



US00D973915S

(12) **United States Design Patent** (10) **Patent No.:** **US D973,915 S**
Fryfogle (45) **Date of Patent:** **** Dec. 27, 2022**

(54) **BUILDING BLOCK**
(71) Applicant: **Vaughn Fryfogle**, Lucedale, MS (US)
(72) Inventor: **Vaughn Fryfogle**, Lucedale, MS (US)
(**) Term: **15 Years**
(21) Appl. No.: **29/779,570**
(22) Filed: **Apr. 20, 2021**
(51) **LOC (13) Cl.** **25-01**
(52) **U.S. Cl.**
USPC **D25/118**
(58) **Field of Classification Search**
USPC D25/113-118
CPC E04B 5/04; E04B 2/00; E04B 2/14; E04B 2/18; E04B 2/20; E04B 1/00; E04B 1/38
See application file for complete search history.

10,781,588 B1 * 9/2020 Nadeau E04C 5/163
2014/0083041 A1 * 3/2014 Fairchild E04C 1/00
52/561
2021/0156147 A1 * 5/2021 Fermanian E04B 2/18

FOREIGN PATENT DOCUMENTS

CN 3070156 * 12/1997
CN 303566767 * 1/2016
GB 2076981 * 5/1999

* cited by examiner

Primary Examiner — Leanne Was-Englehart
(74) *Attorney, Agent, or Firm* — C. Brandon Browning;
Maynard, Cooper & Gale, PC

(57) **CLAIM**

The ornamental design for a building block, as shown and described herein.

DESCRIPTION

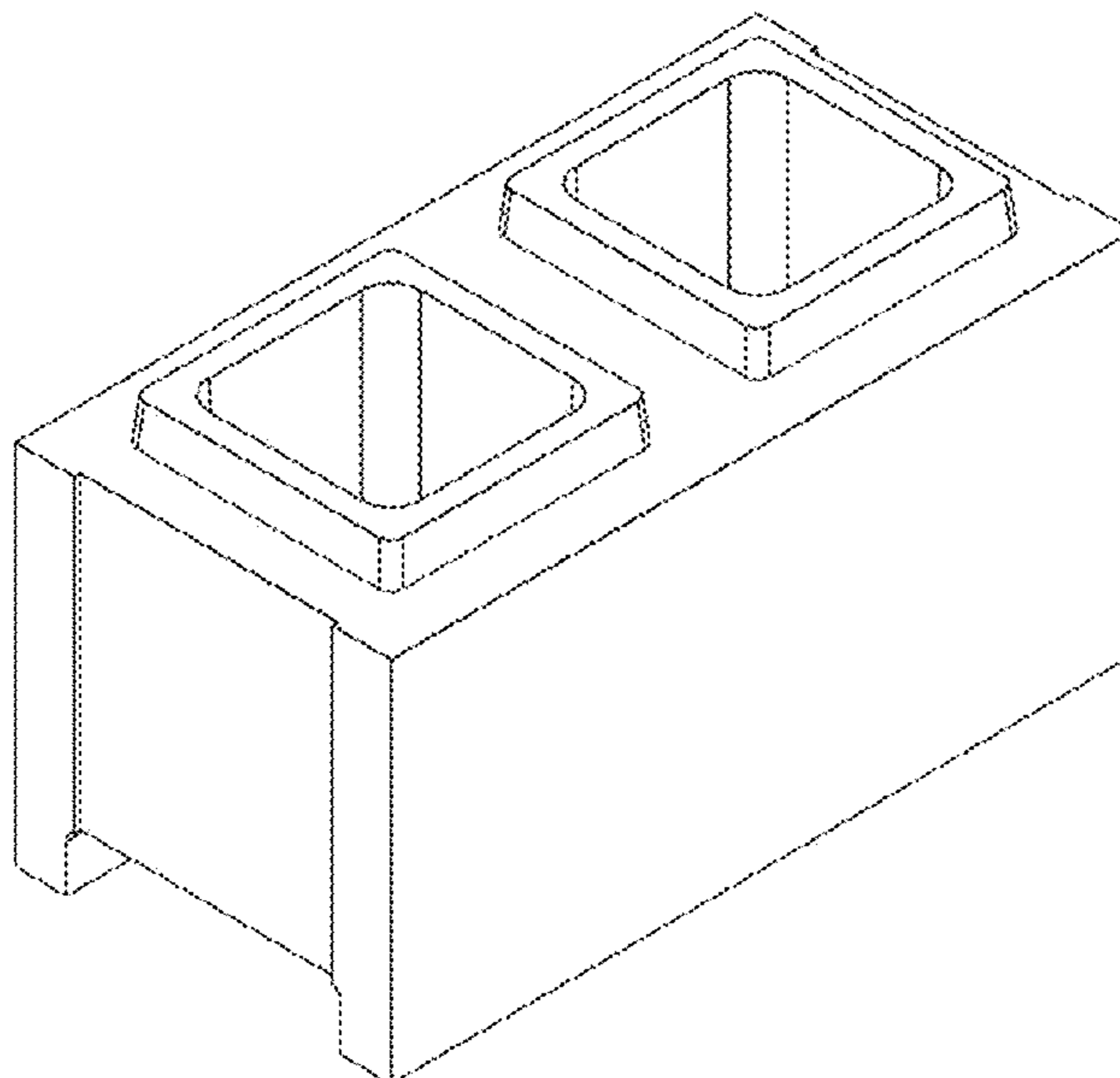
FIG. 1 is a top perspective of the building block.
FIG. 2 is a bottom perspective of the building block of FIG. 1.
FIG. 3 is a top plan view of the building block of FIG. 1.
FIG. 4 is a bottom view of the building block of FIG. 1.
FIG. 5 is a first side elevational view of the building block of FIG. 1.
FIG. 6 is a second side elevational view of the building block of FIG. 1.
FIG. 7 is a first end elevational view of the building block of FIG. 1.
FIG. 8 is a second end elevational view of the building block of FIG. 1.
FIG. 9 is a cross-section view of the building block taken along line 9-9 in FIG. 3; and,
FIG. 10 is cross-section view of the building block taken along line 10-10 in FIG. 3.
The broken lines depict environment that forms no part of the claimed design.

(56) **References Cited**

U.S. PATENT DOCUMENTS

1,552,077 A * 9/1925 Palanti E04B 2/18
52/286
2,131,803 A * 10/1938 Henderson E04B 2/14
52/437
D243,855 S * 3/1977 Hynes D25/118
4,341,050 A * 7/1982 Long E04B 2/24
52/848
4,426,815 A * 1/1984 Brown A63H 33/088
D25/115
4,573,295 A * 3/1986 Wilkinson E04B 2/18
52/747.12
4,573,301 A * 3/1986 Wilkinson E04B 2/18
52/375
D368,313 S * 3/1996 Schulz, Jr. D25/118
D387,431 S * 12/1997 Tremblay D25/113
D408,557 S * 4/1999 Behunin D25/114
D408,930 S * 4/1999 Behunin D25/114
D409,313 S * 5/1999 Behunin D25/114
D686,756 S * 7/2013 Nanayakkara D25/113

1 Claim, 5 Drawing Sheets



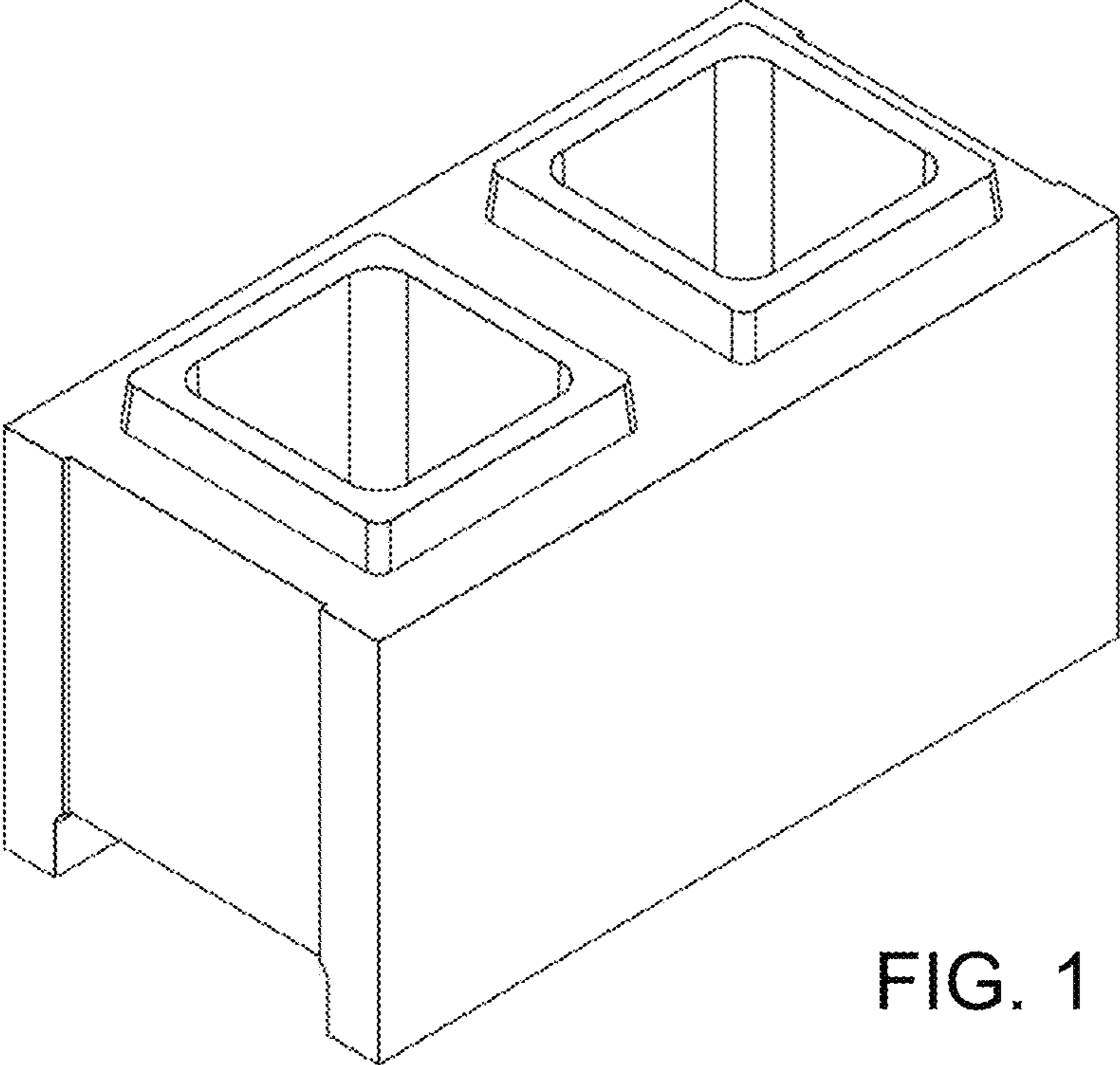


FIG. 1

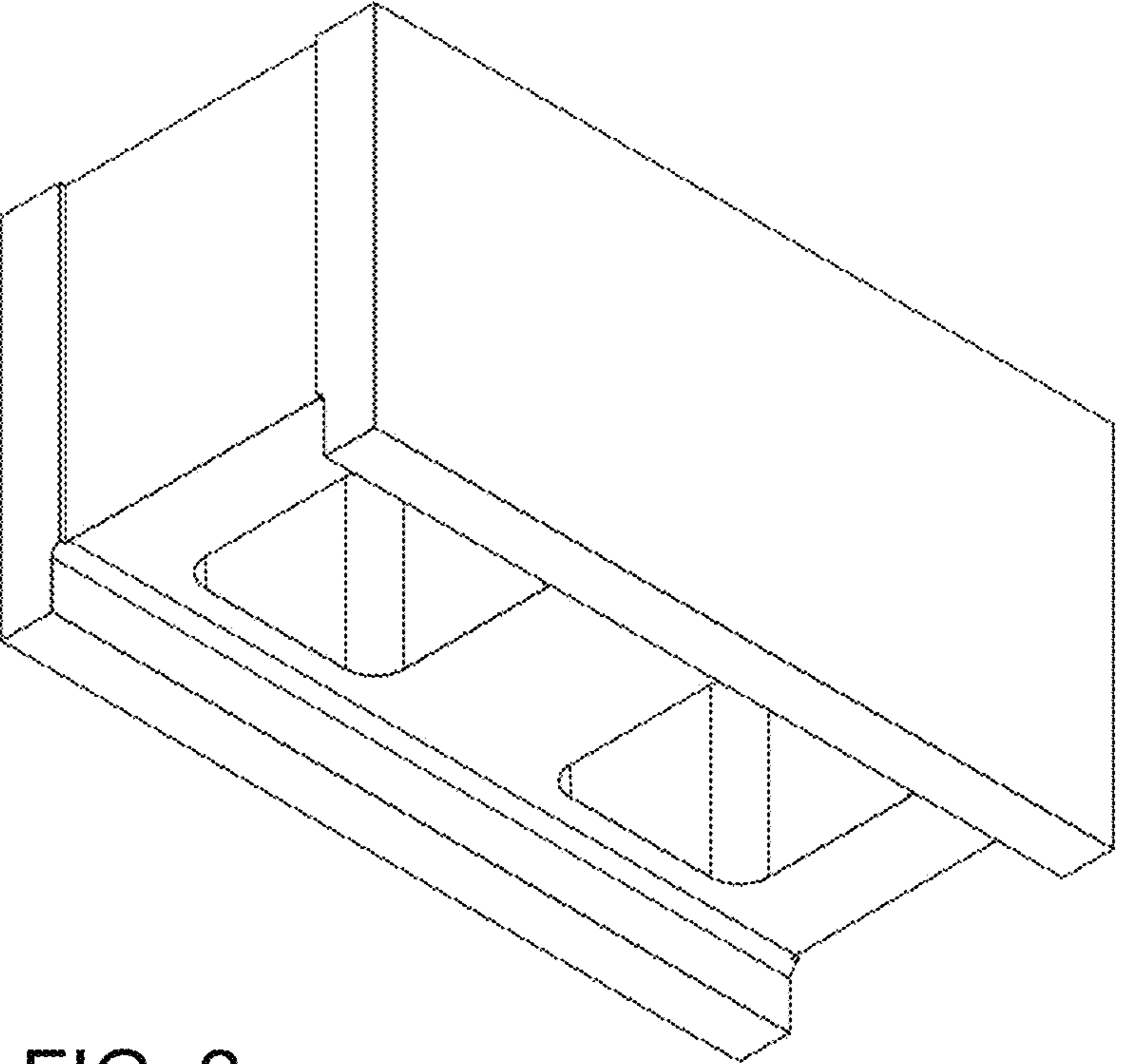


FIG. 2

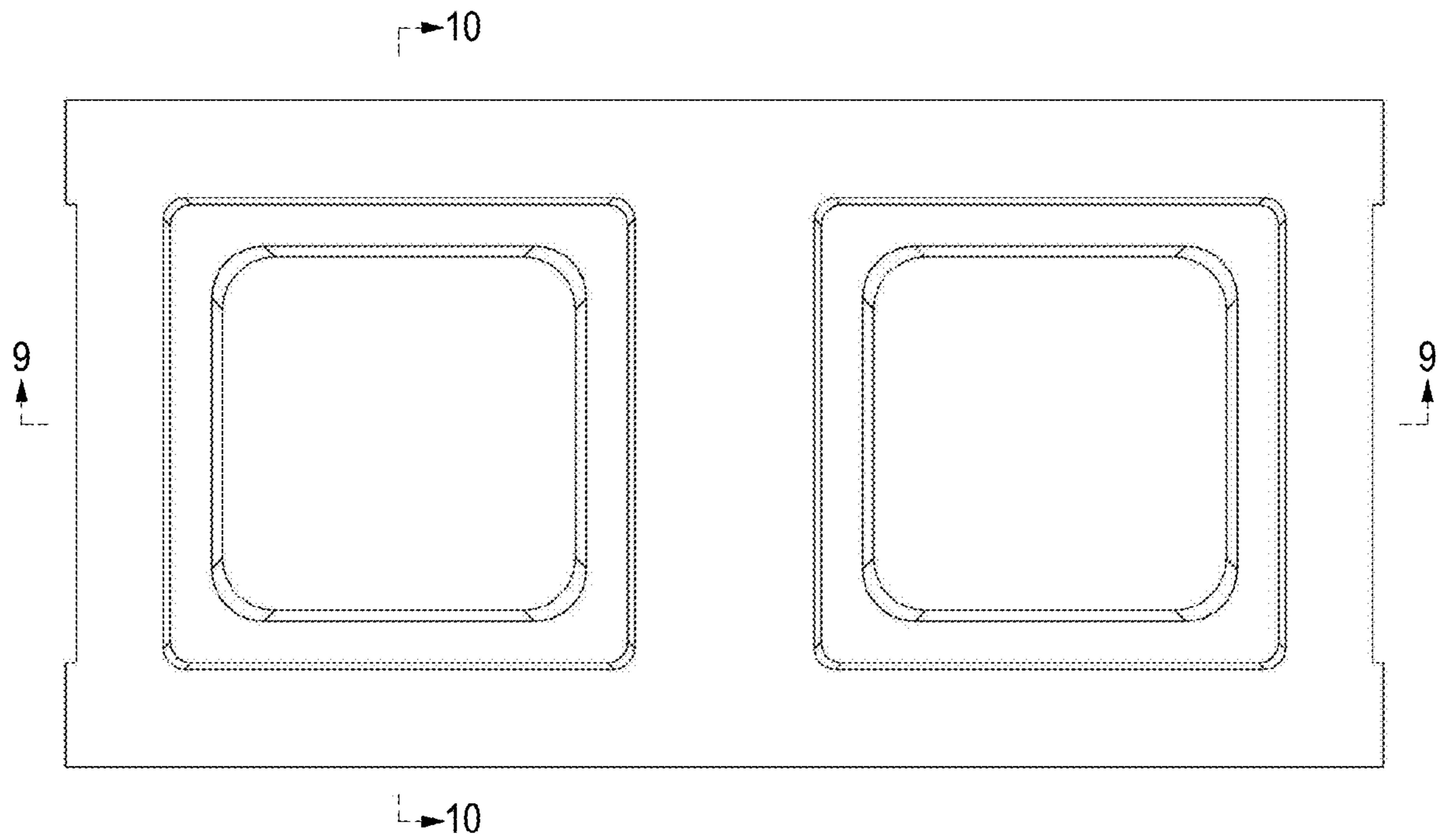


FIG. 3

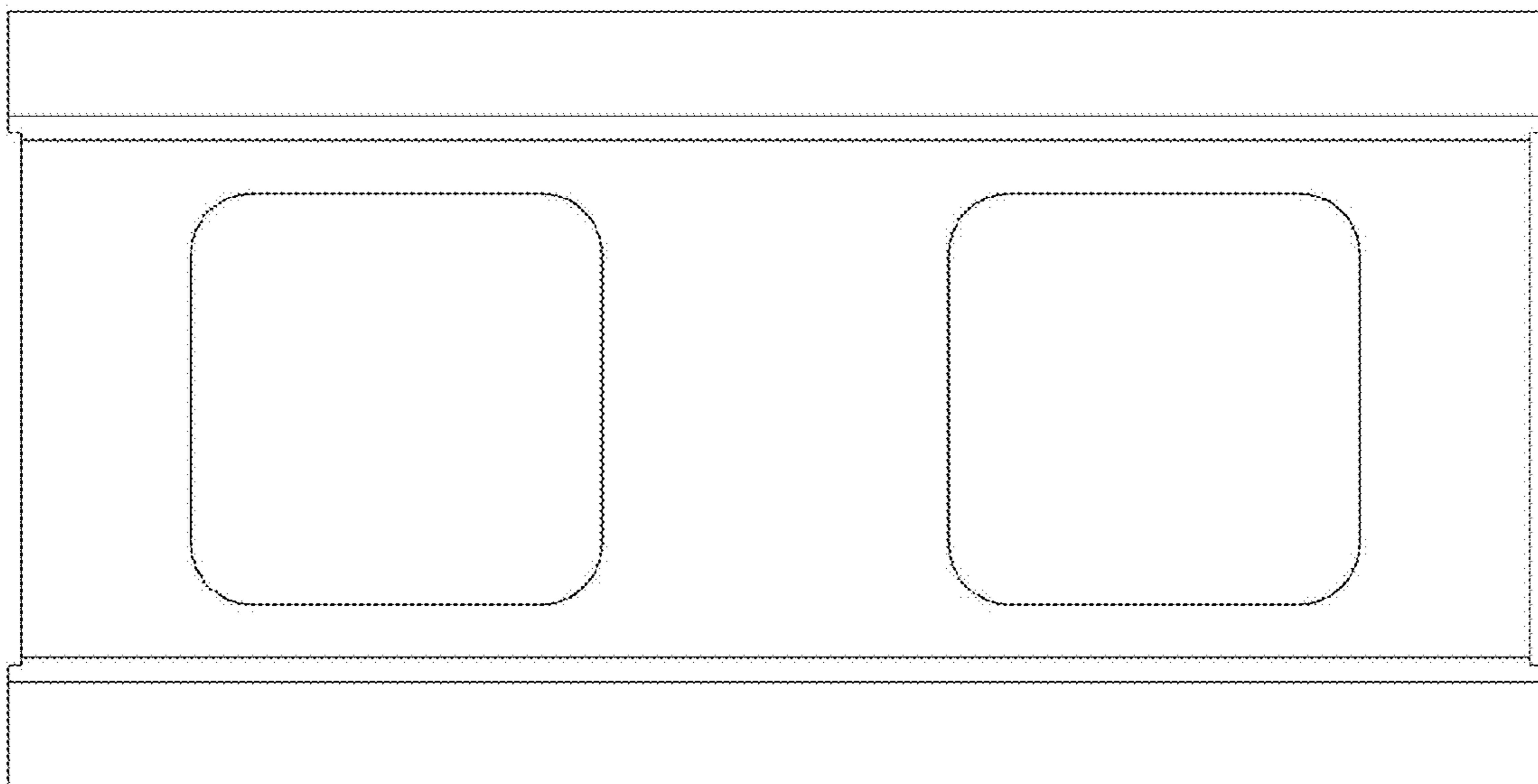


FIG. 4

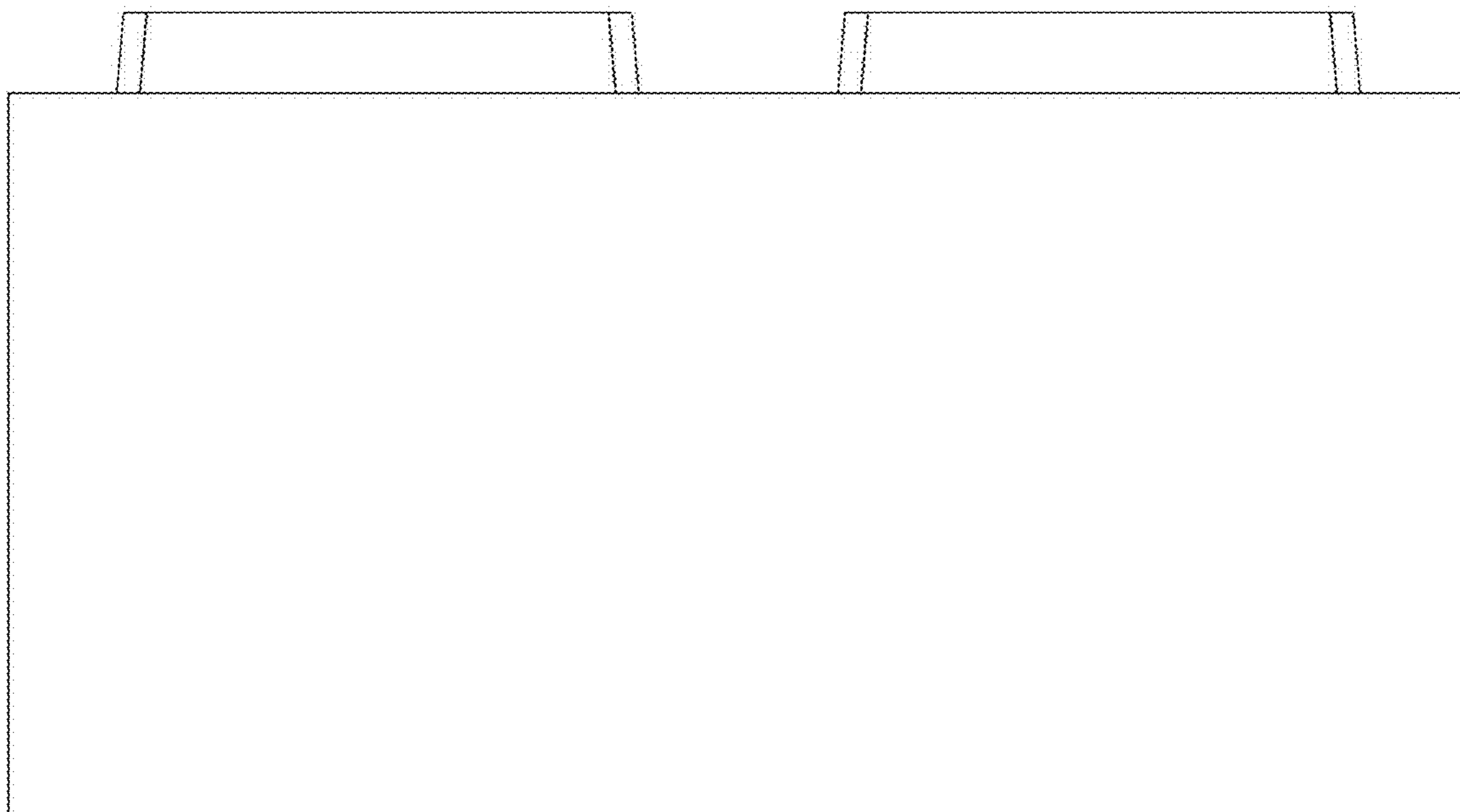


FIG. 5

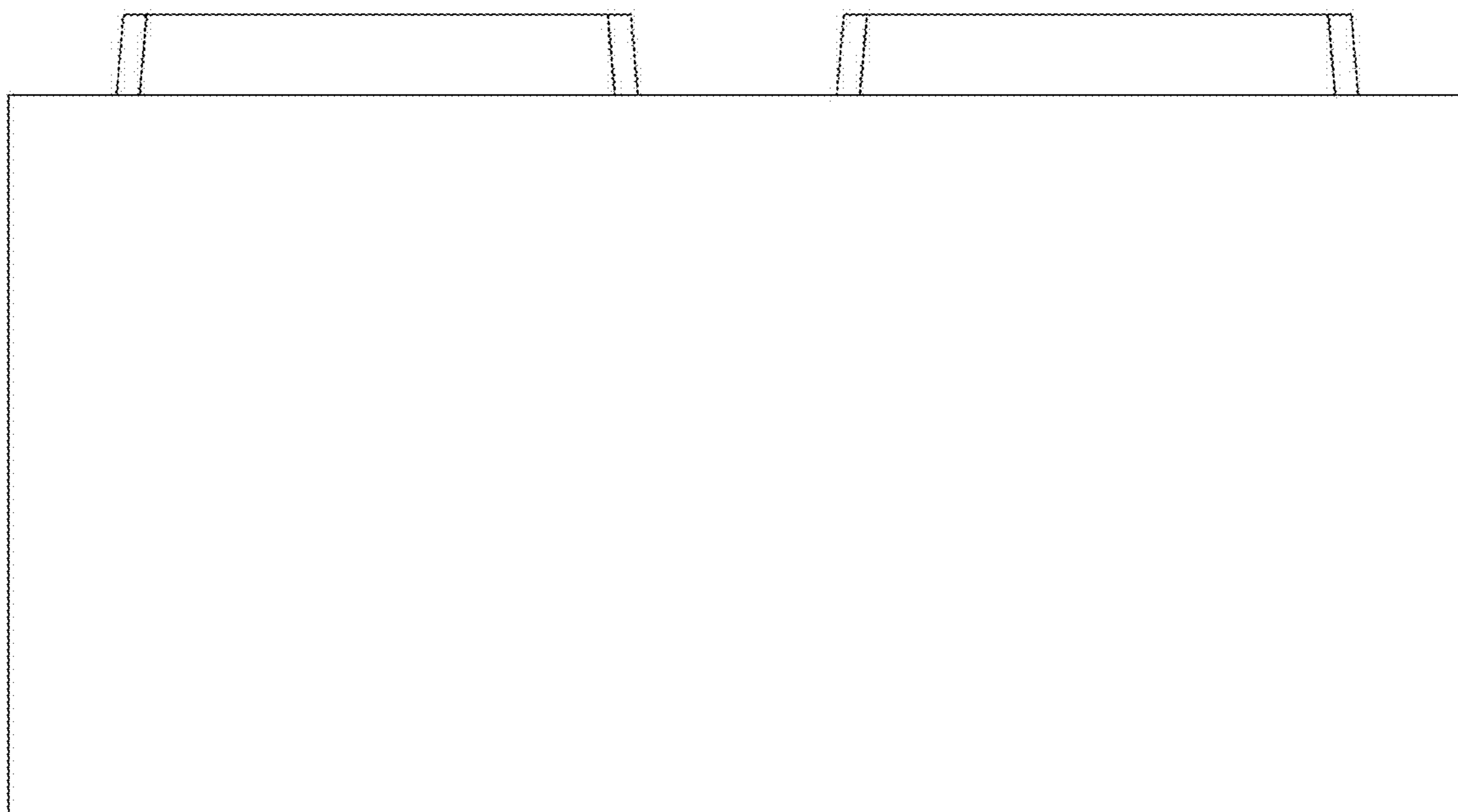


FIG. 6

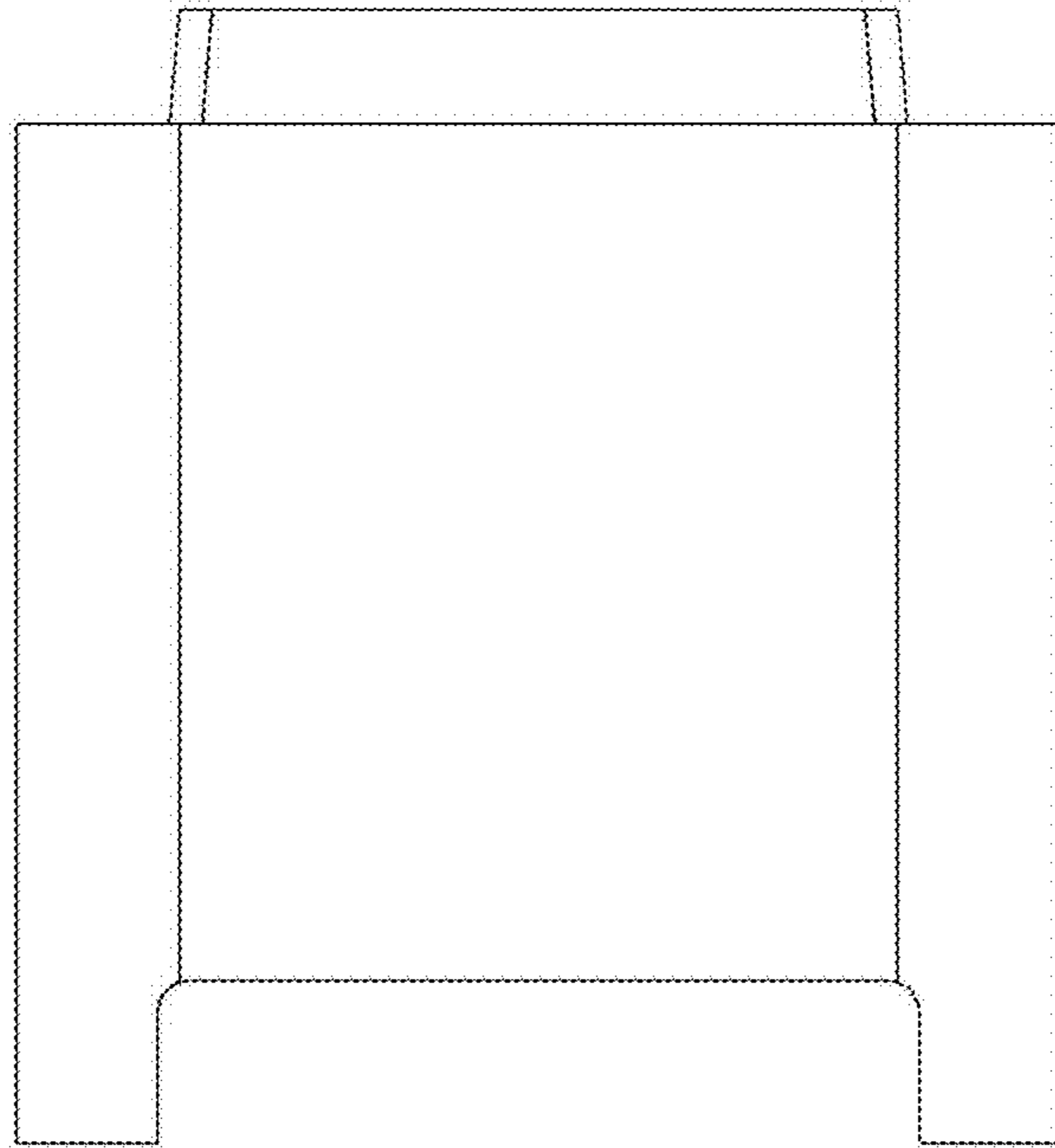


FIG. 7

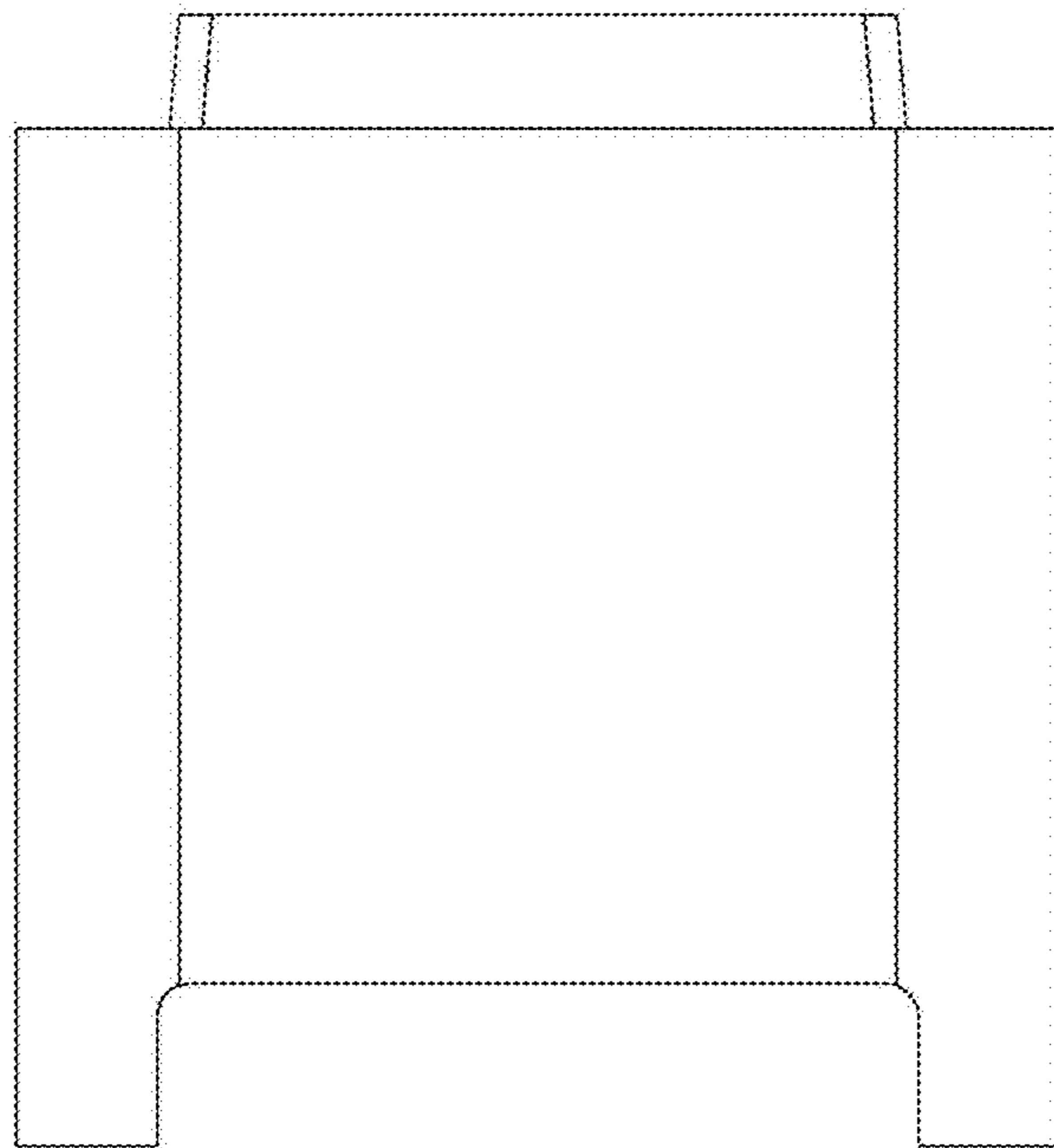


FIG. 8

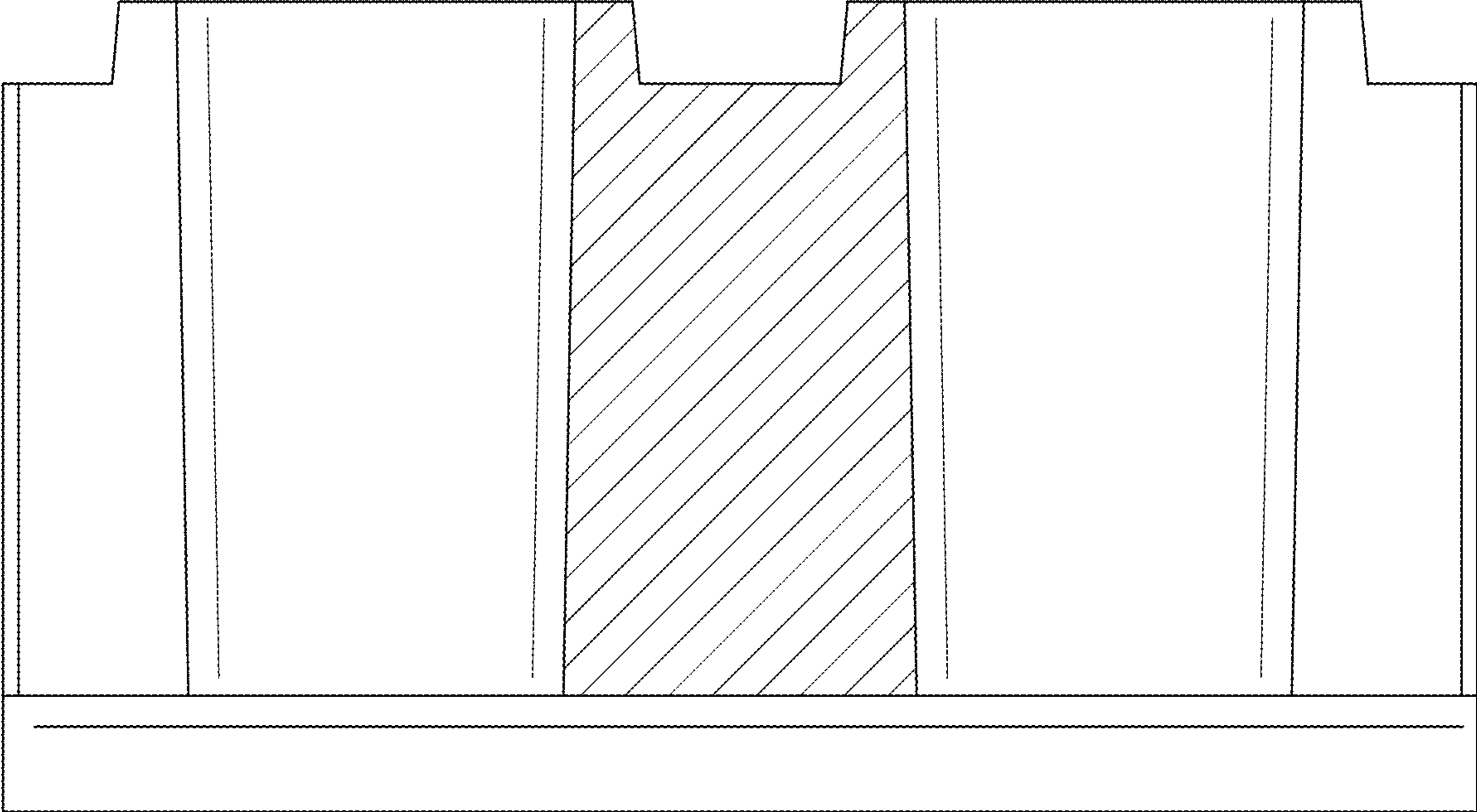


FIG. 9

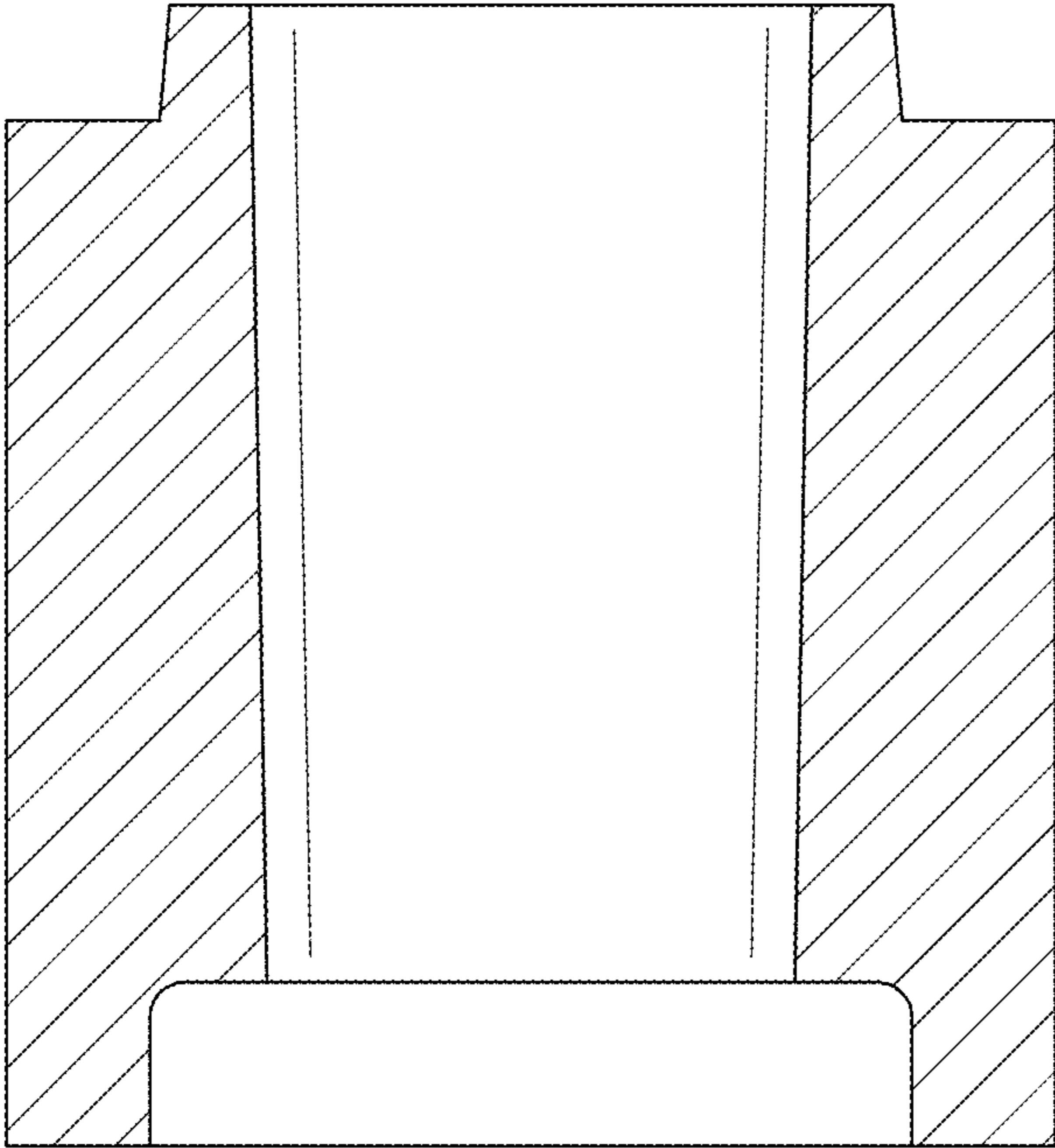


FIG. 10