



US00D973914S

(12) **United States Design Patent**  
**Fryfogle**

(10) **Patent No.:** **US D973,914 S**

(45) **Date of Patent:** **\*\* Dec. 27, 2022**

(54) **BUILDING BLOCK**

(71) Applicant: **Vaughn Fryfogle**, Lucedale, MS (US)

(72) Inventor: **Vaughn Fryfogle**, Lucedale, MS (US)

(\*\*) Term: **15 Years**

(21) Appl. No.: **29/779,564**

(22) Filed: **Apr. 20, 2021**

(51) **LOC (13) Cl.** ..... **25-01**

(52) **U.S. Cl.**  
USPC ..... **D25/118**

(58) **Field of Classification Search**  
USPC ..... D25/113–118  
CPC ..... E04B 5/04; E04B 2/00; E04B 2/14; E04B 2/18; E04B 2/20; E04B 1/00; E04B 1/38  
See application file for complete search history.

(56) **References Cited**

U.S. PATENT DOCUMENTS

1,552,077	A *	9/1925	Palanti	.....	E04B 2/18 52/286
2,131,803	A *	10/1938	Henderson	.....	E04B 2/14 52/437
D243,855	S *	3/1977	Hynes	.....	D25/118
4,341,050	A *	7/1982	Long	.....	E04B 2/24 52/848
4,426,815	A *	1/1984	Brown	.....	A63H 33/088 D25/115
4,573,295	A *	3/1986	Wilkinson	.....	E04B 2/18 52/747.12
4,573,301	A *	3/1986	Wilkinson	.....	E04B 2/18 52/375
D368,313	S *	3/1996	Schulz, Jr.	.....	D25/118
D387,431	S *	12/1997	Tremblay	.....	D25/113
D408,557	S *	4/1999	Behunin	.....	D25/114
D408,930	S *	4/1999	Behunin	.....	D25/114
D409,313	S *	5/1999	Behunin	.....	D25/114
D686,756	S *	7/2013	Nanayakkara	.....	D25/113

10,781,588	B1 *	9/2020	Nadeau	.....	E04C 5/163
2014/0083041	A1 *	3/2014	Fairchild	.....	E04C 1/00 52/561
2021/0156147	A1 *	5/2021	Fermanian	.....	E04B 2/18

FOREIGN PATENT DOCUMENTS

CN	3070156	*	12/1997
CN	303566767	*	1/2016
GB	2076981	*	5/1999

\* cited by examiner

*Primary Examiner* — Leanne Was-Englehart

(74) *Attorney, Agent, or Firm* — C. Brandon Browning;  
Maynard, Cooper & Gale, PC

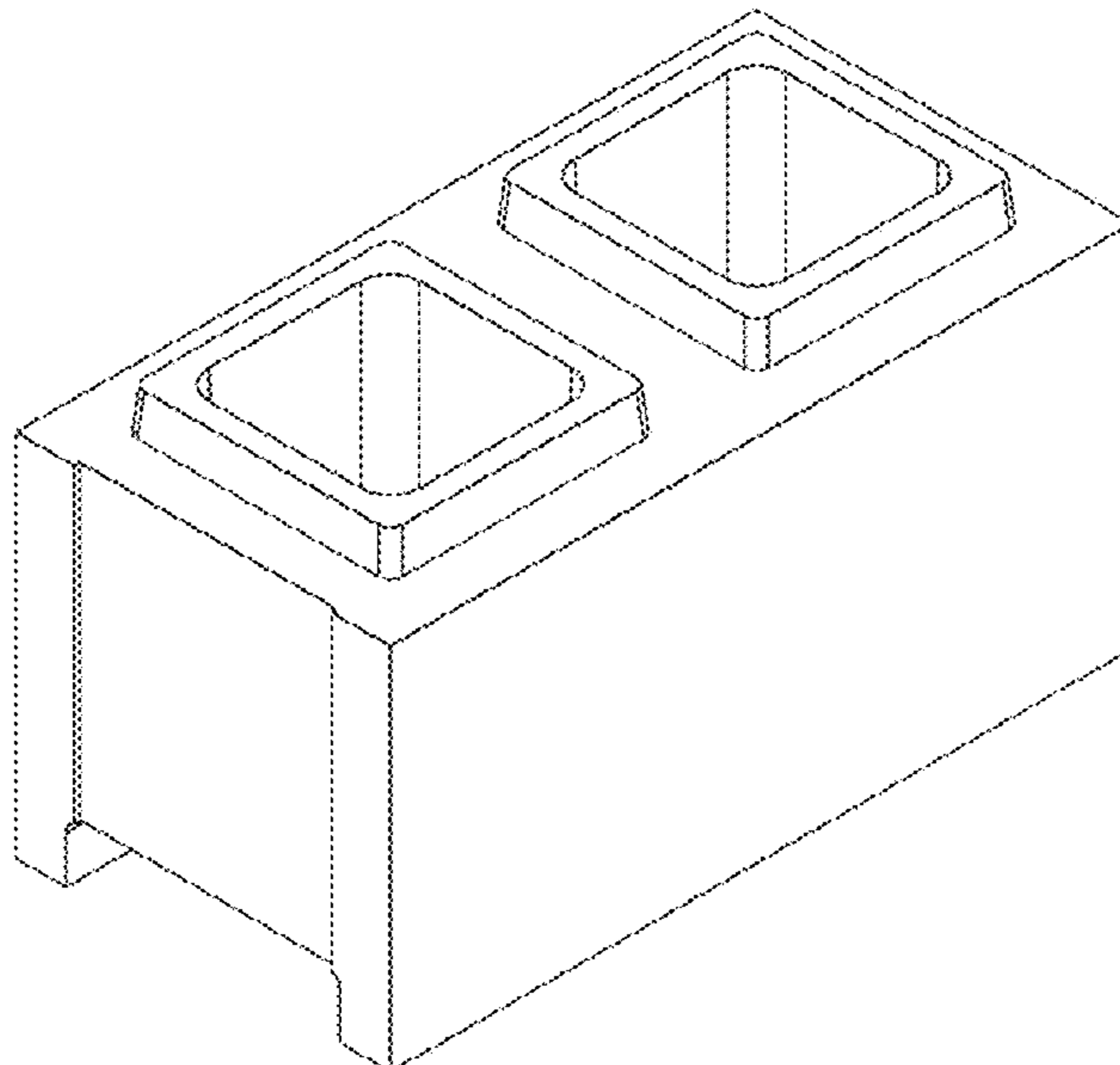
(57) **CLAIM**

The ornamental design for a building block, as shown and described herein.

**DESCRIPTION**

FIG. 1 is a top perspective of the building block.  
 FIG. 2 is a bottom perspective of the building block of FIG. 1.  
 FIG. 3 is a top plan view of the building block of FIG. 1.  
 FIG. 4 is a bottom view of the building block of FIG. 1.  
 FIG. 5 is a first side elevational view of the building block of FIG. 1.  
 FIG. 6 is a second side elevational view of the building block of FIG. 1.  
 FIG. 7 is a first end elevational view of the building block of FIG. 1.  
 FIG. 8 is a second end elevational view of the building block of FIG. 1.  
 FIG. 9 is a cross-section view of the building block taken along line 9-9 in FIG. 3; and,  
 FIG. 10 is cross-section view of the building block taken along line 10-10 in FIG. 3.  
 The broken lines depict environment that forms no part of the claimed design.

**1 Claim, 5 Drawing Sheets**



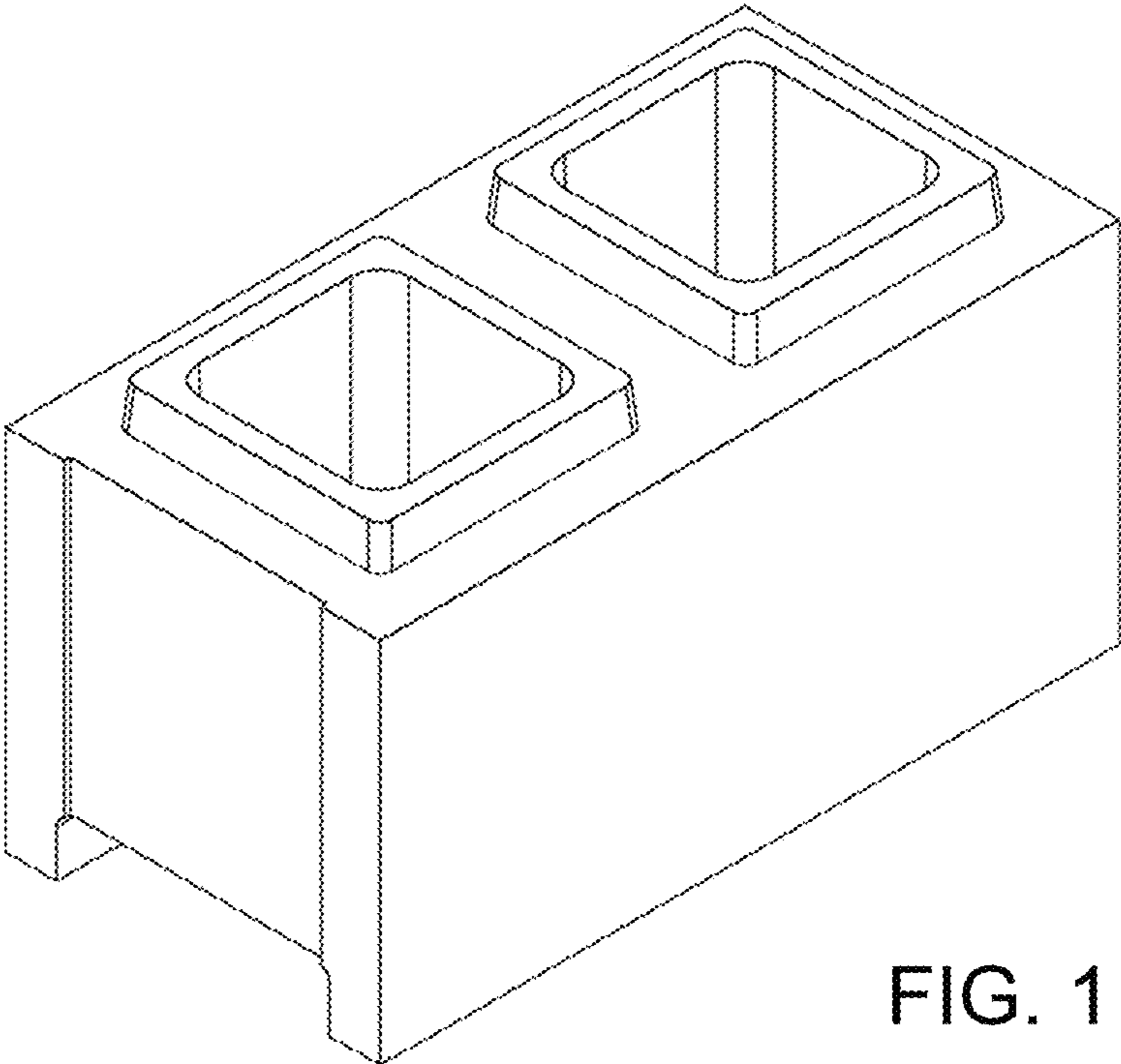


FIG. 1

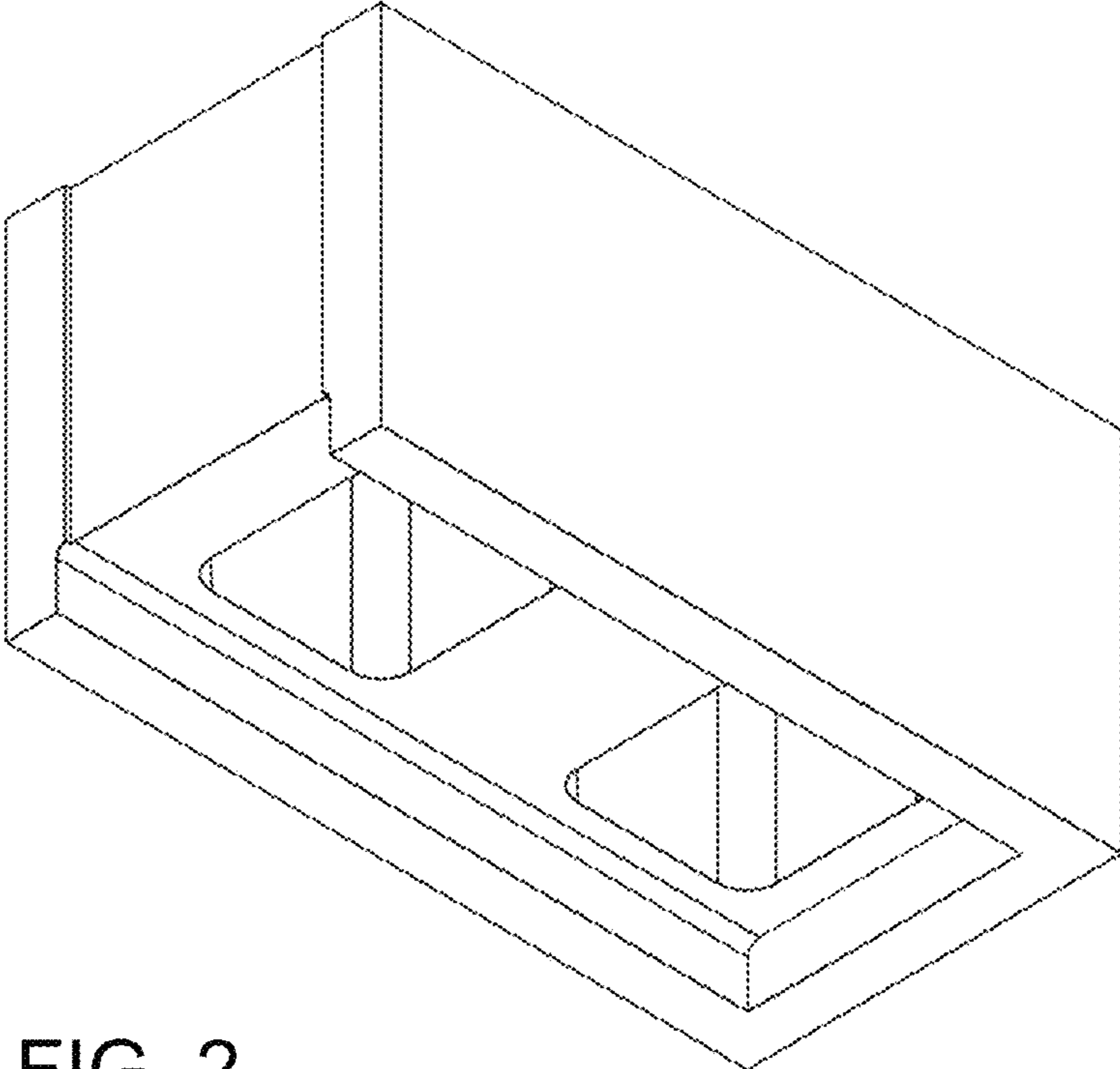


FIG. 2

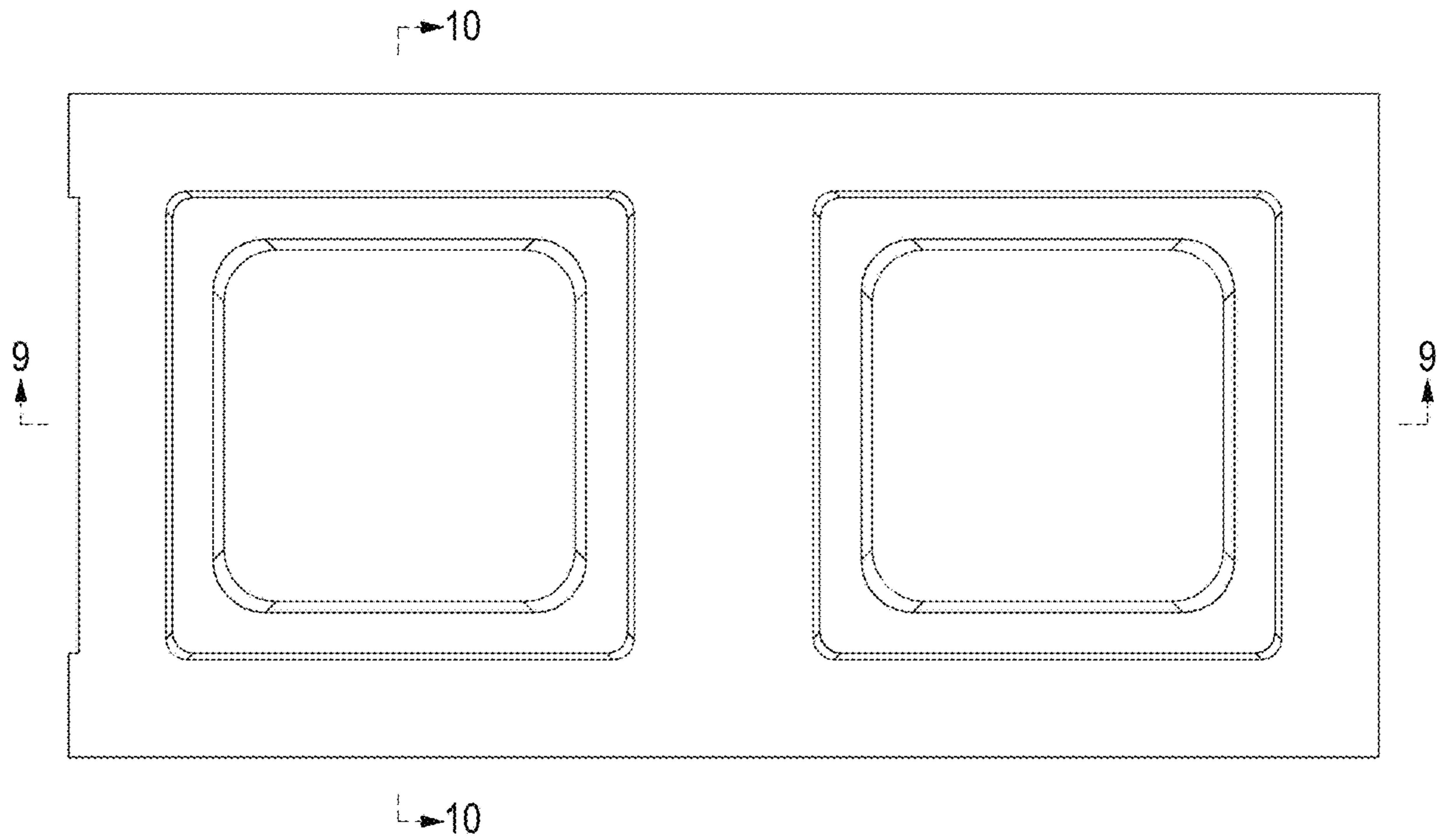


FIG. 3

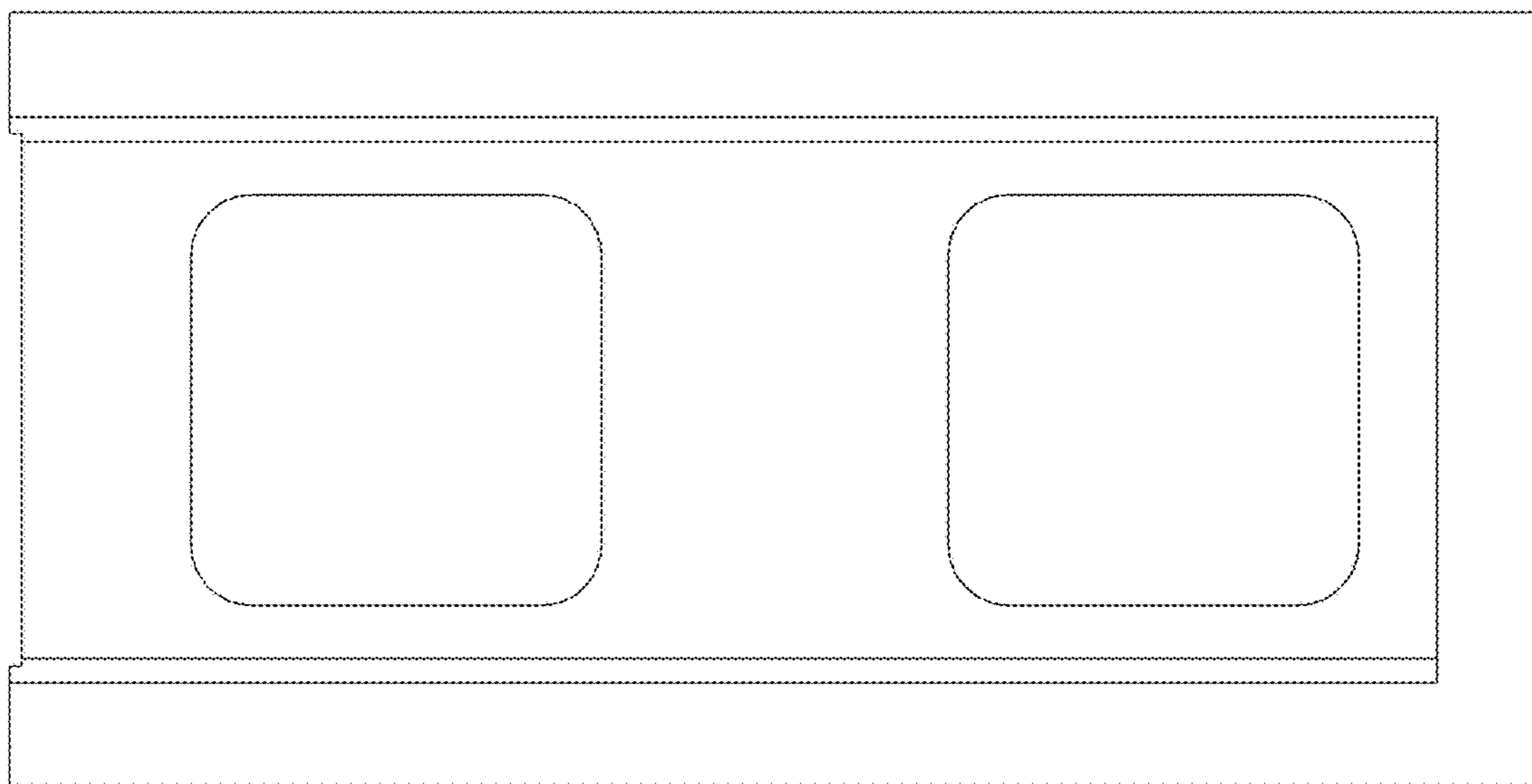


FIG. 4

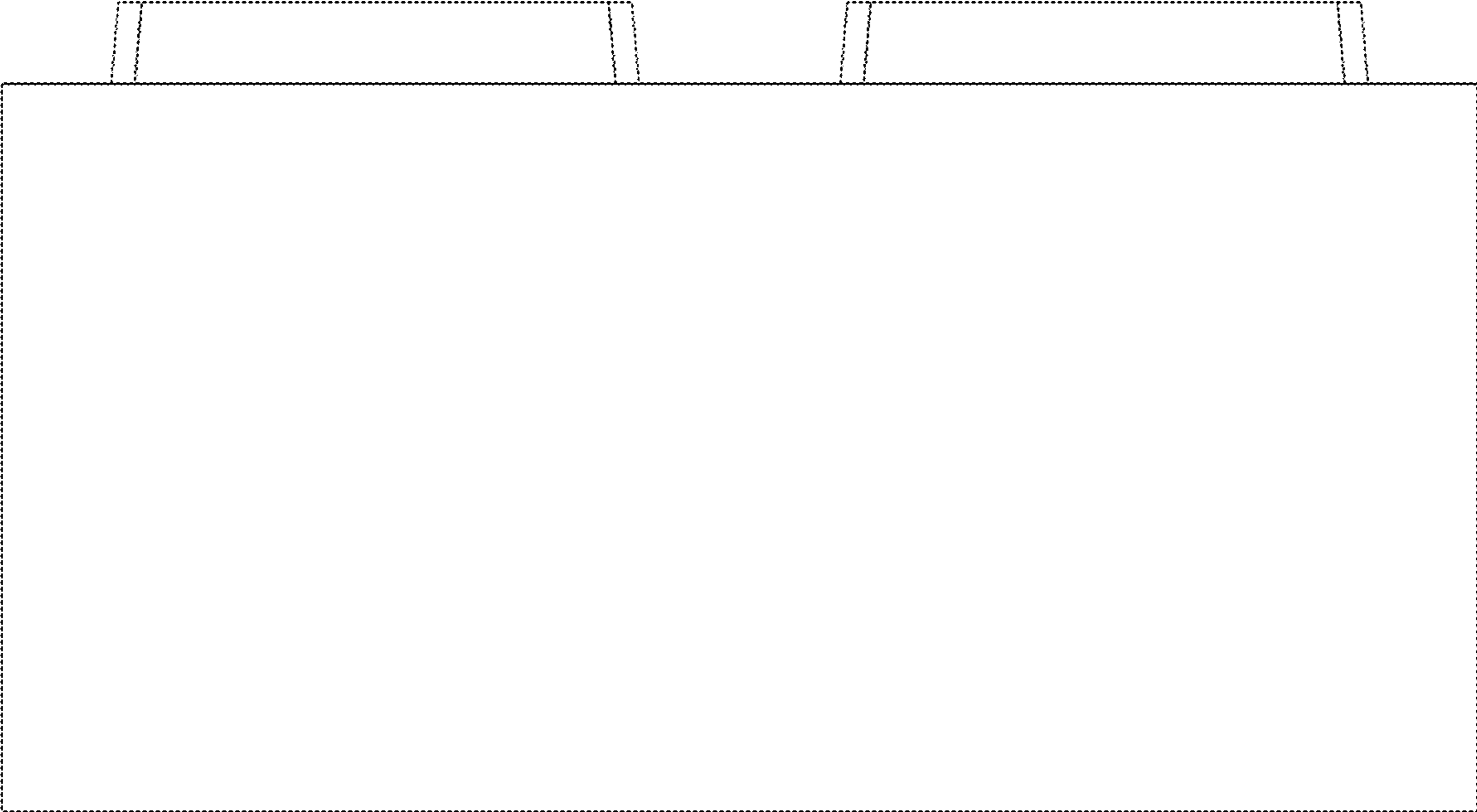


FIG. 5

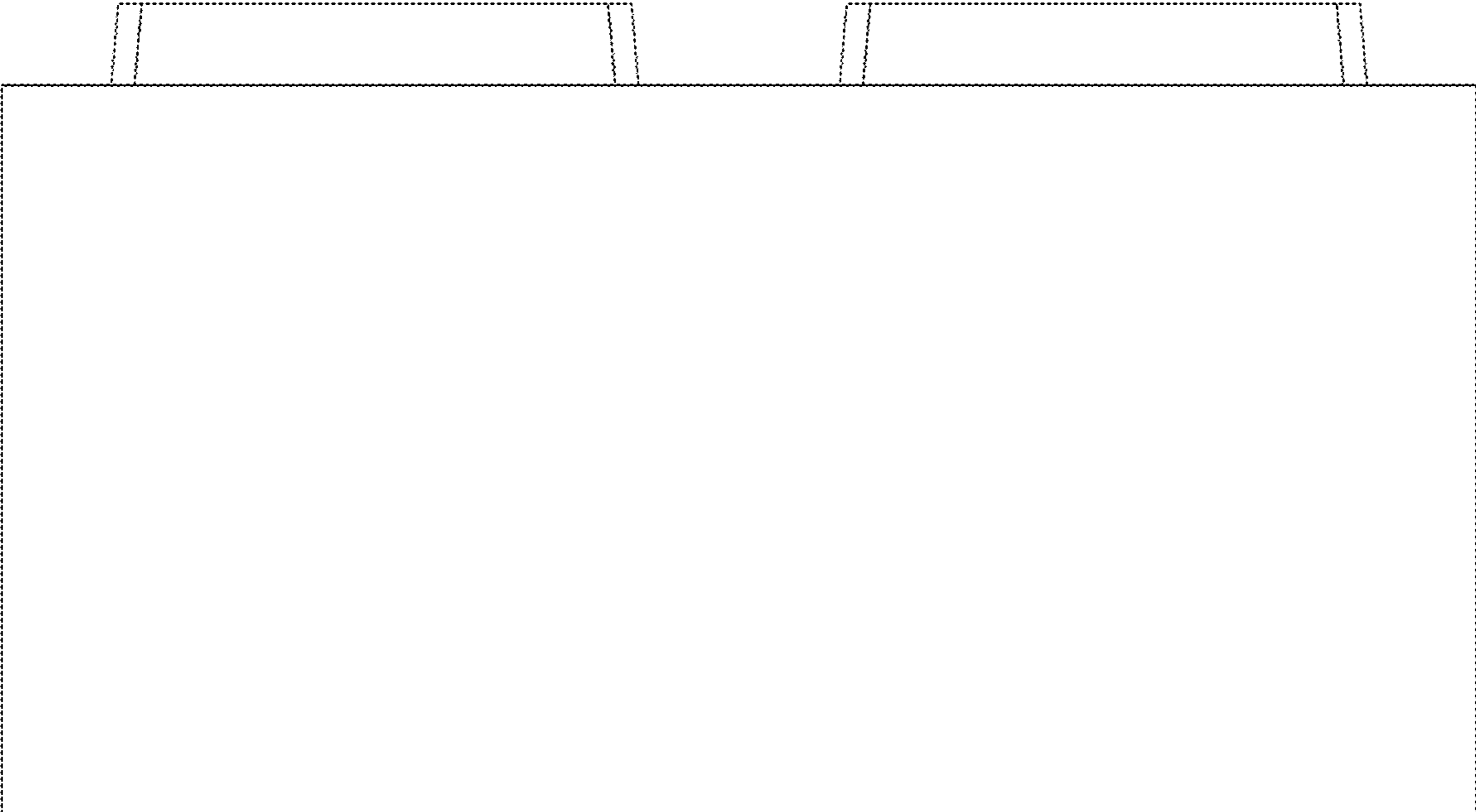


FIG. 6

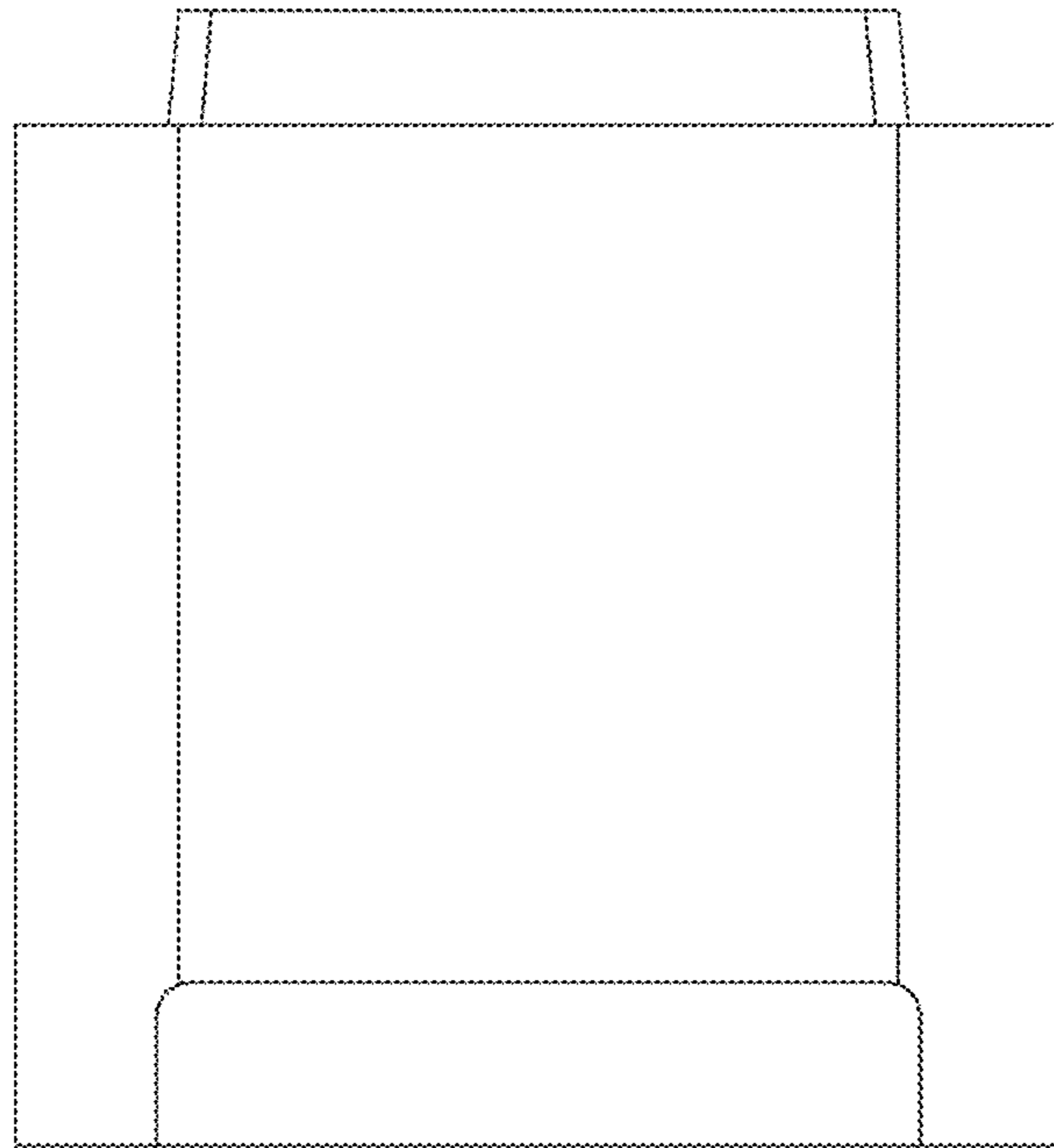


FIG. 7

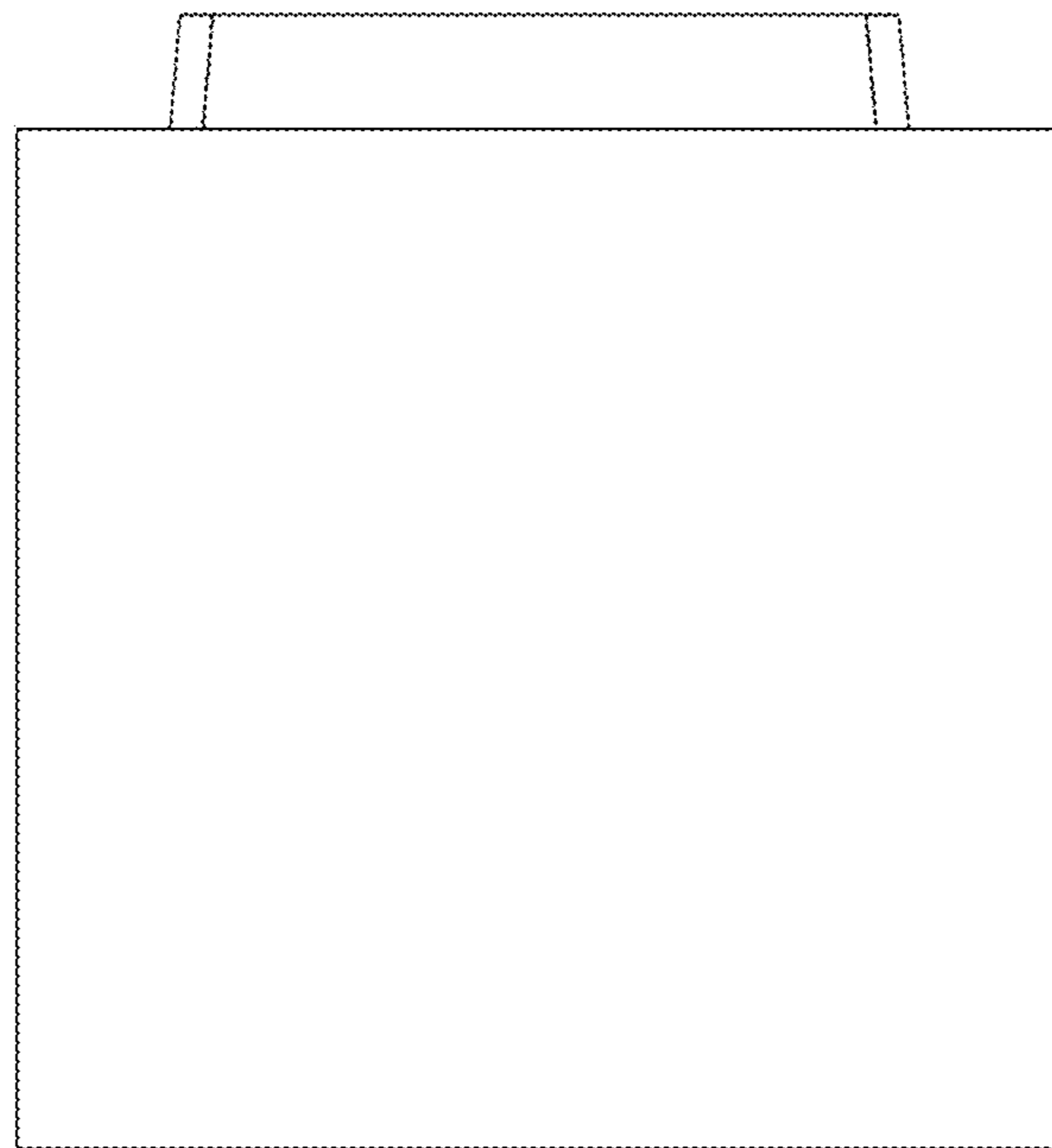


FIG. 8

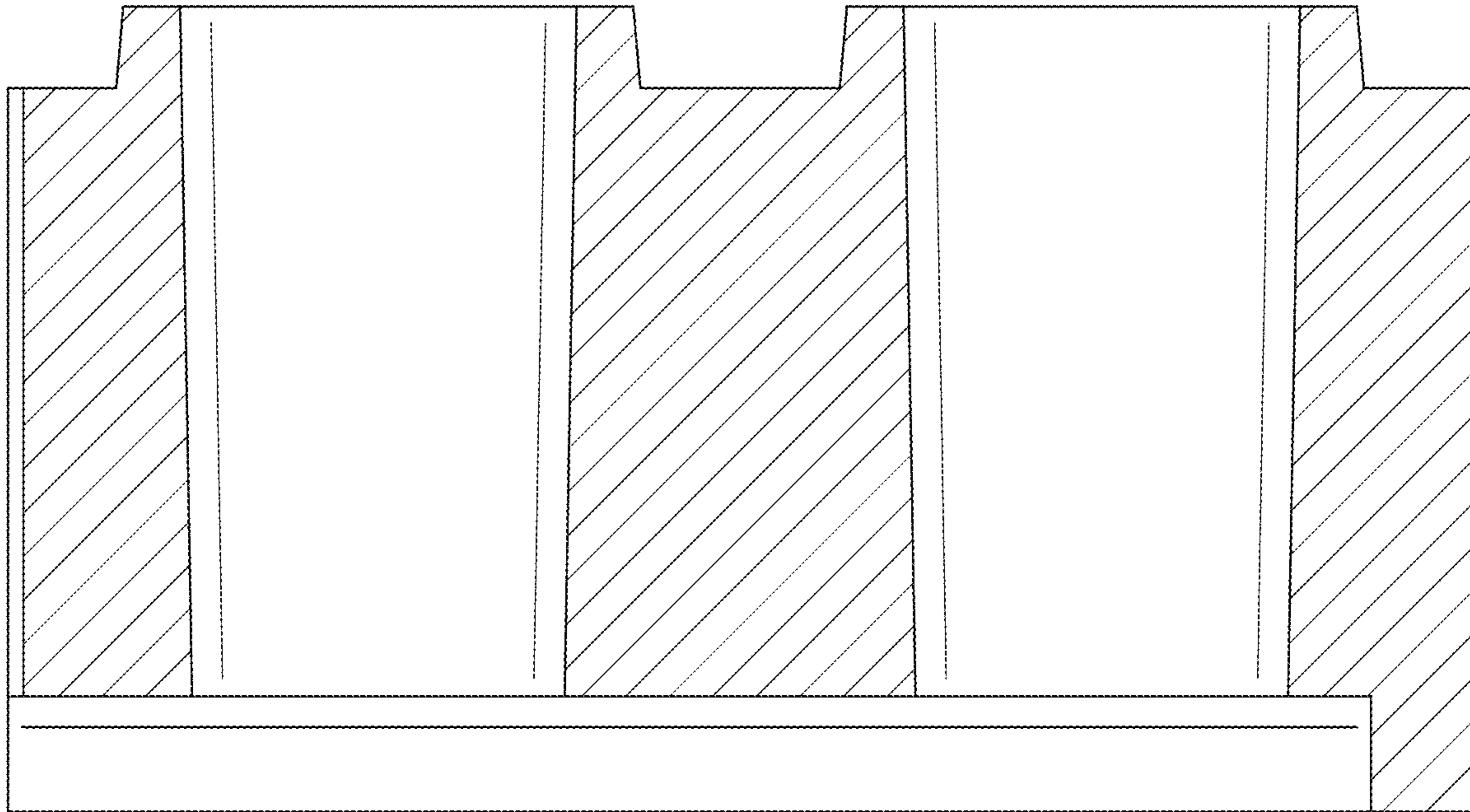


FIG. 9

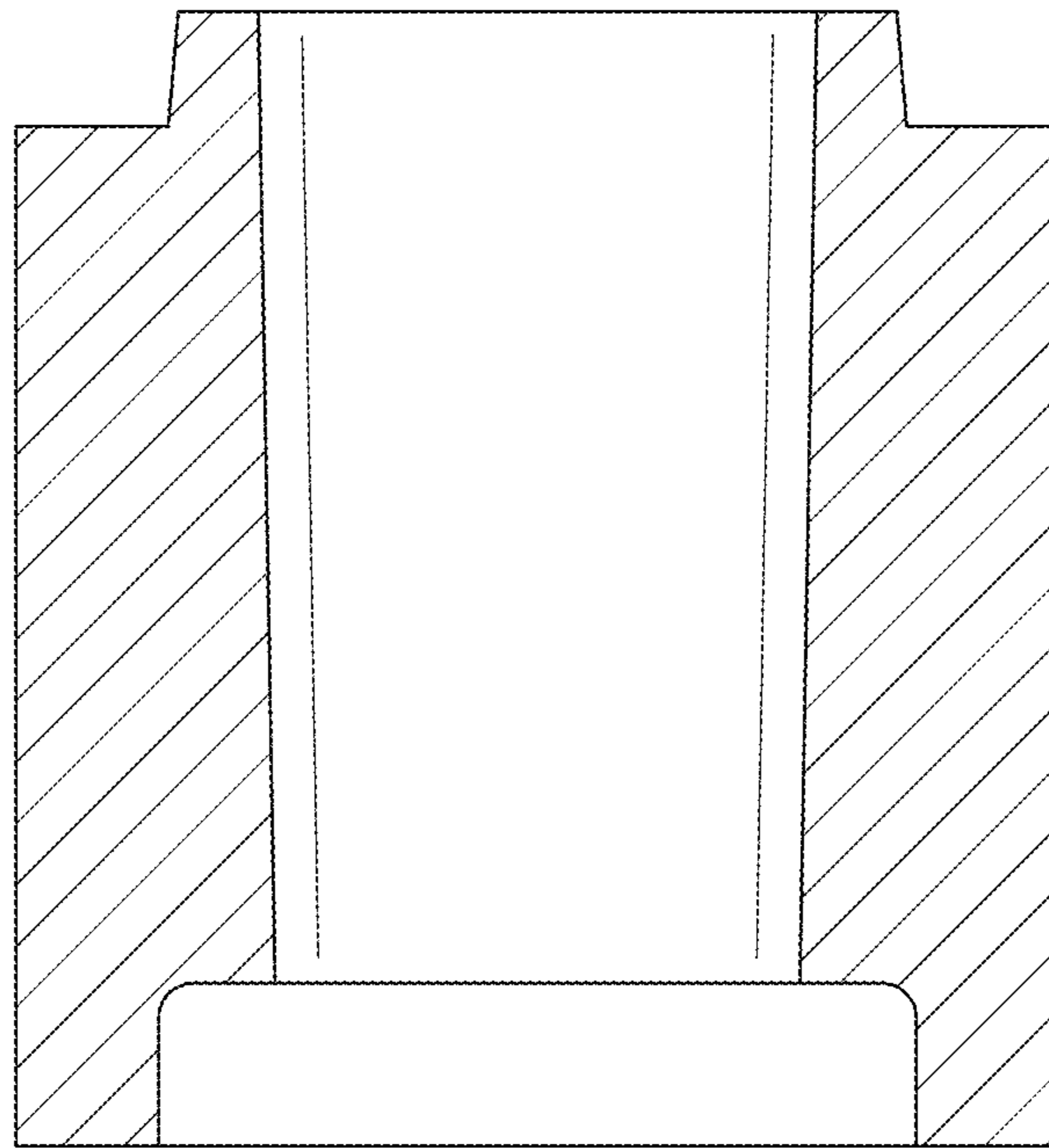


FIG. 10