



US00D973913S

(12) **United States Design Patent** (10) **Patent No.:** **US D973,913 S**
Baltz, Jr. et al. (45) **Date of Patent:** **** Dec. 27, 2022**

(54) **BELOW TOP OF WALL VENTILATION SCREED DEVICE**

FOREIGN PATENT DOCUMENTS

(71) Applicant: **Alabama Metal Industries Corporation**, Birmingham, AL (US)

AU 2008202082 A1 11/2008
CA 2777166 C 8/2019

(Continued)

(72) Inventors: **Gary George Baltz, Jr.**, Mountain Brook, AL (US); **Frederic C. Mayer, Jr.**, Hoover, AL (US)

OTHER PUBLICATIONS

From U.S. Appl. No. 15/446,732—cited as “Prior Art Weep Screed from Google Search 1 page: dated 2004”.

(Continued)

(73) Assignee: **ALABAMA METAL INDUSTRIES CORPORATION**, Birmingham, AL (US)

Primary Examiner — Llorellys Martinez

(74) *Attorney, Agent, or Firm* — Honigman LLP

(**) Term: **15 Years**

(21) Appl. No.: **29/790,946**

(57) **CLAIM**

The ornamental design for a below top of wall ventilation screed device, as shown and described.

(22) Filed: **Dec. 22, 2021**

Related U.S. Application Data

DESCRIPTION

(63) Continuation of application No. 29/671,370, filed on Nov. 27, 2018, now Pat. No. Des. 940,349.

(51) **LOC (13) Cl.** **25-01**

(52) **U.S. Cl.**
USPC **D25/102**; D25/164

(58) **Field of Classification Search**
USPC D25/102, 119–123, 136, 137, 164, 199;
D23/386, 389; D15/28, 32
CPC E04F 19/02; E04F 19/04; E04F 2019/044;
E04F 2019/0445; E04F 13/00; E04F 13/007; E04B 1/70; E04B 1/7038; E04B 1/7069; E04B 1/7076; E04D 13/00; E04D 13/0445; E04D 13/0459; E04D 13/0481
See application file for complete search history.

FIG. 1 is a top elevation view of the below top of wall ventilation screed device;
FIG. 2 is a front view of the below top of wall ventilation screed device;
FIG. 3 is a back view of the below top of wall ventilation screed device;
FIG. 4 is a left side view of the below top of wall ventilation screed device;
FIG. 5 is a right side view of the below top of wall ventilation screed device;
FIG. 6 is a top side view of the below top of wall ventilation screed device;
FIG. 7 is a bottom side view of the below top of wall ventilation screed device; and,
FIG. 8 is an elevation view of the back side of the below top of wall ventilation screed device.
The broken lines in FIGS. 1-4, 6, and 8 represent portions of the below top of wall ventilation screed device that form no part of the claimed design.

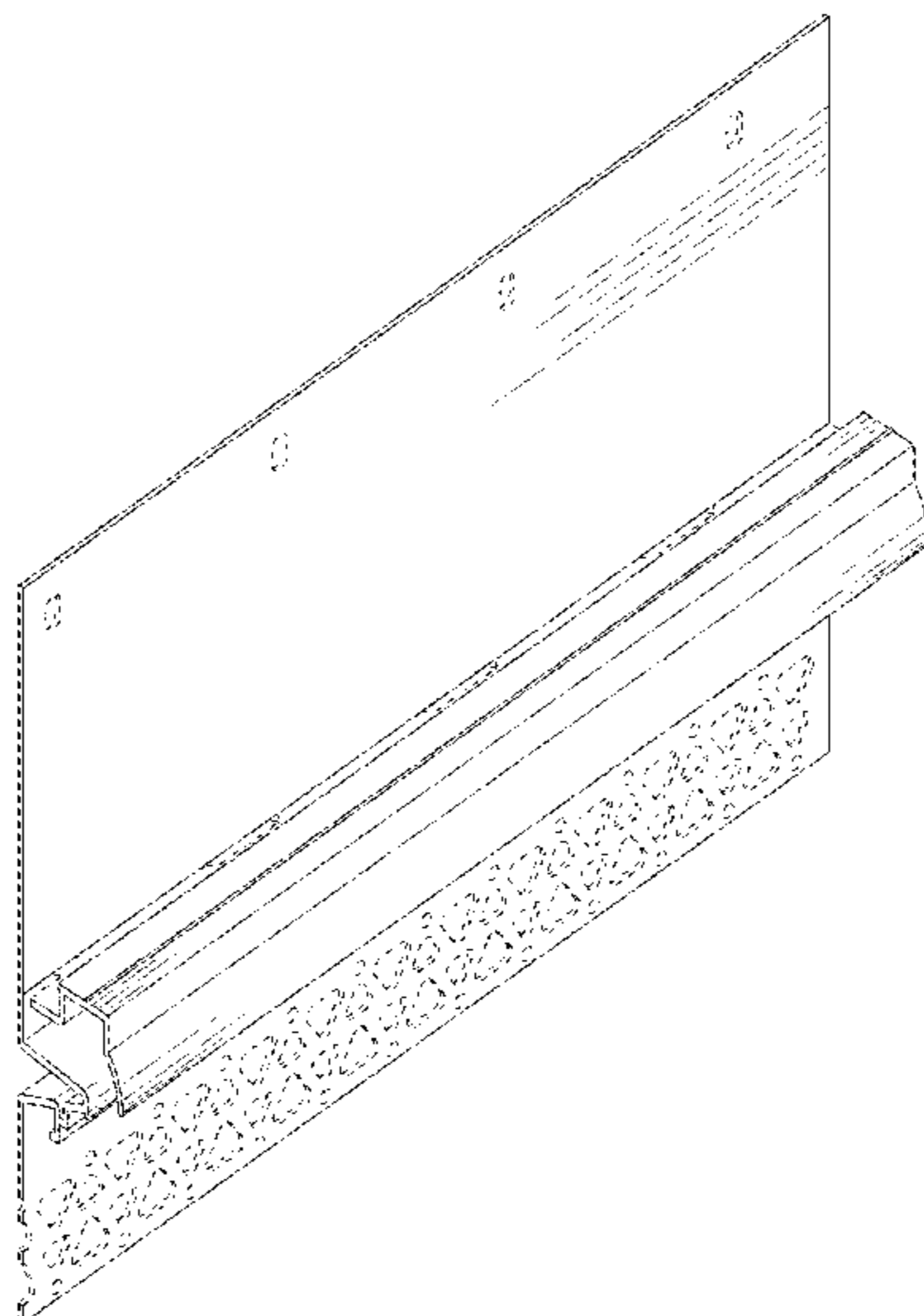
(56) **References Cited**

U.S. PATENT DOCUMENTS

D26,201 S 10/1896 Turner
1,170,968 A 2/1916 Elgin

(Continued)

1 Claim, 5 Drawing Sheets



(56)

References Cited

U.S. PATENT DOCUMENTS

1,204,955 A 11/1916 Day
 1,676,582 A 7/1928 Stuart
 2,151,605 A 3/1939 Lavering
 2,245,965 A 6/1941 Hyman
 2,272,762 A 2/1942 Awbrey
 D151,022 S 9/1948 Weber et al.
 D164,420 S * 9/1951 Hodgman D23/389
 2,645,824 A 7/1953 Titsworth
 3,206,806 A 9/1965 Powell
 3,343,323 A 9/1967 Mayfield
 3,375,623 A 4/1968 Buhler
 3,383,818 A 5/1968 Tatum
 3,568,391 A 3/1971 Conway
 3,606,714 A 9/1971 Arnett
 3,667,174 A 6/1972 Arnett
 3,754,367 A 8/1973 O’Konski et al.
 3,964,220 A 6/1976 Rutkowski et al.
 4,624,087 A 11/1986 Schneller
 4,651,488 A 3/1987 Nicholas et al.
 4,785,601 A 11/1988 Tupman
 D299,963 S 2/1989 Callahan
 4,924,647 A 5/1990 Drucker
 5,063,720 A 11/1991 Bifano et al.
 5,263,294 A 11/1993 Koenig et al.
 D344,596 S 2/1994 McArthur
 D345,268 S 3/1994 Pate
 5,423,154 A 6/1995 Maylon et al.
 5,579,617 A 12/1996 Schiedegger
 5,579,623 A 12/1996 Stark et al.
 5,630,297 A 5/1997 Rutherford
 5,694,723 A 12/1997 Parker
 5,761,866 A 6/1998 Maylon
 5,809,731 A 9/1998 Reiss
 5,836,135 A 11/1998 Hagan et al.
 5,950,385 A 9/1999 Herren
 6,018,924 A 2/2000 Tamlyn
 6,119,429 A 9/2000 Bifano
 6,293,064 B1 9/2001 Larson
 6,298,609 B1 10/2001 Bifano
 6,308,470 B1 10/2001 Durkovic
 D456,528 S 4/2002 Maylon et al.
 6,385,932 B1 5/2002 Melchiori
 D459,007 S 6/2002 Campacci
 6,410,118 B1 6/2002 Reicherts
 6,470,638 B1 10/2002 Larson
 6,474,032 B1 11/2002 Wynn
 D471,991 S 3/2003 Maylon et al.
 6,574,936 B1 6/2003 Anderson, Sr.
 D477,420 S 7/2003 Butcher
 6,609,341 B2 8/2003 Maylon et al.
 6,792,725 B1 9/2004 Rutherford
 6,823,633 B2 11/2004 Ryan
 6,988,345 B1 1/2006 Pelfrey
 7,219,477 B2 5/2007 Leffler
 7,487,623 B2 2/2009 Rodolof
 7,546,719 B1 6/2009 Guevara
 7,584,587 B2 9/2009 Ouellette
 7,621,079 B2 11/2009 Kyozauro
 7,634,883 B1 12/2009 Larson
 7,743,575 B2 6/2010 Ito
 7,810,291 B2 10/2010 McPherson
 8,281,530 B2 10/2012 Chaussee
 8,578,660 B2 11/2013 Nolan
 8,584,416 B2 * 11/2013 Chenier E04F 13/06
 52/573.1
 8,596,019 B2 12/2013 Aitken
 8,646,222 B2 2/2014 Carbonaro
 D700,717 S 3/2014 Campacci
 D703,306 S 4/2014 Little
 D703,307 S 4/2014 Little
 8,726,594 B2 5/2014 Salazar
 8,813,443 B2 8/2014 Goldberg
 8,919,062 B1 12/2014 Viness
 8,943,761 B2 2/2015 Carbonaro
 9,140,008 B2 9/2015 Fischer

9,366,040 B2 6/2016 Singh
 D761,971 S 7/2016 Apanovich et al.
 D762,310 S 7/2016 Apanovich
 D787,091 S 5/2017 Singh
 D792,609 S 7/2017 Smith et al.
 D800,344 S 10/2017 Apanovich
 D800,346 S 10/2017 Apanovich et al.
 D800,921 S 10/2017 Apanovich
 D814,057 S 3/2018 Singh
 D815,757 S 4/2018 Braun
 10,196,812 B1 2/2019 Duffy
 D842,496 S 3/2019 Apanovich
 D842,497 S 3/2019 Apanovich et al.
 10,533,324 B2 1/2020 Baltz, Jr. et al.
 10,655,336 B2 5/2020 Friel
 D888,285 S 6/2020 Baltz, Jr. et al.
 D893,051 S 8/2020 Baltz, Jr. et al.
 10,731,335 B2 8/2020 Baltz, Jr. et al.
 10,753,083 B2 8/2020 Baltz, Jr. et al.
 D896,993 S 9/2020 Baltz, Jr. et al.
 10,774,545 B2 9/2020 Baltz, Jr. et al.
 D901,722 S * 11/2020 Helms D25/119
 D902,443 S * 11/2020 Baltz, Jr. D25/164
 D903,146 S 11/2020 Baltz, Jr. et al.
 D905,295 S 12/2020 Baltz, Jr. et al.
 10,947,722 B2 3/2021 Baltz, Jr. et al.
 D923,821 S 6/2021 Baltz, Jr. et al.
 11,180,913 B2 * 11/2021 Baltz, Jr. E04F 13/007
 D940,349 S 1/2022 Baltz, Jr. et al.
 2003/0126810 A1 7/2003 Brunson
 2003/0177736 A1 9/2003 Gatherum
 2005/0115189 A1 6/2005 Leffler
 2006/0123723 A1 6/2006 Weir
 2006/0277854 A1 12/2006 Egan
 2007/0044402 A1 3/2007 Hess
 2007/0130861 A1 6/2007 Chenier
 2007/0256386 A1 11/2007 Ito
 2008/0104918 A1 5/2008 Gleeson
 2008/0148672 A1 6/2008 Monteer
 2008/0263971 A1 10/2008 Maziarz
 2009/0173858 A1 7/2009 LaCerte
 2009/0183453 A1 7/2009 Koessler
 2010/0101168 A1 4/2010 Hohmann
 2010/0287861 A1 11/2010 Goldberg
 2011/0252731 A1 10/2011 Boyer
 2011/0302863 A1 12/2011 Sourlis
 2012/0066984 A1 3/2012 Thompson
 2012/0066986 A1 3/2012 Thompson
 2012/0174495 A1 7/2012 Nolan et al.
 2013/0104481 A1 5/2013 Urban, Jr. et al.
 2013/0125487 A1 5/2013 Power
 2015/0013257 A1 1/2015 Power
 2015/0027074 A1 1/2015 Preston
 2016/0069071 A1 3/2016 Remmele
 2016/0340908 A1 11/2016 Apanovich
 2017/0030072 A1 2/2017 Corson
 2017/0226732 A1 8/2017 Collins
 2017/0254091 A1 9/2017 Friel
 2018/0051470 A1 2/2018 Smith et al.
 2018/0305921 A1 10/2018 Margalit
 2019/0136543 A1 * 5/2019 Friel E04F 13/06
 2019/0161960 A1 5/2019 Baltz, Jr.
 2019/0186147 A1 6/2019 Baltz, Jr. et al.
 2019/0194954 A1 6/2019 Baltz, Jr.
 2019/0292791 A1 * 9/2019 Friel E04F 13/06
 2019/0368190 A1 12/2019 Stender
 2020/0063432 A1 2/2020 Baltz, Jr.
 2020/0063446 A1 2/2020 Baltz, Jr.
 2020/0157798 A1 * 5/2020 Baltz, Jr. E04F 19/02
 2020/0332517 A1 * 10/2020 Baltz, Jr. E04F 19/02
 2021/0156139 A1 * 5/2021 Baltz, Jr. E04F 19/02

FOREIGN PATENT DOCUMENTS

CA 2983532 C 3/2021
 JP 2657037 9/1997
 JP 10037321 2/1998
 JP 11131611 5/1999
 JP 2008196248 A 8/2008

(56)

References Cited

FOREIGN PATENT DOCUMENTS

JP	4490340	6/2010
JP	2011169094 A	9/2011
JP	5002275 B2	8/2012
JP	2012202177 A	10/2012
JP	2014218814 A	11/2014
JP	5968618 B2	8/2016
WO	2016040273 A1	3/2016

OTHER PUBLICATIONS

From U.S. Appl. No. 15/446,732—cited as “Images of J-Bead believed to have been known in the art prior to Mar. 1, 2016”.

* cited by examiner

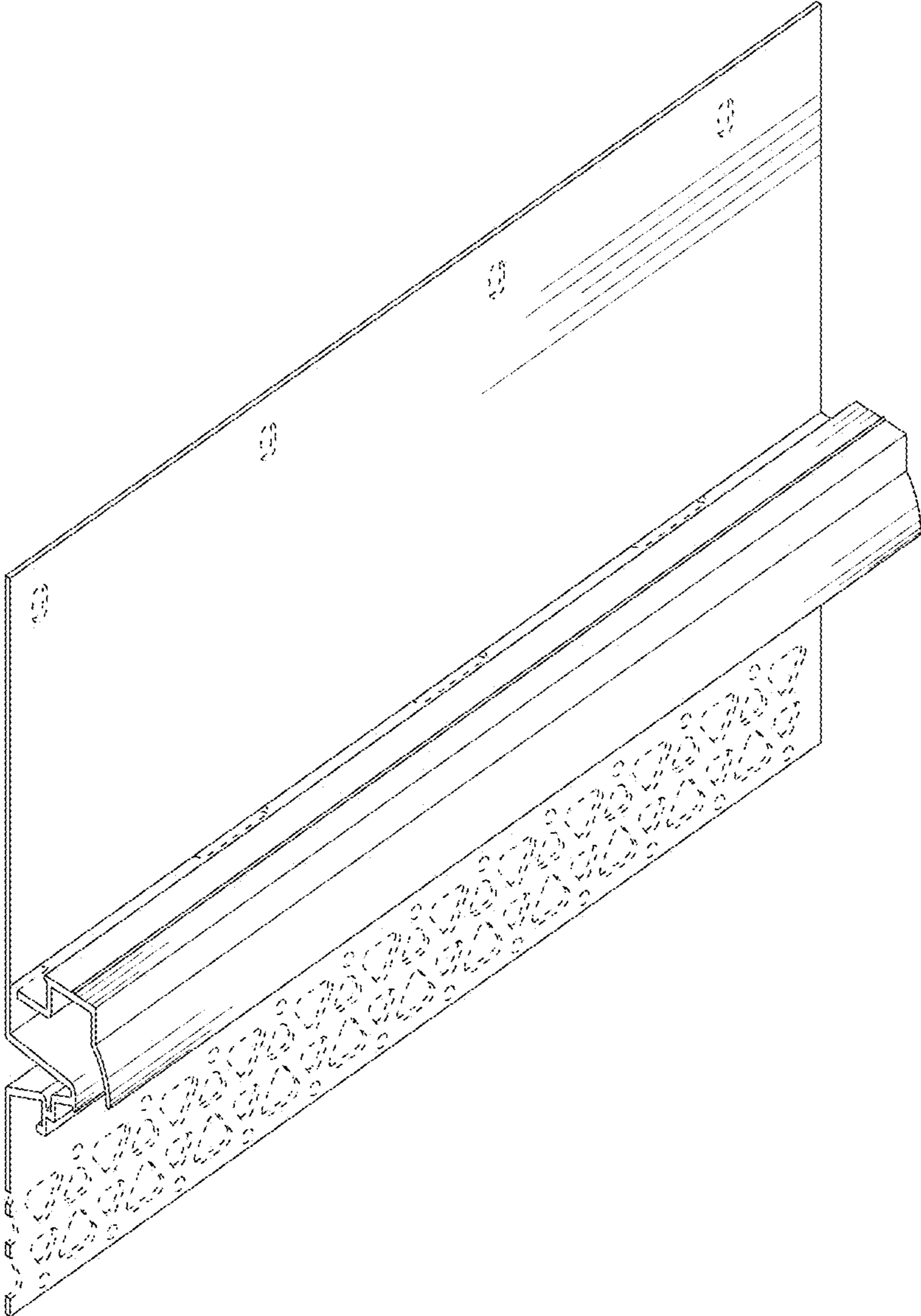


Fig. 1

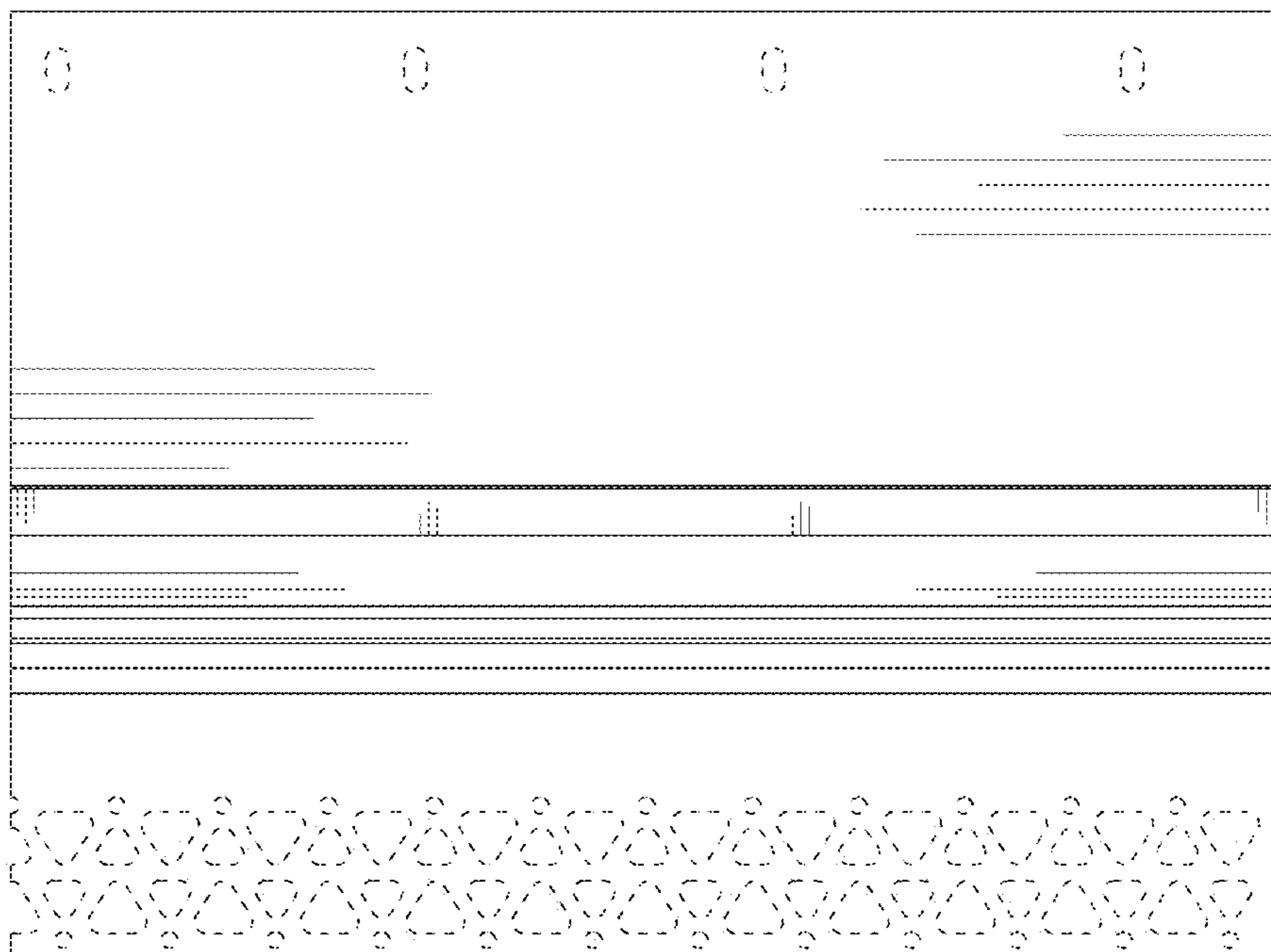


Fig. 2

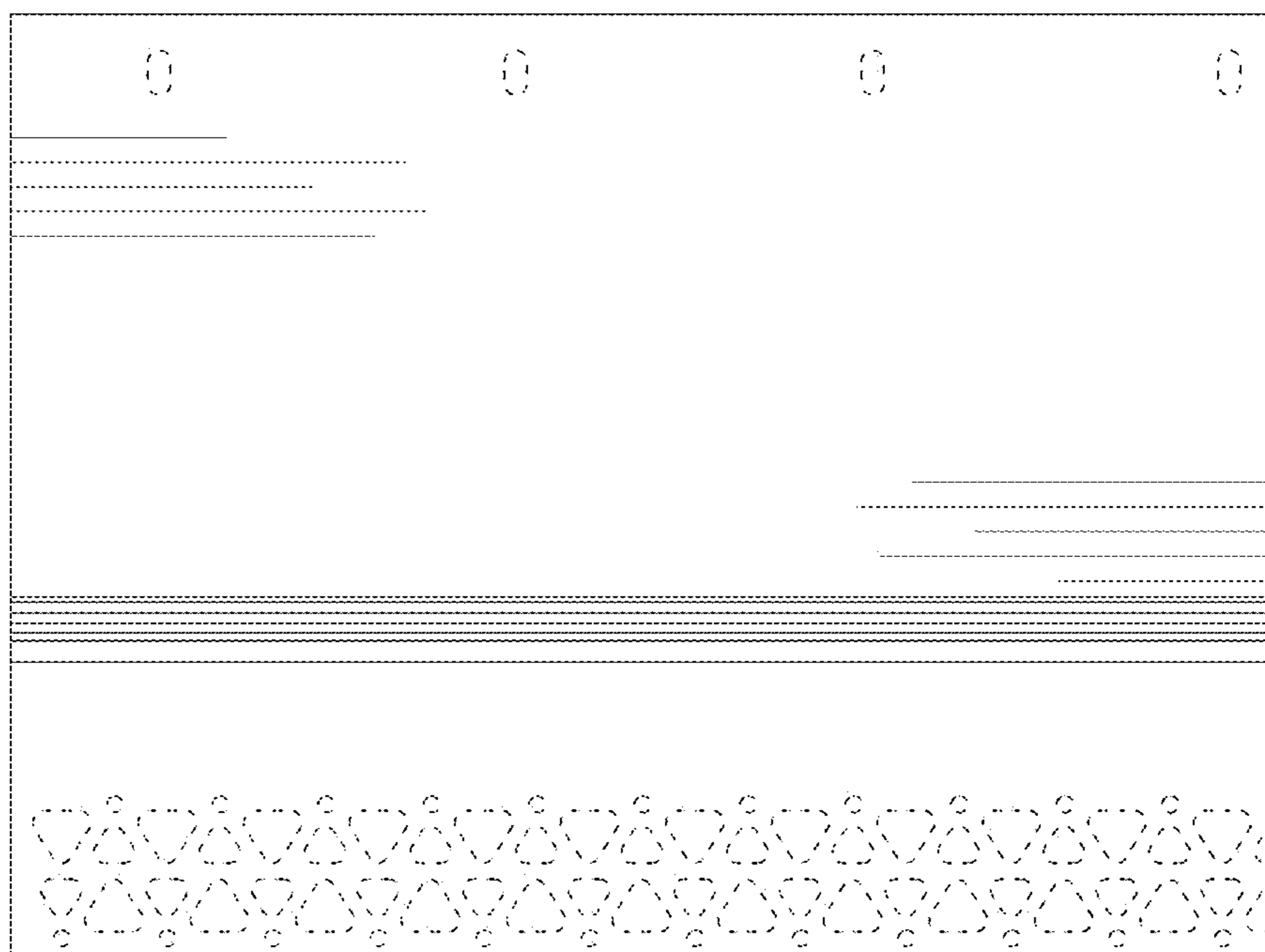


Fig. 3

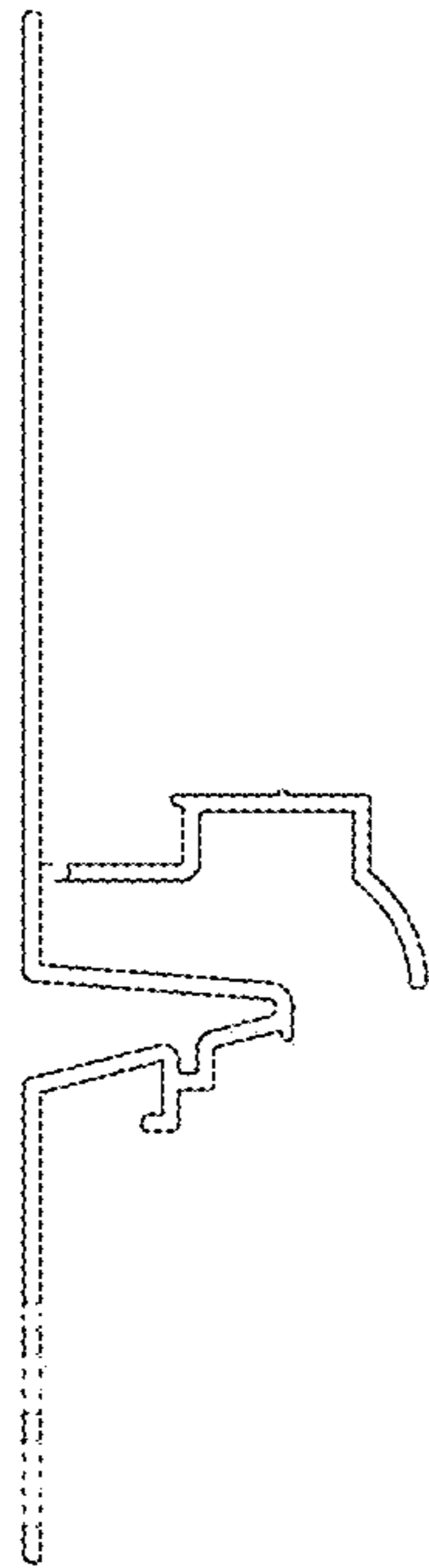


Fig. 4

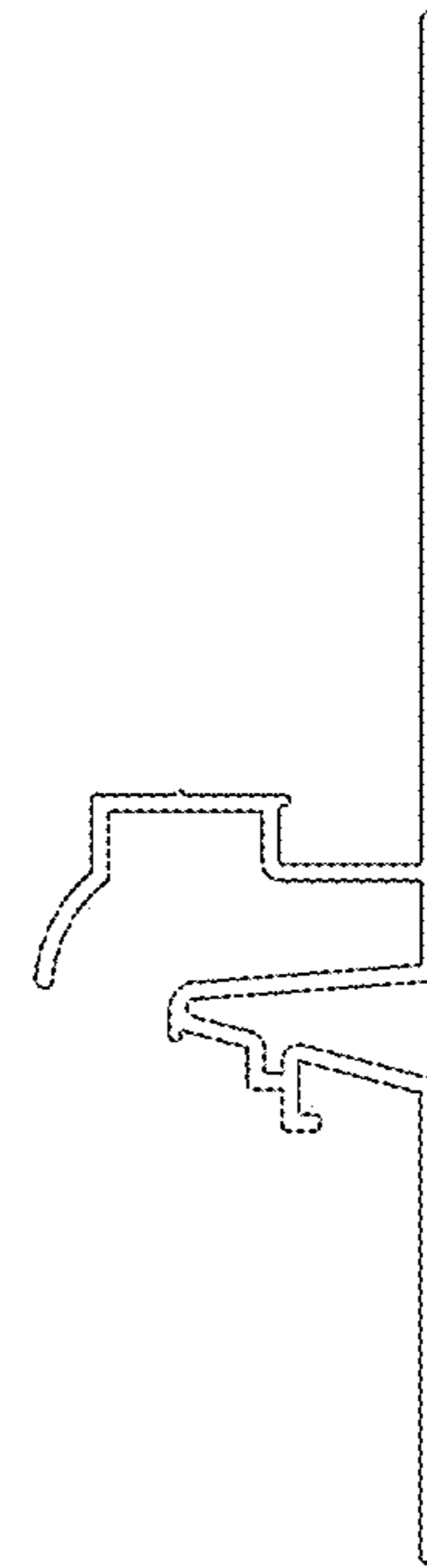


Fig. 5

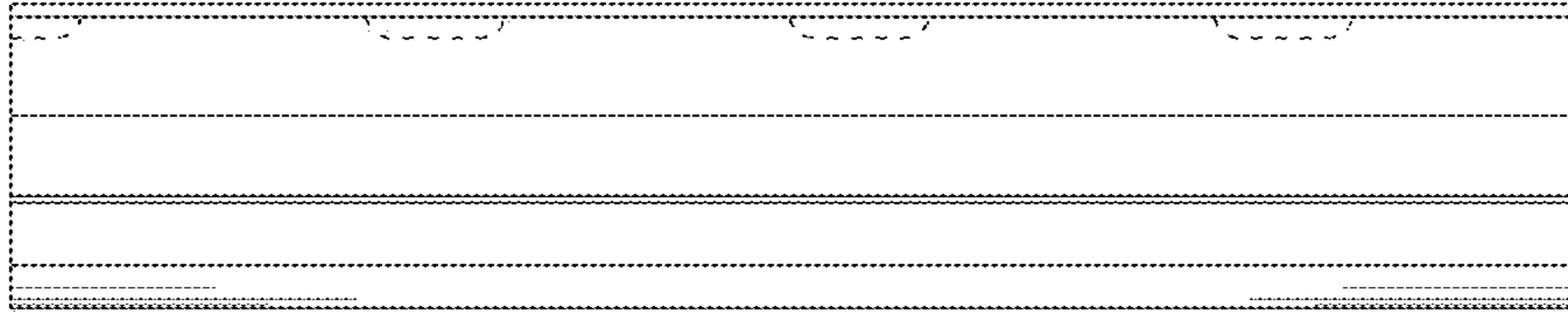


Fig. 6

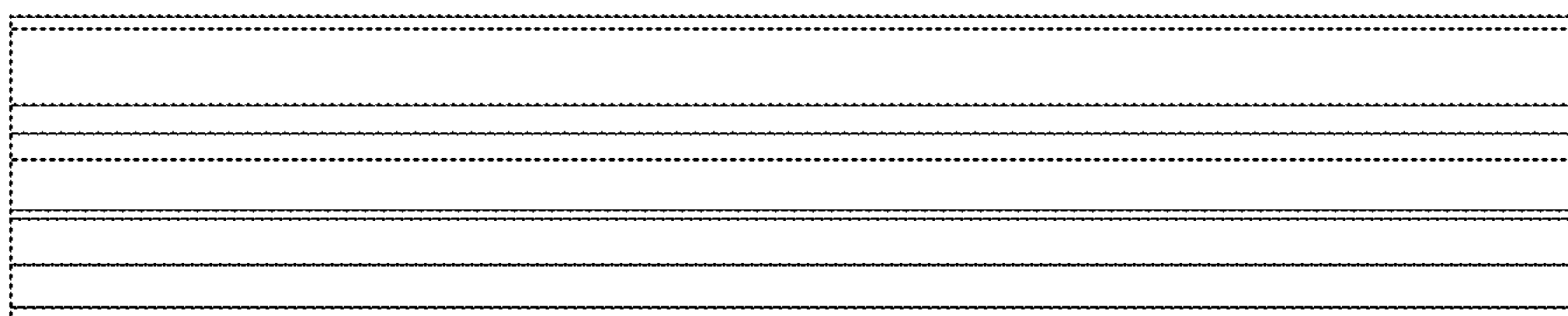


Fig. 7

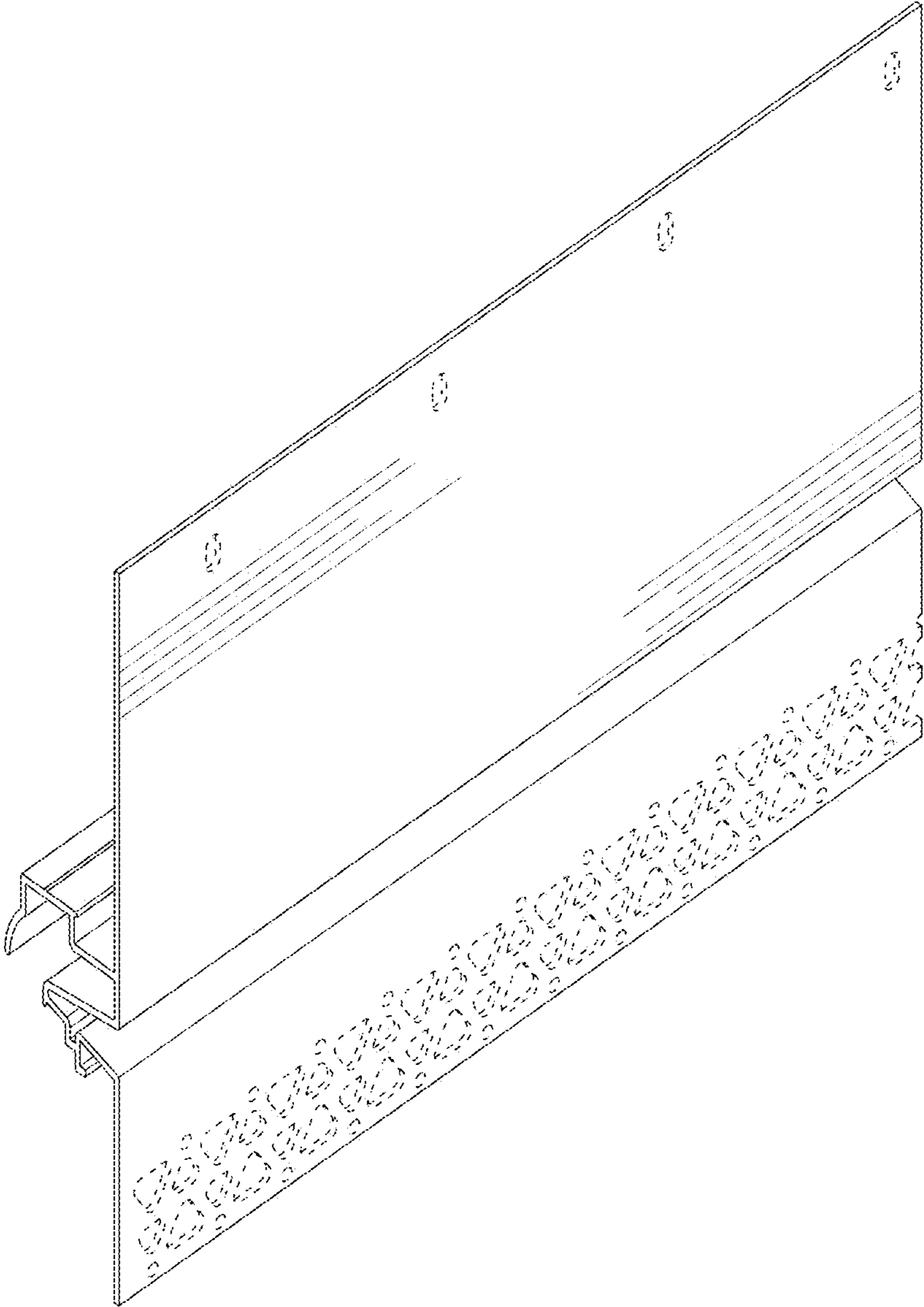


Fig. 8