



US00D973907S

(12) **United States Design Patent**
Zhang

(10) **Patent No.:** **US D973,907 S**
(45) **Date of Patent:** **** Dec. 27, 2022**

(54) **HANDRAIL**

FOREIGN PATENT DOCUMENTS

(71) Applicant: **Jiangsu Aomei Whale International Trade Co., Ltd.**, Changzhou (CN)

JP D1060529 * 2/2000
JP D1507669 * 9/2014

(72) Inventor: **Lulu Zhang**, Huaibei (CN)

OTHER PUBLICATIONS

(**) Term: **15 Years**

DIY Iron X Handrail YouTube <https://www.youtube.com/watch?v=xcC6gQ3w34A&t=1s> Sep. 20, 2017 (Year: 2017).*

(21) Appl. No.: **29/814,182**

* cited by examiner

(22) Filed: **Nov. 4, 2021**

Primary Examiner — Leanne Was-Englehart

(51) **LOC (13) Cl.** **25-02**

(57) **CLAIM**

(52) **U.S. Cl.**

The ornamental design for a handrail, substantially as shown and described.

USPC **D25/41.1**

(58) **Field of Classification Search**

DESCRIPTION

USPC D25/38.1, 41.1, 43
CPC ... E04H 4/144; E06C 9/00; E06C 9/02; E06C 9/04; E06C 9/08; E06C 7/181
See application file for complete search history.

FIG. 1 is a top, front and right side perspective view of a handrail, showing my new design;
FIG. 2 is a front elevational view thereof;
FIG. 3 is a rear elevational view thereof;
FIG. 4 is a right side elevational view thereof;
FIG. 5 is a left side elevational view thereof; and,
FIG. 6 is a top plan view thereof.

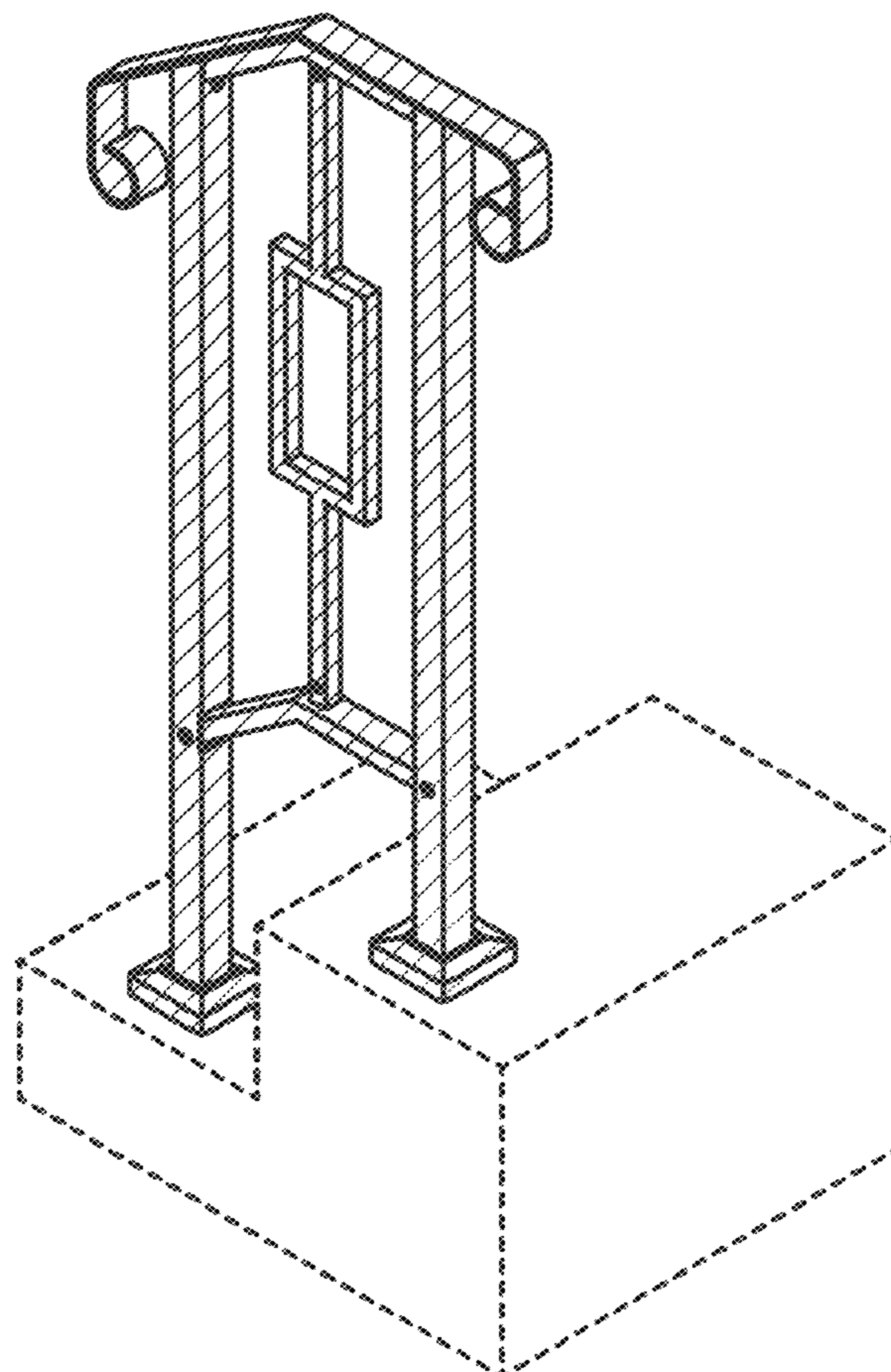
(56) **References Cited**

The broken lines in the drawings illustrate the portions of the handrail, which form no part of the claimed design.

U.S. PATENT DOCUMENTS

D297,055 S * 8/1988 McElvania D25/38.1
D500,148 S * 12/2004 Westby D25/126
D713,544 S 9/2014 Toda
D944,413 S * 2/2022 Wang D25/41.1
2022/0186502 A1 * 6/2022 Livengood E04F 11/1842

1 Claim, 6 Drawing Sheets



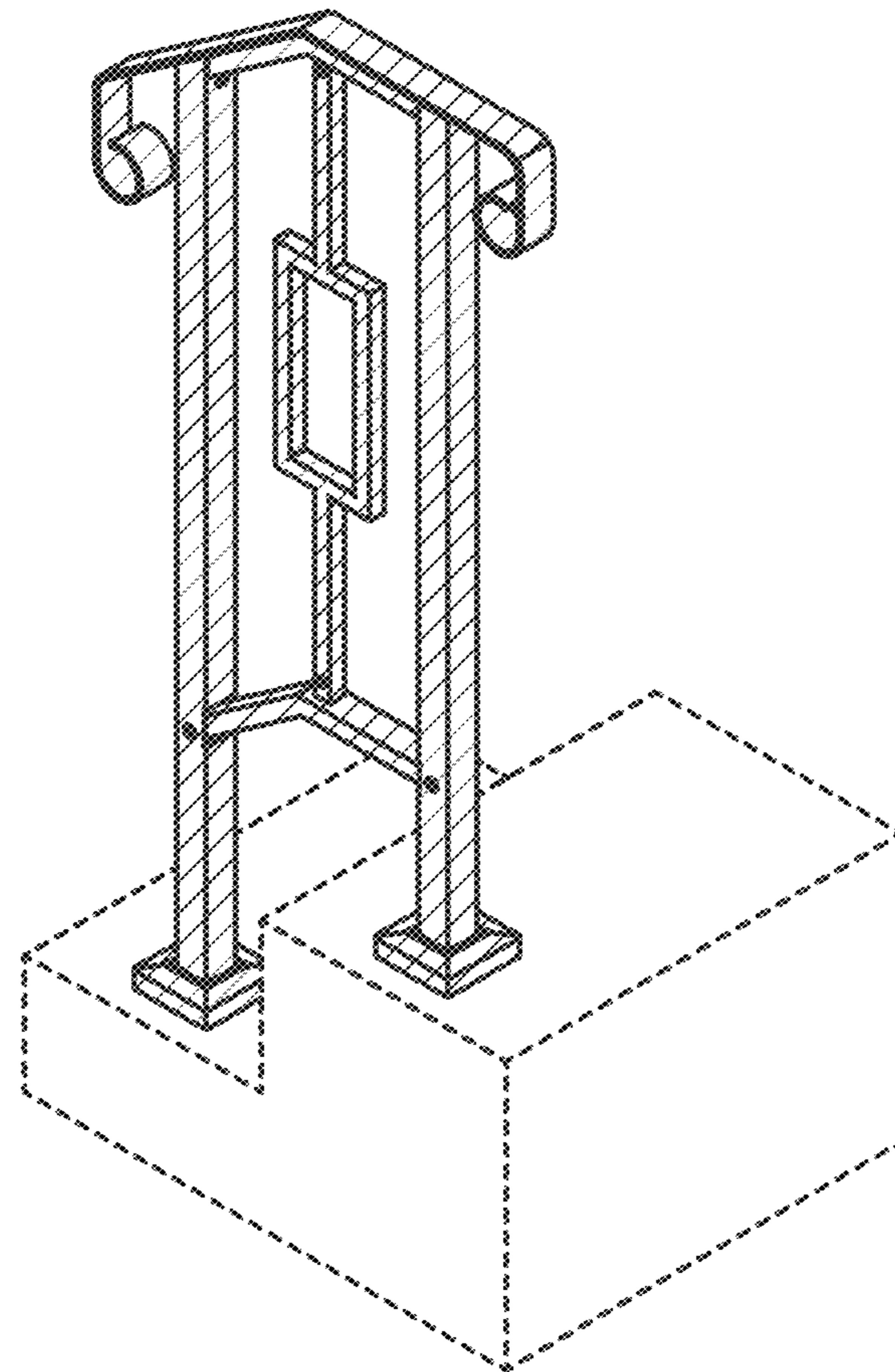


FIG. 1

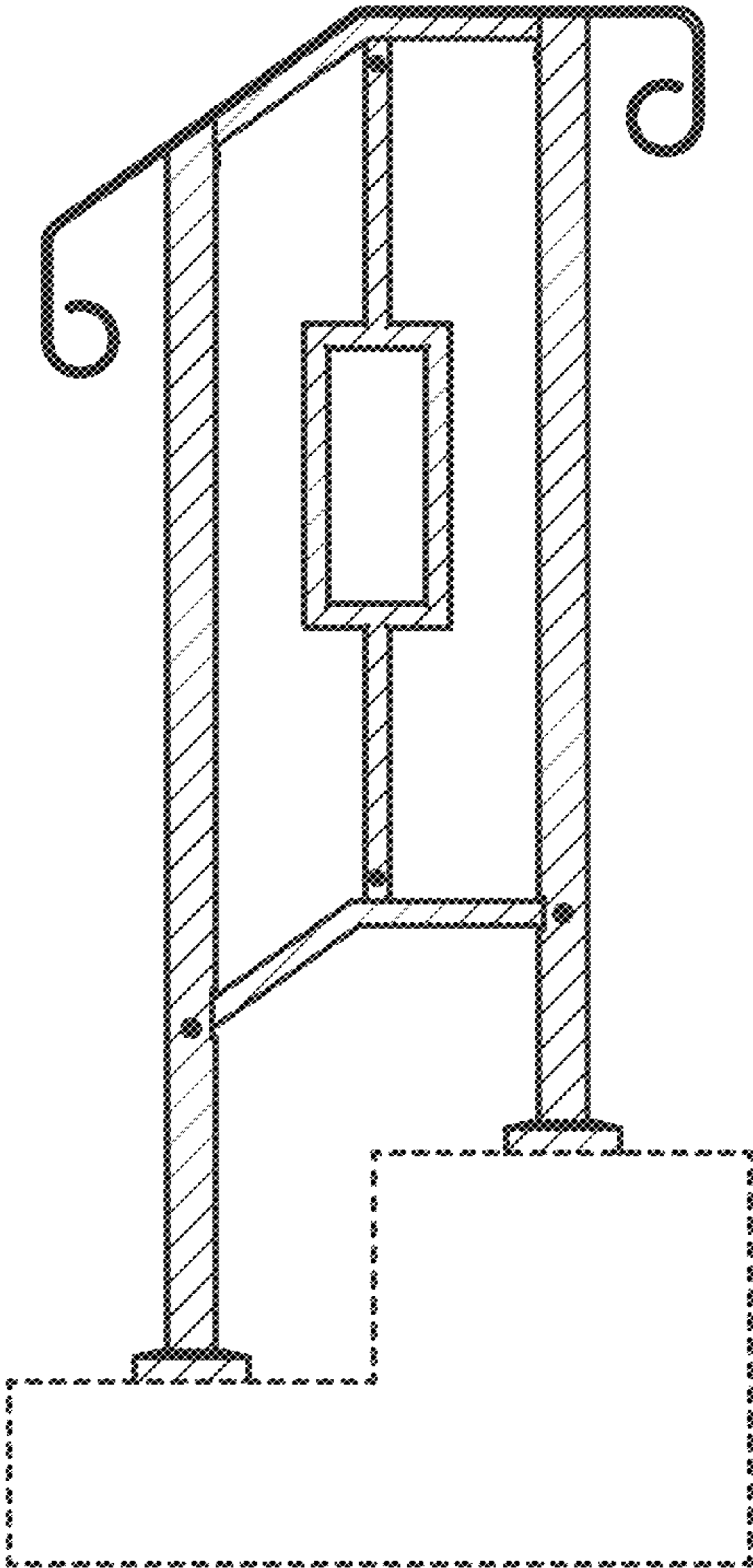


FIG. 2

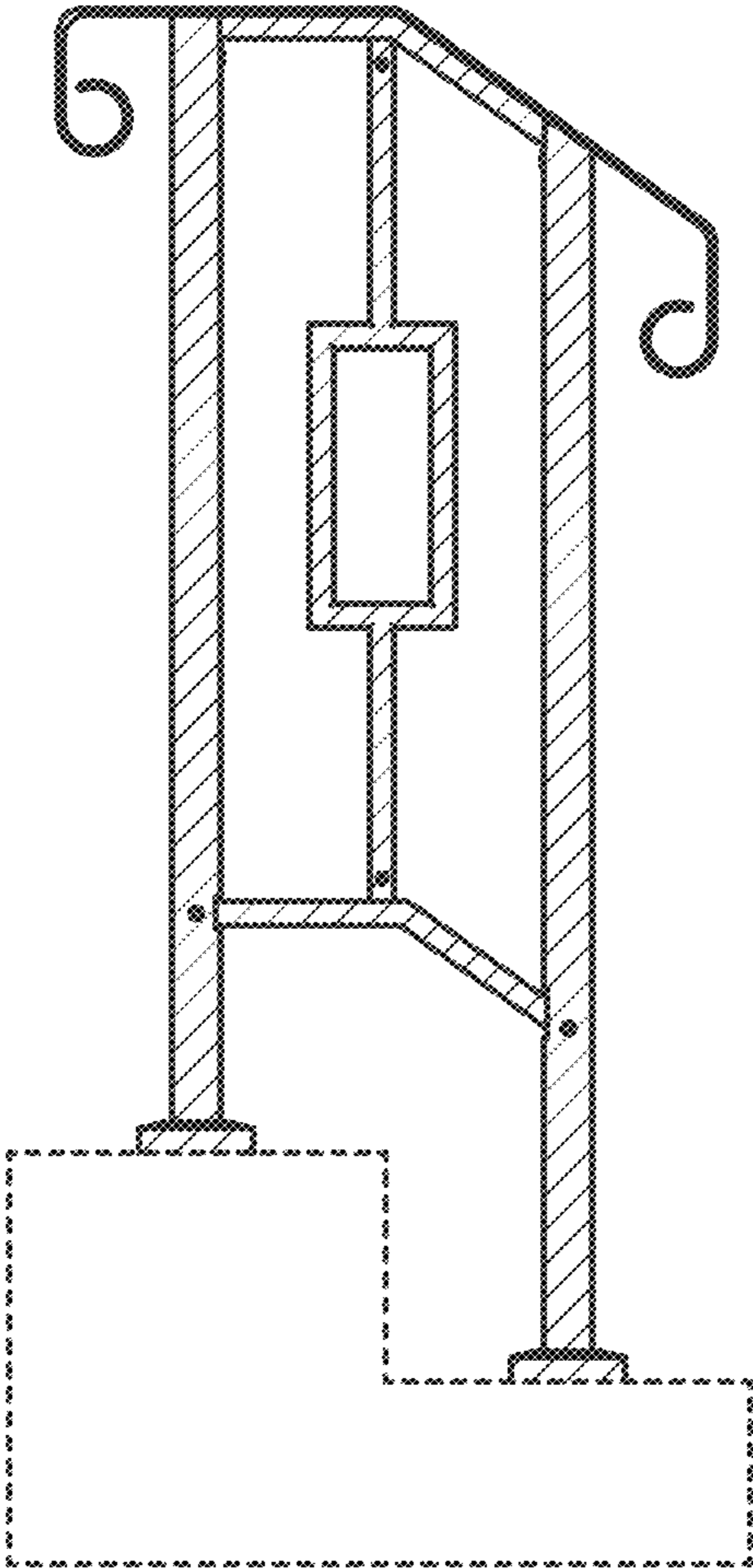


FIG. 3

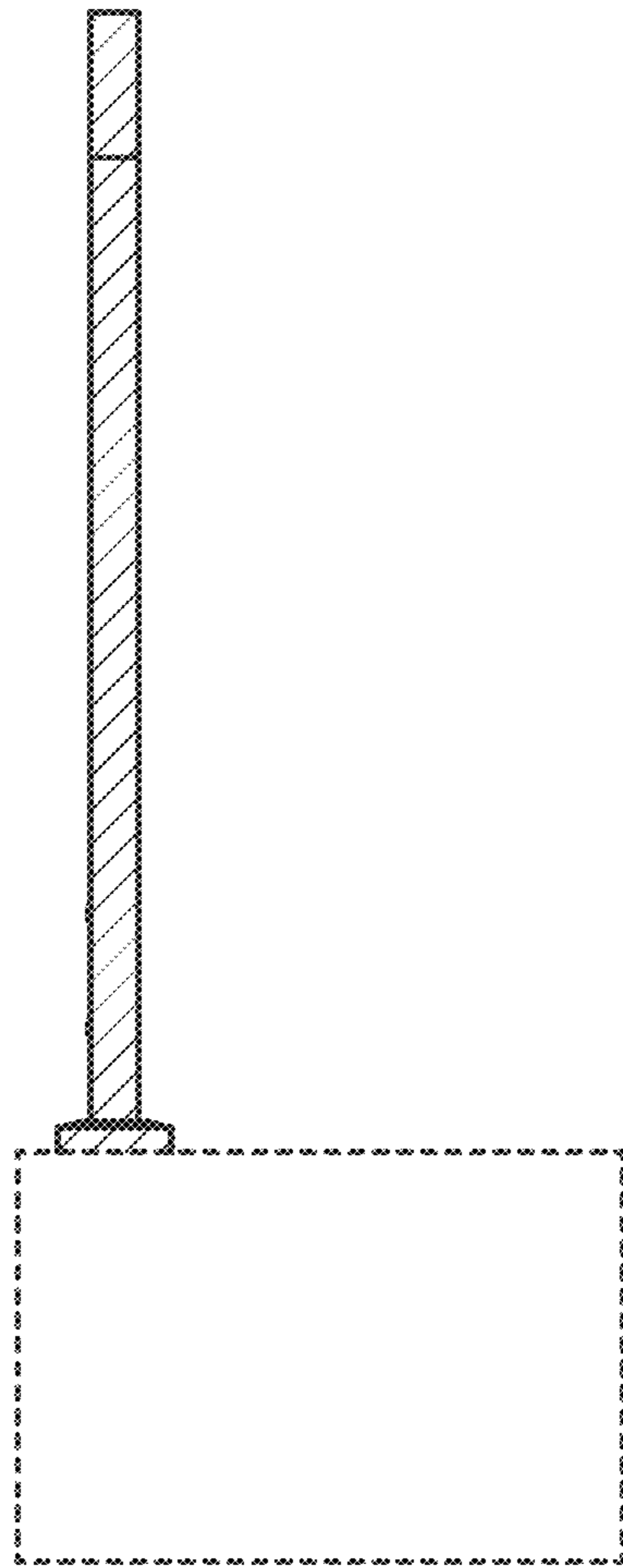


FIG. 4

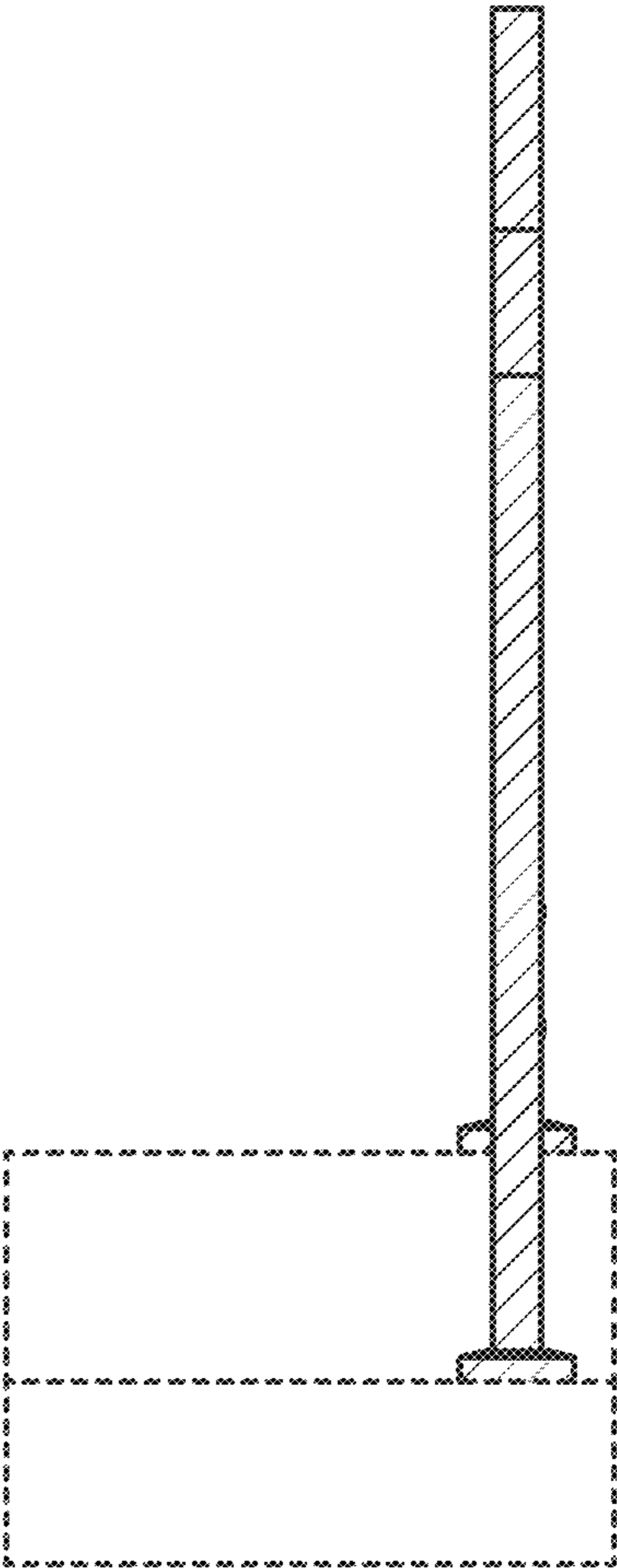


FIG. 5

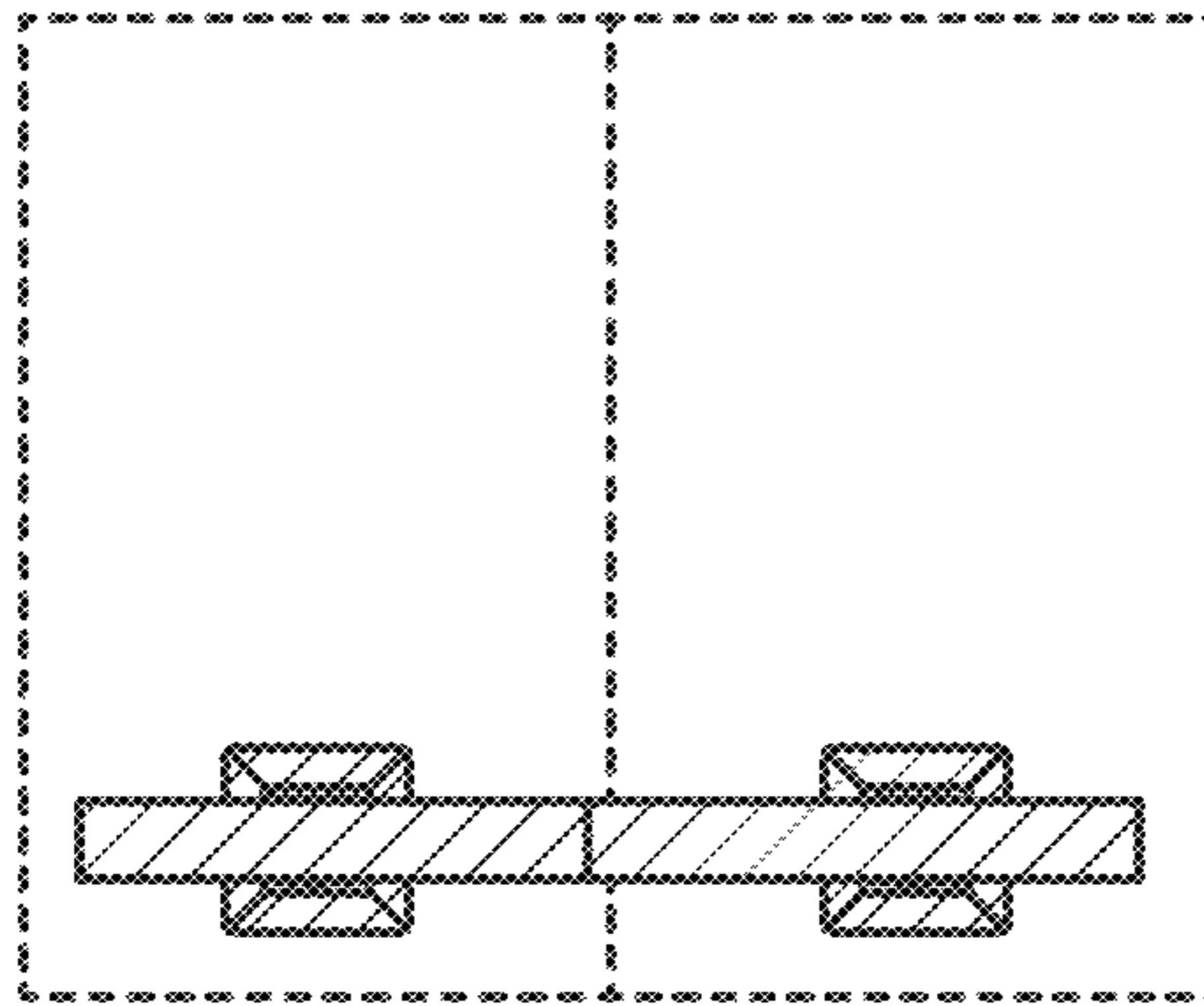


FIG. 6