



US00D973906S

(12) **United States Design Patent**
Qin et al.

(10) **Patent No.:** **US D973,906 S**

(45) **Date of Patent:** **** Dec. 27, 2022**

(54) **PREFAB HOUSE**

(71) Applicant: **Foshan Alpicool Technology Co., LTD.**, Foshan (CN)

(72) Inventors: **Junjie Qin**, Nanning (CN); **Shuaibin Wang**, Shenzhen (CN)

(73) Assignee: **Foshan Alpicool Technology Co., LTD.**, Foshan (CN)

(**) Term: **15 Years**

(21) Appl. No.: **29/840,130**

(22) Filed: **May 26, 2022**

(51) **LOC (13) Cl.** **25-03**

(52) **U.S. Cl.**
USPC **D25/33**

(58) **Field of Classification Search**
USPC D25/1, 3-35; D15/122; D12/102-106
CPC E04H 1/00-1277; E04H 2001/1283-1294
See application file for complete search history.

(56) **References Cited**

U.S. PATENT DOCUMENTS

3,905,167	A	*	9/1975	Watkins	E04B 1/34846
						D25/4
D237,378	S	*	10/1975	Ekuan	D25/4
D238,778	S	*	2/1976	Watkins	D25/4
D238,943	S	*	2/1976	Curci	D25/33
D261,809	S	*	11/1981	Chambers	D25/33
D559,403	S	*	1/2008	Vils	D25/33
D596,313	S	*	7/2009	Perrine	D25/1
D650,913	S	*	12/2011	Vittori	D25/35
D676,575	S	*	2/2013	Wada	D25/33
D822,227	S	*	7/2018	Schmiedel	D25/18

D829,925	S	*	10/2018	Labesque	D25/33
D844,826	S	*	4/2019	Kwong	D25/18
D862,733	S		10/2019	Kwong		
D882,115	S	*	4/2020	Stuart-Smith	D25/18
D916,316	S		4/2021	Schumacher		
D932,526	S	*	10/2021	Son	D15/122
D948,076	S	*	4/2022	Goetgeluk	D25/33
D950,771	S	*	5/2022	Hirvesaar	D25/33

OTHER PUBLICATIONS

Walk Through Vessel the Prefabricated House, Jun. 24, 2019, Youtube, https://www.youtube.com/watch?v=_SaXjwyVmb8 (Year: 2019).*

Foreign Registrations and Patents, Various Dates 2018-2022, Questel Orbit, <https://www.orbit.com/export/QPTUJ458/pdf2/cff81f65-d0a1-45e3-8341-f4b2784e60eb-024601.pdf> (Year: 2018).*

* cited by examiner

Primary Examiner — Brett Miller

(74) *Attorney, Agent, or Firm* — Georgi Korobanov

(57) **CLAIM**

The ornamental design for a prefab house, as shown and described.

DESCRIPTION

FIG. 1 is a perspective view of a prefab house, showing our new design;

FIG. 2 is another perspective view thereof;

FIG. 3 is a front view thereof;

FIG. 4 is a rear view thereof;

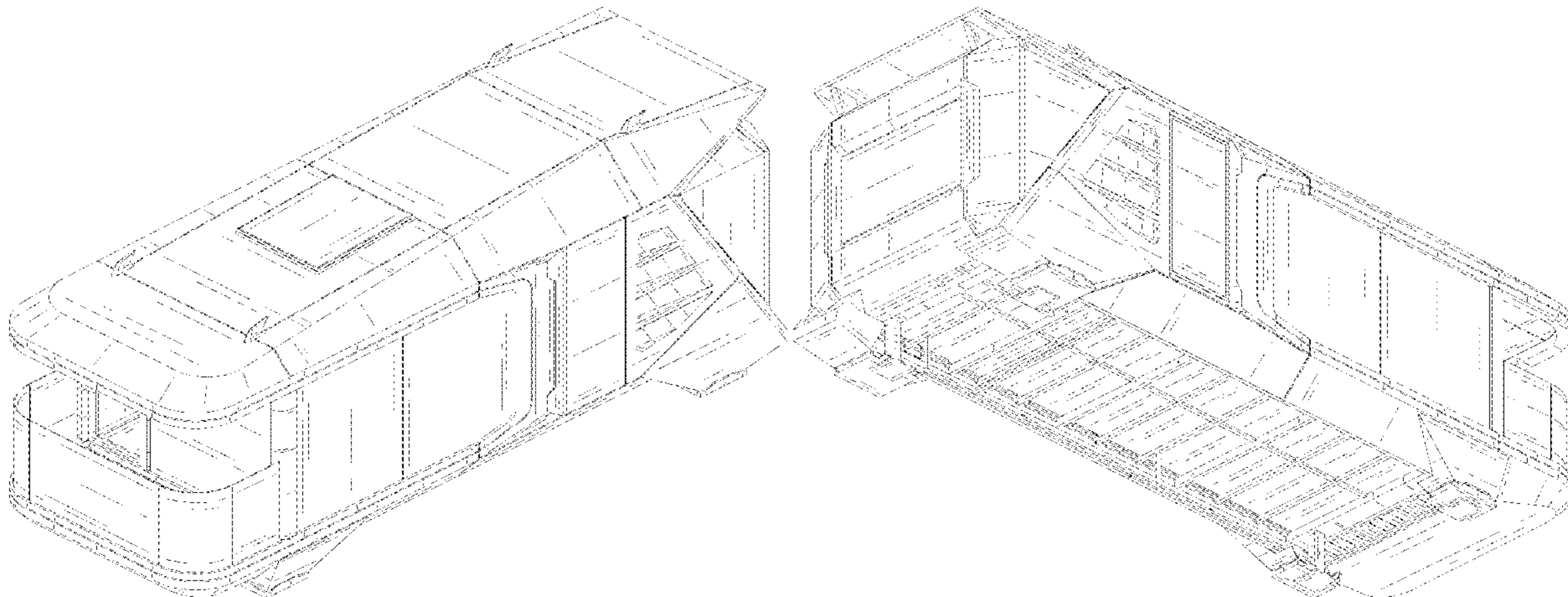
FIG. 5 is a left side view thereof;

FIG. 6 is a right side view thereof;

FIG. 7 is a top plan view thereof; and,

FIG. 8 is a bottom plan view thereof.

1 Claim, 8 Drawing Sheets



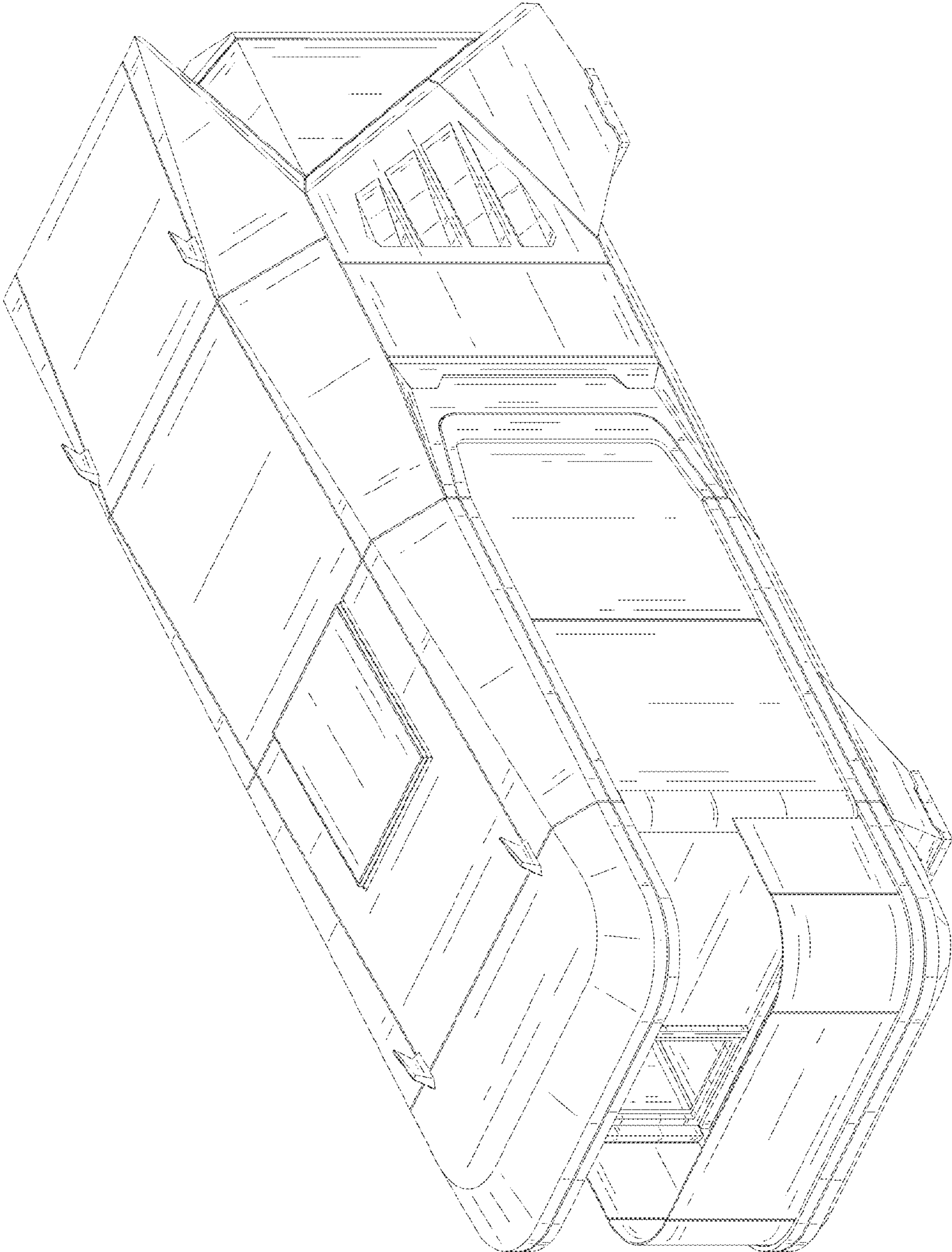


FIG. 1

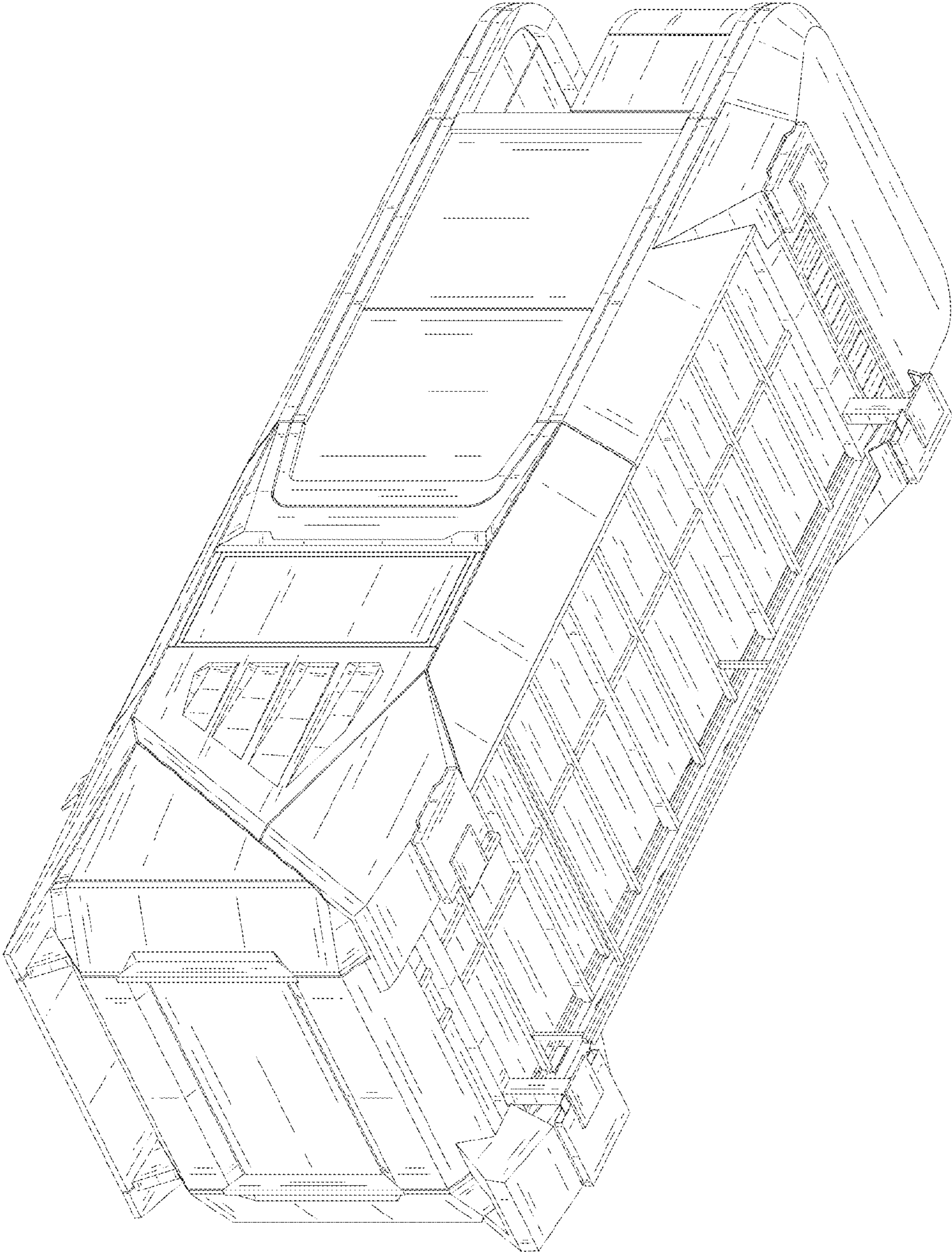


FIG. 2

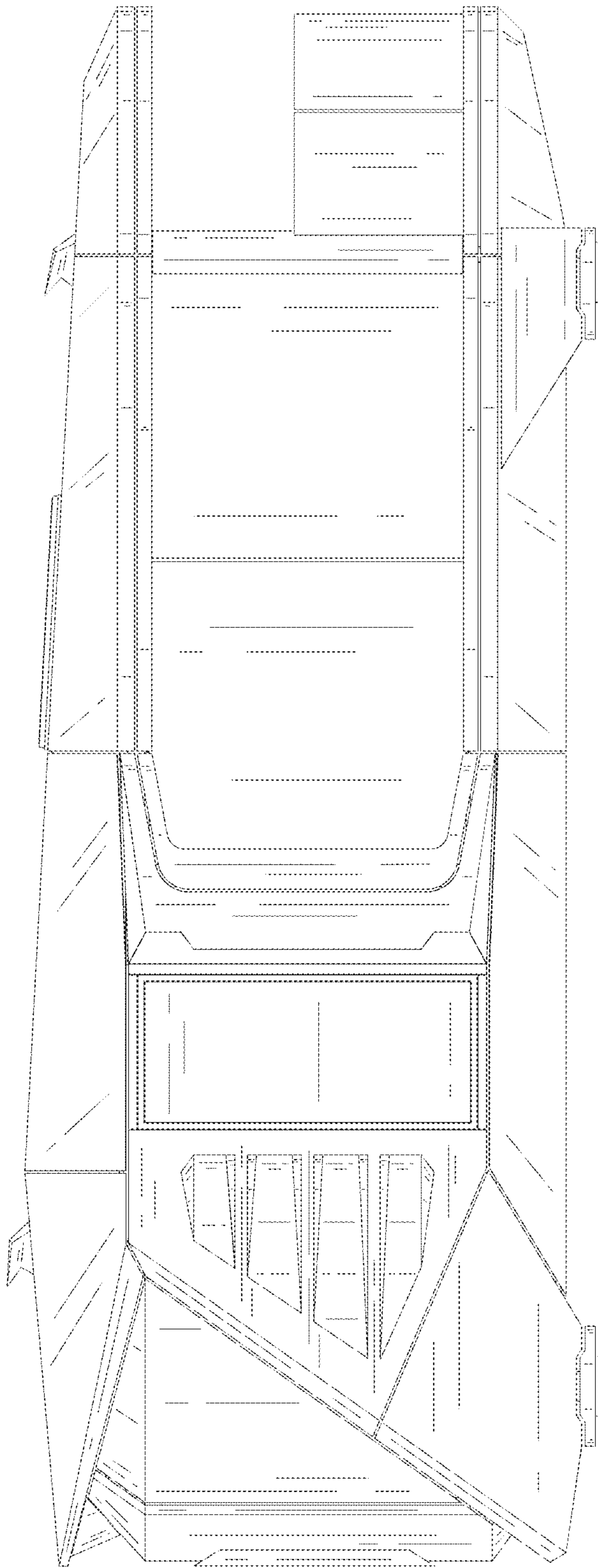


FIG. 3

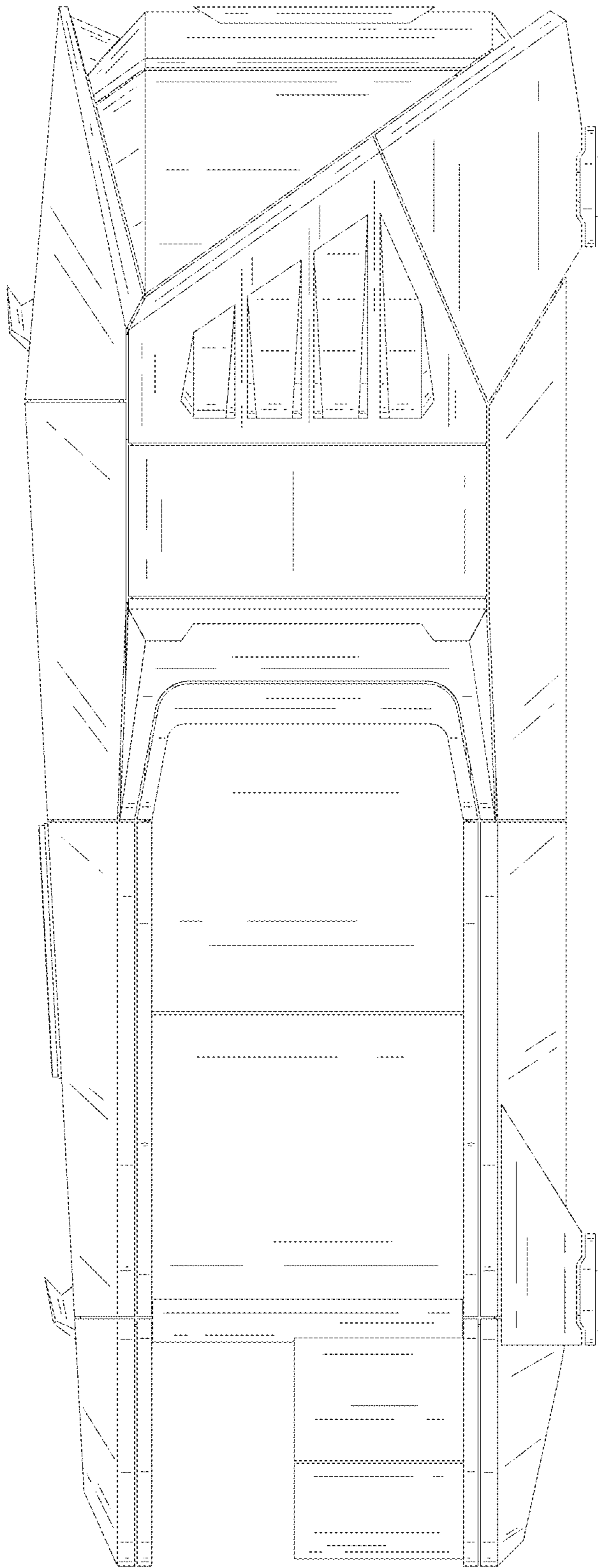


FIG. 4

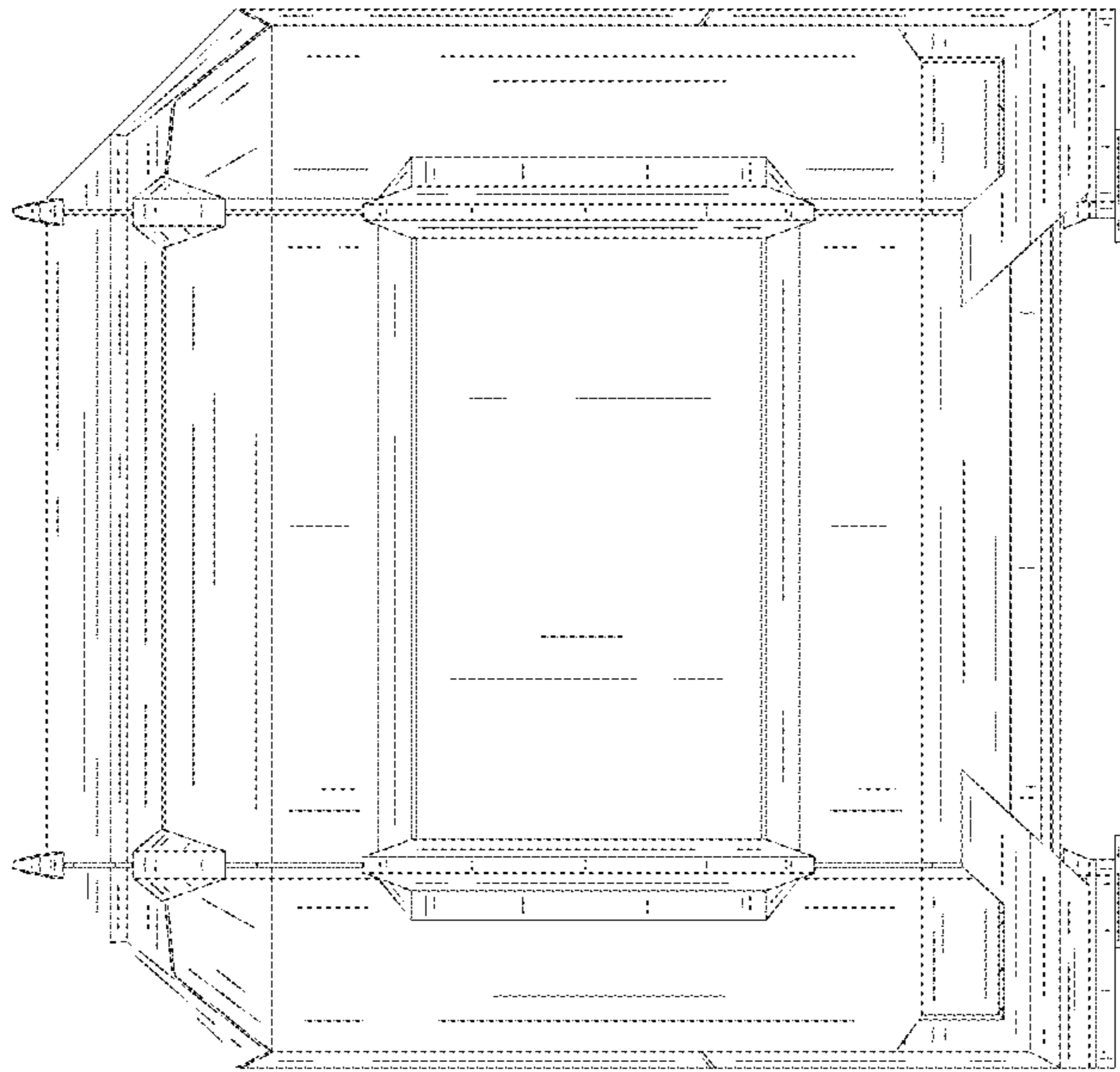


FIG. 5

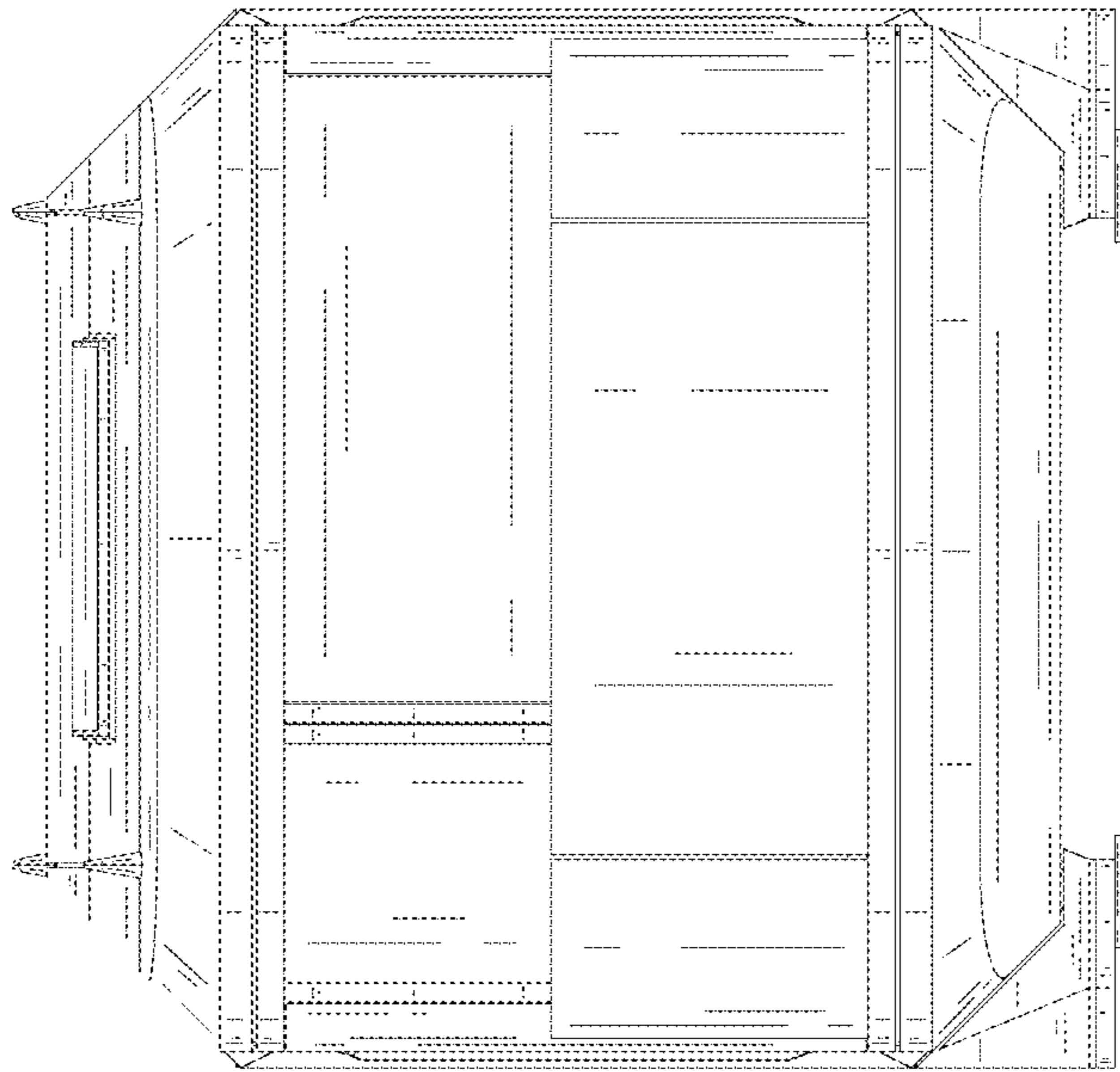


FIG. 6

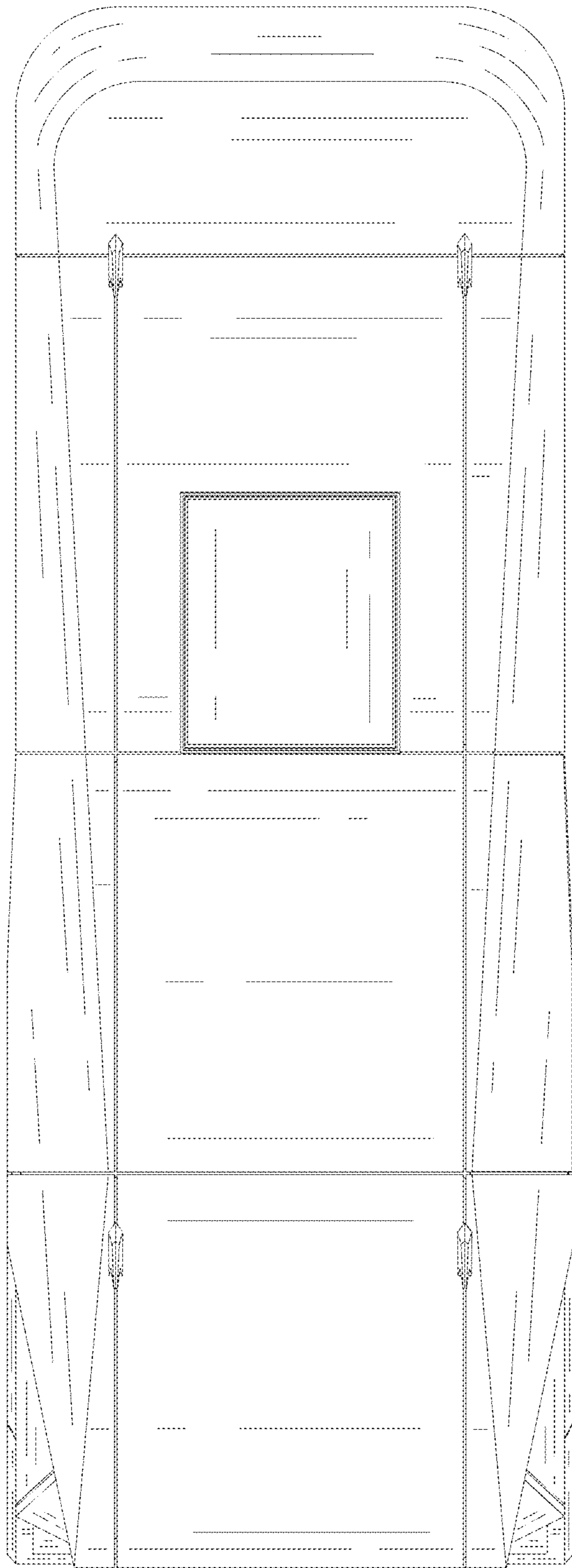


FIG. 7

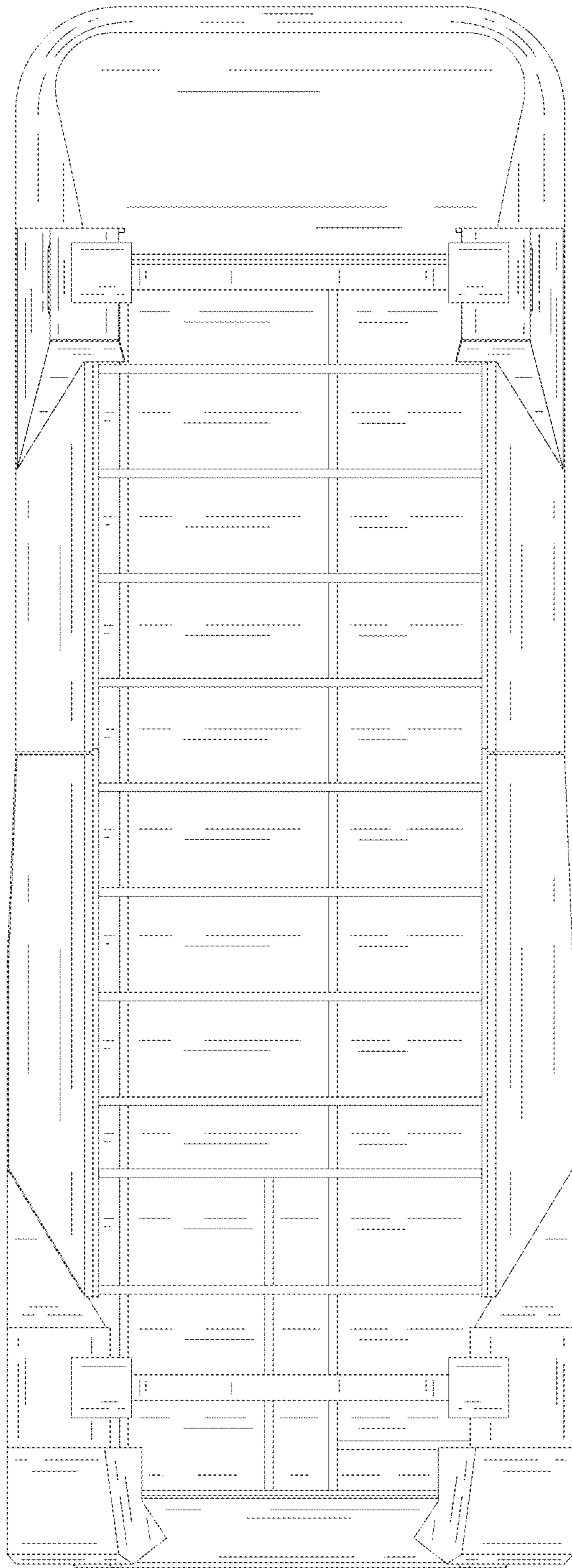


FIG. 8