



US00D973905S

(12) **United States Design Patent** (10) **Patent No.:** **US D973,905 S**  
**Verdier et al.** (45) **Date of Patent:** **\*\* Dec. 27, 2022**

(54) **SHED FOR BICYCLES**  
(71) Applicant: **ALTINNOVA**, Bonson (FR)  
(72) Inventors: **Corinne Verdier**,  
Saint-Marcellin-en-Forez (FR); **Julien**  
**Lefebvre**, Saint-Marcellin-en-Forez  
(FR)

D844,816 S \* 4/2019 Zhu ..... D25/16  
D862,733 S \* 10/2019 Kwong ..... D25/18  
D895,148 S \* 9/2020 Wallinmaa ..... D25/16  
D922,614 S \* 6/2021 Currie ..... D25/18  
2009/0266005 A1\* 10/2009 Snel ..... E04B 1/34321  
52/579

(Continued)

**FOREIGN PATENT DOCUMENTS**

WO WO-2012045904 A1 \* 4/2012 ..... B62H 3/02  
WO RGN\_D213031-001 \* 3/2021

**OTHER PUBLICATIONS**

Oonee\_mini\_pod (available online Feb. 17, 2021) Retrieved from  
the internet May 18, 2022 from URL: <https://www.designboom.com/design/oonee-mini-pod-bikes-parking-02-17-2021/> 1.\*

(Continued)

*Primary Examiner* — Richard Kearney

(\*\*) Term: **15 Years**  
(21) Appl. No.: **35/511,542**  
(22) Filed: **Mar. 5, 2021**

(80) **Hague Agreement Data**

Int. Filing Date: **Mar. 5, 2021**  
Int. Reg. No.: **DM/213031**  
Int. Reg. Date: **Mar. 5, 2021**  
Int. Reg. Pub. Date: **Mar. 19, 2021**

(51) **LOC (13) Cl.** ..... **25-03**

(52) **U.S. Cl.**  
USPC ..... **D25/17**

(58) **Field of Classification Search**

USPC ..... D25/1, 6, 13, 15, 16, 18, 19, 33, 36  
CPC ..... A61H 33/06; A61H 33/066; A61G 10/02;  
E04H 1/12; E04H 1/1216; E04H 1/1222;  
E04H 1/1244; E04H 1/125; E04H 1/1255;  
E04H 1/1266; E04H 1/1277; E04H  
1/1283; E04H 1/1288; E04H 1/1294;  
E04H 6/005; B62H 3/00

See application file for complete search history.

(56) **References Cited**

**U.S. PATENT DOCUMENTS**

D130,582 S \* 12/1941 Krufmann ..... D25/4  
D220,945 S \* 6/1971 Hughes ..... D25/18  
3,778,528 A \* 12/1973 Heifetz ..... H02G 3/266  
D25/4  
D308,509 S \* 6/1990 Hammero ..... D12/318  
D731,077 S \* 6/2015 Lehmann ..... D25/16  
D764,667 S \* 8/2016 Shiue ..... D24/158

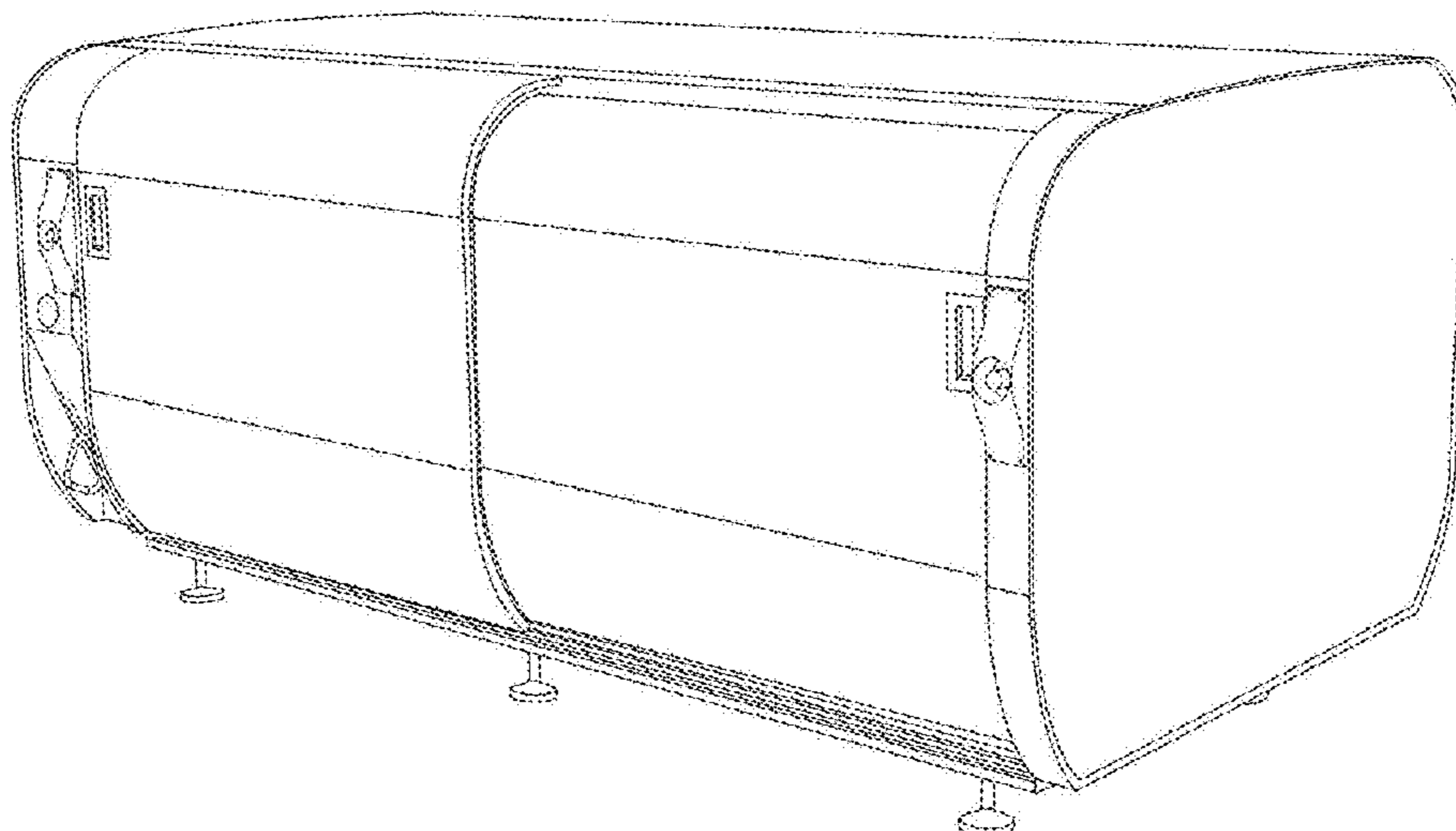
(57) **CLAIM**

The ornamental design for a shed for bicycles, as shown and  
described.

**DESCRIPTION**

- 1.1 Perspective.
- 1.2 Rear.
- 1.3 Top.
- 1.4 Side.
- 1.5 Front.
- 1.6 Side.
- 1.7 Perspective.
- 2.1 Perspective.
- 2.2 Rear.
- 2.3 Side.
- 2.4 Top.
- 2.5 Side.
- 2.6 Front.
- 2.7 Perspective.

**1 Claim, 14 Drawing Sheets**



(56)

**References Cited**

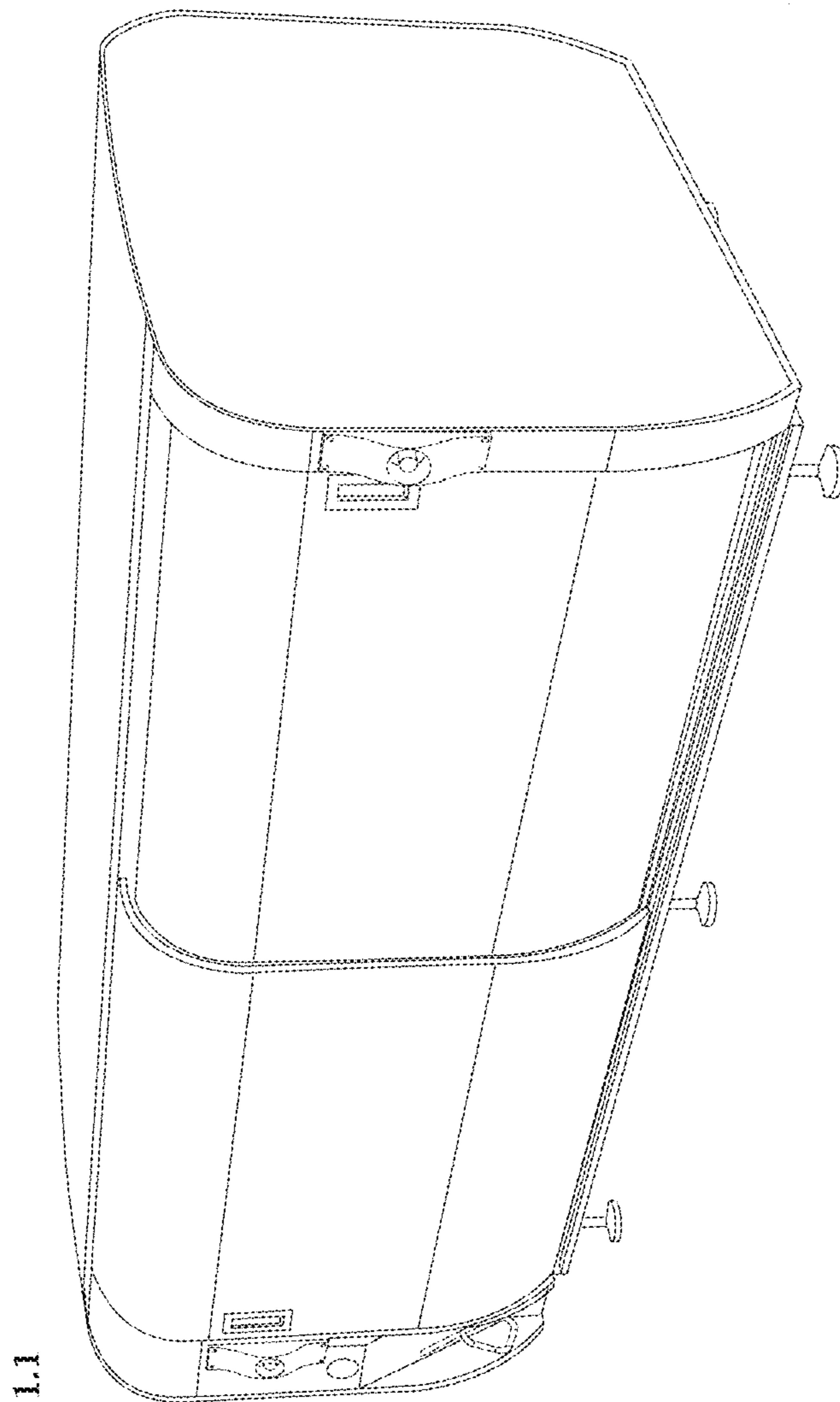
U.S. PATENT DOCUMENTS

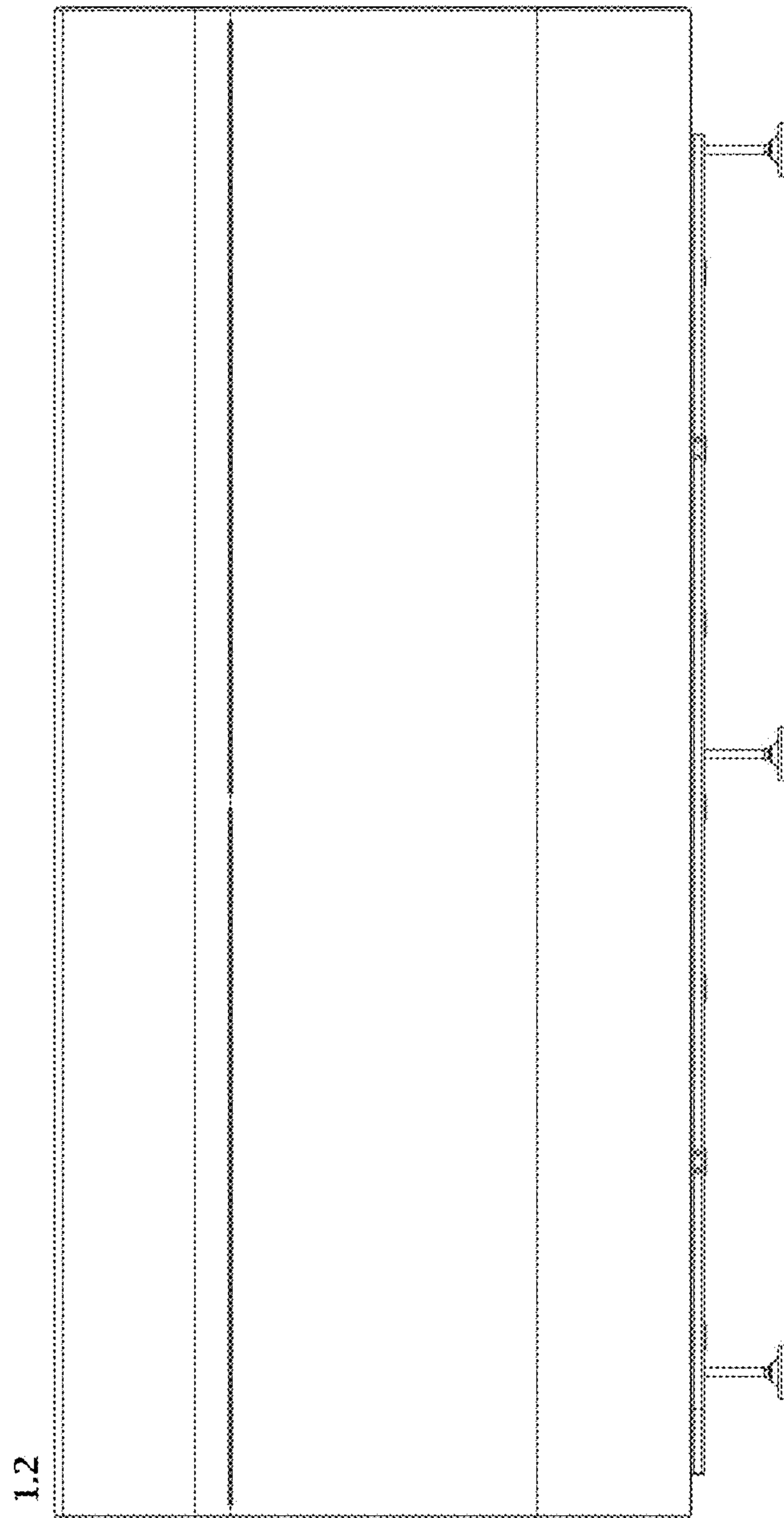
2013/0001908 A1\* 1/2013 Karppinen ..... E04H 6/005  
280/79.2  
2016/0312487 A1\* 10/2016 Gambarotta ..... E04H 6/12  
2016/0325798 A1\* 11/2016 McPherson ..... B65D 85/68  
2019/0301183 A1\* 10/2019 Shin ..... E04H 1/005  
2020/0080333 A1\* 3/2020 Zahn ..... E04H 6/42

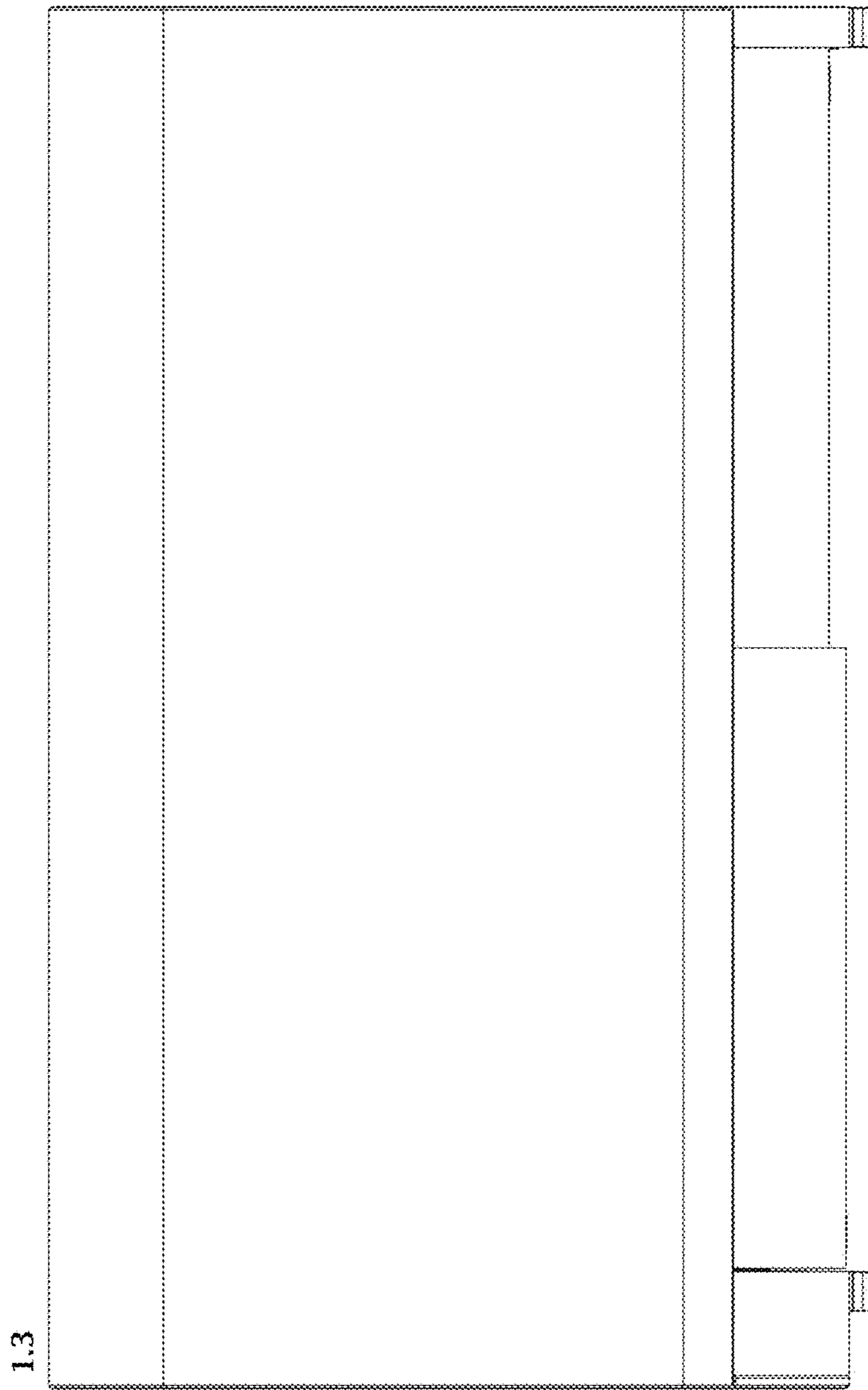
OTHER PUBLICATIONS

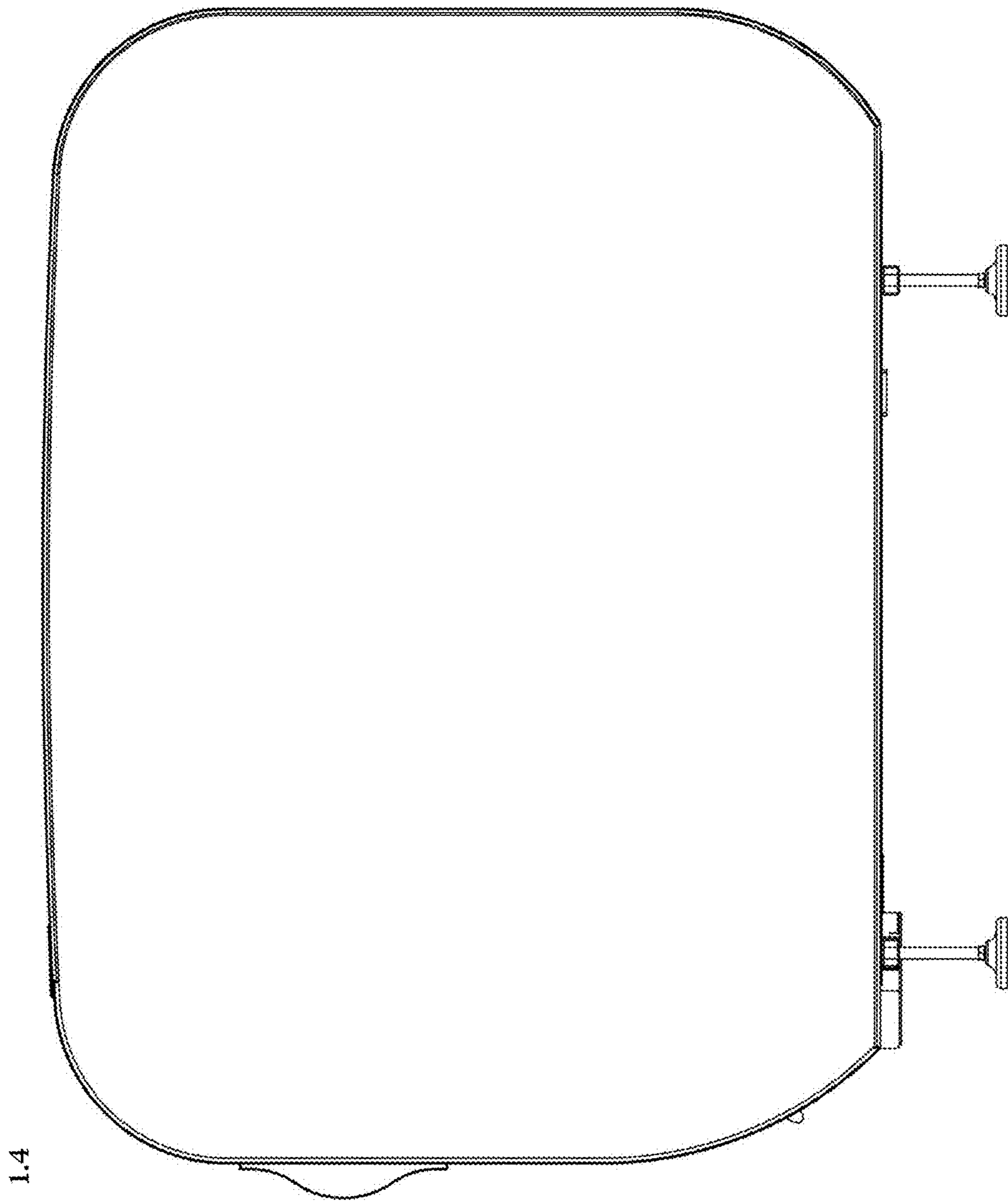
50\_innovative\_secure\_bicycle\_shelters\_in\_Paris (available online)  
Retrieved from the internet May 18, 2022 from URL: <https://www.altinnova.com/realisations/realisation-abris-velos/abris-velos-paris/> 1.\*

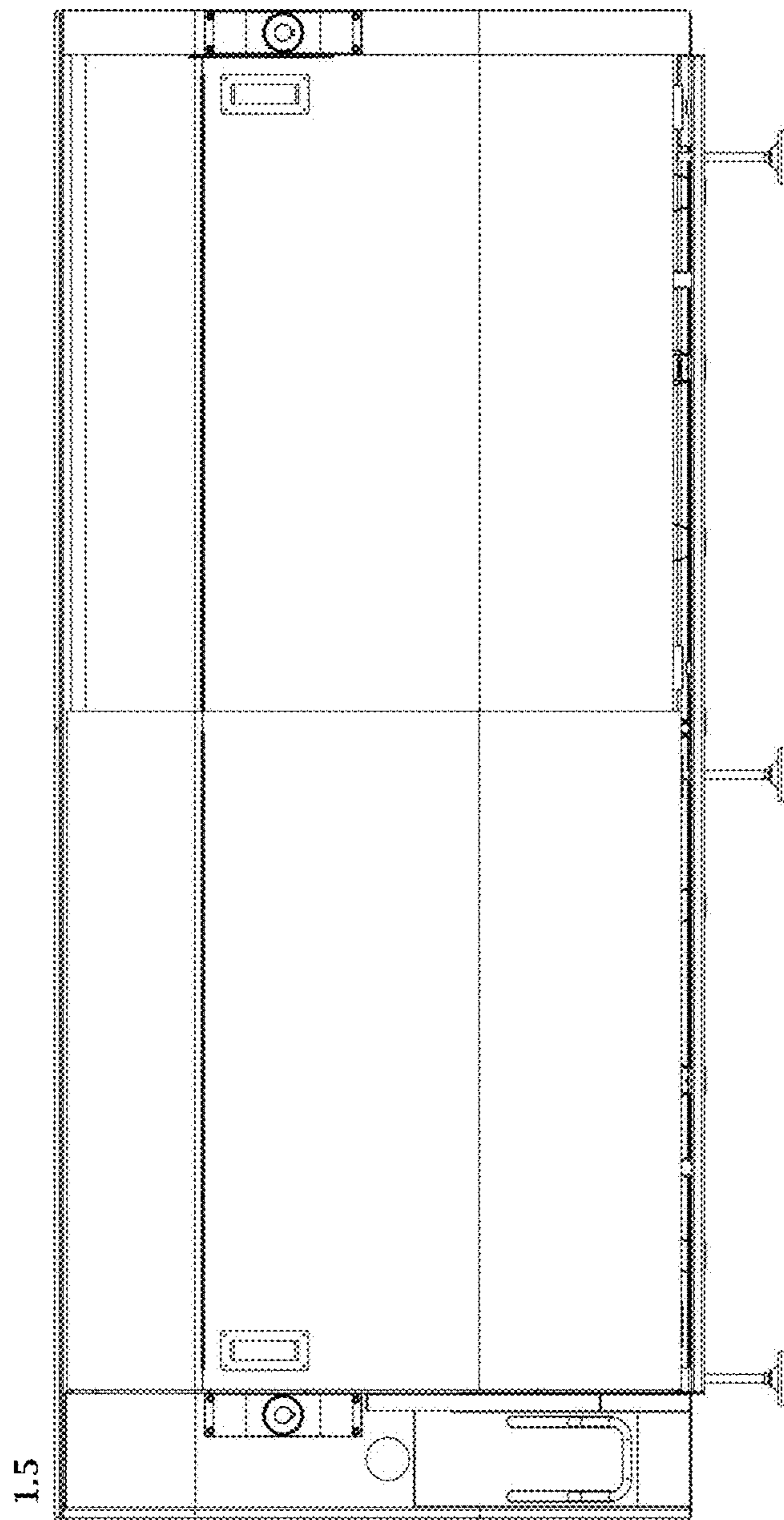
\* cited by examiner

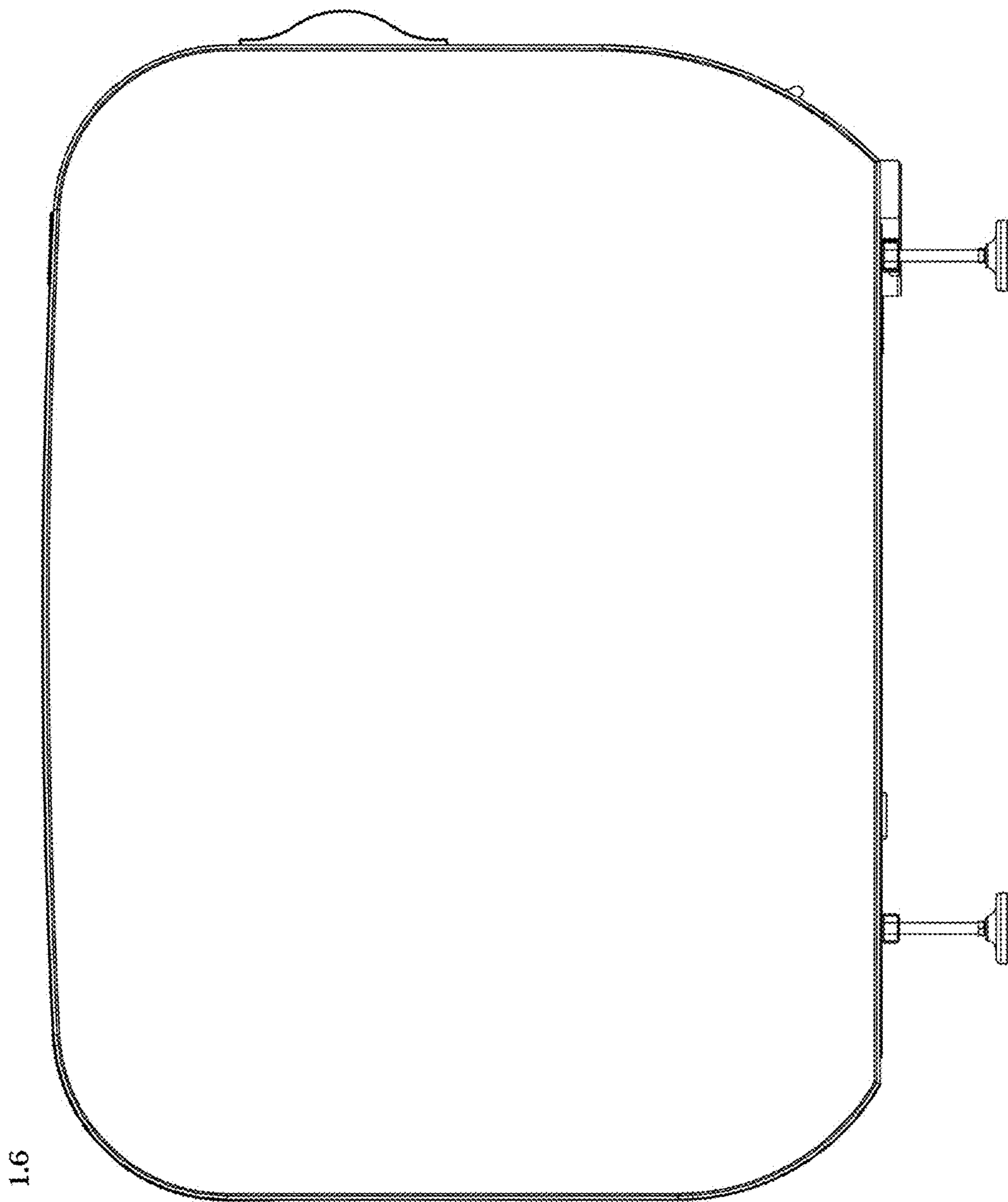




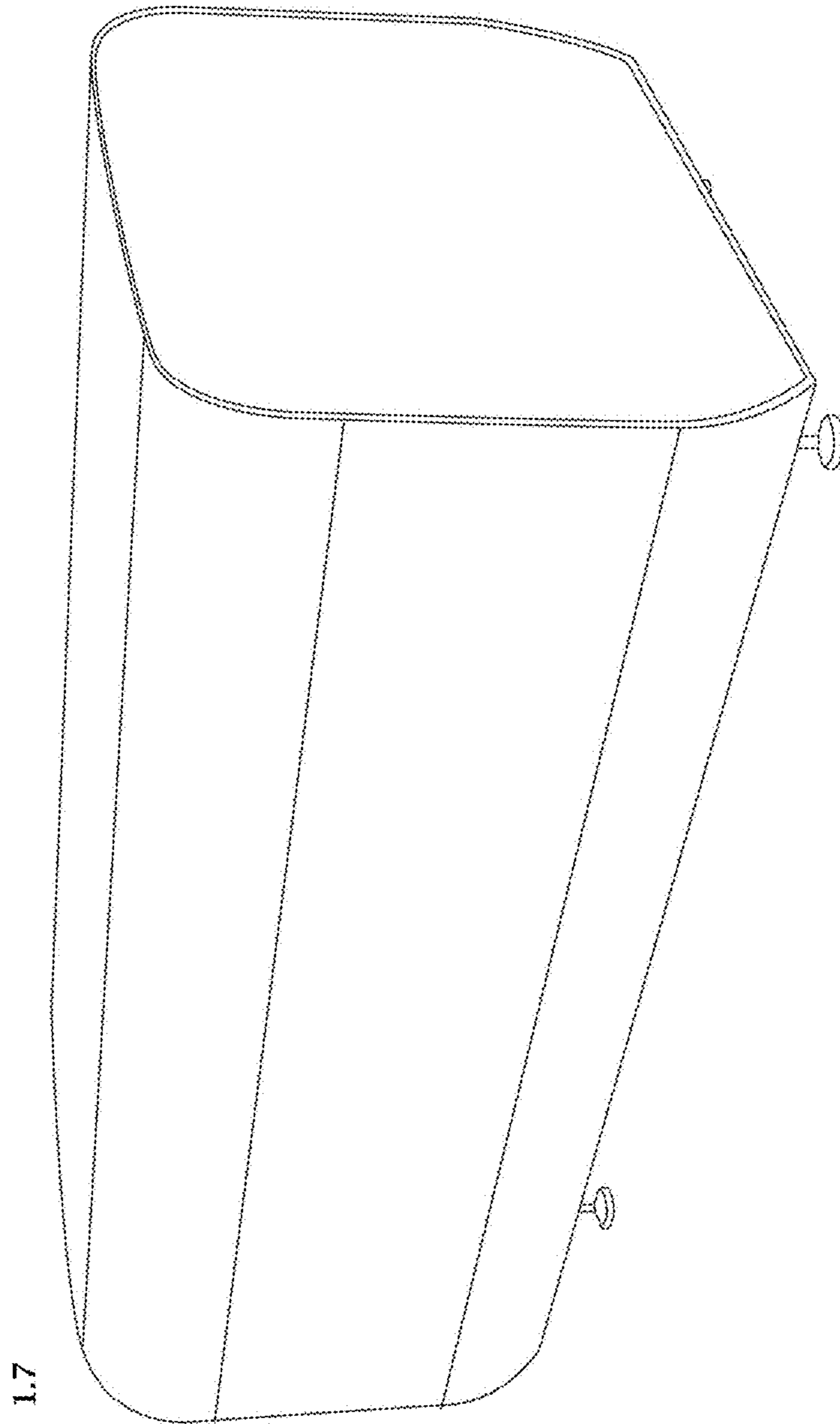


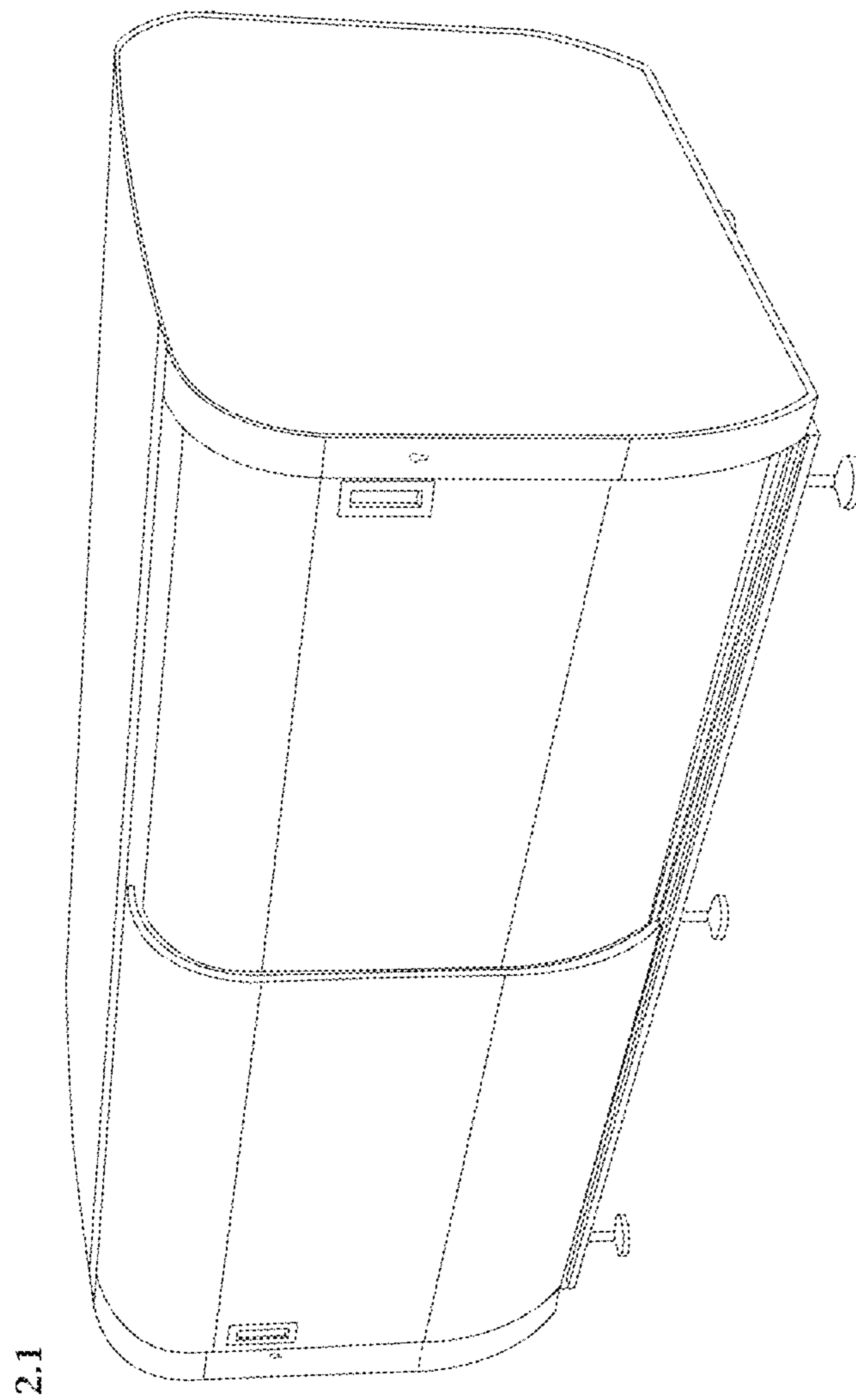


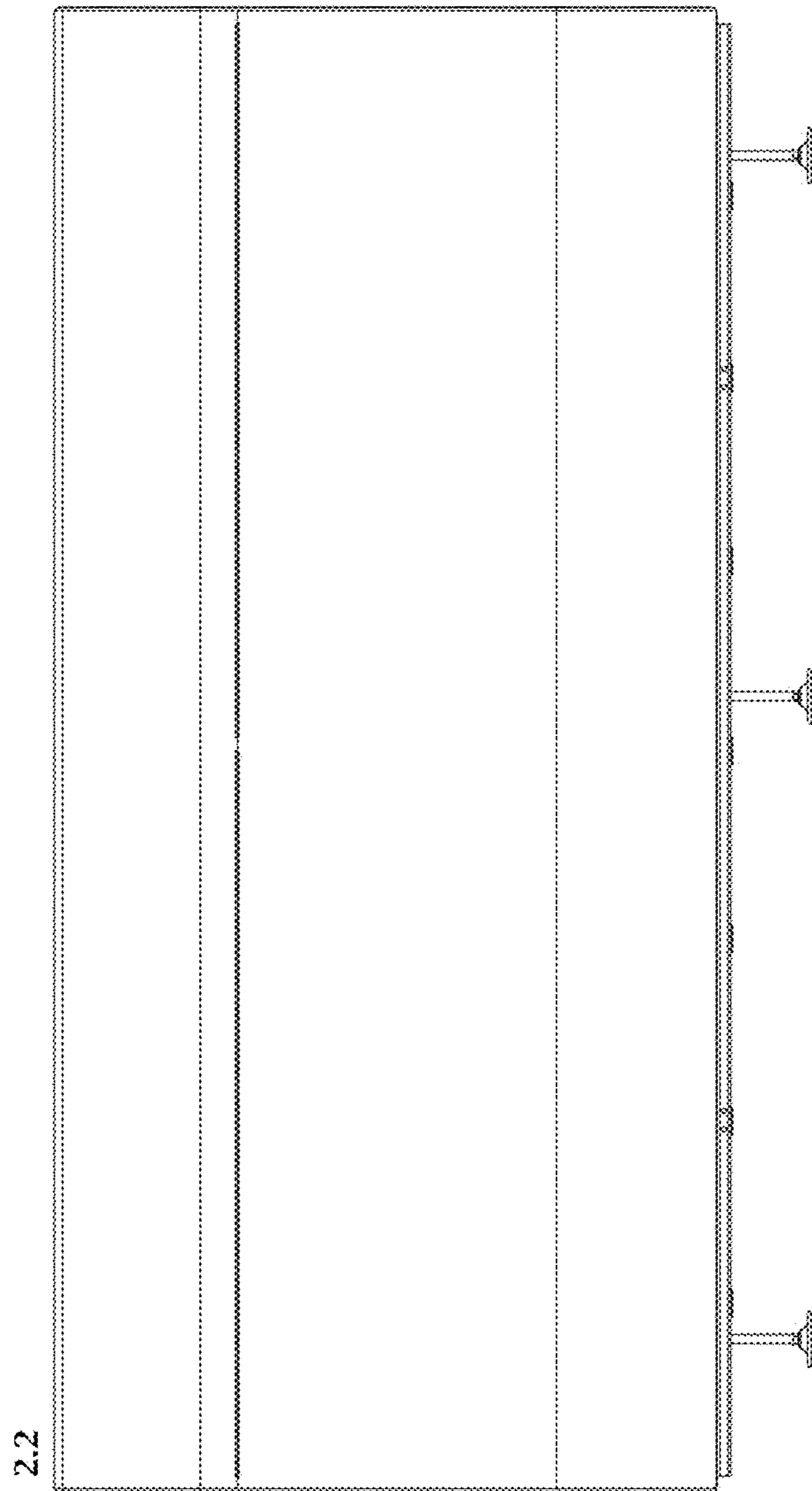


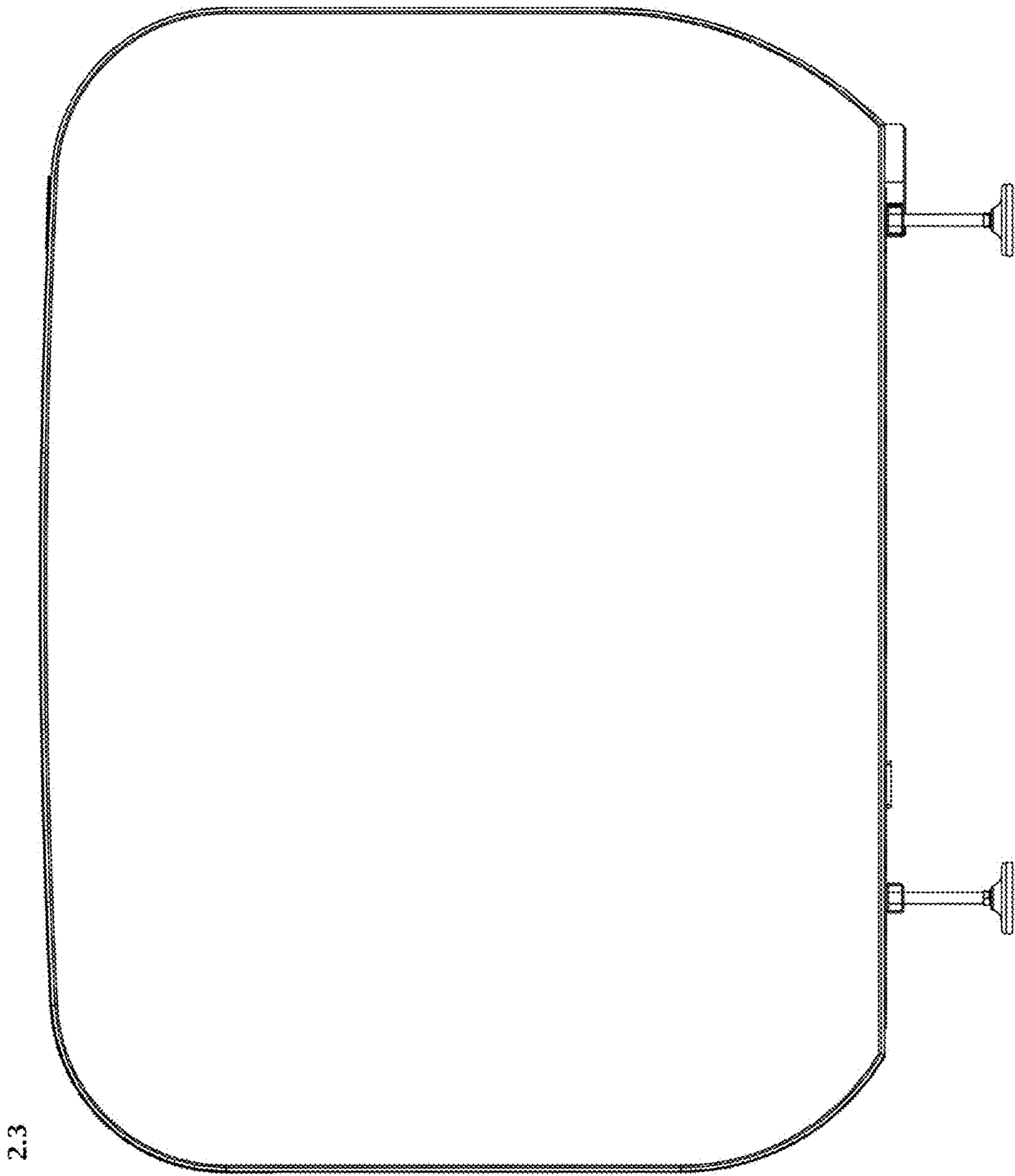












2.3

