



US00D973901S

(12) **United States Design Patent** (10) **Patent No.:** **US D973,901 S**
Bonnoitt, Jr. et al. (45) **Date of Patent:** **** Dec. 27, 2022**

(54) **PIPETTE TIP DISPENSER**
(71) Applicant: **Integra Biosciences AG**, Zizers (CH)
(72) Inventors: **George K. Bonnoitt, Jr.**, Amherst, NH (US); **Christopher LaCroix**, Bedford, NH (US)
(73) Assignee: **Integra Biosciences AG**, Zizers (CH)

D886,321 S * 6/2020 Motadel D24/229
D888,280 S * 6/2020 Motadel D24/229
D928,343 S * 8/2021 Bonnoitt, Jr. D24/227
2005/0082243 A1 4/2005 Lahti et al.
2010/0266457 A1* 10/2010 Rethwisch B01L 9/543
422/511
2016/0001292 A1 1/2016 Motadel et al.
2016/0288126 A1 10/2016 Motadel et al.
2019/0275528 A1 9/2019 Rethwisch et al.

(**) Term: **15 Years**

(21) Appl. No.: **29/714,768**

(22) Filed: **Nov. 26, 2019**

(51) **LOC (13) Cl.** **24-02**

(52) **U.S. Cl.**
USPC **D24/227**

(58) **Field of Classification Search**
USPC D24/107, 169, 186, 216, 223–230;
D9/345, 434, 455, 752, 753; D3/201,
D3/203.1–203.8, 206, 273–274, 276,
D3/281–282, 290–292, 294, 900–901,
D3/903, 905; D7/602, 605, 629–630, 709
CPC B01L 9/00; B01L 9/543; G01N 35/1011
See application file for complete search history.

(56) **References Cited**

U.S. PATENT DOCUMENTS

D299,586 S * 1/1989 Lanius D3/905
D328,015 S * 7/1992 Hall D7/629
D342,609 S * 12/1993 Brightbill D3/294
D419,767 S * 2/2000 Richardson D3/273
6,221,317 B1 4/2001 Carl
D471,710 S * 3/2003 Rushworth D3/276
D525,714 S * 7/2006 Ueda D24/227
D679,025 S * 3/2013 Motadel D24/227
D743,047 S * 11/2015 Asao D24/226
9,352,324 B2 5/2016 Rethwisch et al.
D758,806 S * 6/2016 Morales D3/276
D873,436 S * 1/2020 O’Connell D24/229

OTHER PUBLICATIONS

[Eppendorf] Pipette Tips epT.I.P.S.®. Online, published date unknown.
Retrieved on May 1, 2022 from URL: [https://estore.biohaus.my/products/\[Eppendorf\]-Pipette-Tips-epT.I.P.S.%C2%AE/1713.*](https://estore.biohaus.my/products/[Eppendorf]-Pipette-Tips-epT.I.P.S.%C2%AE/1713.*)

(Continued)

Primary Examiner — Omeed Agilee

(74) *Attorney, Agent, or Firm* — Andrus Intellectual Property Law, LLP

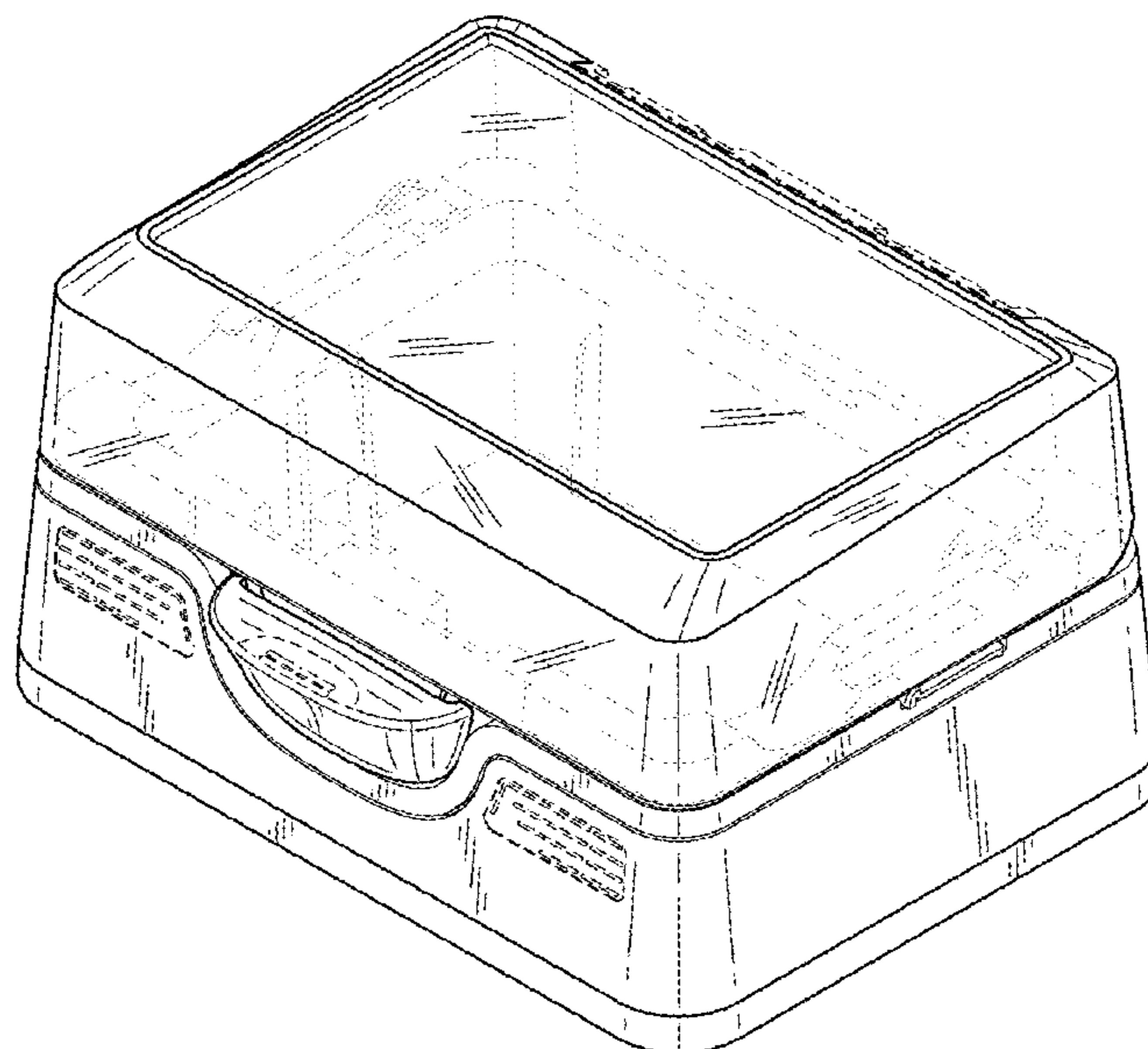
(57) **CLAIM**

The ornamental design for a pipette tip dispenser, as shown and described.

DESCRIPTION

FIG. 1 is a front perspective view of a pipette tip dispenser showing the new design;
FIG. 2 is a rear perspective view;
FIG. 3 is a front side elevation;
FIG. 4 is a rear side elevation view;
FIG. 5 is a left side elevation view;
FIG. 6 is a right side elevation view;
FIG. 7 is a top plan view; and,
FIG. 8 is a bottom plan view.
The dashed lines in the drawings depict portions of the pipette tip dispenser that form no part of the claimed design. The dot-dash lines depict the boundaries of the claim and form no part thereof.

1 Claim, 8 Drawing Sheets



(56)

References Cited

OTHER PUBLICATIONS

Liquid Handling Brochure, Consumables Peak Perfection, Eppendorf AG, 2018.

Mettler Toledo website for BioClean Pipette Racks: <https://www.mt.com/us/en/home/products/pipettes/bioclean-pipette-tip/packaging>, viewed Mar. 18, 2020.

* cited by examiner

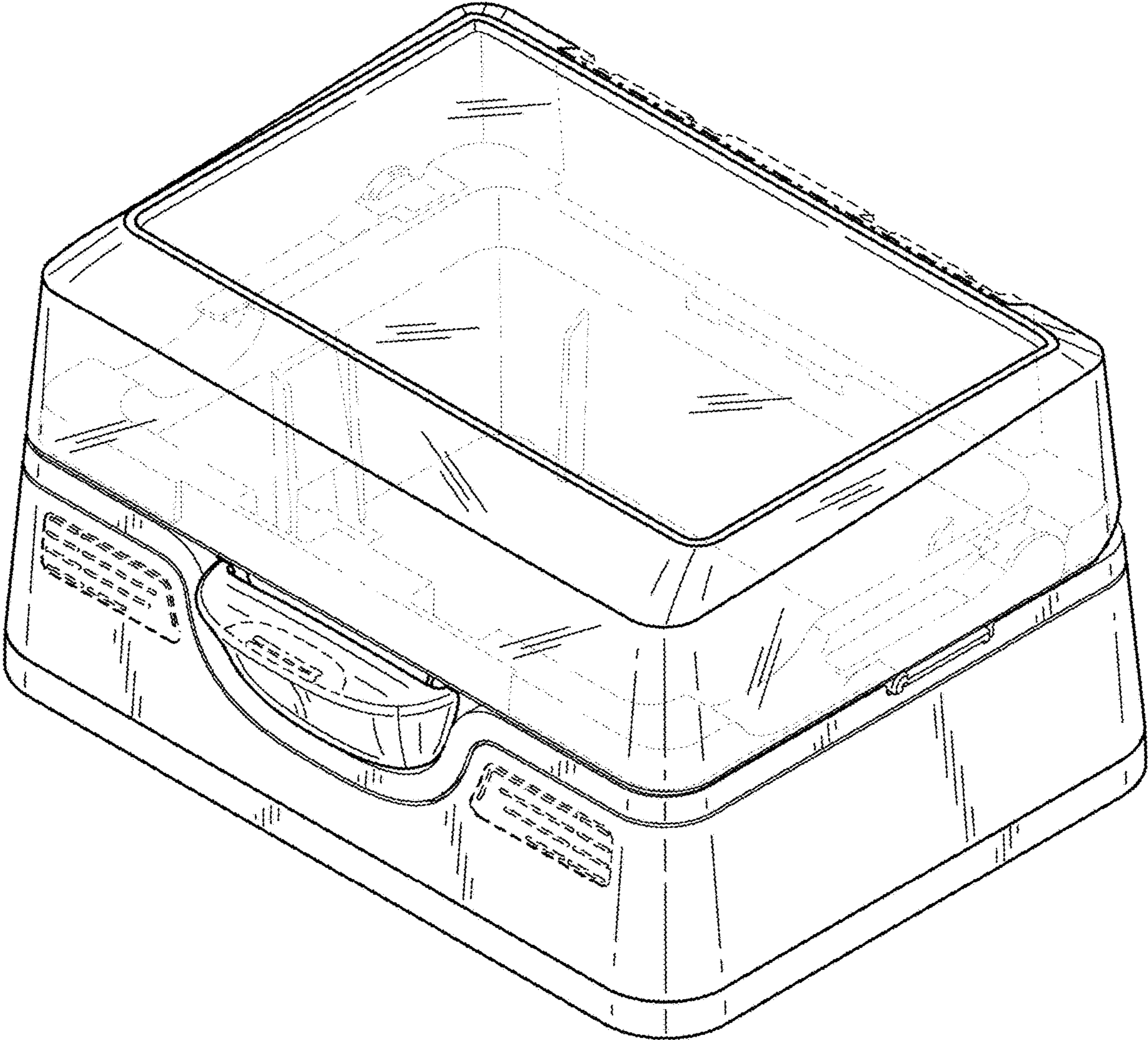


FIG. 1

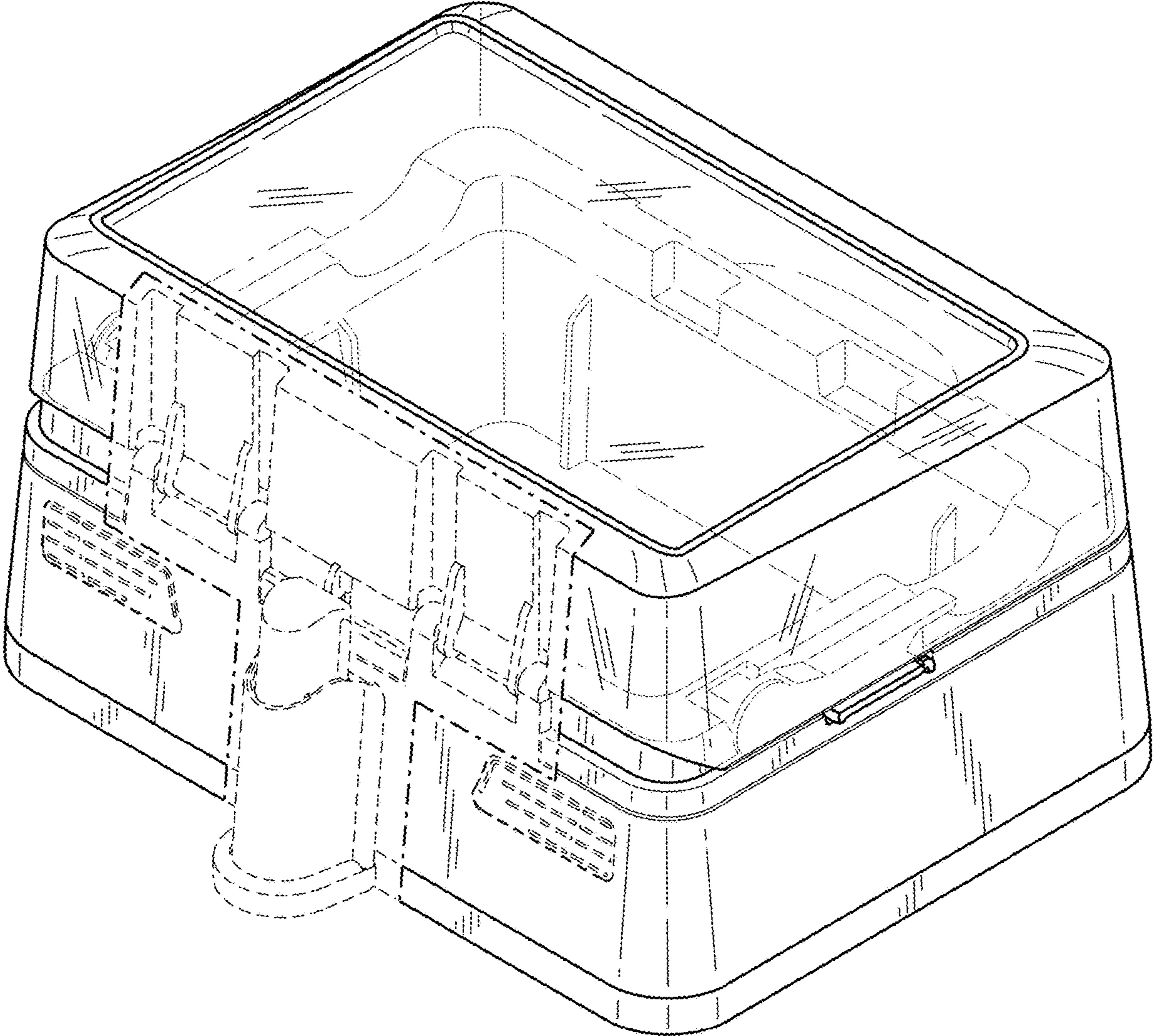


FIG. 2

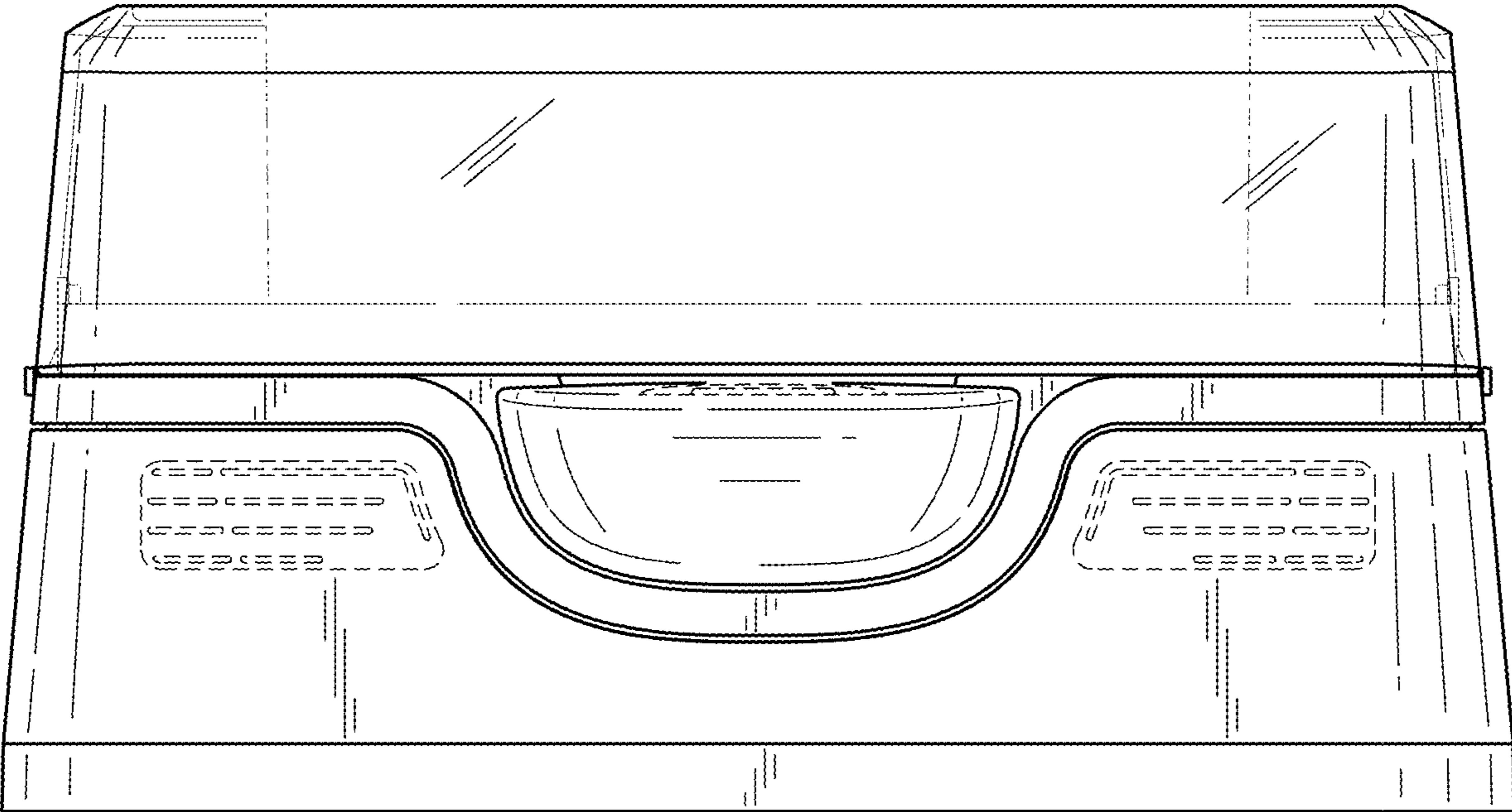


FIG. 3

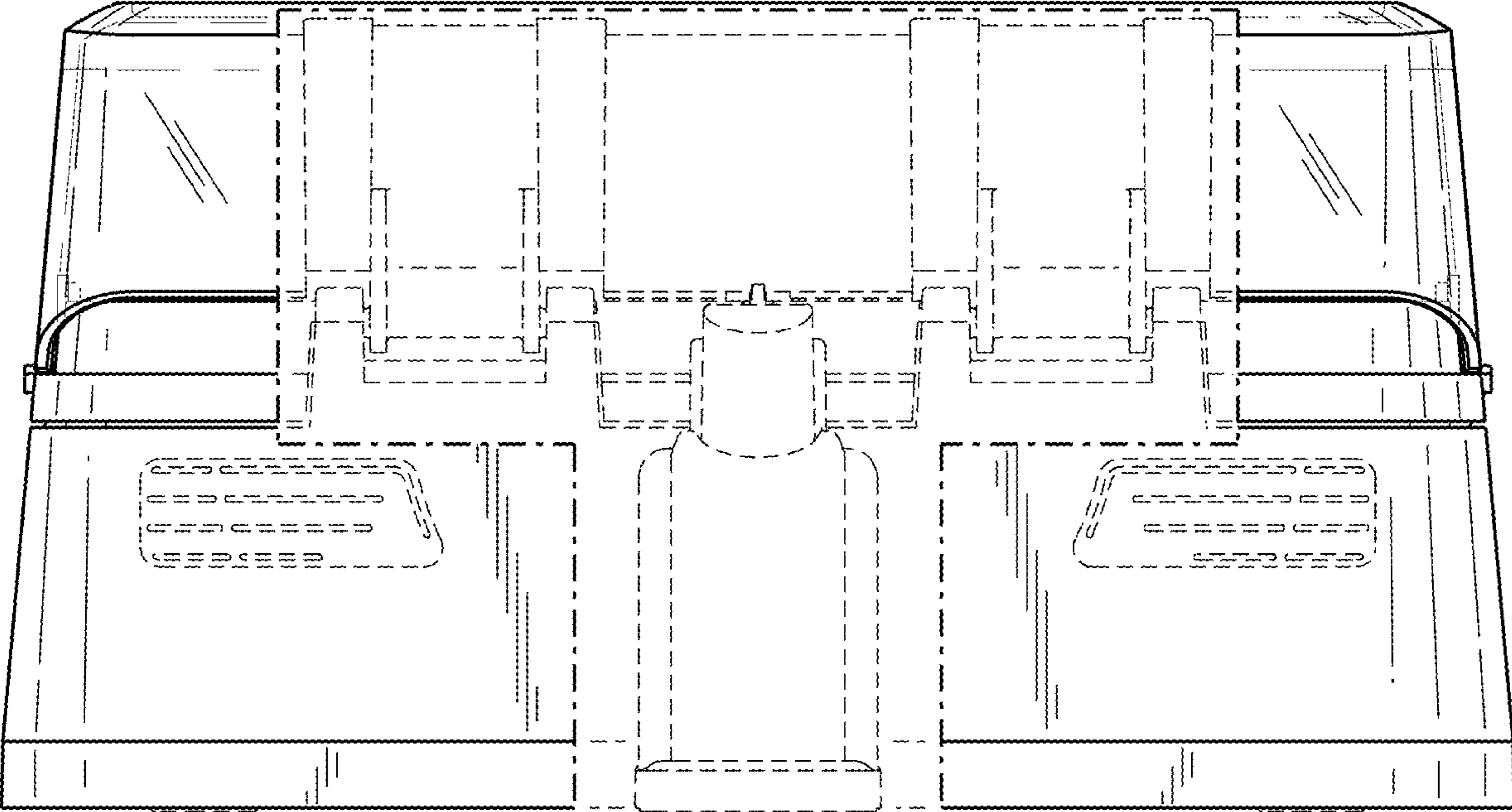


FIG. 4

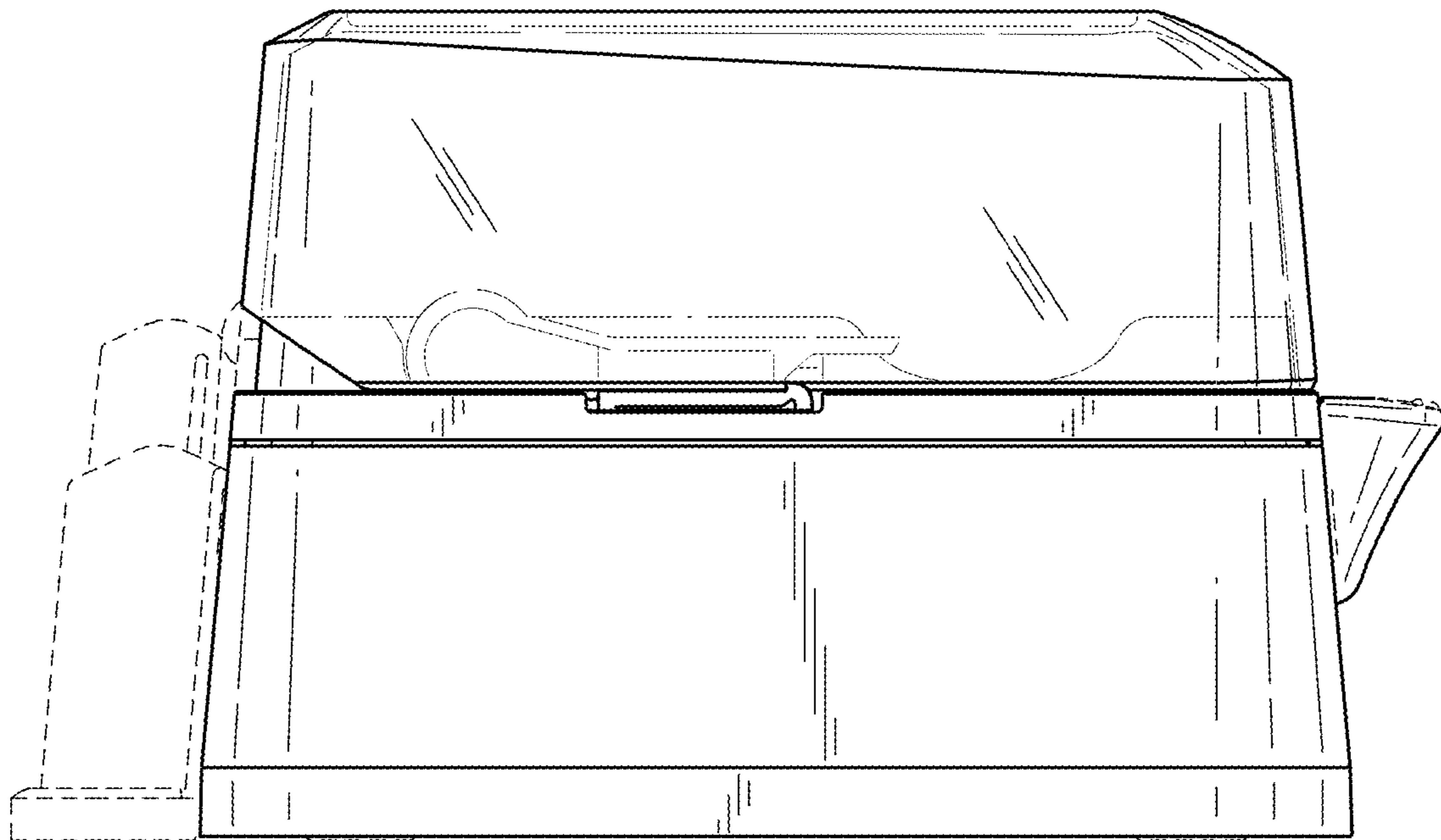


FIG. 5

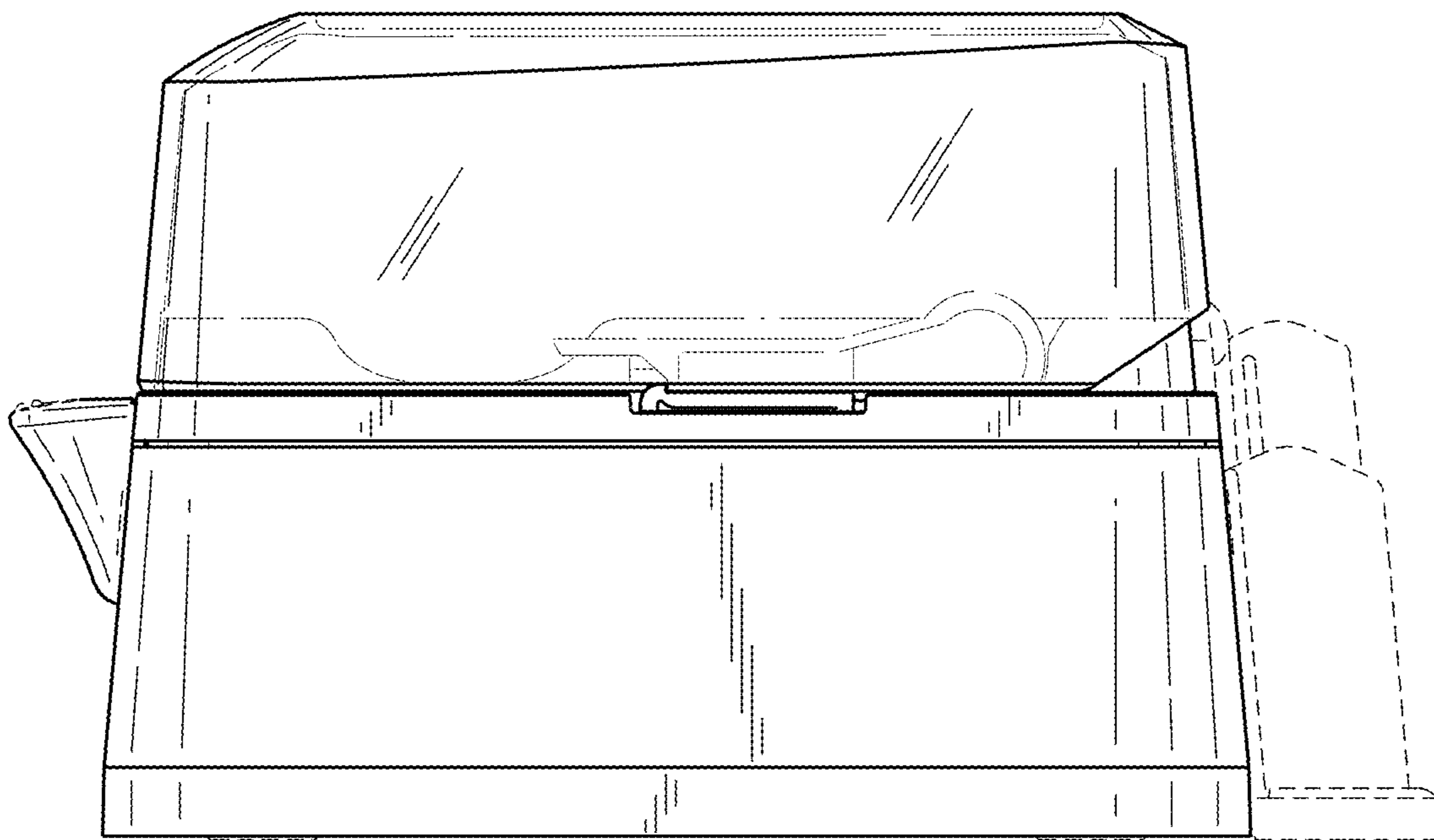


FIG. 6

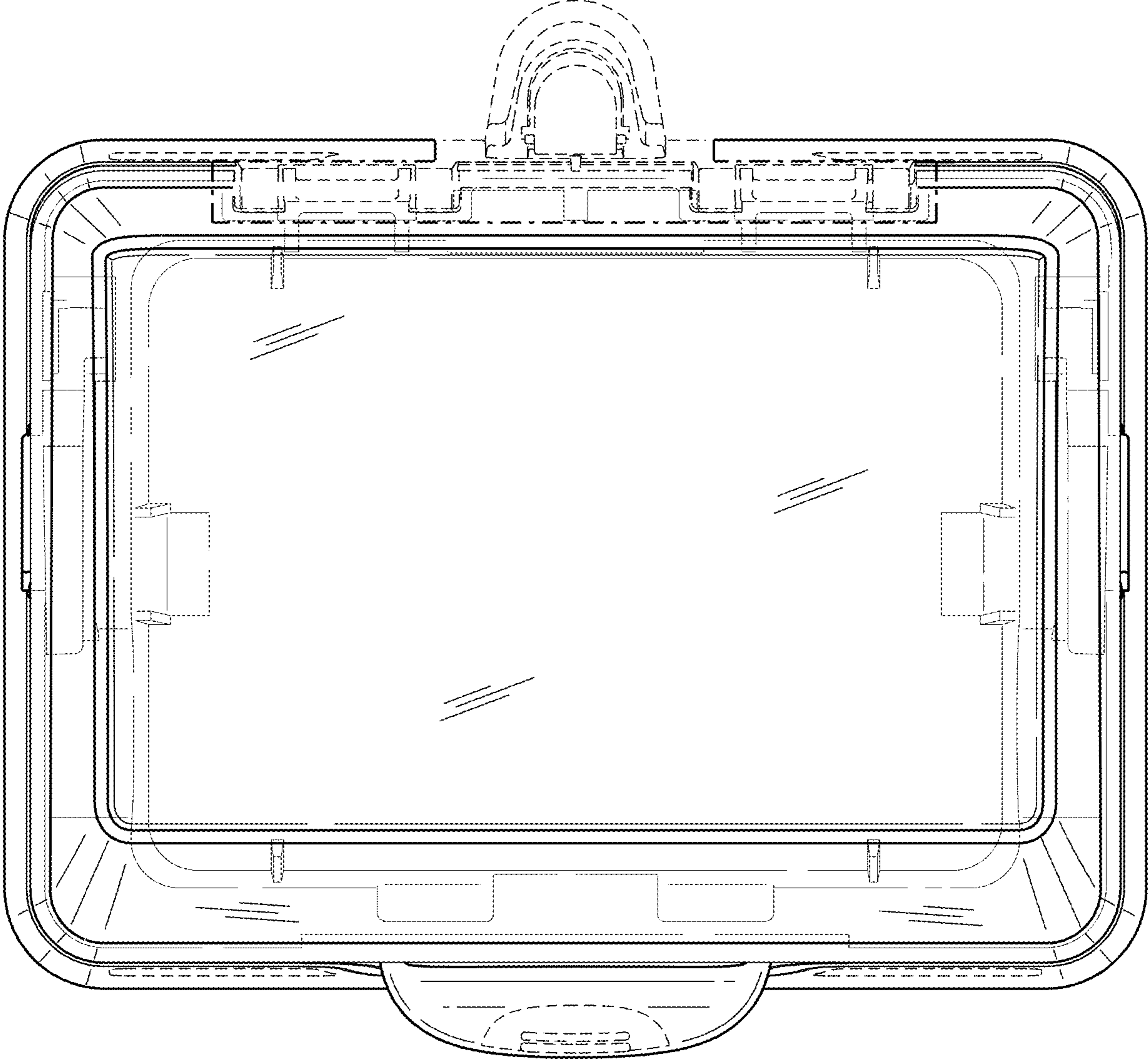


FIG. 7

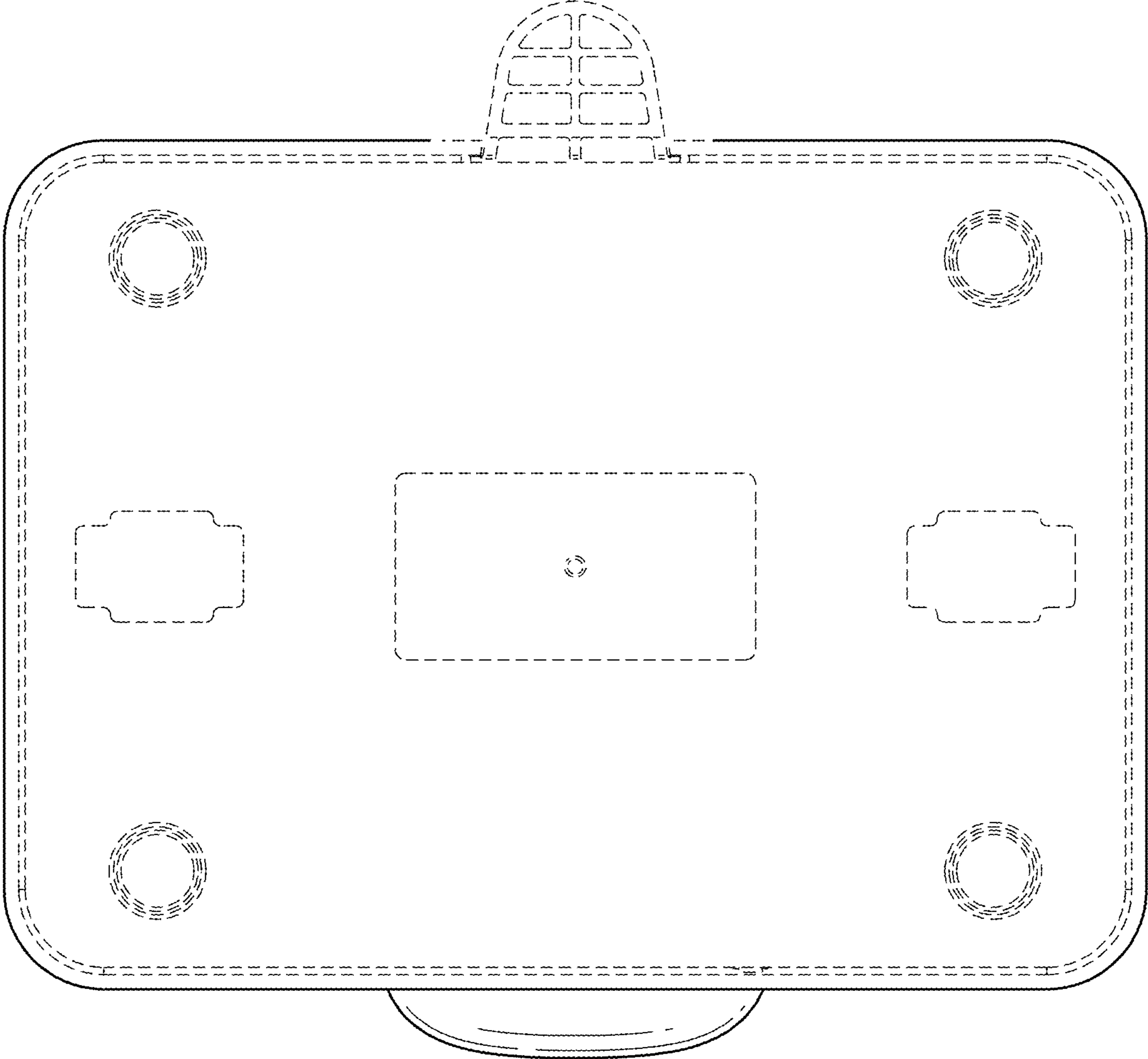


FIG. 8