



US00D973899S

(12) **United States Design Patent**
Maw et al.

(10) **Patent No.:** **US D973,899 S**
(45) **Date of Patent:** **** Dec. 27, 2022**

(54) **DISINFECTION DEVICE**

(71) Applicant: **SoClean, inc.**, Peterborough, NH (US)

(72) Inventors: **Kurt Michael Maw**, Salem, MA (US);
Robert A. Charles, New Boston, MA (US);
Michael Le, Somerville, MA (US);
Julianna Miller, Boston, MA (US)

(73) Assignee: **SOCLEAN INC.**, Peterborough, NH (US)

(**) Term: **15 Years**

(21) Appl. No.: **29/753,970**

(22) Filed: **Oct. 5, 2020**

(51) **LOC (13) Cl.** **24-02**

(52) **U.S. Cl.**
USPC **D24/217**

(58) **Field of Classification Search**
USPC D23/207, 208, 209, 210, 235, 355, 363,
D23/365; D24/162, 217, 229
(Continued)

(56) **References Cited**

U.S. PATENT DOCUMENTS

D355,241 S * 2/1995 Zylstra D23/209
D421,089 S * 2/2000 Fujita D23/209
(Continued)

OTHER PUBLICATIONS

HomeSoap UV Sanitizer, Oct. 18, 2019, Amazon, site visited Mar. 7, 2022: <https://www.amazon.com/dp/B07Z9NZHBR/> (Year: 2019).*
(Continued)

Primary Examiner — Jack Reickel
Assistant Examiner — Bobby W Jones, II

(74) *Attorney, Agent, or Firm* — Grossman, Tucker, Perreault & Pleger, PLLC

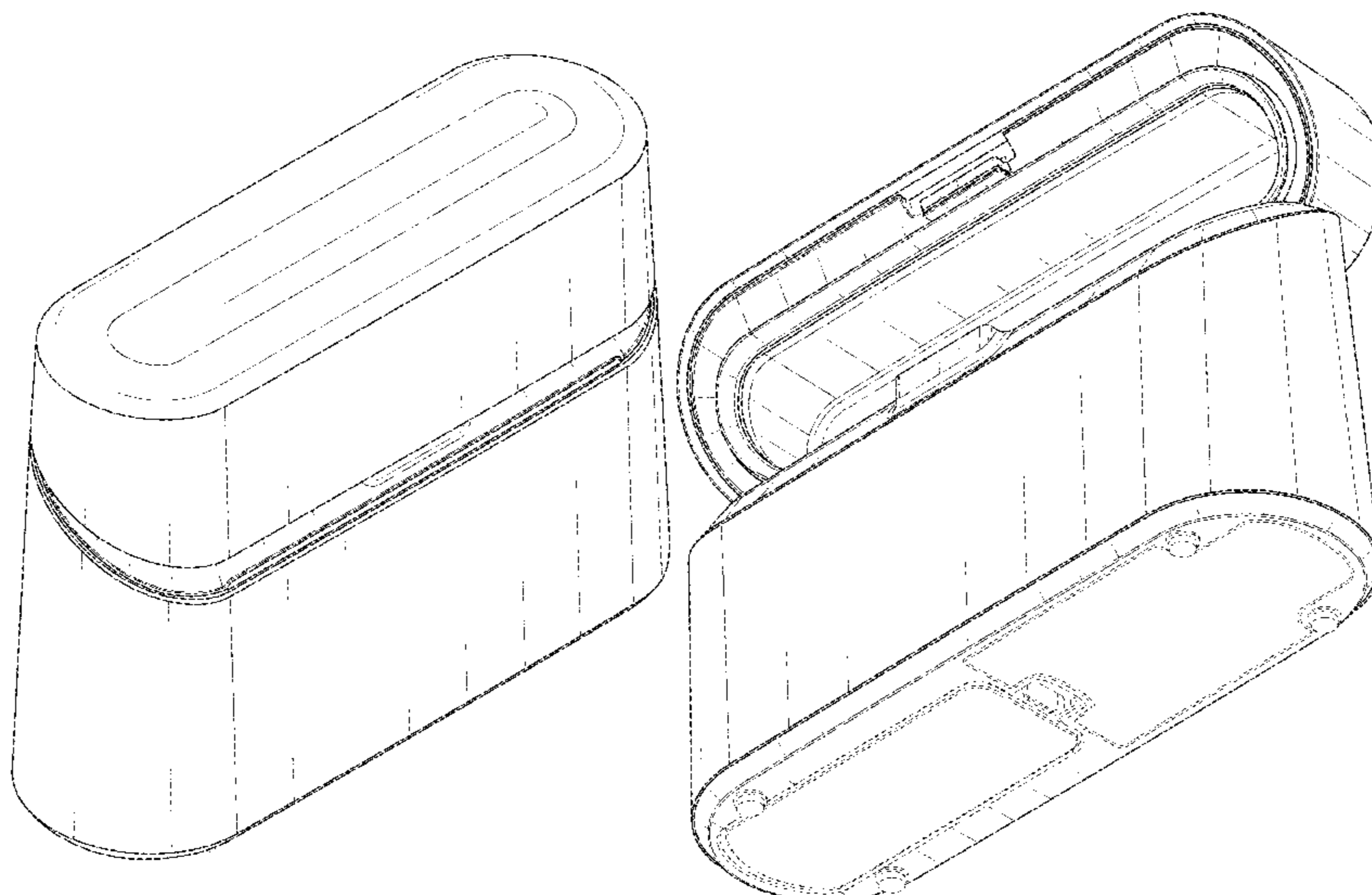
(57) **CLAIM**

The ornamental design for a disinfection device, as shown and described.

DESCRIPTION

FIG. 1 is a top front right perspective view of a disinfection device, showing the new design in a lid closed configuration; FIG. 2 is a top front left perspective view thereof; FIG. 3 is a top rear left perspective view thereof; FIG. 4 is a top rear right perspective view thereof; FIG. 5 is a bottom front right perspective view thereof; FIG. 6 is a bottom front left perspective view thereof; FIG. 7 is a bottom rear left perspective view thereof; FIG. 8 is a bottom rear right perspective view thereof; FIG. 9 is a front view thereof; FIG. 10 is a rear view thereof; FIG. 11 is a left side view thereof; FIG. 12 is a right side view thereof; FIG. 13 is a top view thereof; FIG. 14 is a bottom view thereof; FIG. 15 is a top front right perspective view of the disinfection device, showing the new design in a lid open configuration; FIG. 16 is a top front left perspective view thereof; FIG. 17 is a top rear left perspective view thereof; FIG. 18 is a top rear right perspective view thereof; FIG. 19 is a bottom front right perspective view thereof; FIG. 20 is a bottom front left perspective view thereof; FIG. 21 is a bottom rear left perspective view thereof; FIG. 22 is a bottom rear right perspective view thereof; FIG. 23 is a front view thereof; FIG. 24 is a rear view thereof; FIG. 25 is a left side view thereof; FIG. 26 is a right side view thereof; FIG. 27 is a top view thereof; and, FIG. 28 is a bottom view thereof.
Broken lines in the figures show portions of the disinfection device that form no part of the claimed design.

1 Claim, 23 Drawing Sheets



(58) **Field of Classification Search**

CPC B01D 27/00; B01D 27/08; B01D 35/02;
B01D 2201/309; B01D 2201/4023; C02F
2201/002; C02F 2307/10; A61L 2/202;
A61L 2/26

See application file for complete search history.

(56) **References Cited**

U.S. PATENT DOCUMENTS

D669,595 S * 10/2012 Schofield D24/217
D679,825 S * 4/2013 Elkerbout D24/217
D719,673 S * 12/2014 Leyva D24/217
D719,674 S * 12/2014 Leyva D24/217
D729,941 S * 5/2015 Hu D24/217
D759,797 S * 6/2016 Farone D23/355
9,669,124 B2 * 6/2017 Leyva A61L 2/202
D802,788 S * 11/2017 Cormier D24/229
D819,699 S * 6/2018 Krull D15/5
D825,778 S * 8/2018 Brenner D24/232
D855,151 S * 7/2019 Joo D23/207
D889,681 S * 7/2020 Maw D24/217
D889,682 S * 7/2020 Maw D24/217

D899,622 S * 10/2020 Maw D24/217
D900,333 S * 10/2020 Xie D24/217
D907,233 S * 1/2021 Wu D24/217
D908,834 S * 1/2021 Cho D23/207
2006/0028820 A1 * 2/2006 Fitzsimmons F25D 27/00
362/276
2009/0308416 A1 * 12/2009 Utz B08B 3/12
134/115 R
2014/0271370 A1 * 9/2014 Sirotin A61L 2/07
422/119
2016/0235876 A1 * 8/2016 Leyva A61L 2/202
2017/0202988 A1 * 7/2017 Clark A61L 2/10
2020/0222568 A1 * 7/2020 Lucio A61L 2/24
2021/0330847 A1 * 10/2021 Ou Yang A61L 2/06
2022/0105211 A1 * 4/2022 Eisner-Wall A61L 2/26

OTHER PUBLICATIONS

ADDOT Premium Portable UV UVC Phone Sterilizer, Mar. 25,
2020, Amazon, site visited Mar. 7, 2022: <https://www.amazon.com/dp/B086D8QJQS/> (Year: 2020).*

* cited by examiner

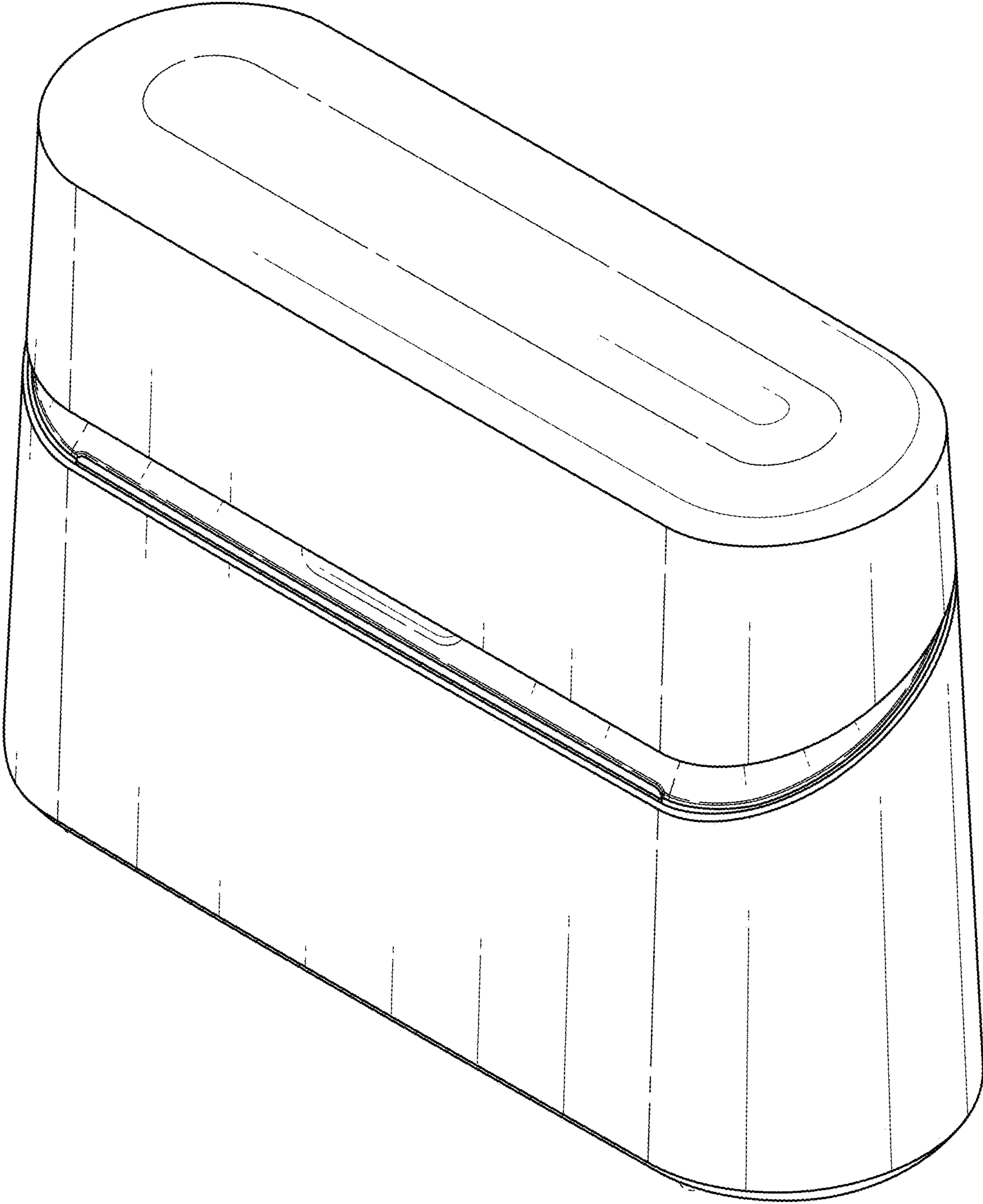


FIG. 1

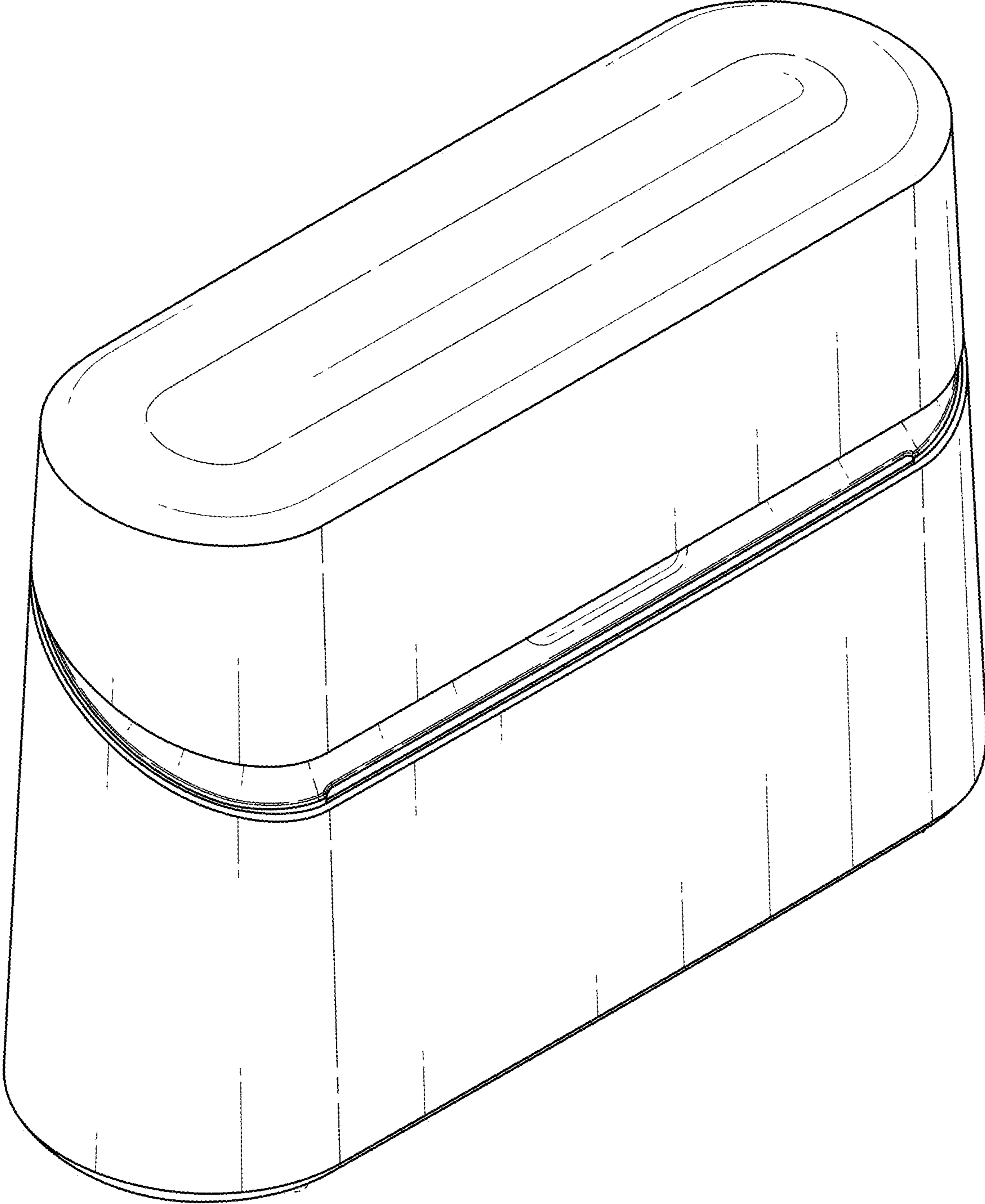


FIG. 2

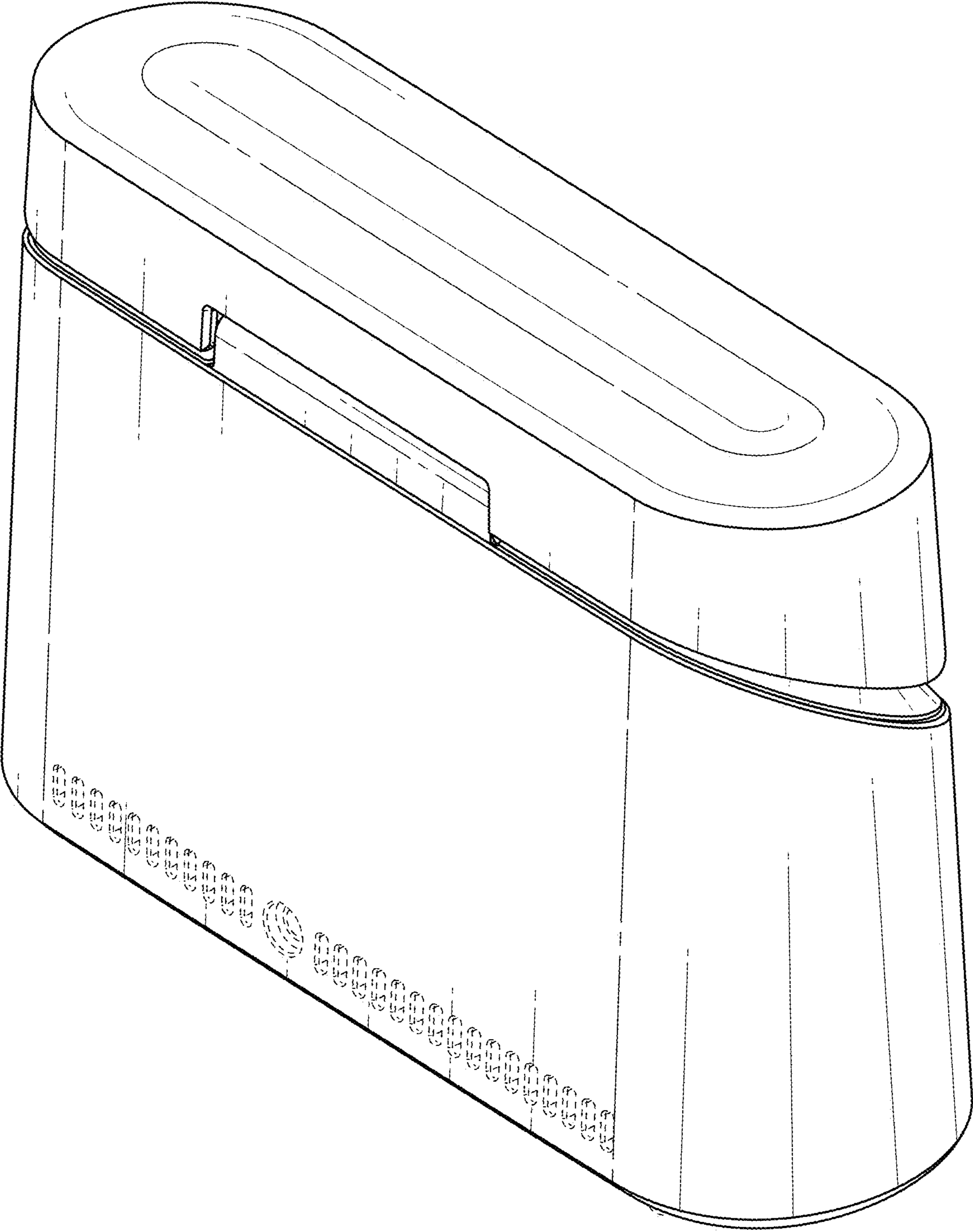


FIG. 3

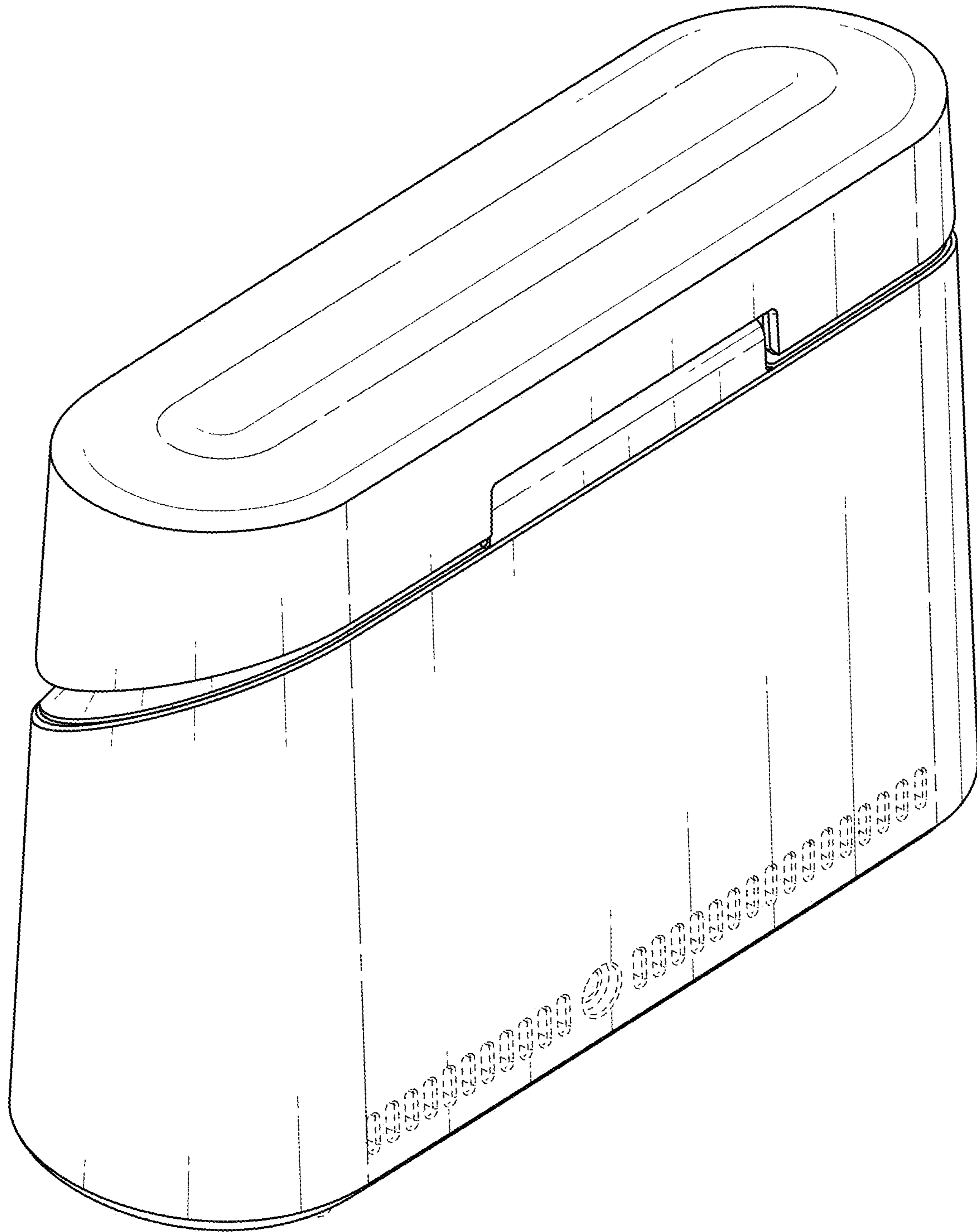


FIG. 4

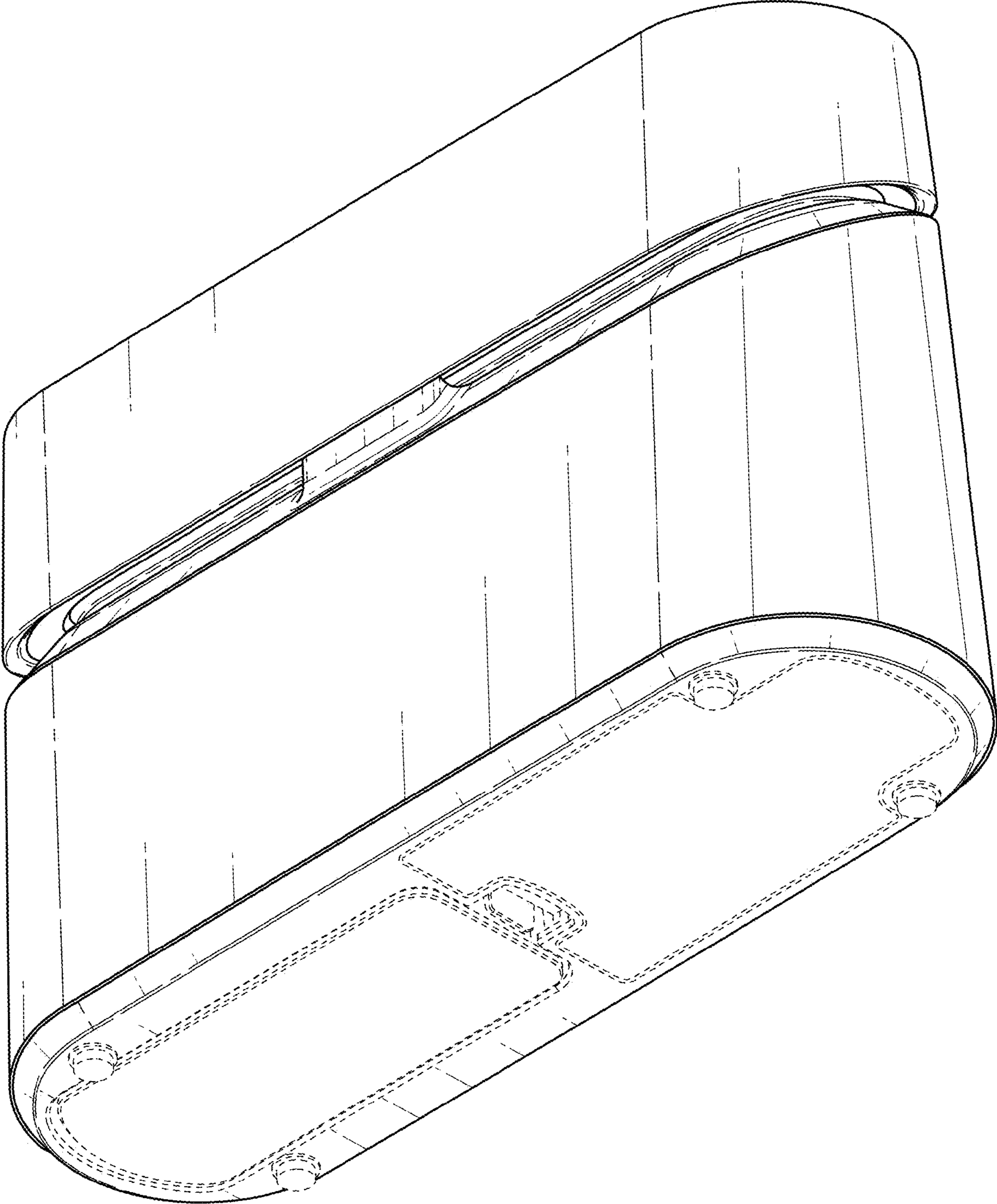


FIG. 5

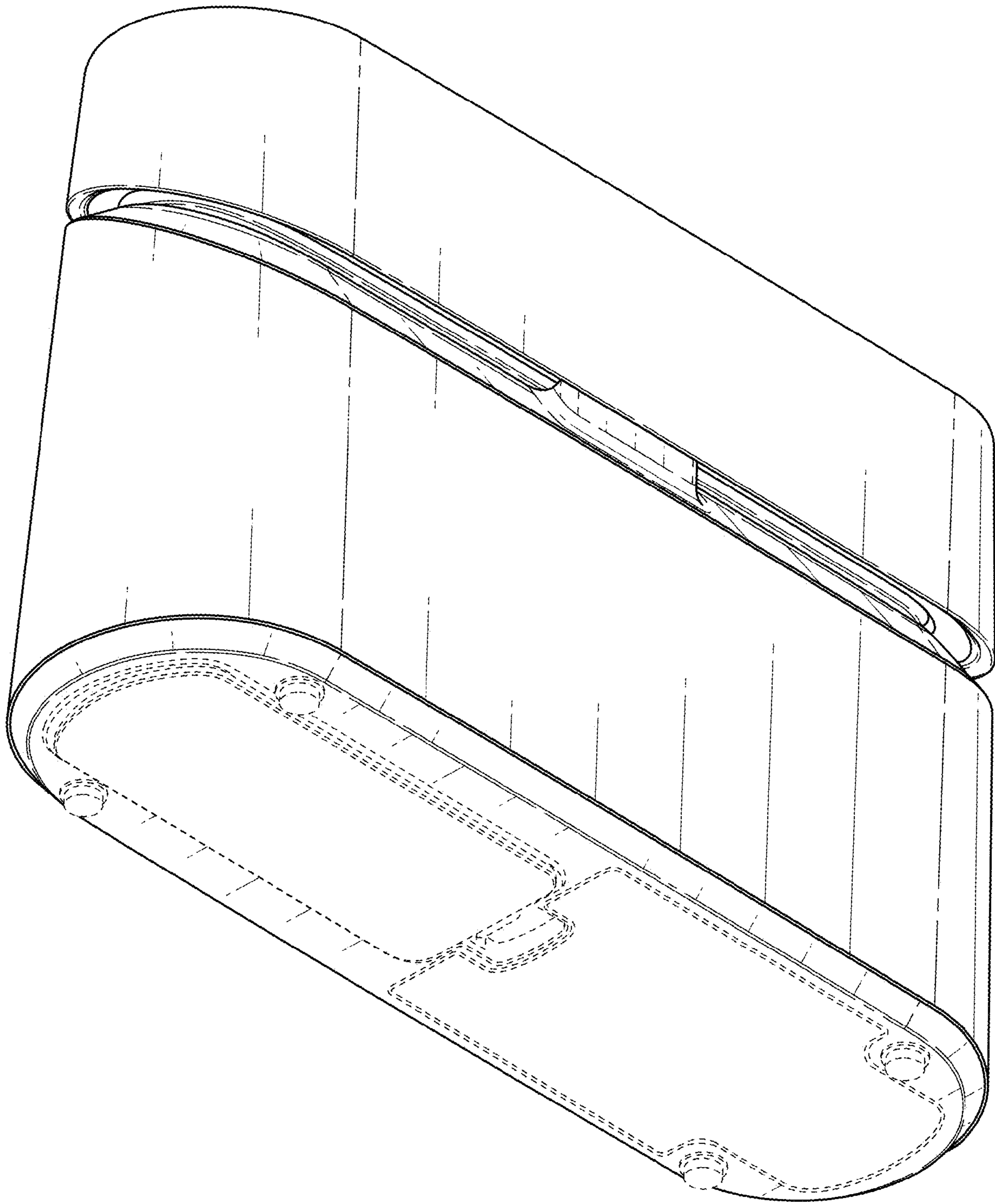


FIG. 6

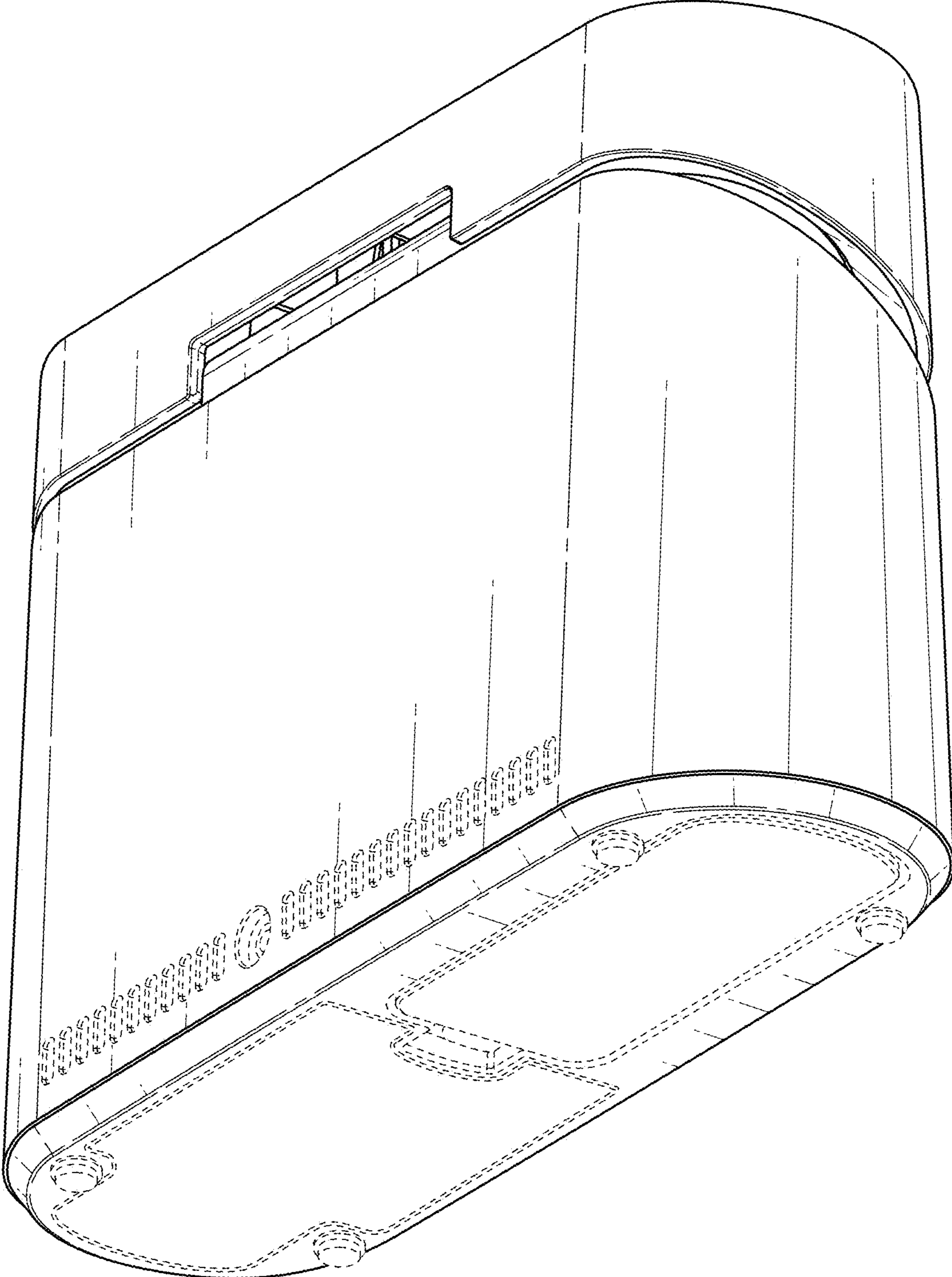


FIG. 7

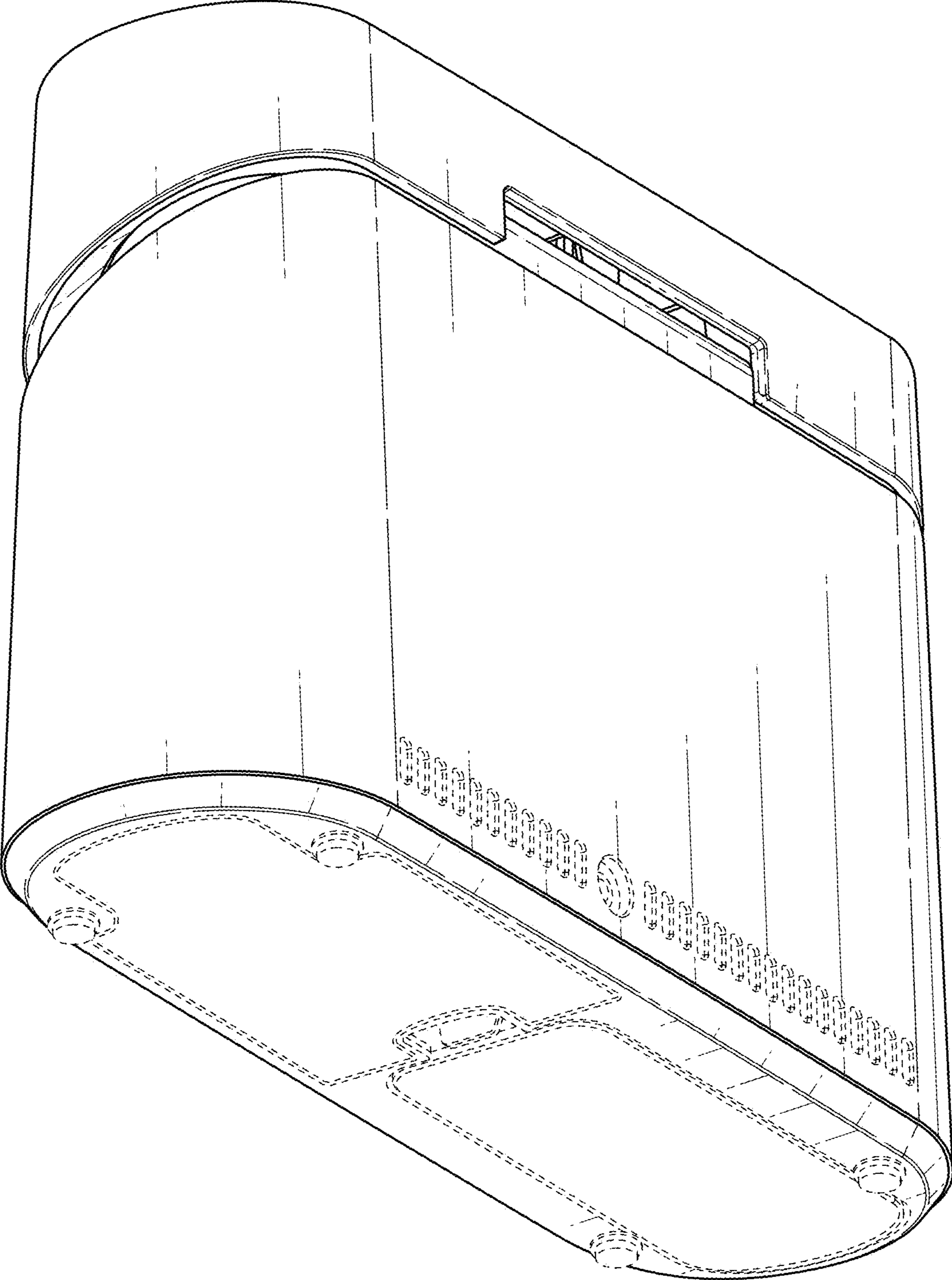


FIG. 8

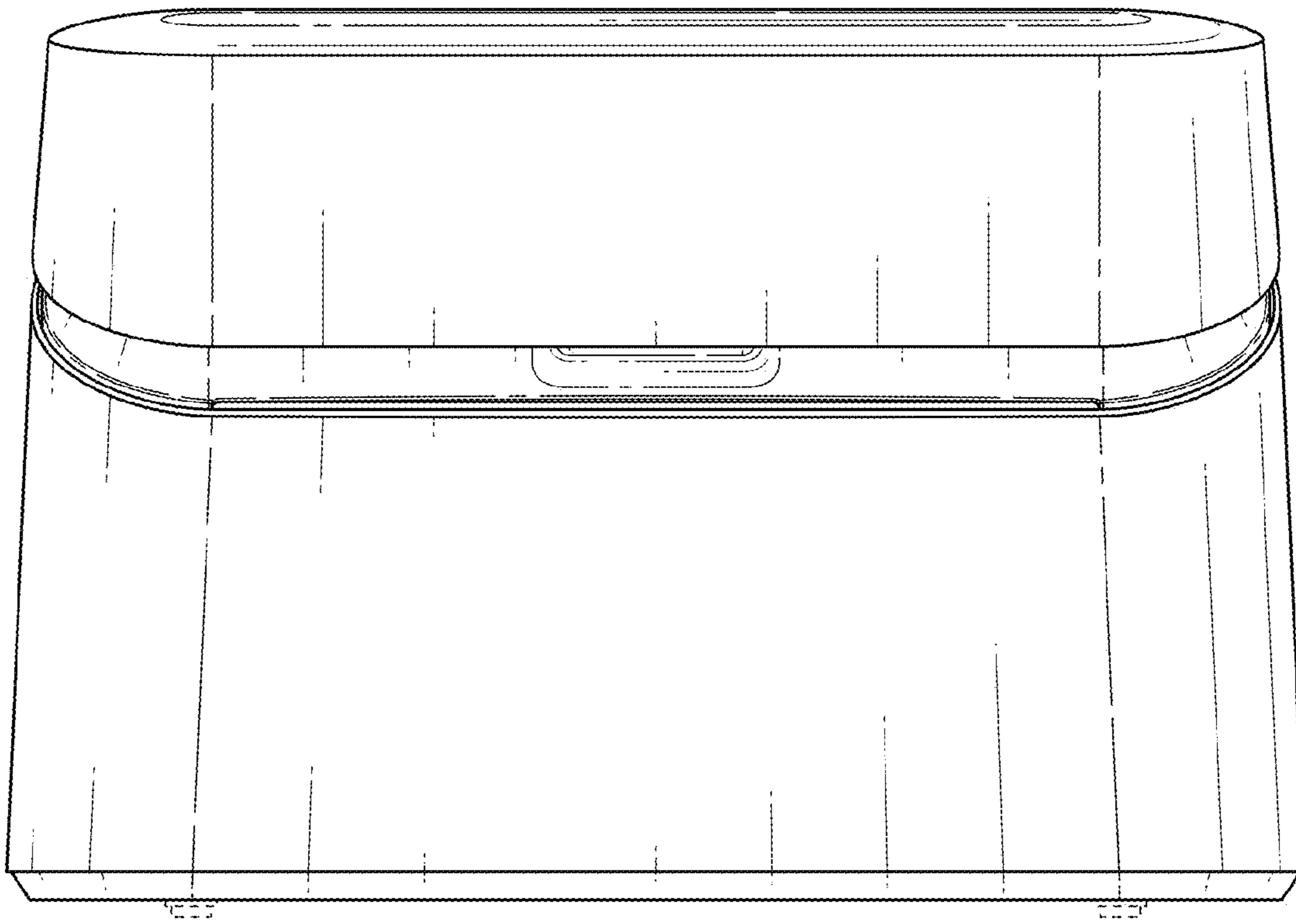


FIG. 9

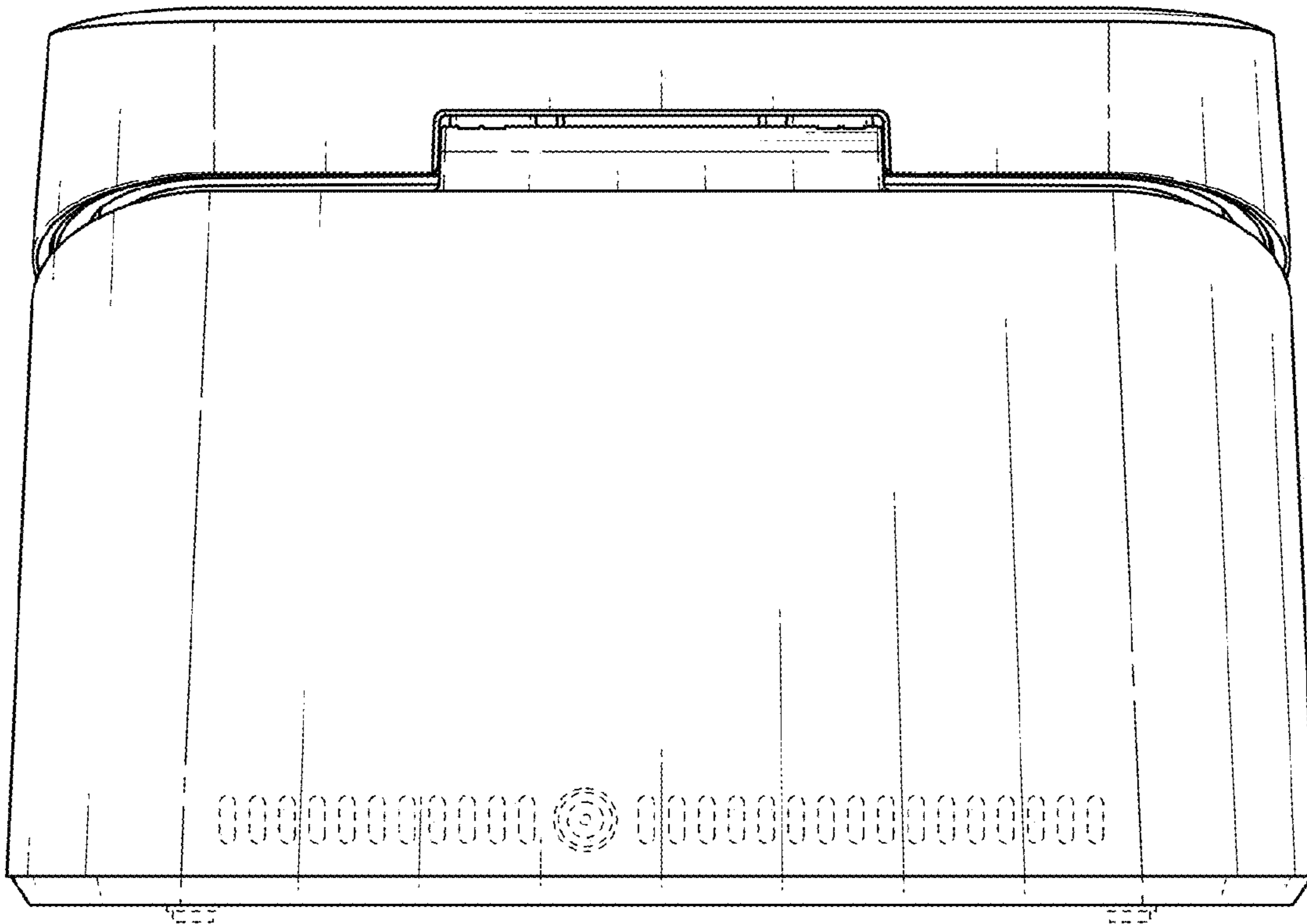


FIG. 10

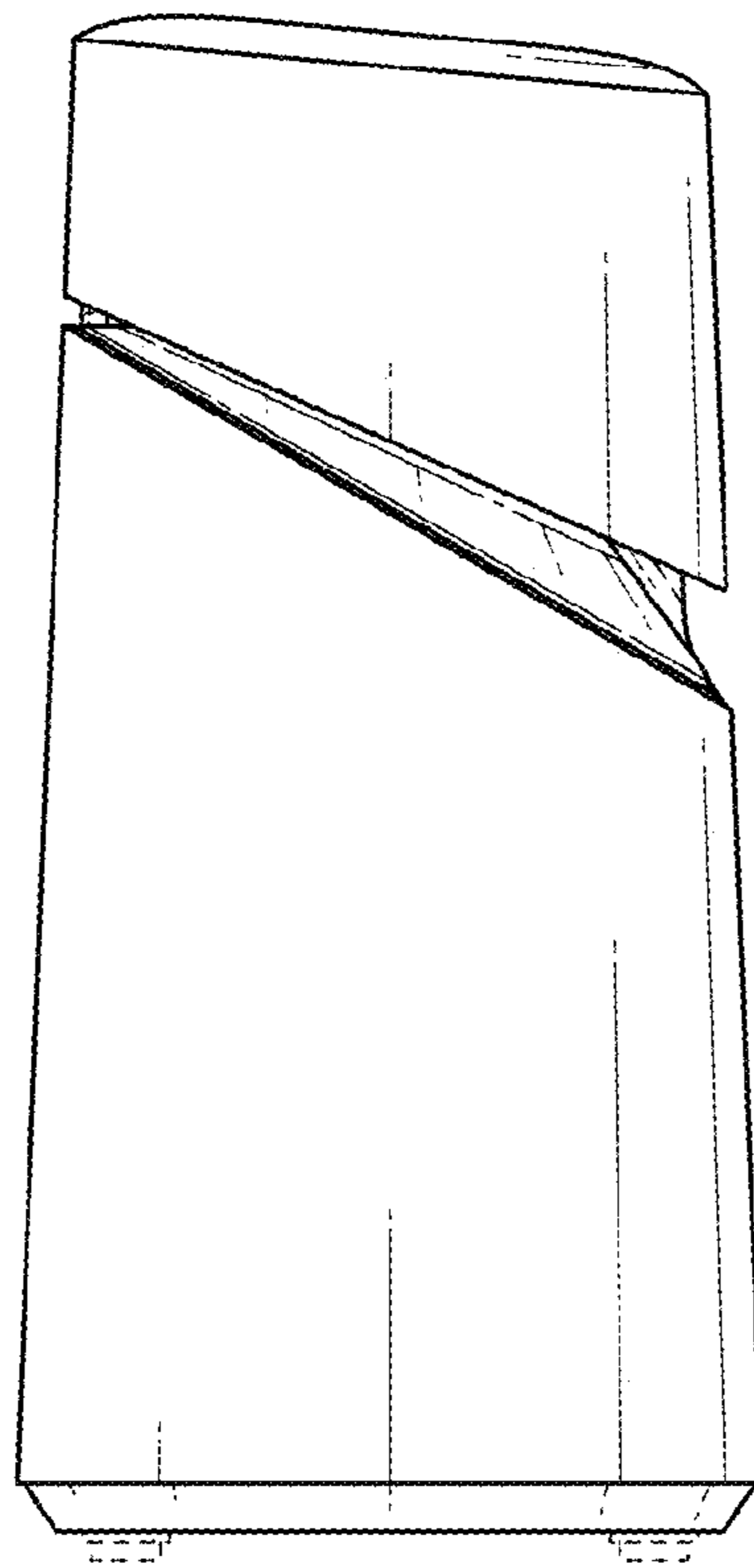


FIG. 11

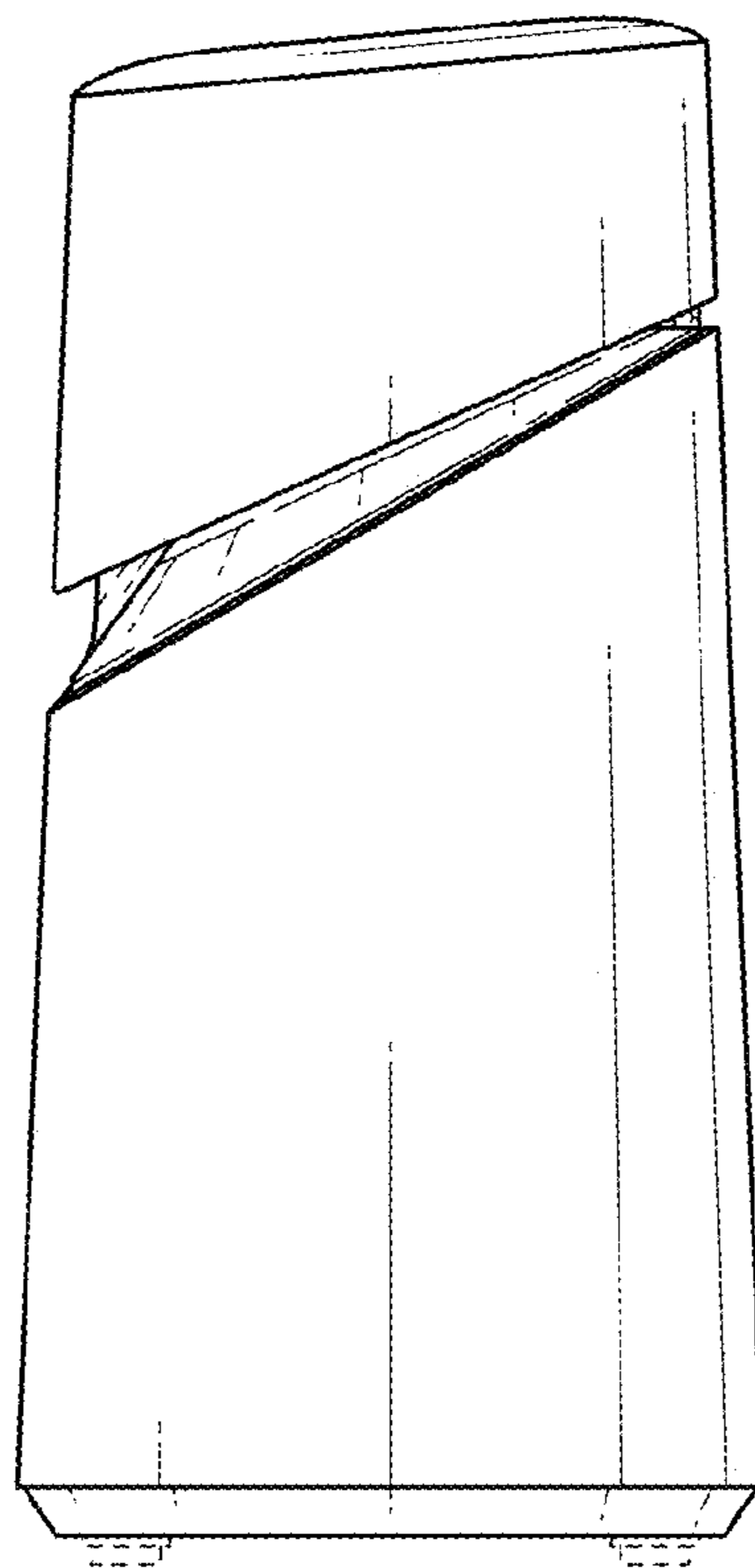


FIG. 12

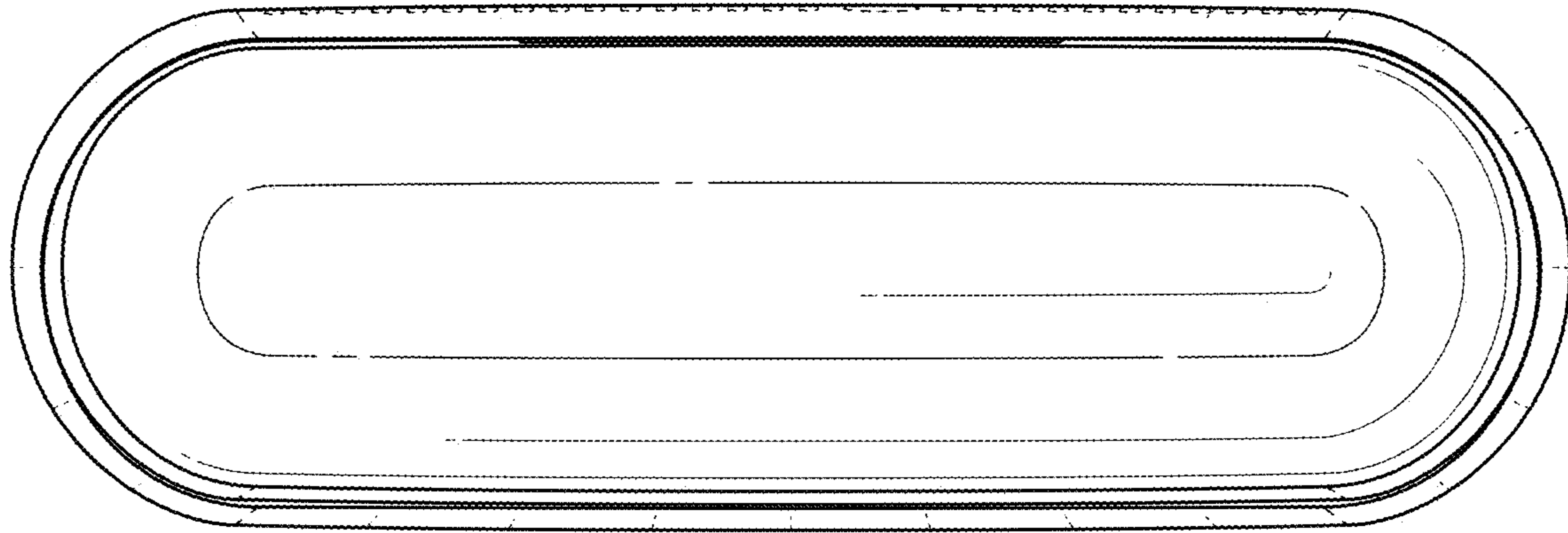


FIG. 13

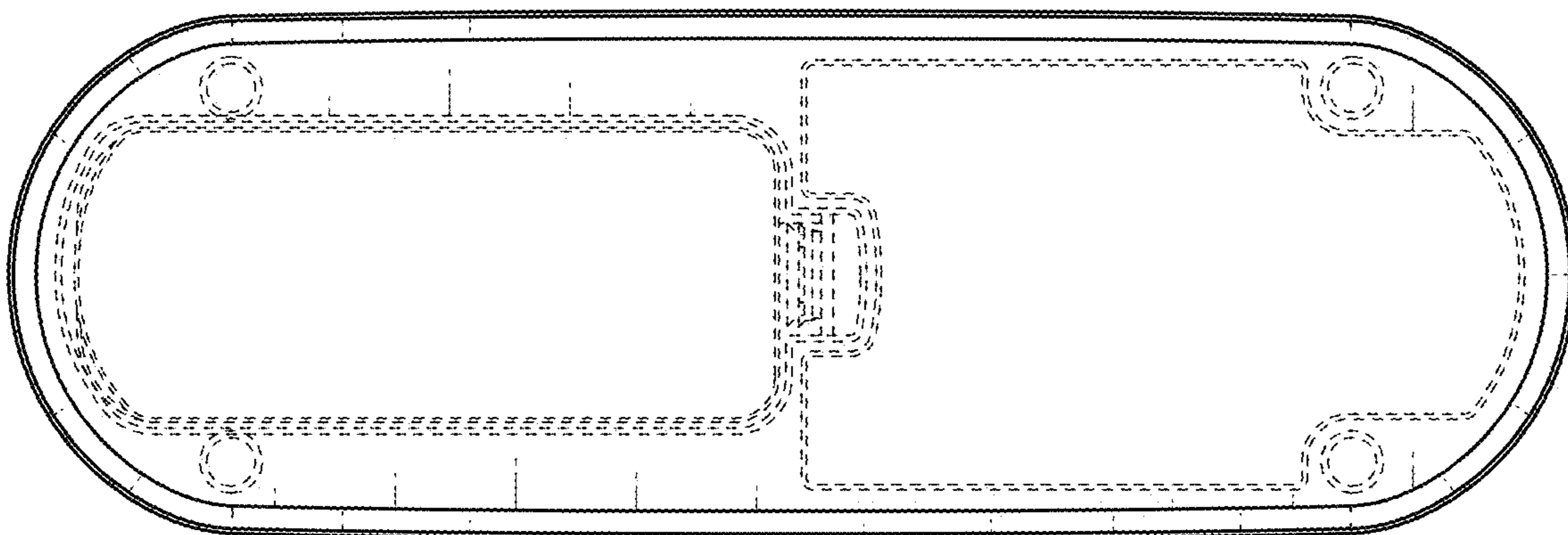


FIG. 14

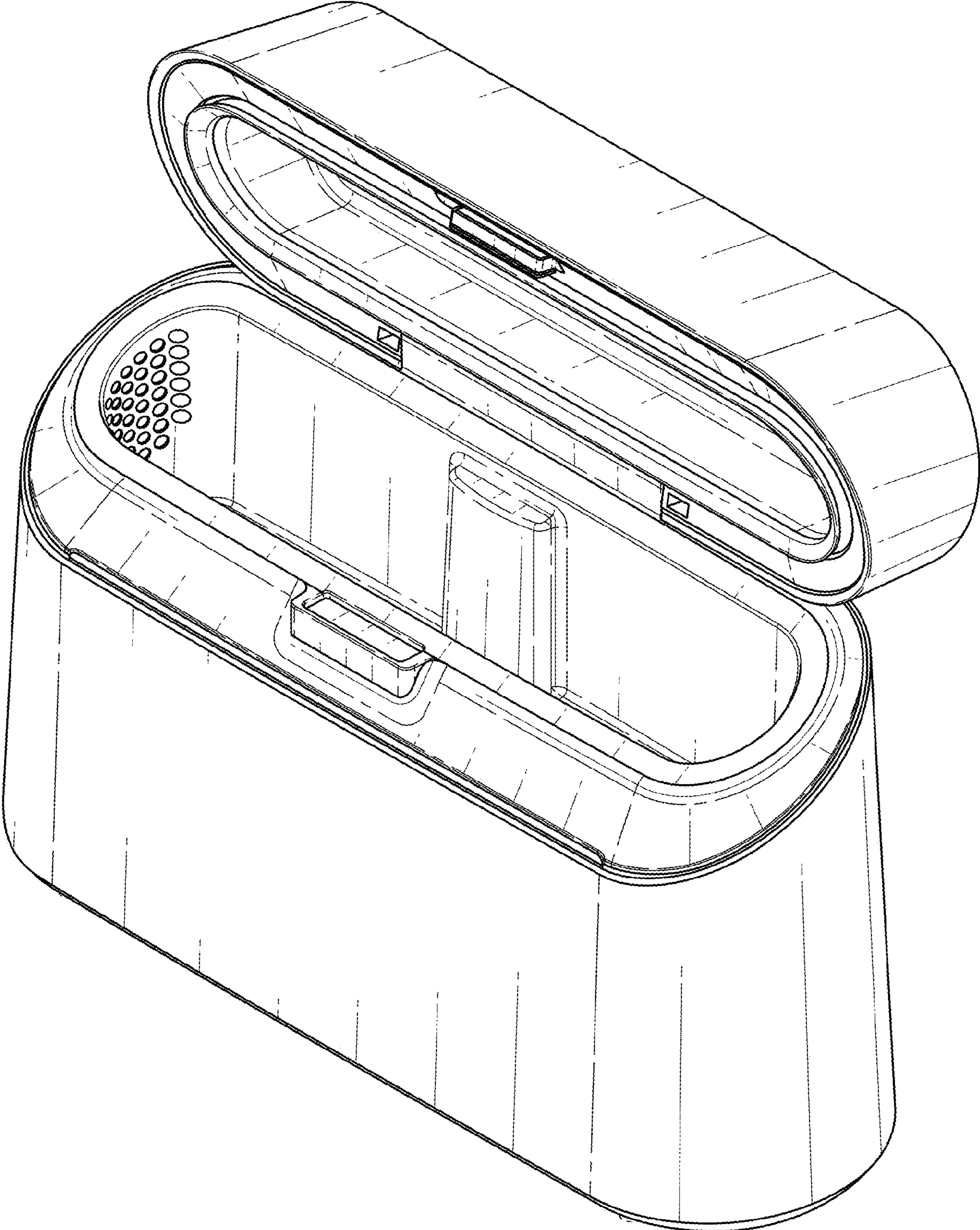


FIG. 15

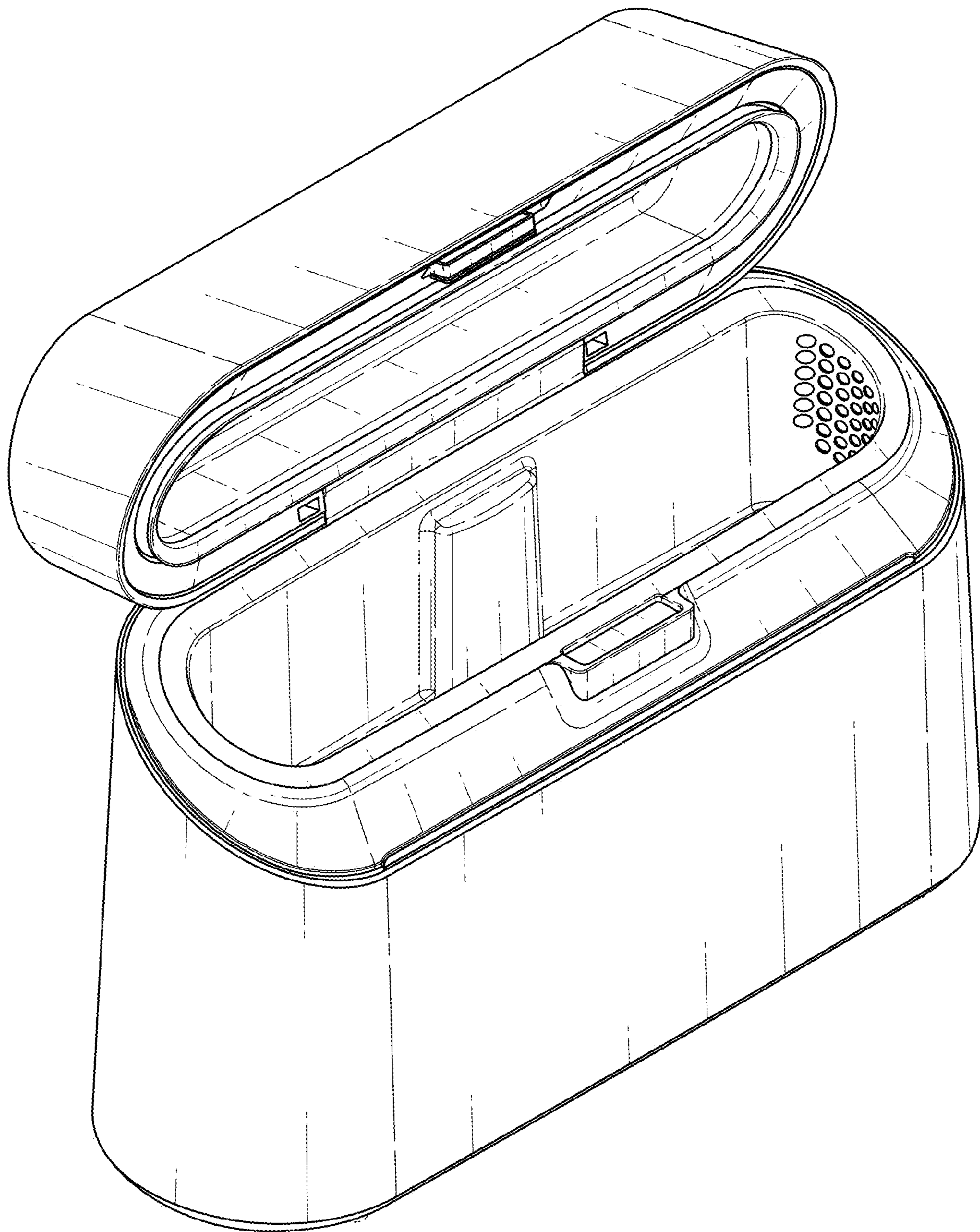


FIG. 16

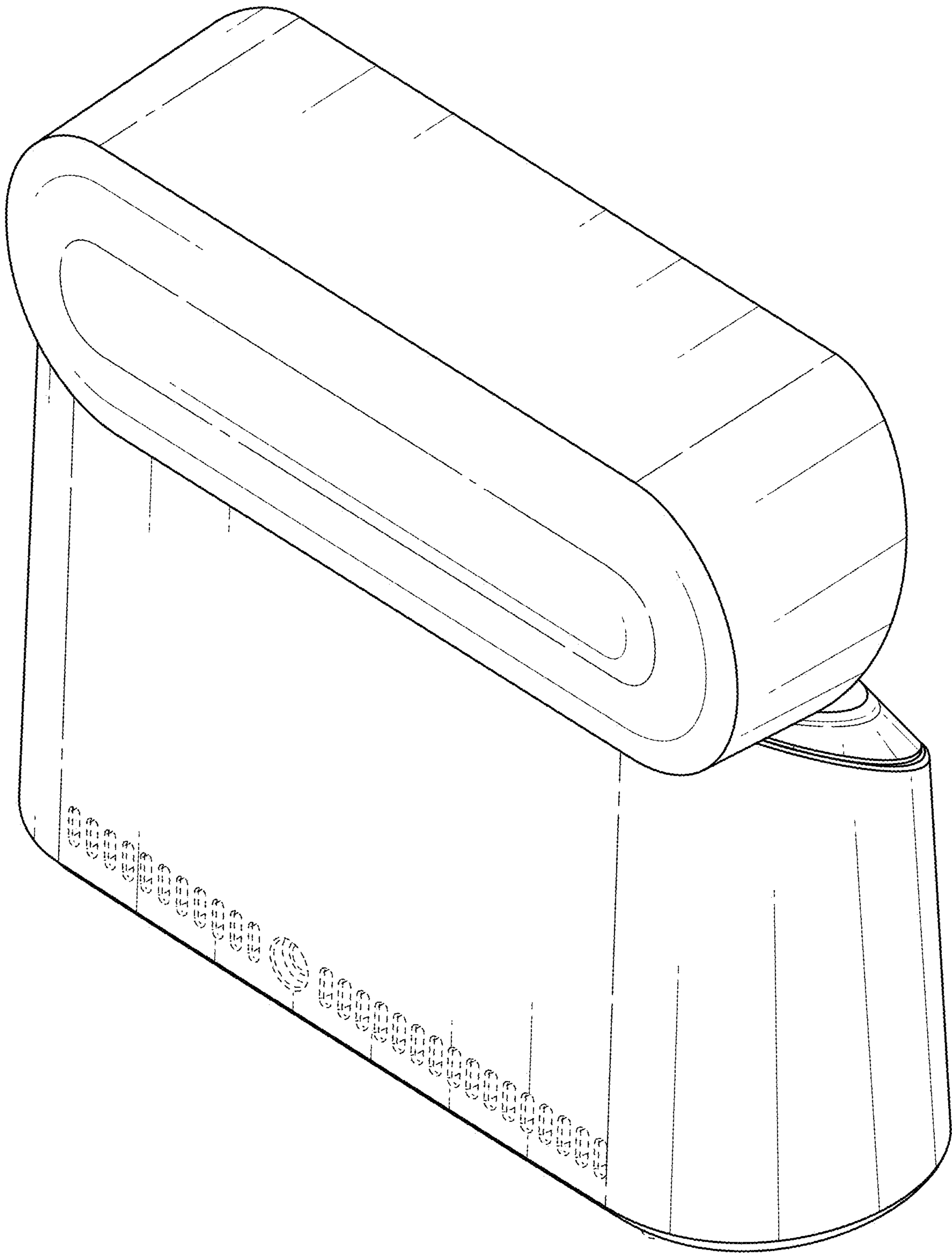


FIG. 17

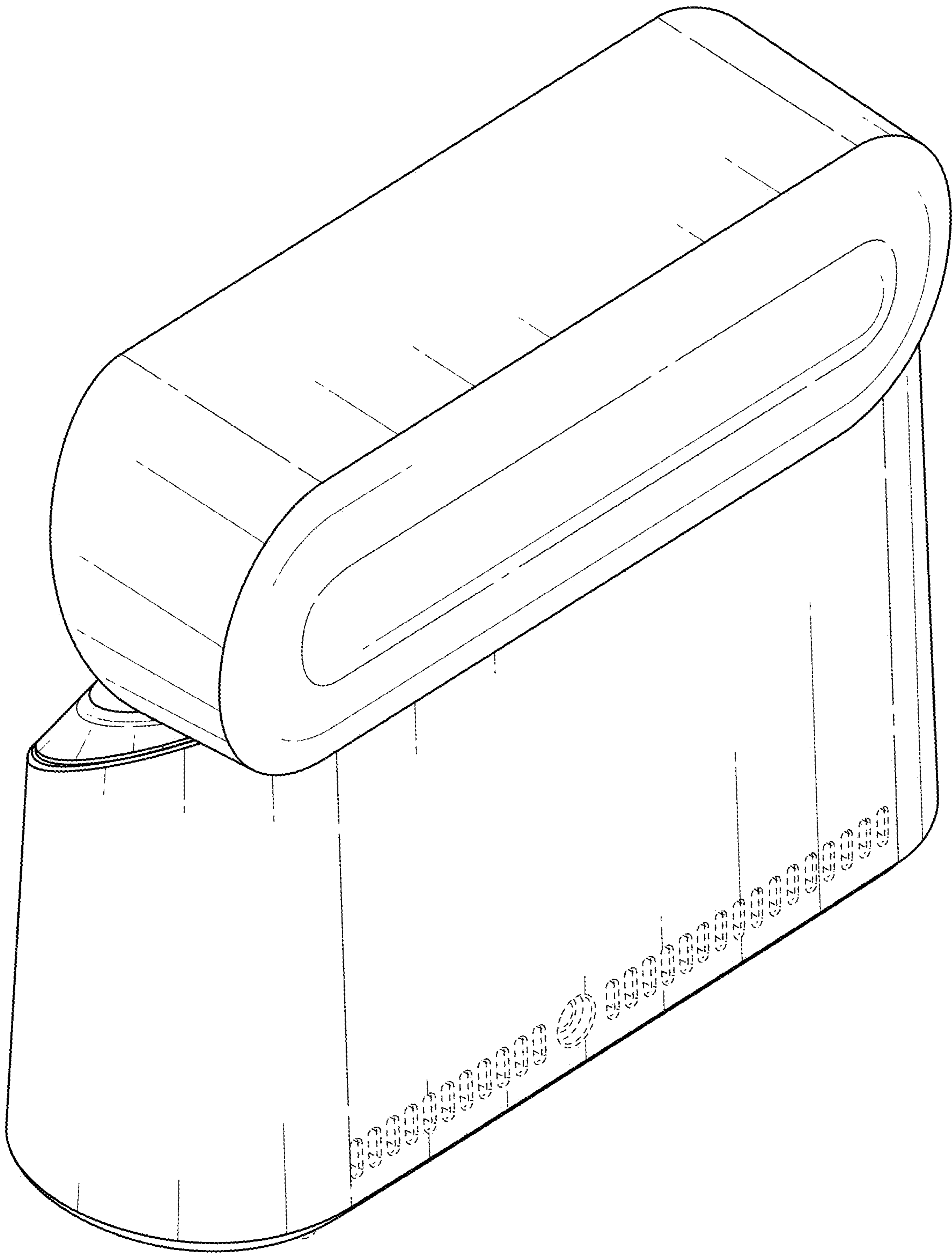


FIG. 18

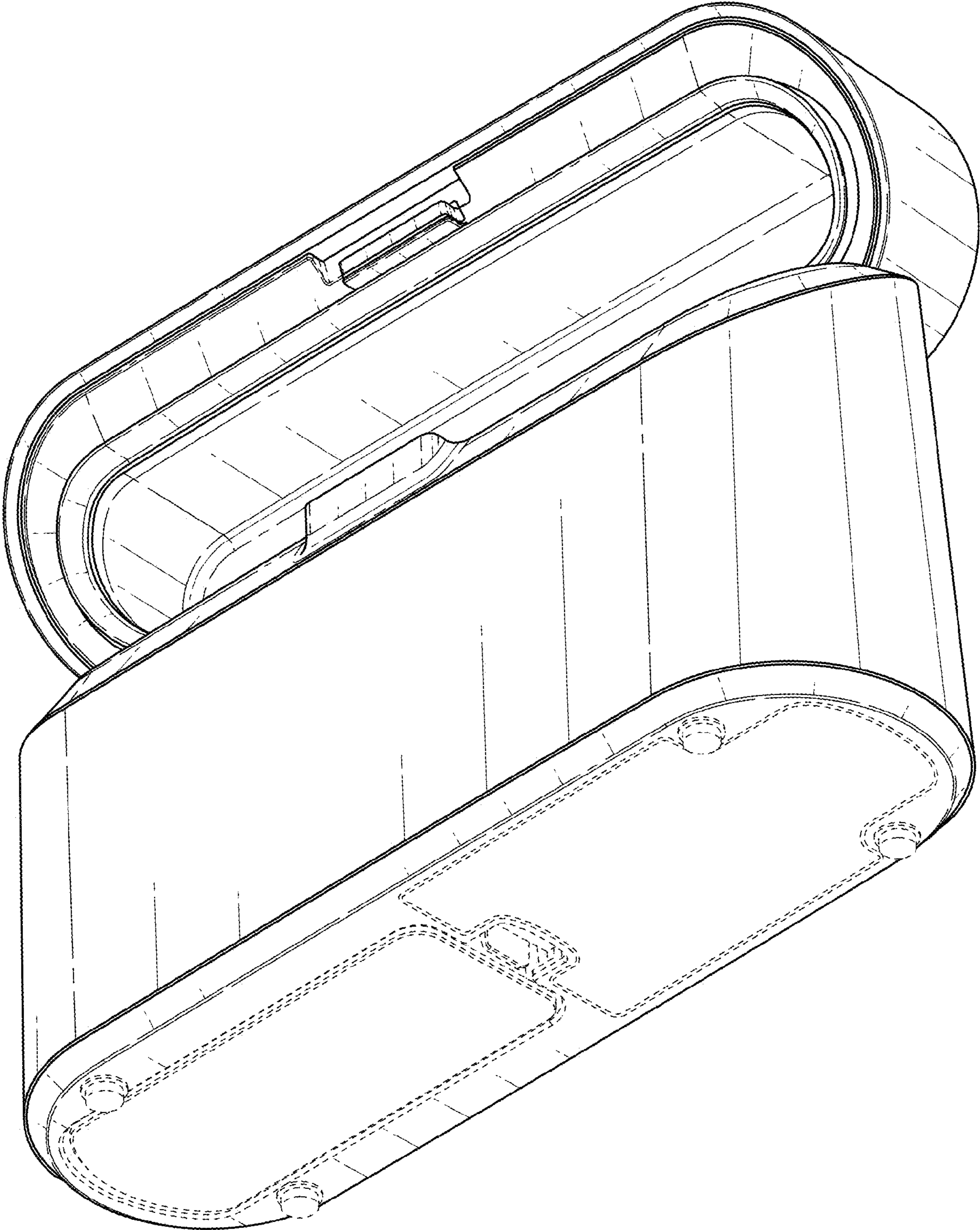


FIG. 19

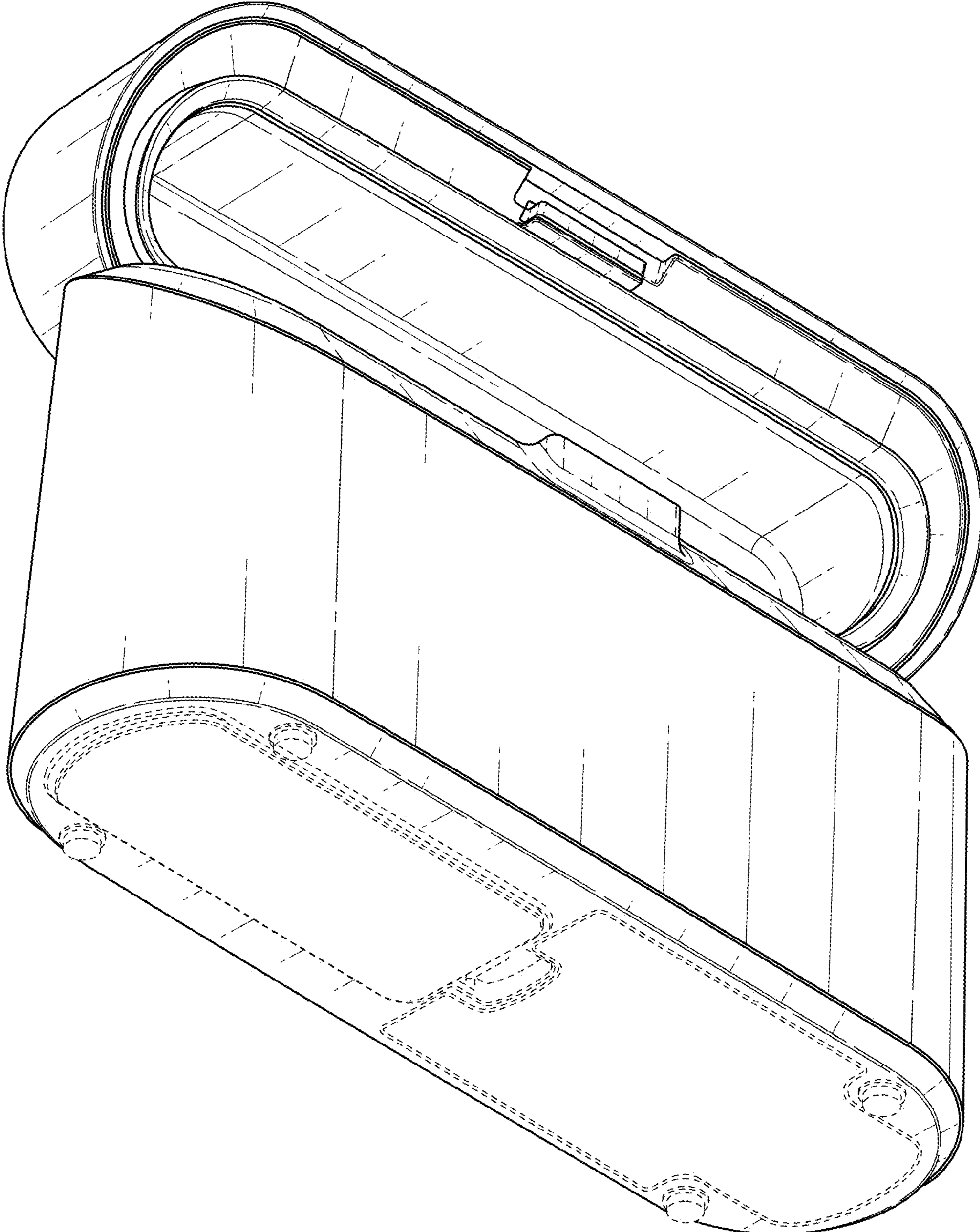


FIG. 20

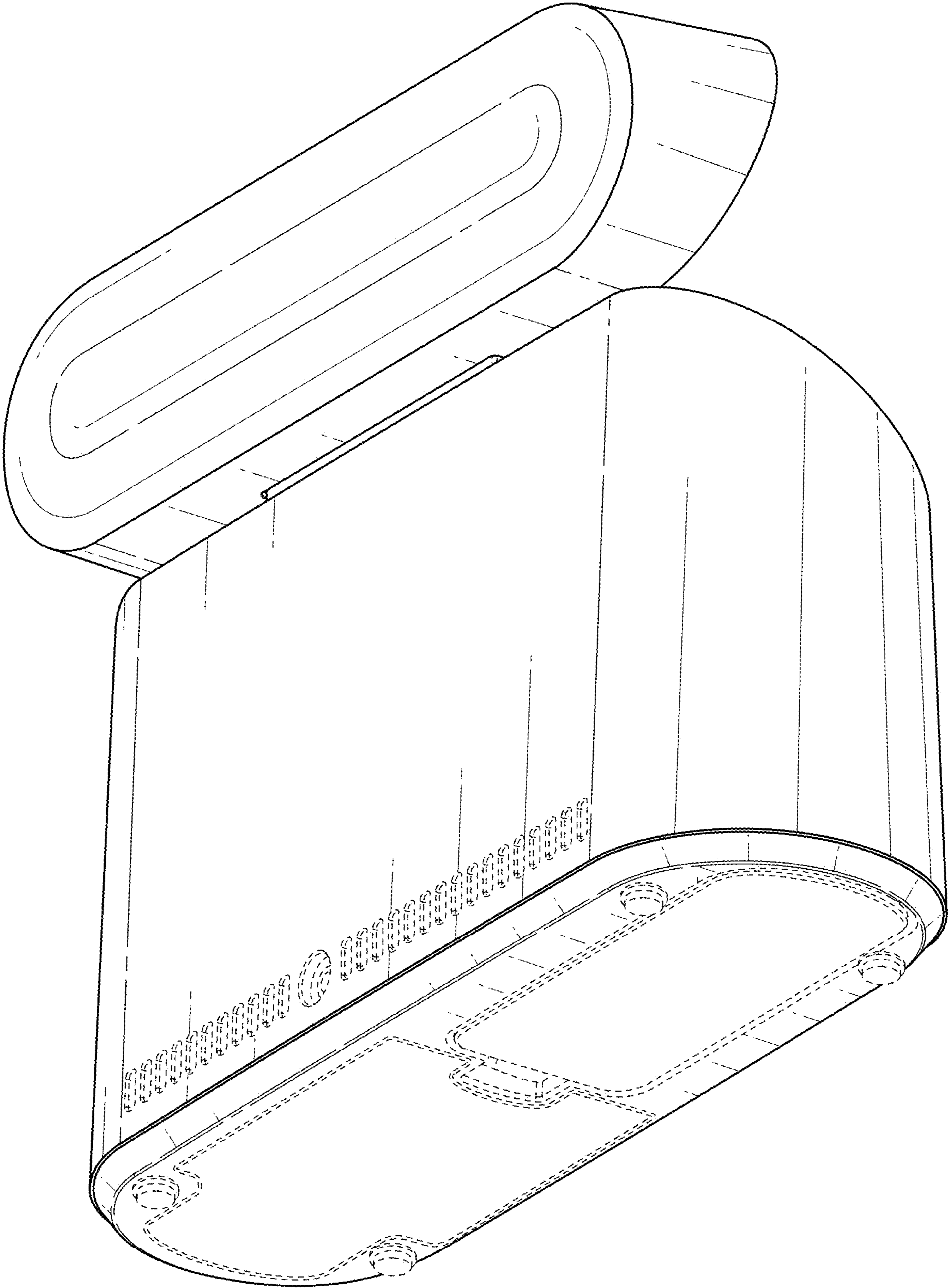


FIG. 21

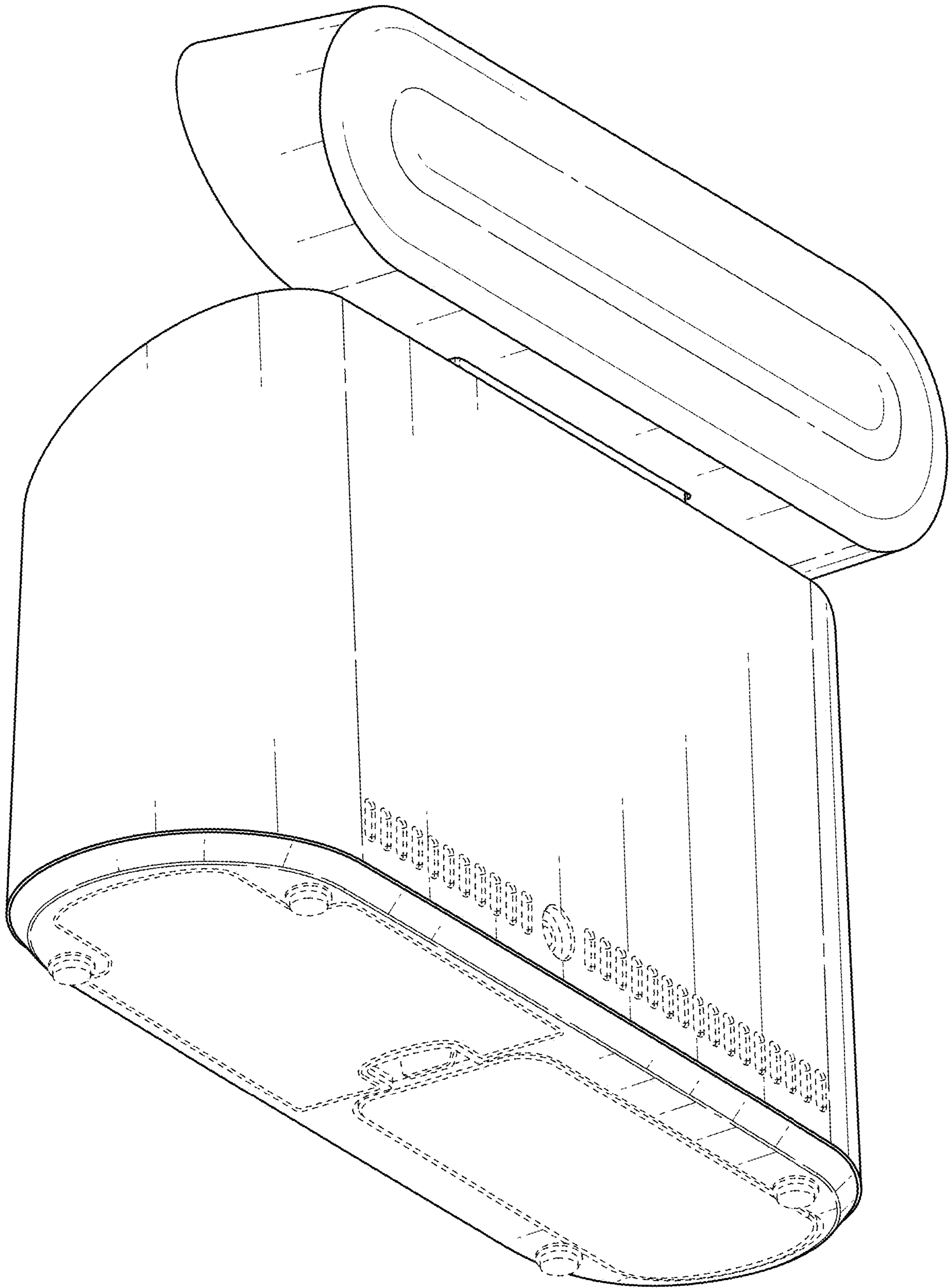


FIG. 22

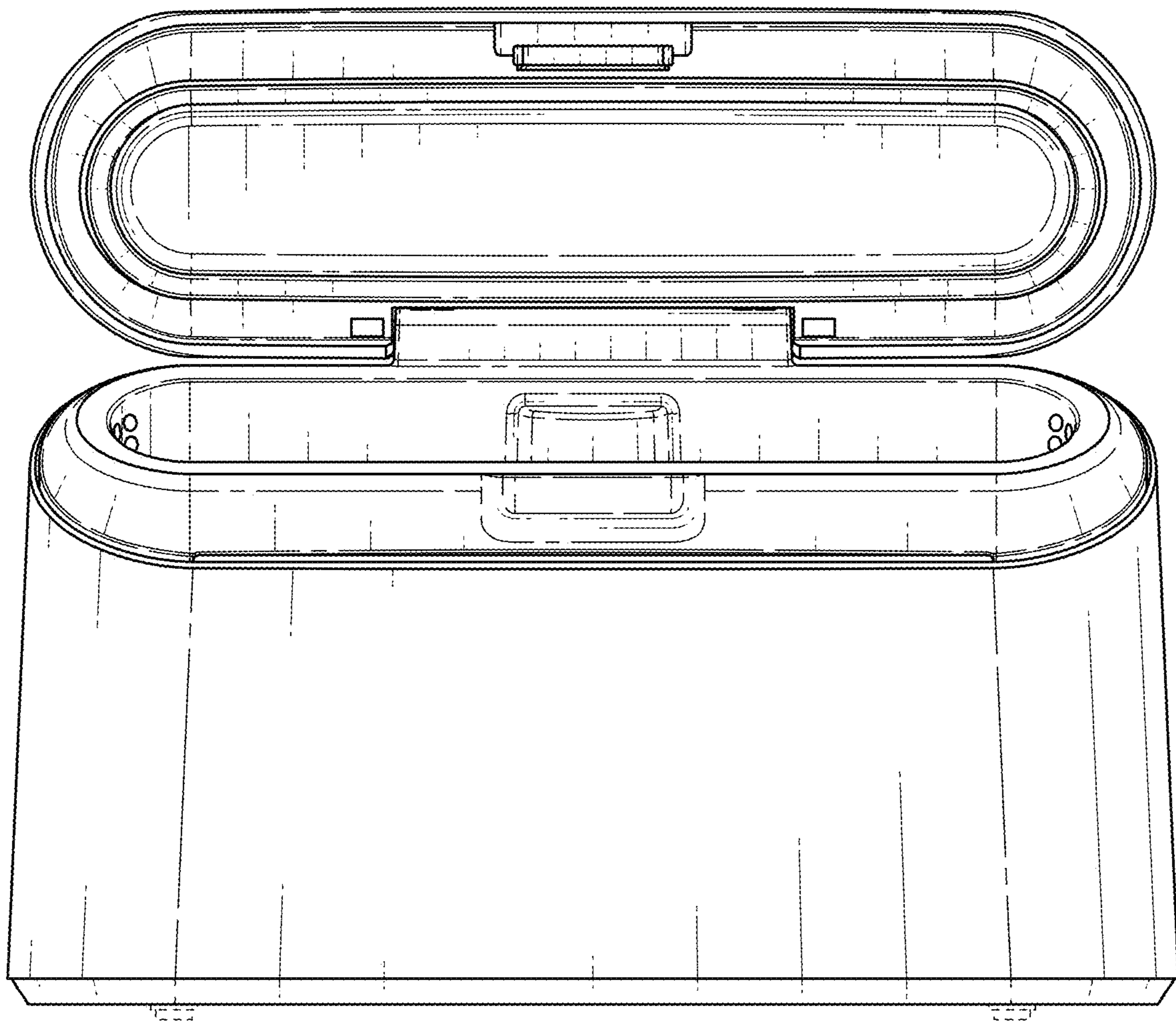


FIG. 23

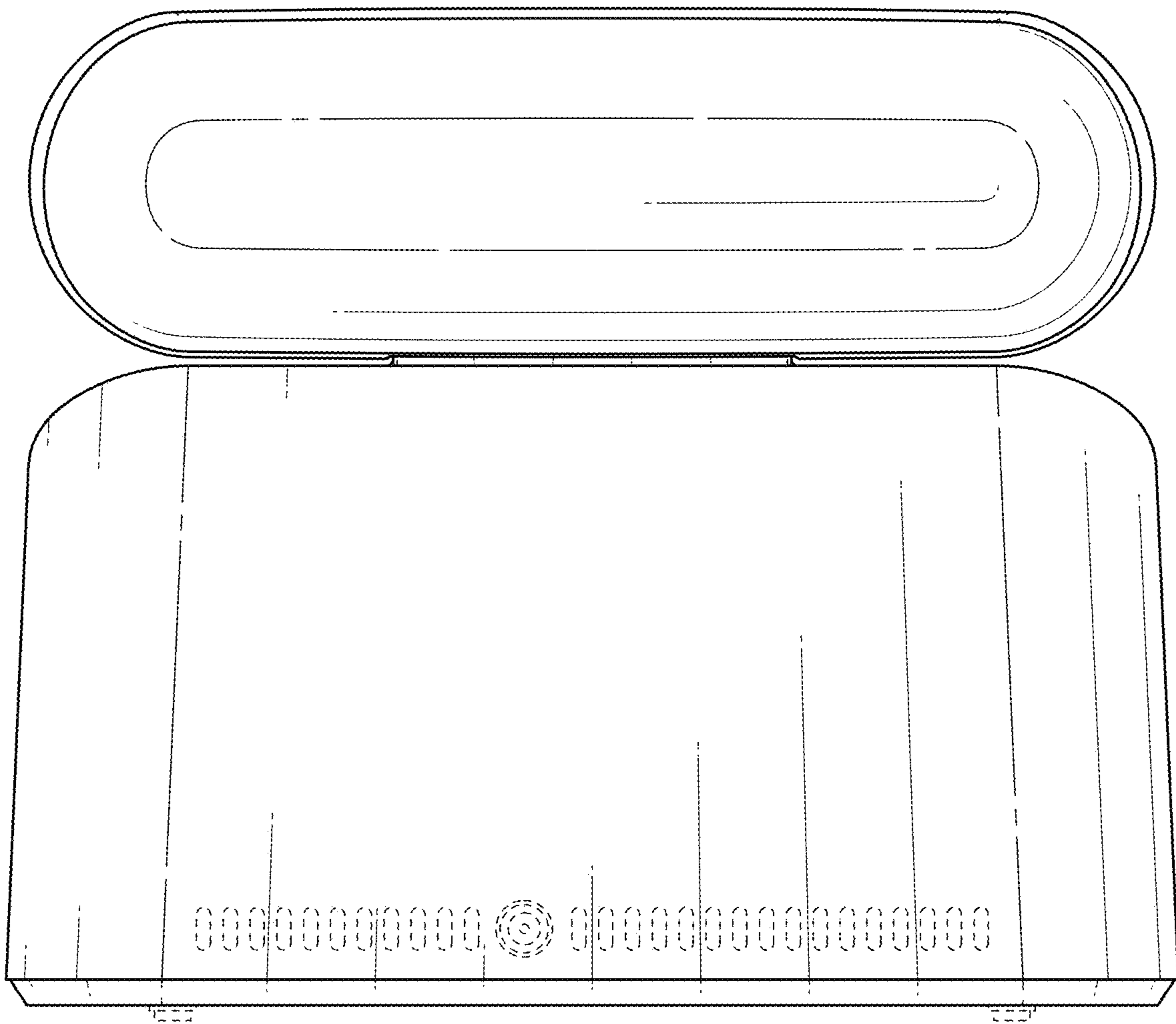


FIG. 24

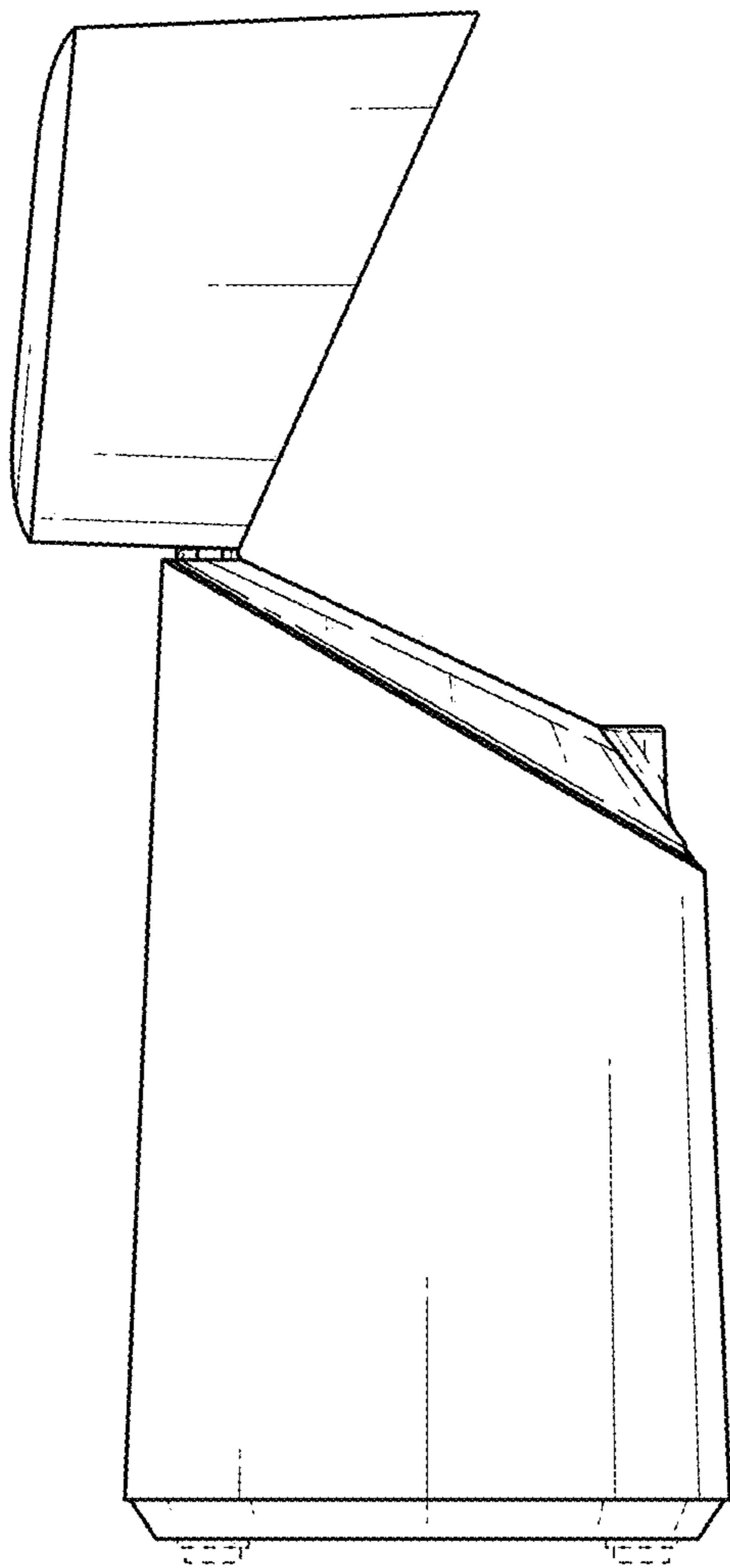


FIG. 25

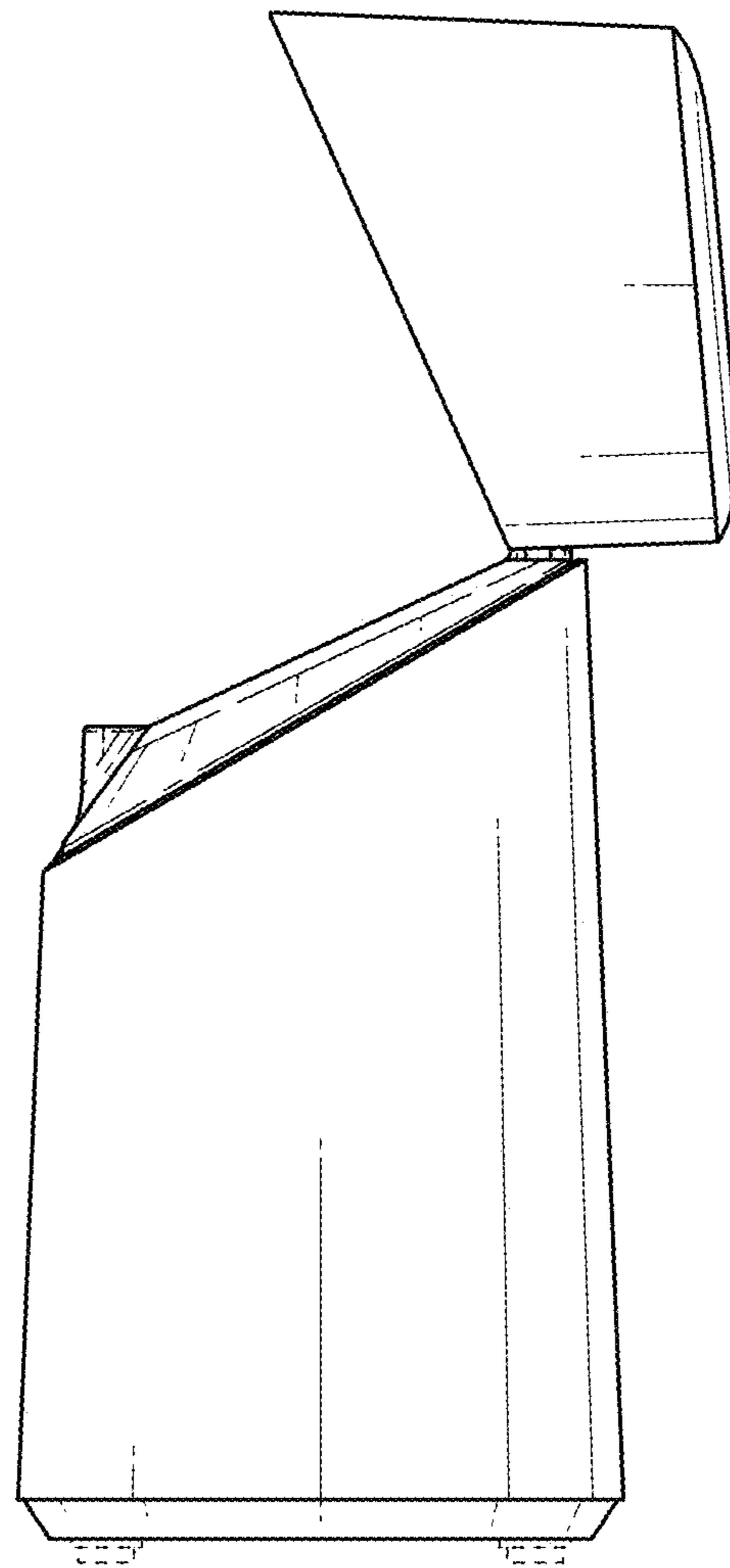


FIG. 26

