



US00D973898S

(12) **United States Design Patent** (10) **Patent No.:** **US D973,898 S**  
**Ostroff et al.** (45) **Date of Patent:** **\*\* Dec. 27, 2022**

(54) **SANITIZING APPARATUS**  
(71) Applicant: **FKA Distributing Co., LLC**,  
Commerce Township, MI (US)  
(72) Inventors: **Adam Ostroff**, West Bloomfield, MI  
(US); **Patrick Galloway**, Milford, MI  
(US)  
(73) Assignee: **FKA Distributing Co., LLC**,  
Commerce Township, MI (US)  
(\*\*) Term: **15 Years**  
(21) Appl. No.: **29/739,402**  
(22) Filed: **Jun. 25, 2020**  
(51) **LOC (13) Cl.** ..... **24-01**  
(52) **U.S. Cl.**  
USPC ..... **D24/217**  
(58) **Field of Classification Search**  
USPC ..... D24/107, 186, 200, 209–213, 217–219,  
D24/224–232; D32/1, 25; D23/366;  
D26/1–4  
CPC ... A61L 2/26; A61L 2/10; A61L 2/025; A61L  
2202/10; A61L 2202/11; A61L 2202/23;  
A61L 2202/122  
See application file for complete search history.

D883,511 S \* 5/2020 Li ..... D24/217  
D903,125 S \* 11/2020 Burns ..... D24/186  
D904,981 S \* 12/2020 Worthy ..... D13/110  
D907,316 S \* 1/2021 Stewart ..... D32/35

\* cited by examiner

*Primary Examiner* — Mary Shannon Malley  
(74) *Attorney, Agent, or Firm* — Brooks Kushman P.C.

(57) **CLAIM**

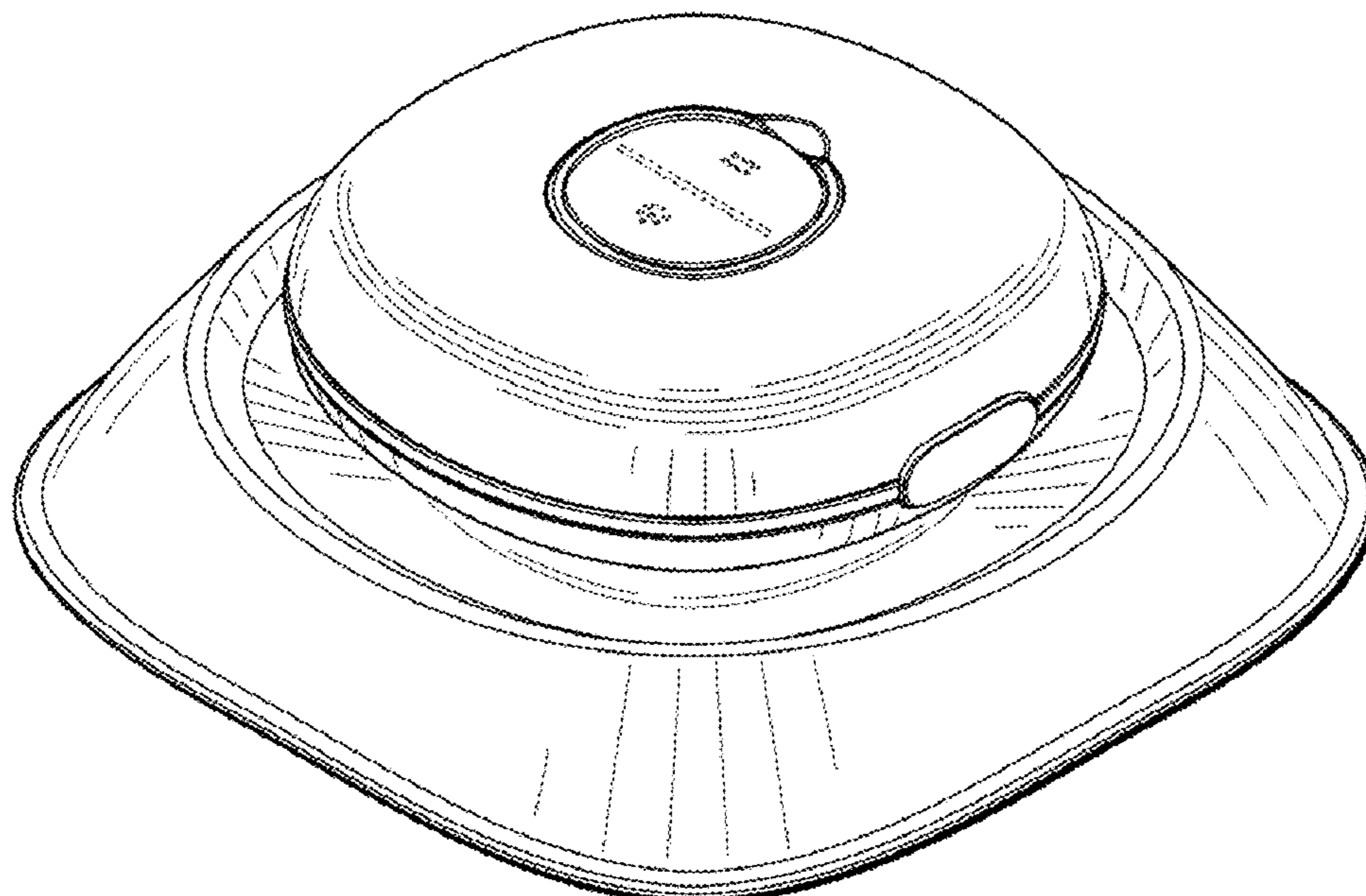
The ornamental design for a sanitizing apparatus, as shown and described.

**DESCRIPTION**

FIG. 1 is a perspective view of a sanitizing apparatus shown in a collapsed configuration according to an embodiment; FIG. 2 is a right side view of the sanitizing apparatus of FIG. 1, the left side view being identical thereto; FIG. 3 is a front side view of the sanitizing apparatus of FIG. 1, the rear side view being identical thereto; FIG. 4 is a top view of the sanitizing apparatus of FIG. 1; FIG. 5 is a bottom view of the sanitizing apparatus of FIG. 1; FIG. 6 is a perspective view of a sanitizing apparatus shown in an expanded configuration according to an embodiment; FIG. 7 is a right side view of the sanitizing apparatus of FIG. 6, the left side view being identical thereto; FIG. 8 is a front side view of the sanitizing apparatus of FIG. 6, the rear side view being identical thereto; FIG. 9 is a top view of the sanitizing apparatus of FIG. 6; and, FIG. 10 is a bottom view of the sanitizing apparatus of FIG. 6. The broken lines illustrate portions of the sanitizing apparatus that form no part of the claimed design.

**1 Claim, 6 Drawing Sheets**

(56) **References Cited**  
U.S. PATENT DOCUMENTS  
D661,812 S \* 6/2012 Griffin ..... D24/217  
8,399,853 B2 \* 3/2013 Roiniotis ..... A61L 2/10  
250/455.11  
D679,825 S \* 4/2013 Elkerbout ..... D24/217  
D717,298 S \* 11/2014 Sale ..... D14/371  
D803,410 S \* 11/2017 Im ..... D24/187  
D810,952 S \* 2/2018 Hsu ..... D24/200  
D864,485 S \* 10/2019 Ouyang ..... D28/58



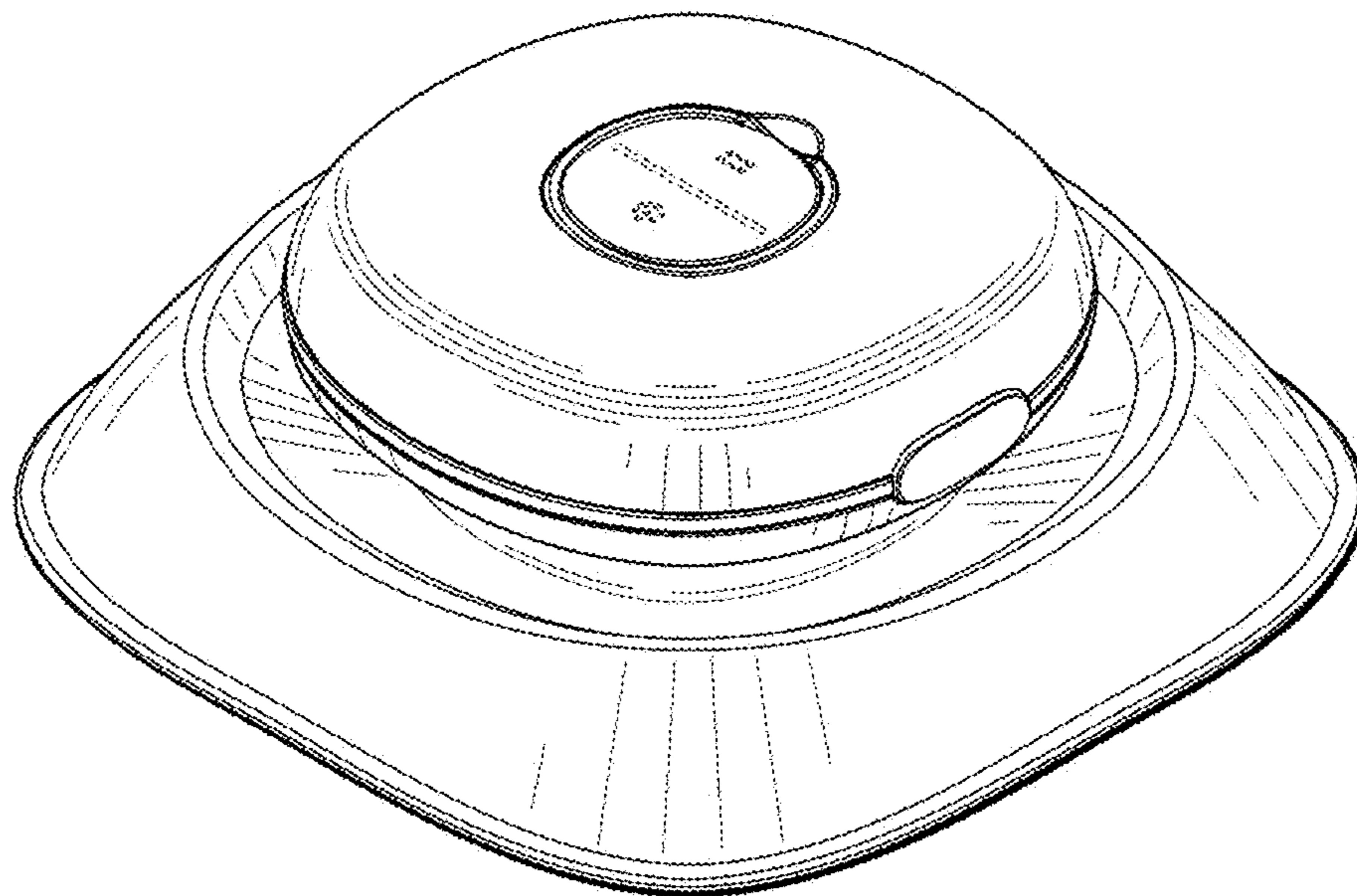


FIG. 1

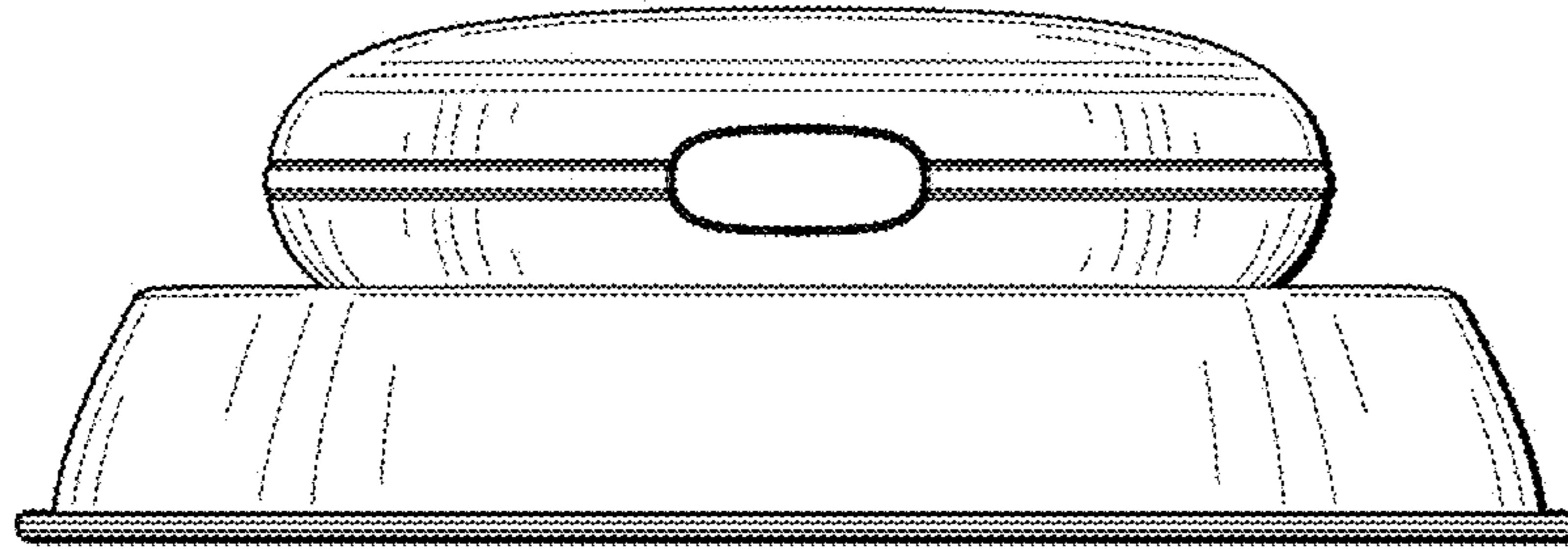


FIG. 2

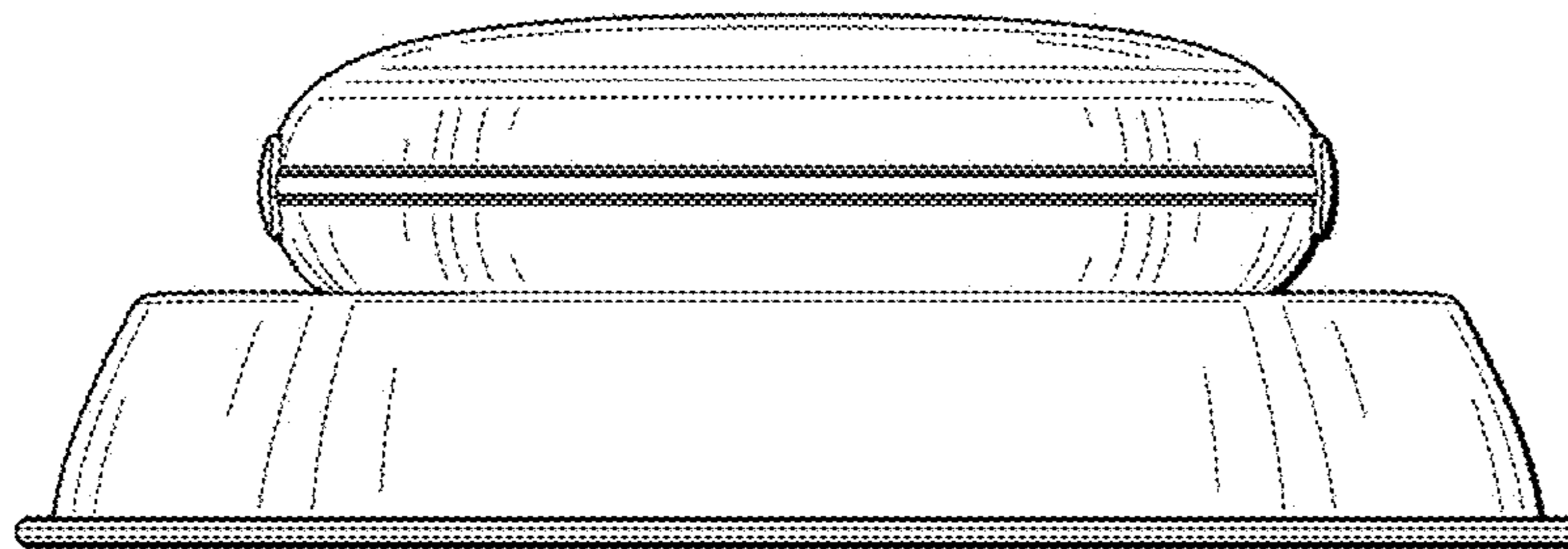


FIG. 3

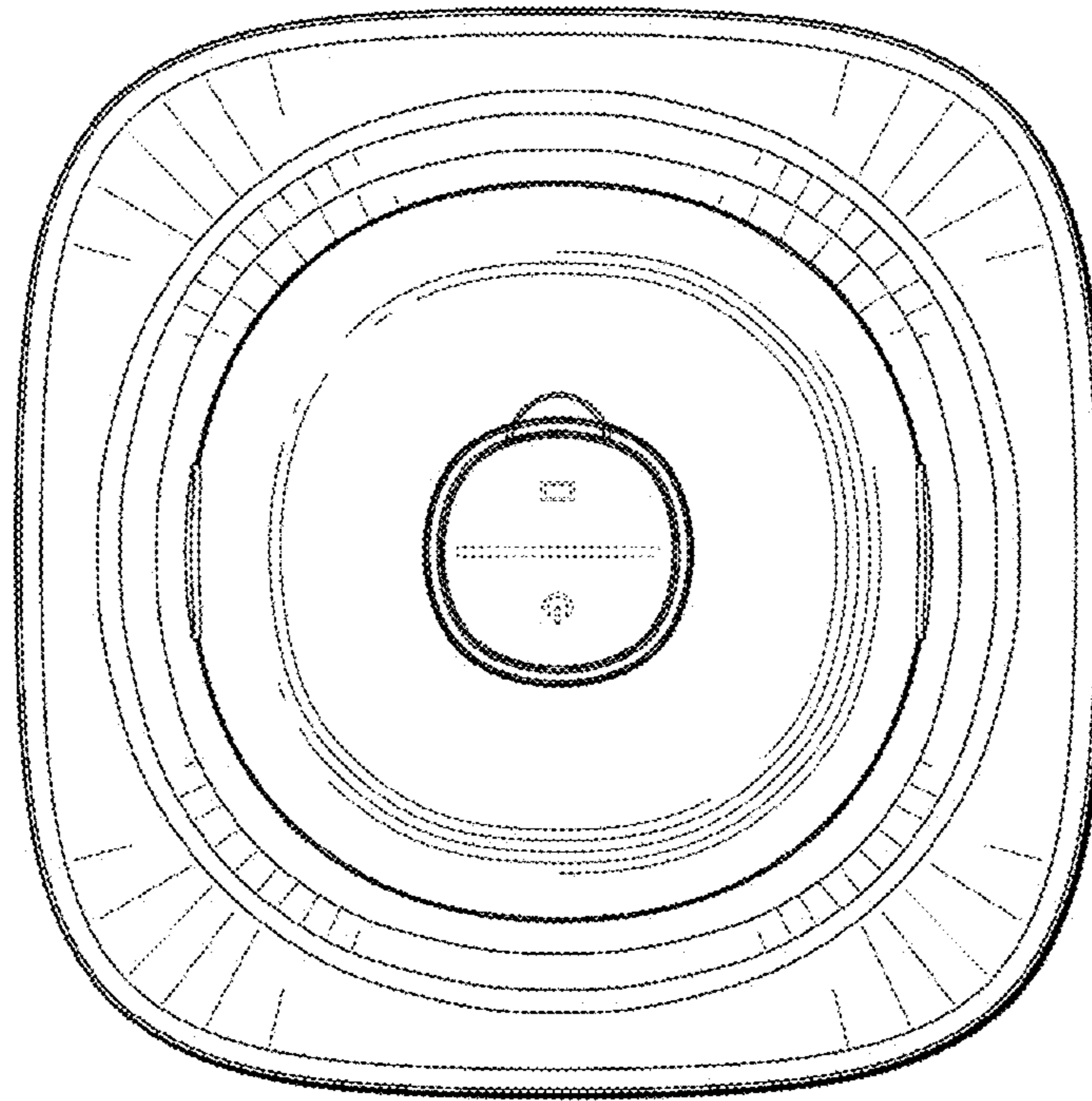


FIG. 4

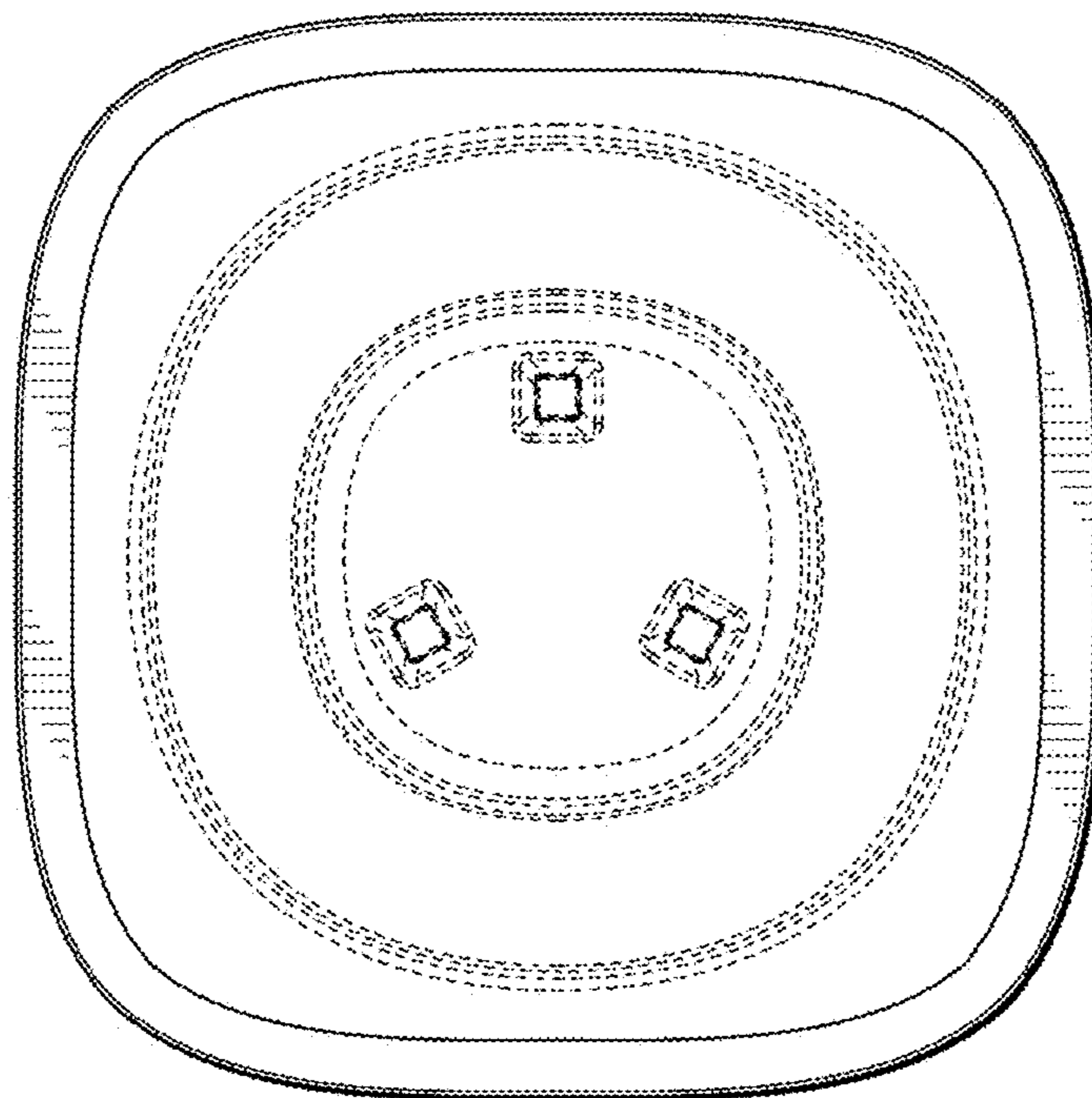


FIG. 5

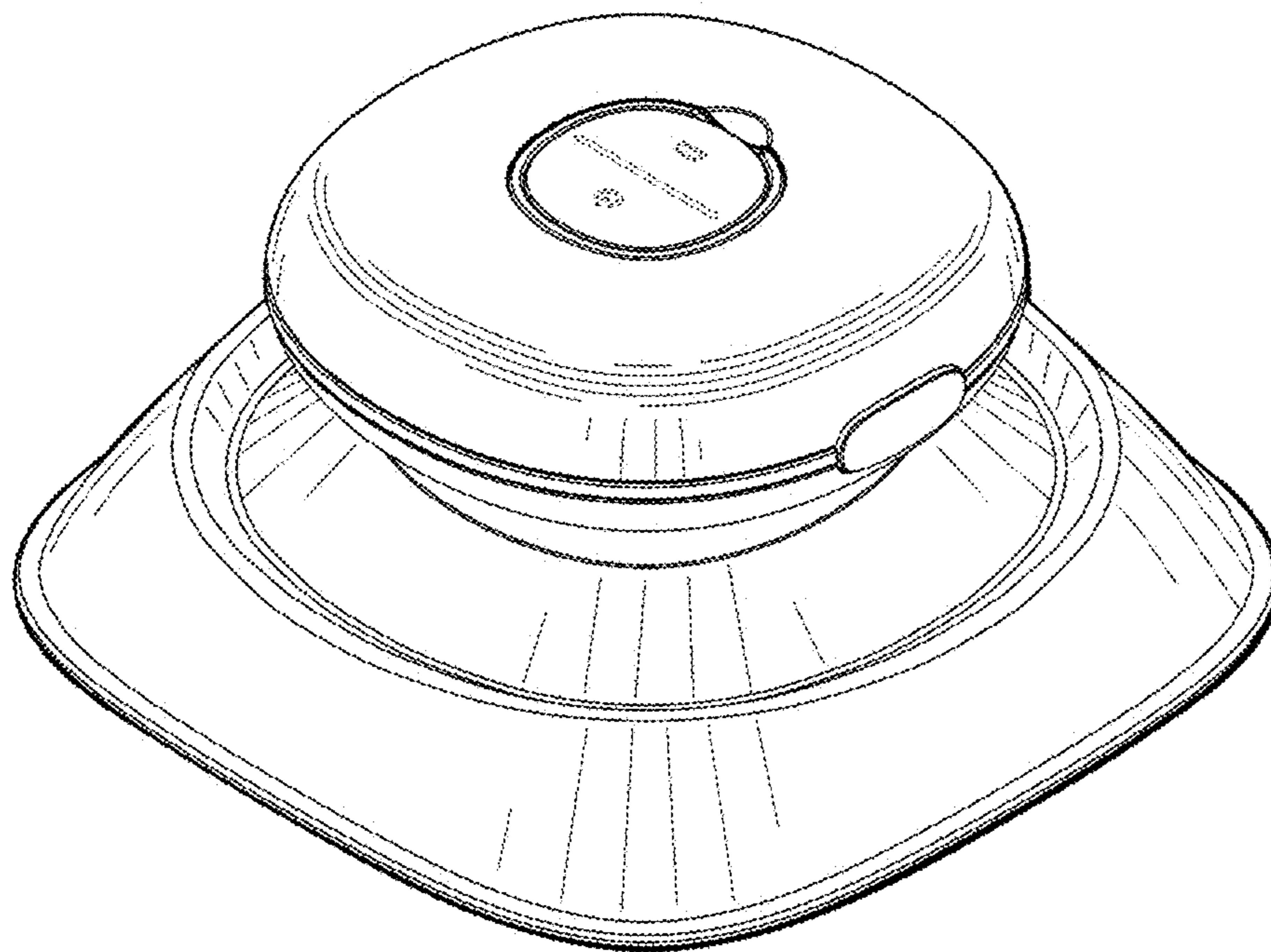


FIG. 6

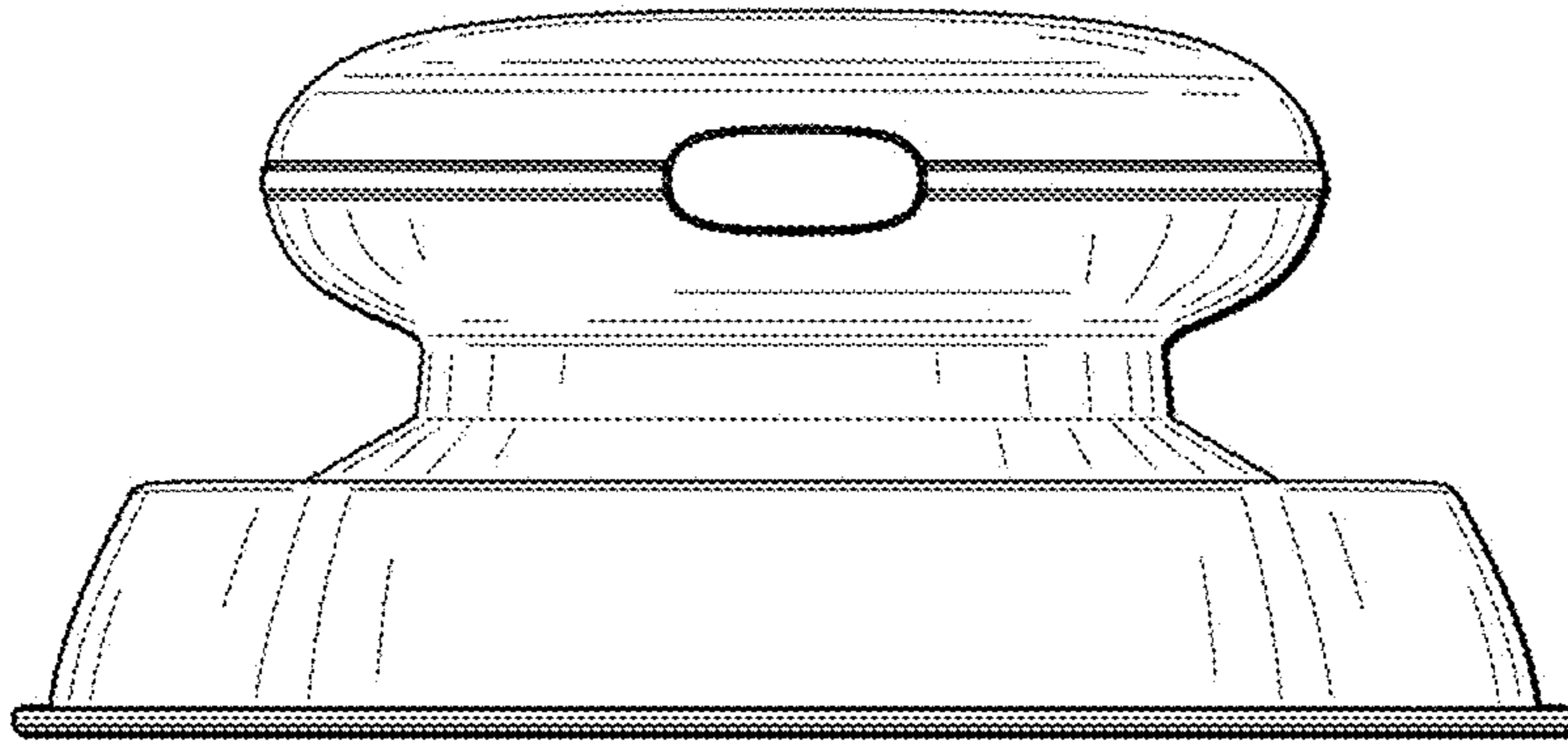


FIG. 7

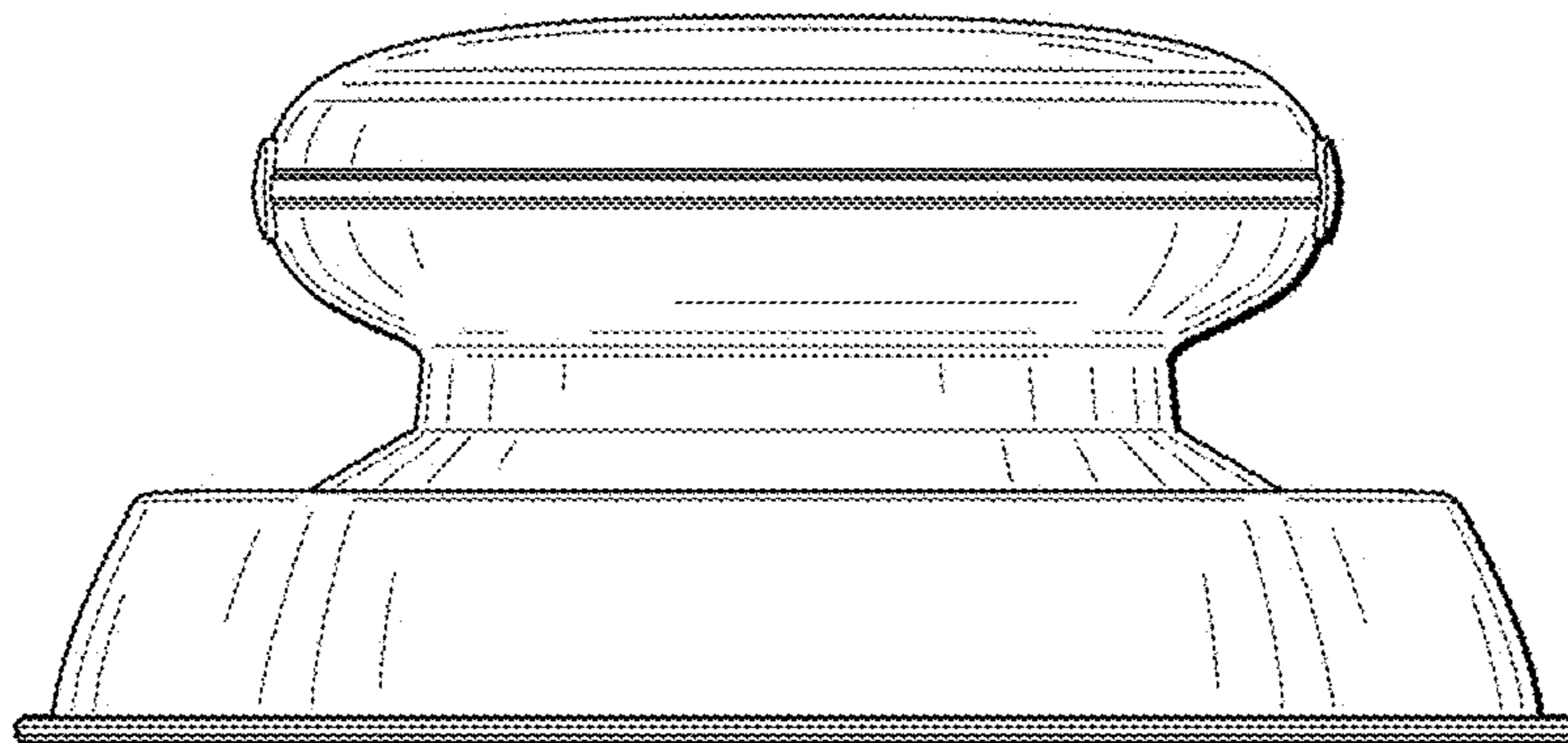


FIG. 8

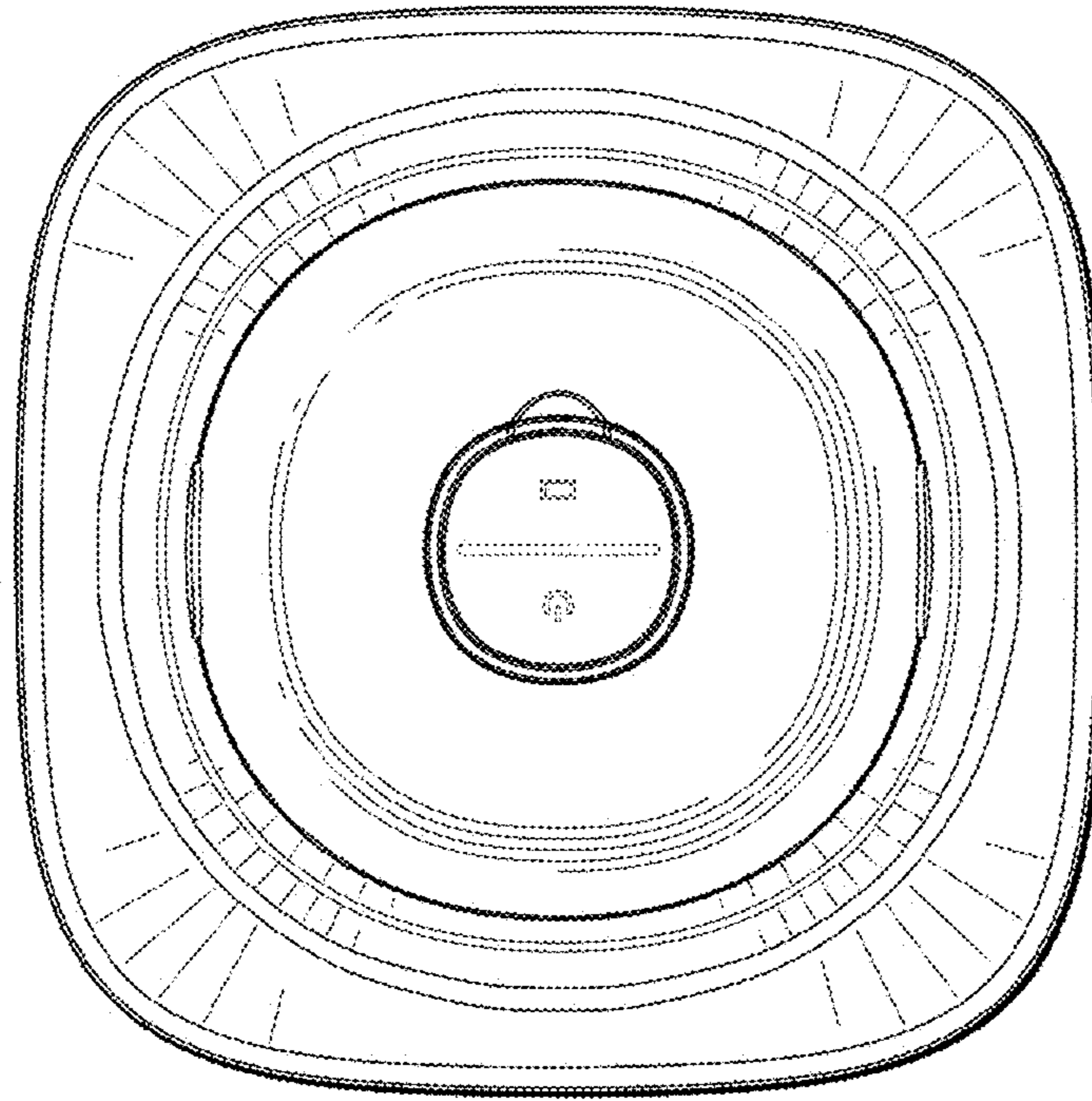


FIG. 9

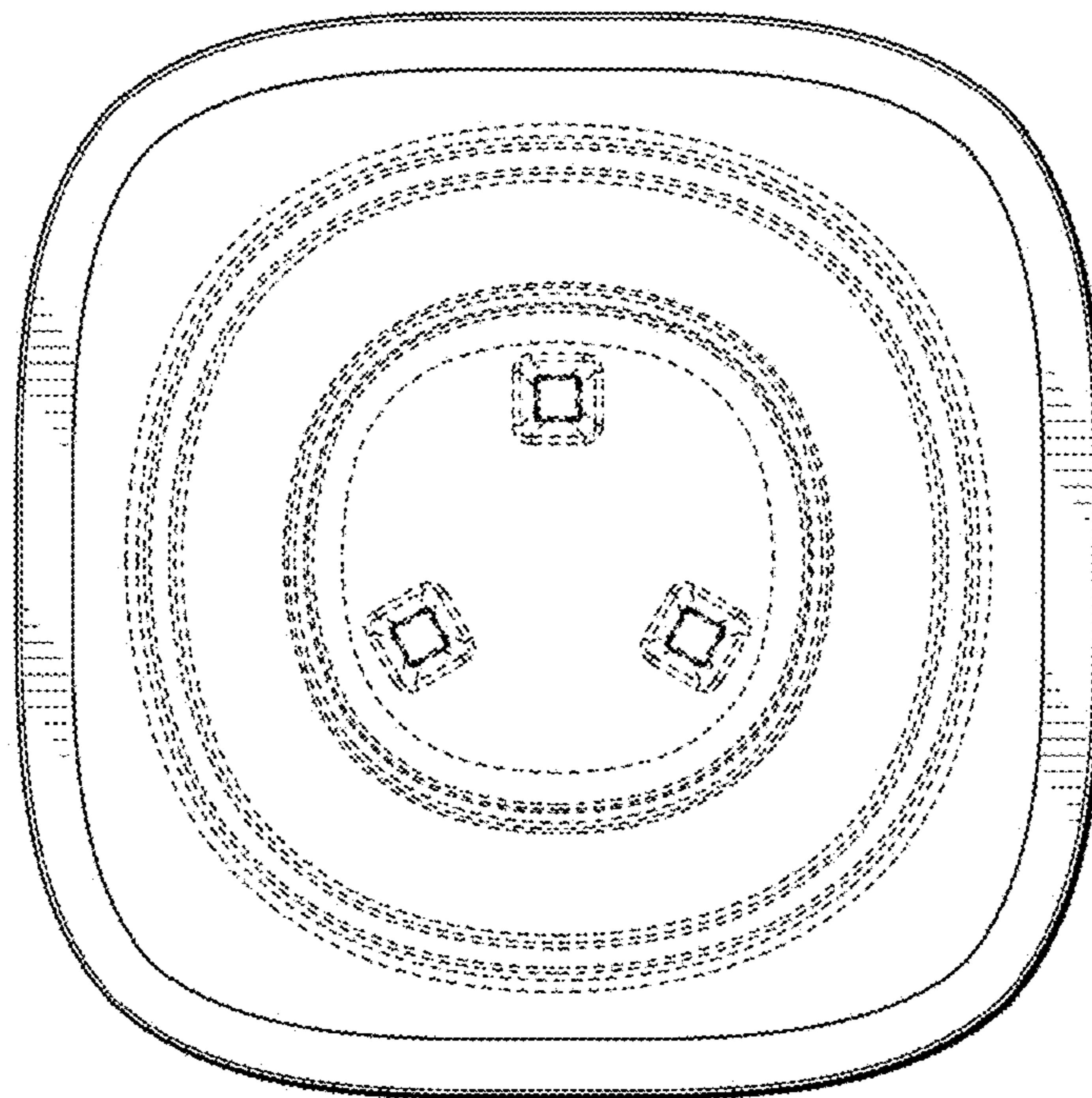


FIG. 10