



US00D973897S

(12) **United States Design Patent** (10) **Patent No.:** **US D973,897 S**  
**Maw et al.** (45) **Date of Patent:** **\*\* Dec. 27, 2022**

(54) **LIGHT BAR FOR A SANITIZING MACHINE**

(71) Applicant: **SoClean, Inc.**, Peterborough, NH (US)

(72) Inventors: **Kurt Michael Maw**, Salem, MA (US);  
**Ashley James Nye Legg**, Newton, MA (US); **Tara Marie Kovalik**, Brookline, MA (US)

(73) Assignee: **SOCLEAN, INC.**, Peterborough, NH (US)

(\*\*) Term: **15 Years**

(21) Appl. No.: **29/684,229**

(22) Filed: **Mar. 19, 2019**

(51) **LOC (13) Cl.** ..... **24-02**

(52) **U.S. Cl.**  
USPC ..... **D24/217; D10/114.1**

(58) **Field of Classification Search**  
USPC ..... D10/57, 58, 109.1, 111, 114.1; D23/366;  
D24/216, 217; D28/73  
CPC ..... A61L 2/24; A61L 2/26; G02B 6/0038  
See application file for complete search history.

(56) **References Cited**

**U.S. PATENT DOCUMENTS**

D321,564 S *	11/1991	Miller	.....	D24/217
D369,868 S *	5/1996	Nazareth	.....	D24/224
D489,440 S *	5/2004	Anderson	.....	D23/366
D524,998 S	7/2006	Nickerson et al.		
D679,825 S	4/2013	Elkerbout et al.		
D685,383 S *	7/2013	Anderson	.....	D14/480.5
D719,673 S	12/2014	Leyva et al.		
D726,329 S *	4/2015	Sokolov	.....	D24/223
9,610,373 B2	4/2017	Leyva		
9,669,124 B2	6/2017	Leyva et al.		
D810,264 S *	2/2018	Lu	.....	D23/366
D825,778 S	8/2018	Brenner et al.		
D828,575 S *	9/2018	Ohno	.....	D24/216
D835,292 S *	12/2018	Luzon	.....	D24/117
D843,005 S *	3/2019	Kobeli	.....	D24/216

(Continued)

**OTHER PUBLICATIONS**

Notice of Allowance dated Mar. 6, 2020, issued in U.S. Appl. No. 29/684,168, 8 pages.

(Continued)

*Primary Examiner* — Calvin E Vansant  
(74) *Attorney, Agent, or Firm* — Grossman, Tucker, Perreault & Pfeleger, PLLC

(57) **CLAIM**

The ornamental design for a light bar for a sanitizing machine, as shown and described.

**DESCRIPTION**

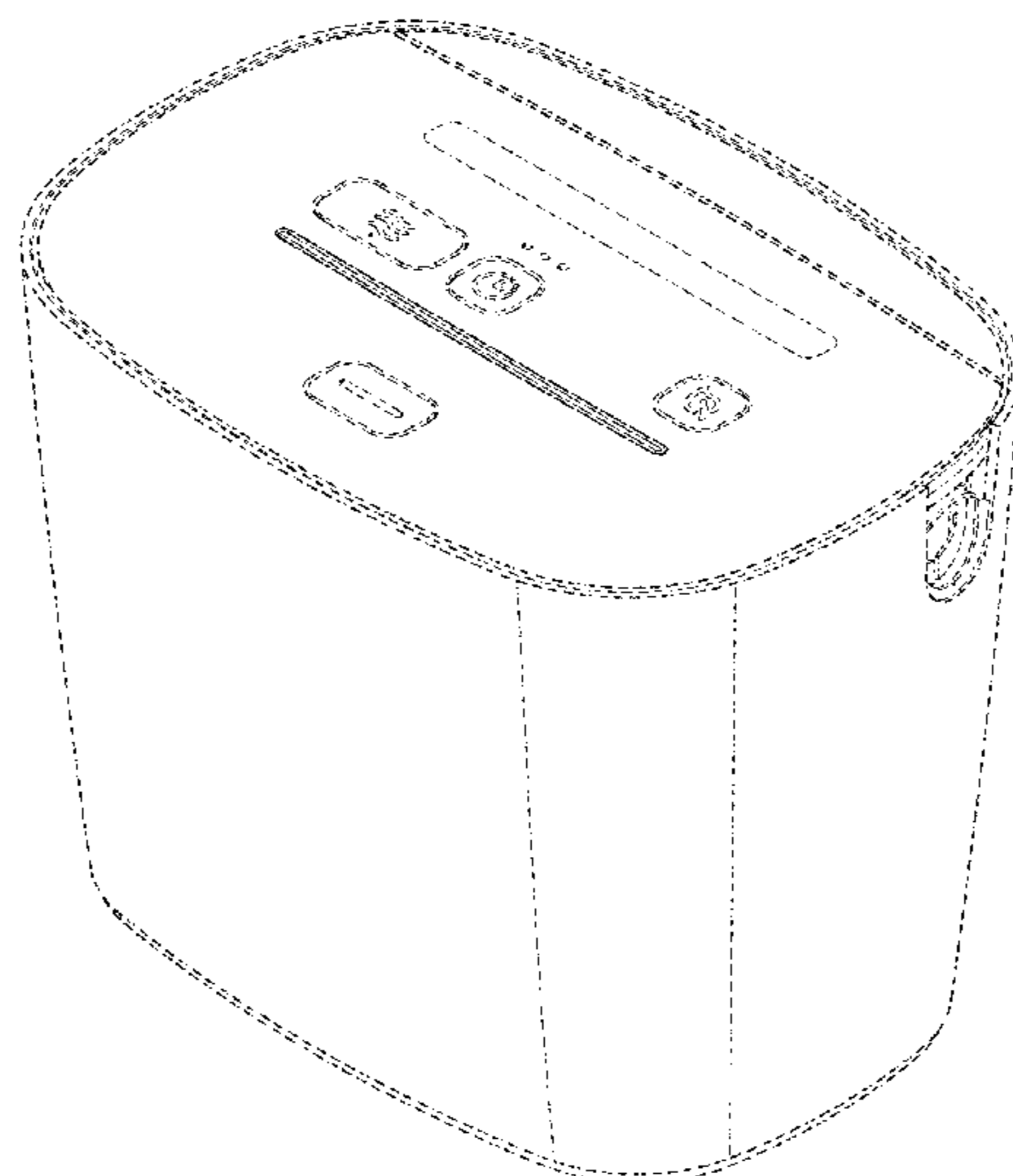
FIG. 1 is a first front top right perspective view of a light bar for a sanitizing machine showing the new design in combination with an unclaimed sanitizing machine with a lid down;

FIG. 2 is a first front top left perspective view thereof;  
FIG. 3 is a second front top left perspective view thereof;  
FIG. 4 is a second front top right perspective view thereof;  
FIG. 5 is a first front top left perspective view of the light bar for a sanitizing machine of FIG. 1 in combination with an unclaimed sanitizing machine with a lid open;  
FIG. 6 is a first front top right perspective view thereof;  
FIG. 7 is a top view of the light bar for a sanitizing machine of FIG. 1; and,

FIG. 8 is another view of the light bar for a sanitizing machine of FIG. 5 in combination with an unclaimed sanitizing machine with a lid open.

The broken lines in the figures show portions of the light bar for a sanitizing machine that form no part of the claimed design. Any color, logos, surface ornamentation, and written matter shown in the figures form no part of the claimed design and is/are hereby disclaimed.

**1 Claim, 8 Drawing Sheets**



(56)

**References Cited**

U.S. PATENT DOCUMENTS

D843,006 S \* 3/2019 Huang ..... D24/216  
D848,635 S 5/2019 Davis  
D862,676 S \* 10/2019 Hu ..... D23/366  
10,427,961 B2 10/2019 Leyva et al.  
D901,713 S \* 11/2020 Nicoll ..... D24/217  
D913,472 S \* 3/2021 Malek-Ahmadi ..... D23/366  
D914,234 S \* 3/2021 Yi ..... D24/217  
D917,398 S \* 4/2021 Gouhl ..... D13/139.3  
D959,013 S \* 7/2022 Ou Yang ..... B65D 47/18  
D24/217  
D959,692 S \* 8/2022 Kim ..... G06F 1/182  
D12/416  
2022/0128049 A1 \* 4/2022 Van Stell ..... G06F 1/182

OTHER PUBLICATIONS

Notice of Allowance dated Mar. 9, 2020, issued in U.S. Appl. No. 29/684,173, 8 pages.

U.S. Appl. No. 29/684,168, filed Mar. 19, 2019.

U.S. Appl. No. 29/684,173, filed Mar. 19, 2019.

U.S. Appl. No. 29/684,180, filed Mar. 19, 2019.

U.S. Appl. No. 29/684,188, filed Mar. 19, 2019.

U.S. Appl. No. 29/684,196, filed Mar. 19, 2019.

U.S. Appl. No. 29/684,206, filed Mar. 19, 2019.

U.S. Appl. No. 29/684,213, filed Mar. 19, 2019.

\* cited by examiner

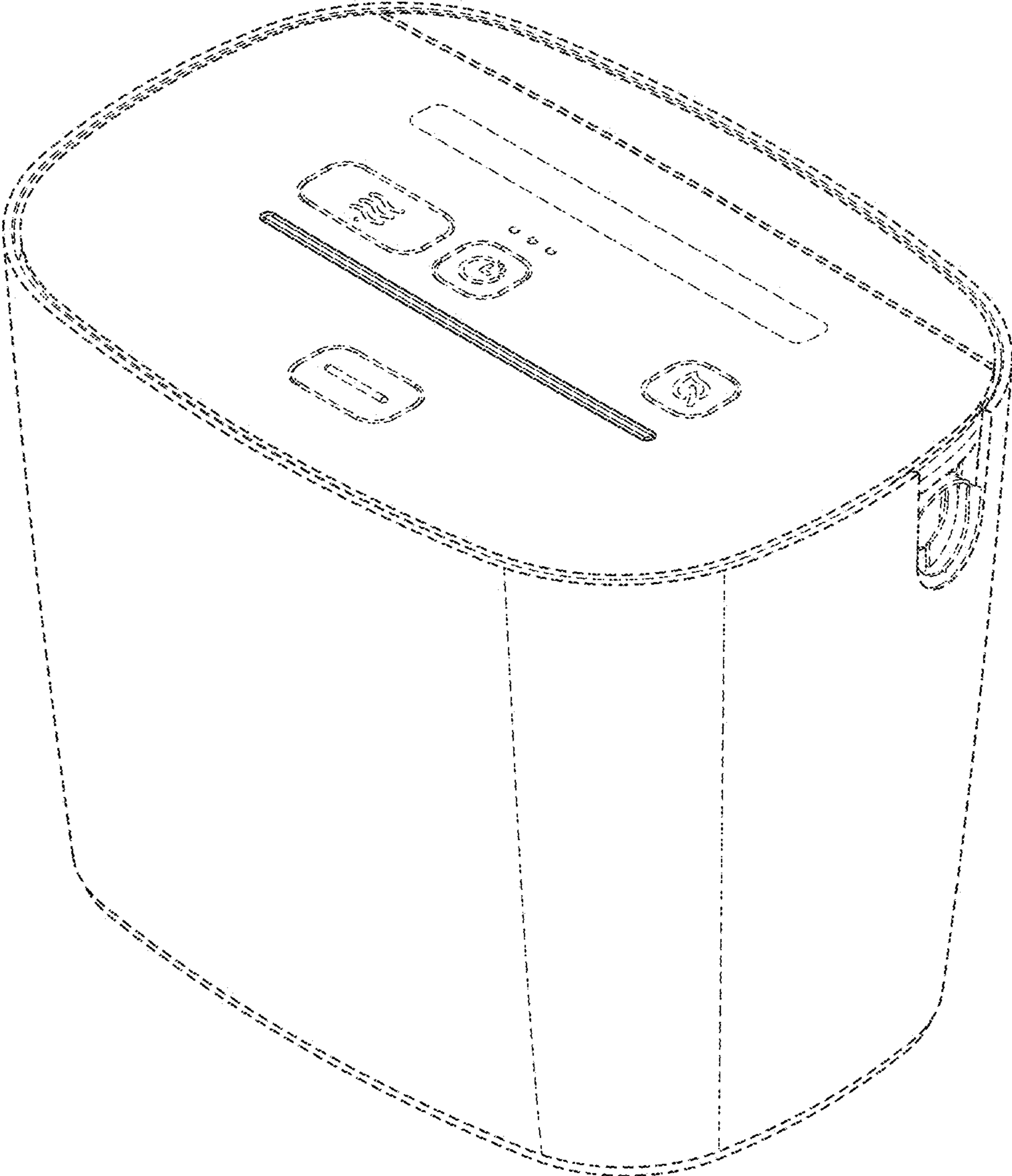


FIG. 1

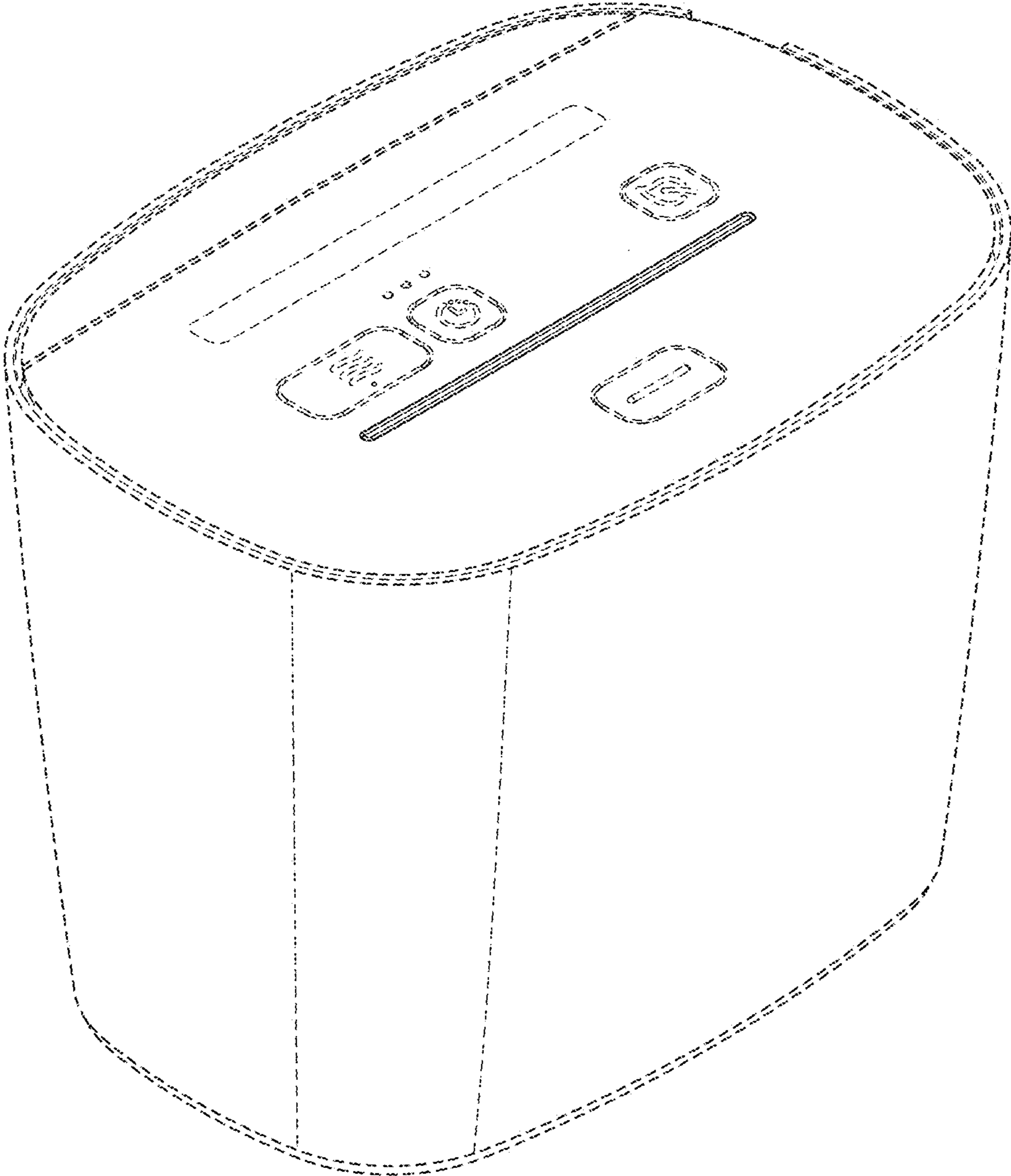


FIG. 2

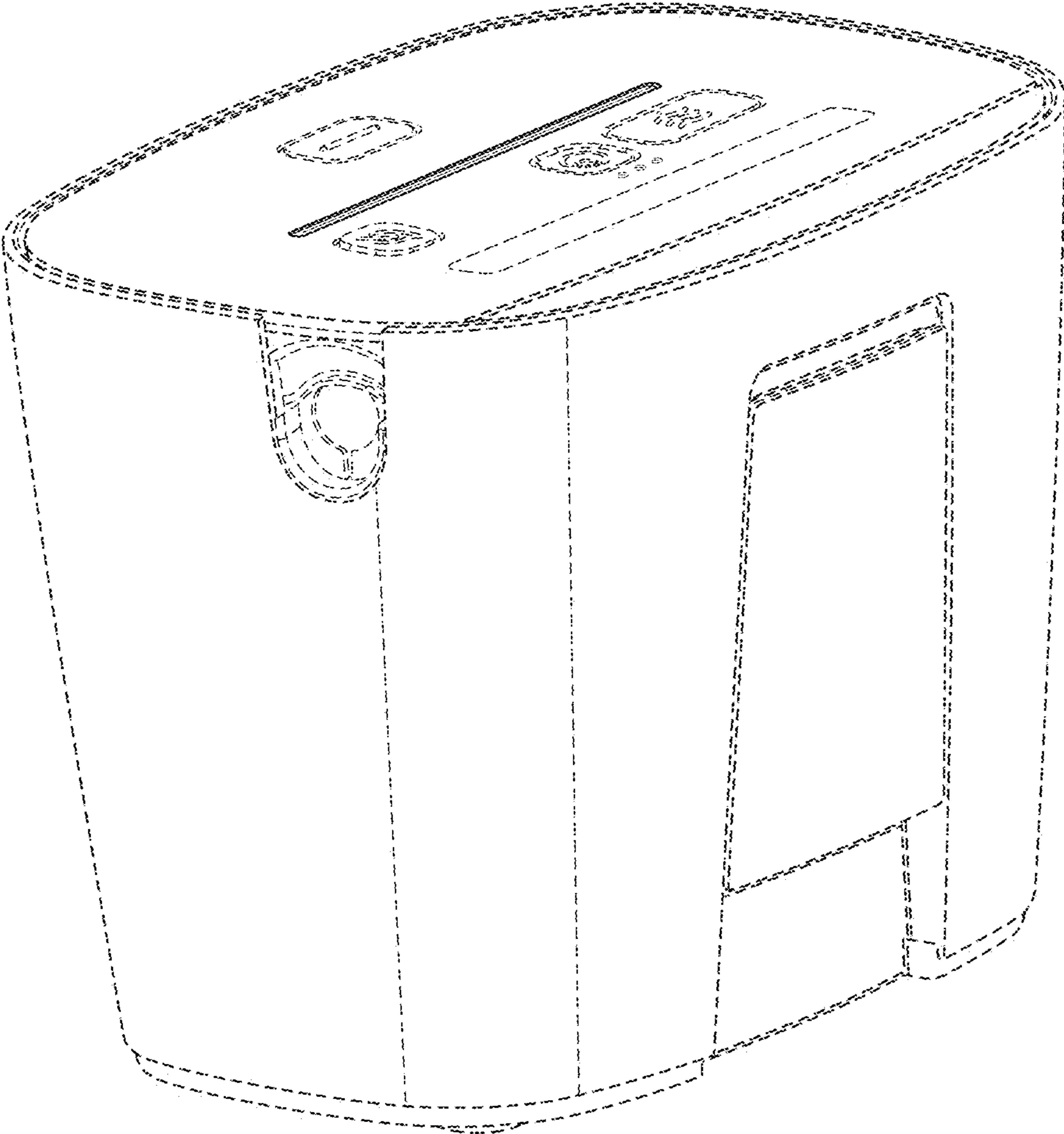


FIG. 3

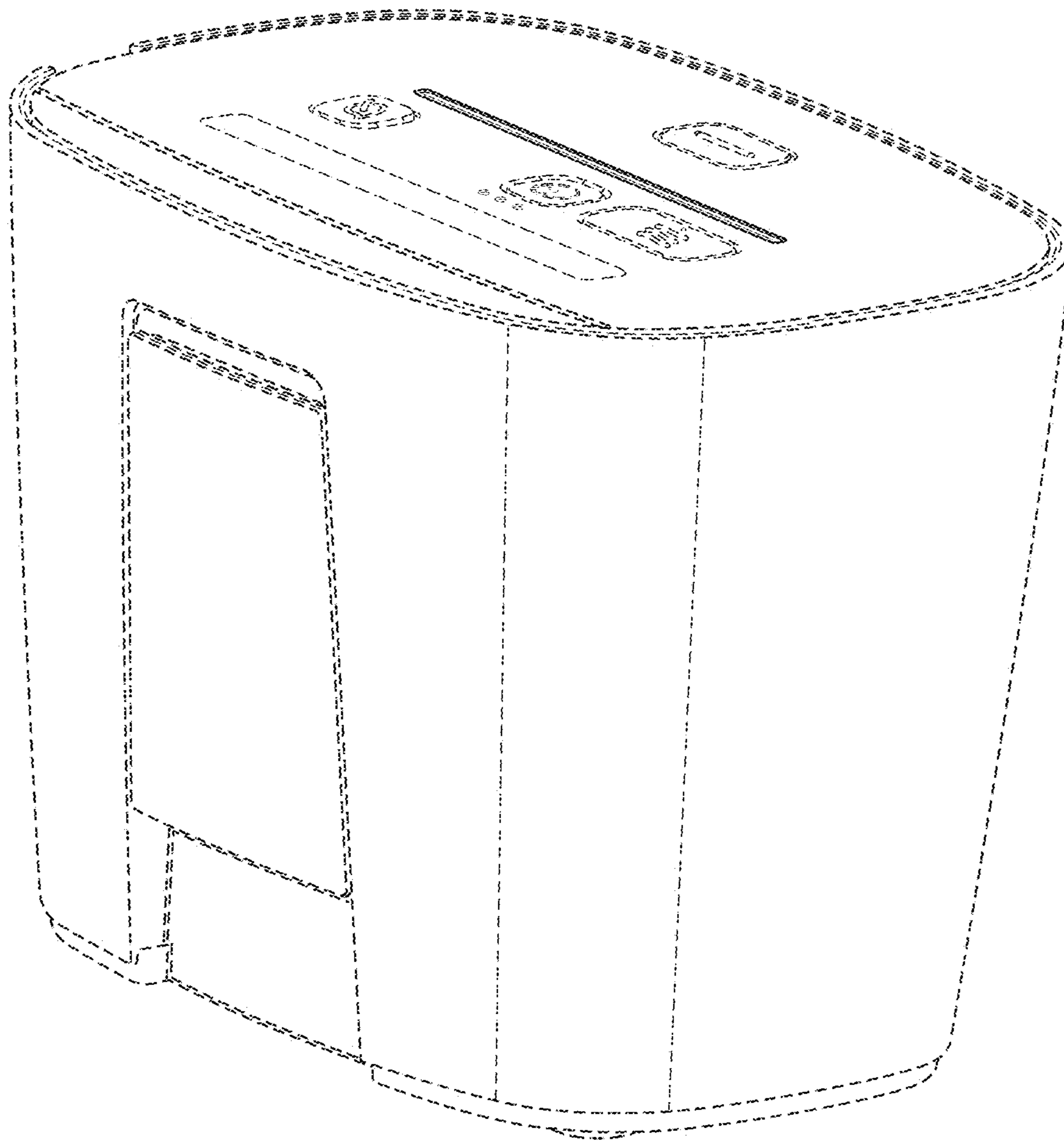


FIG. 4

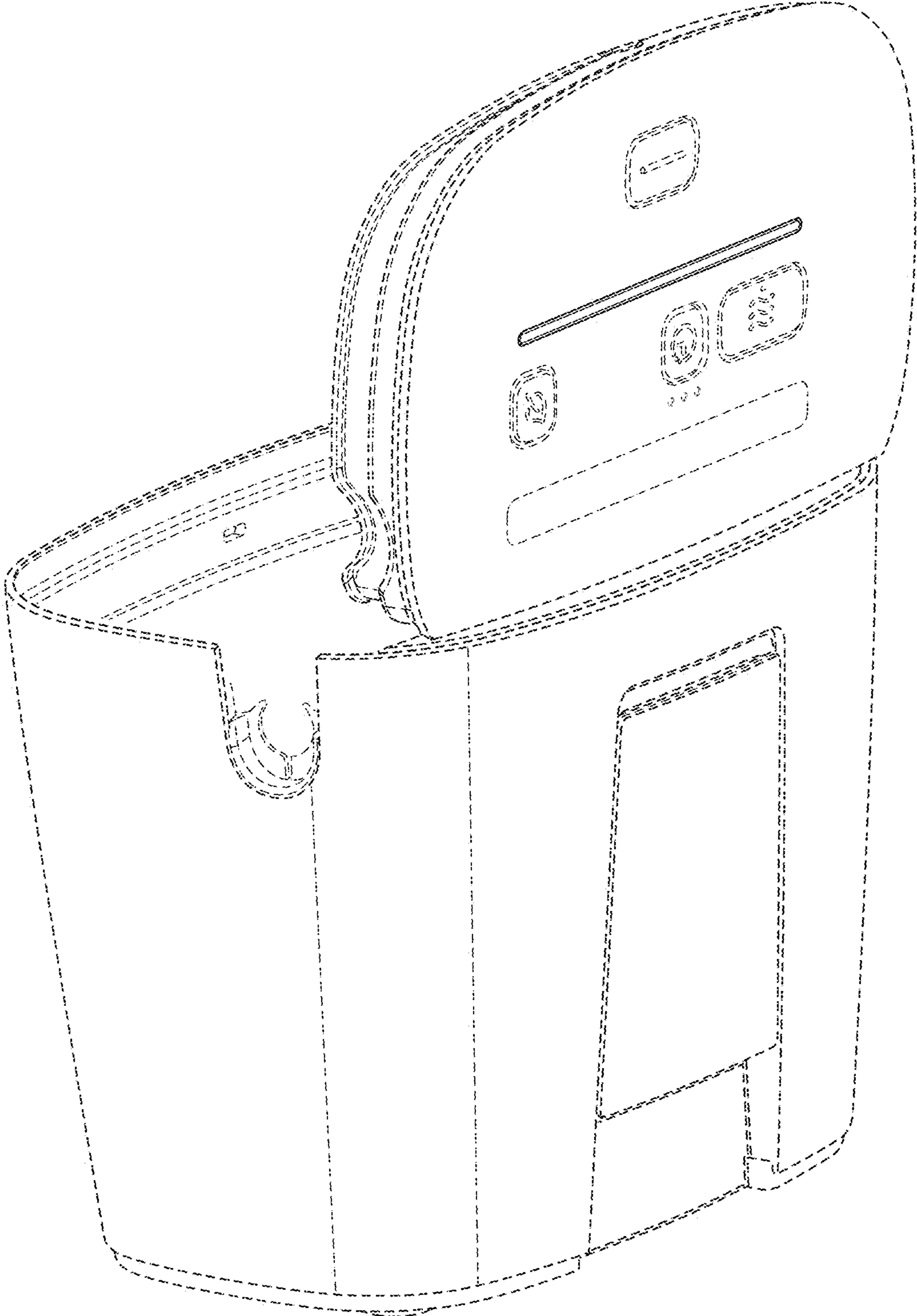


FIG. 5

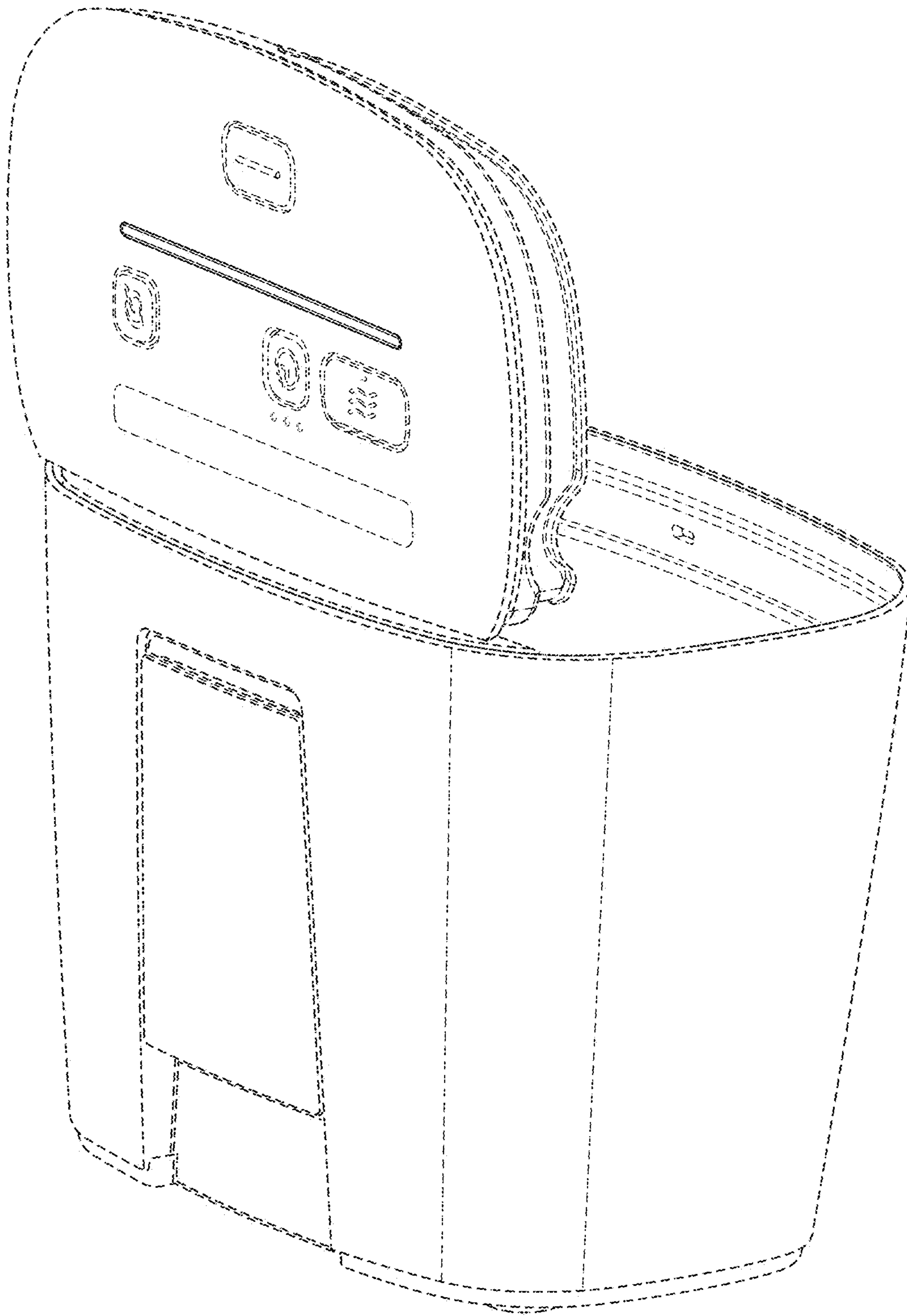


FIG. 6



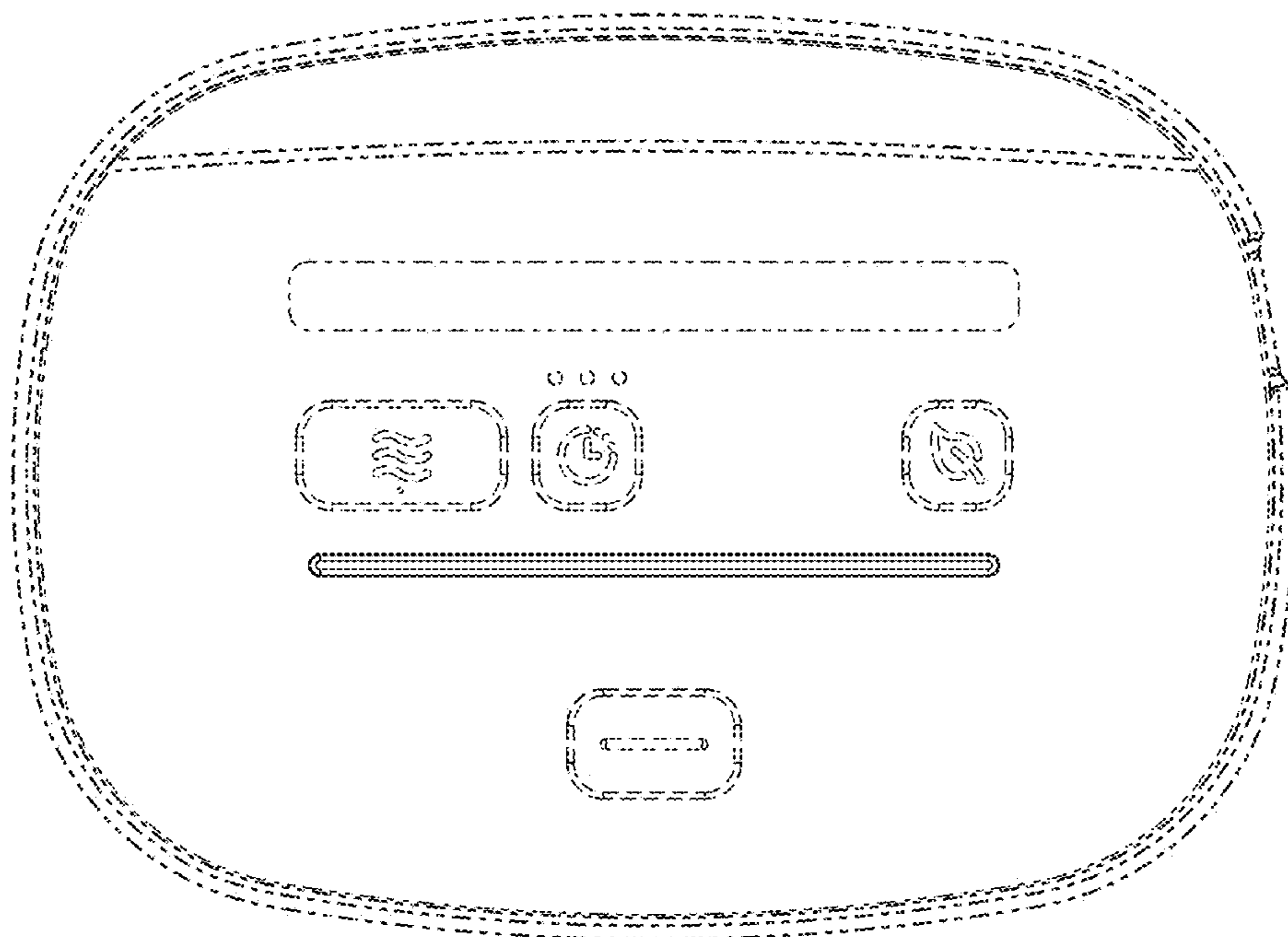


FIG. 7

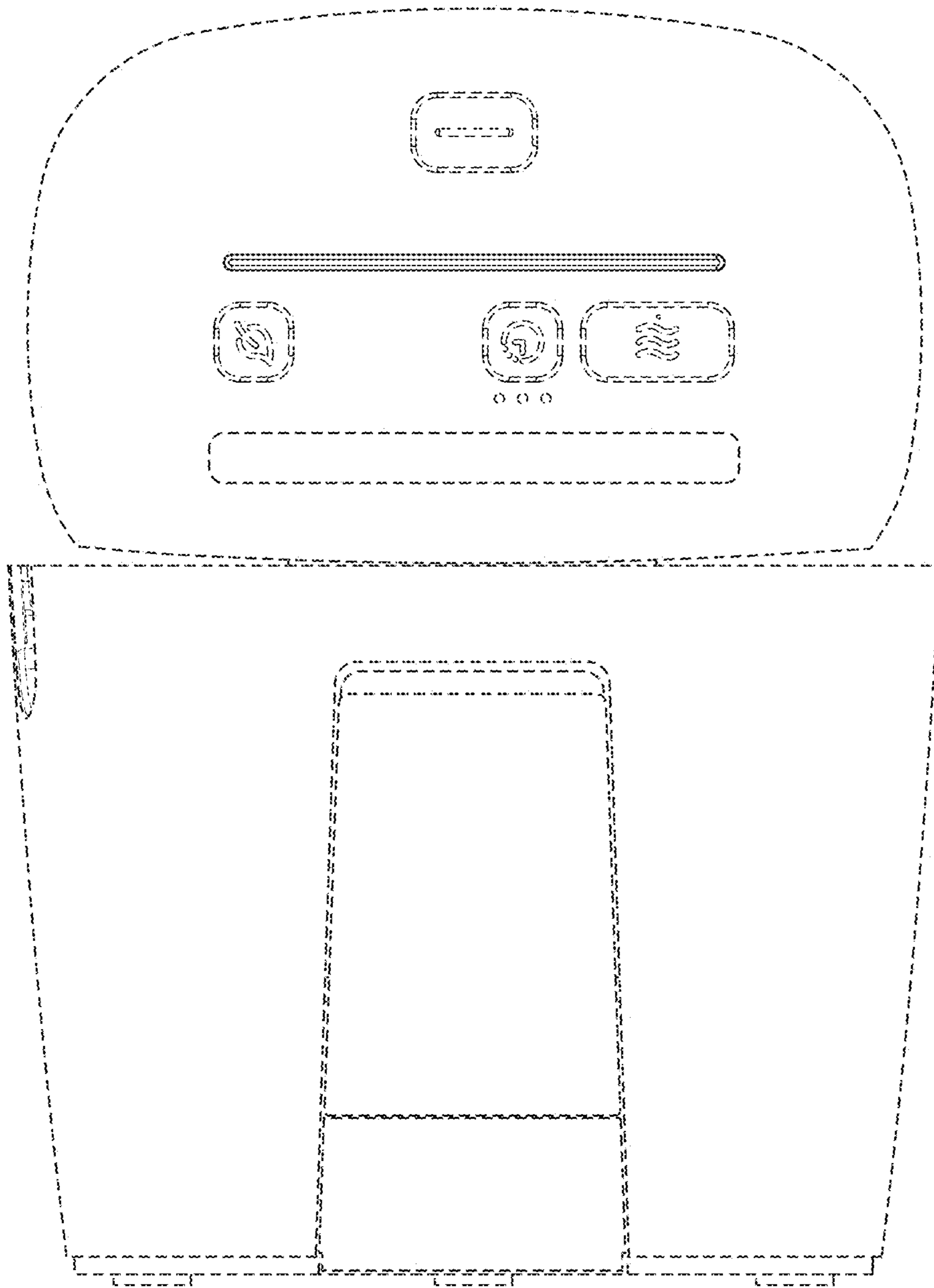


FIG. 8