



US00D973896S

(12) **United States Design Patent**
Lin

(10) **Patent No.:** **US D973,896 S**
(45) **Date of Patent:** **** Dec. 27, 2022**

- (54) **FASCIA GUN**
- (71) Applicant: **Xilong Lin**, Wenzhou (CN)
- (72) Inventor: **Xilong Lin**, Wenzhou (CN)
- (**) Term: **15 Years**
- (21) Appl. No.: **29/784,366**
- (22) Filed: **May 19, 2021**

D921,215 S *	6/2021	Xu	D24/215
D928,339 S *	8/2021	Yang	D24/215
D934,442 S *	10/2021	Xu	D24/215
D949,368 S *	4/2022	Hu	D24/211
D949,427 S *	4/2022	Ying	D24/215

(30) **Foreign Application Priority Data**

- Apr. 22, 2021 (CN) 202130231707.4
- (51) **LOC (13) Cl.** **28-03**
- (52) **U.S. Cl.**
USPC **D24/215**
- (58) **Field of Classification Search**
USPC D24/200, 209, 211, 212, 213, 214, 215;
D8/14.1; D28/13, 44
CPC A61H 23/006; A61H 2201/0153; A61H
2201/0157; A61H 2201/1654; A61H
7/003; A61H 2023/002
See application file for complete search history.

(56) **References Cited**

U.S. PATENT DOCUMENTS

D476,746 S *	7/2003	Harris	D24/214
D900,329 S *	10/2020	Xu	D24/215
D920,532 S *	5/2021	Xu	D24/215

OTHER PUBLICATIONS

Dracarus, "Original Dual Massage Gun", Access Date: Oct. 5, 2022.
<https://dracarus.com/products/mukasi-double-heads-massage-gun-deep-tissue-electric-massager-neck-body-muscle-stimulation-percussion-pistol-fitness-relaxation> (Year: 2022).*

* cited by examiner

Primary Examiner — Michael A Maharajh
(74) *Attorney, Agent, or Firm* — Jeenam Park

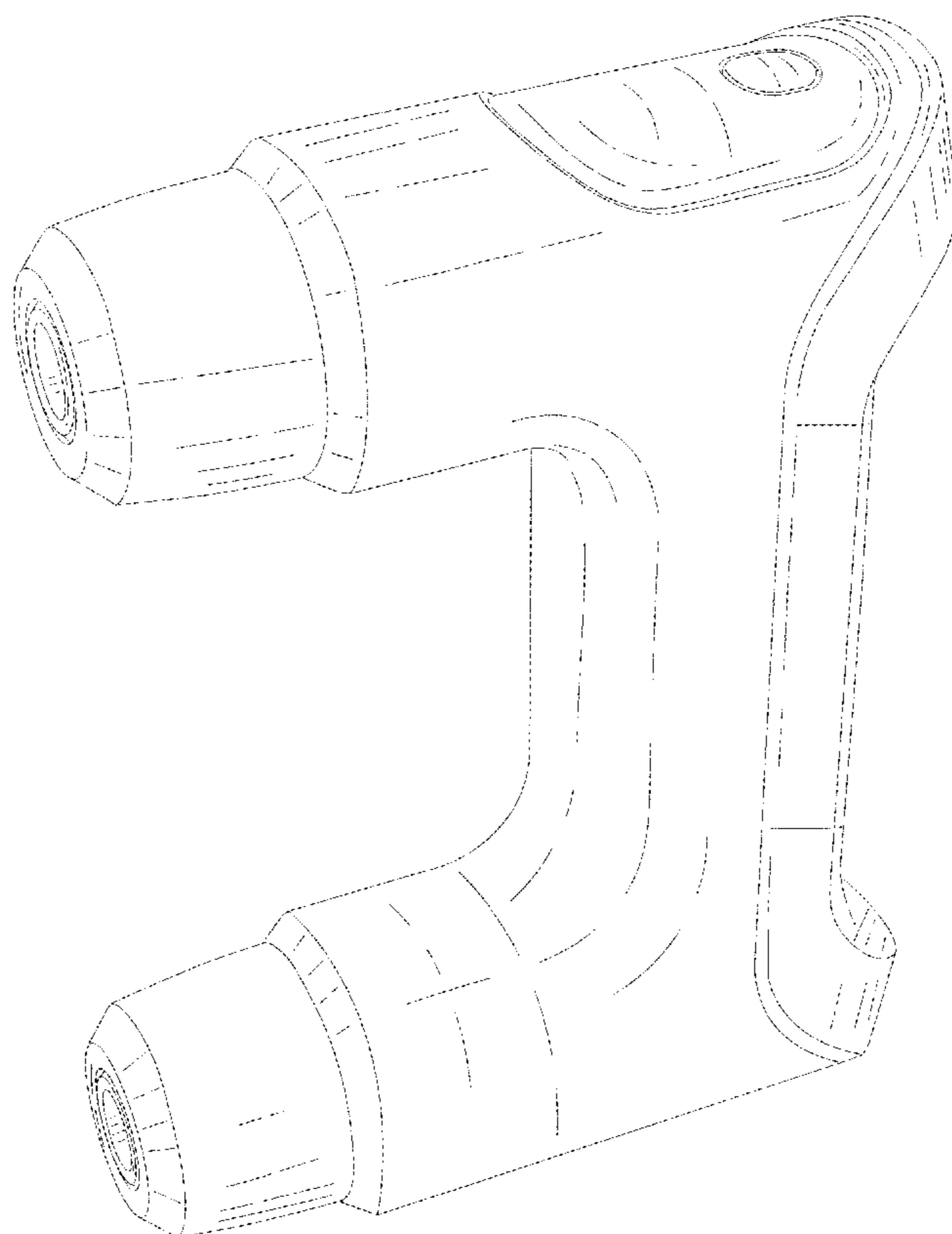
(57) **CLAIM**

The ornamental design for a fascia gun, as shown and described.

DESCRIPTION

FIG. 1 is a perspective view of a fascia gun showing my new design;
FIG. 2 is a front view thereof;
FIG. 3 is a back view thereof;
FIG. 4 is a left side view thereof;
FIG. 5 is a right side view thereof;
FIG. 6 is a top plan view thereof; and,
FIG. 7 is a bottom plan view thereof.

1 Claim, 7 Drawing Sheets



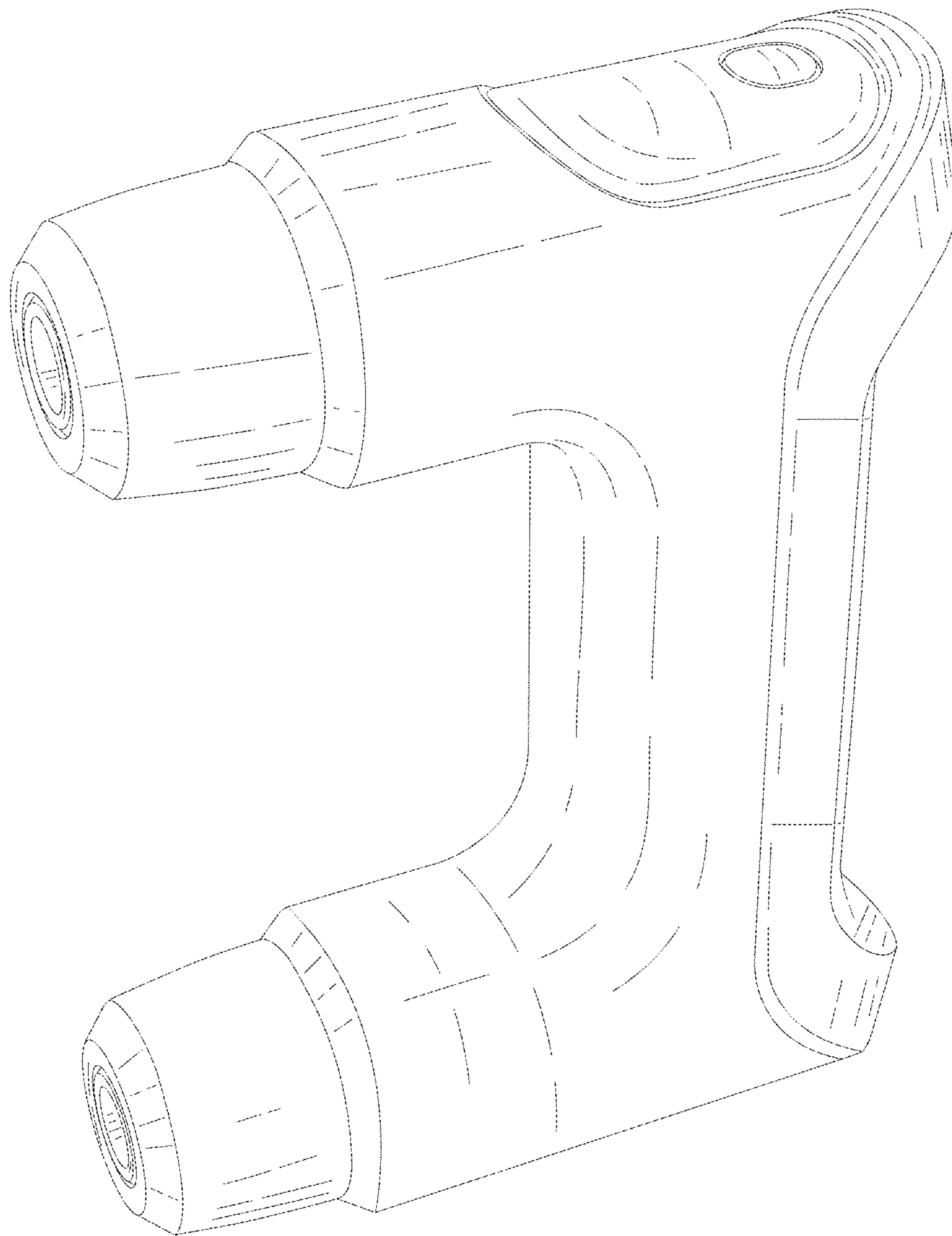


FIG. 1

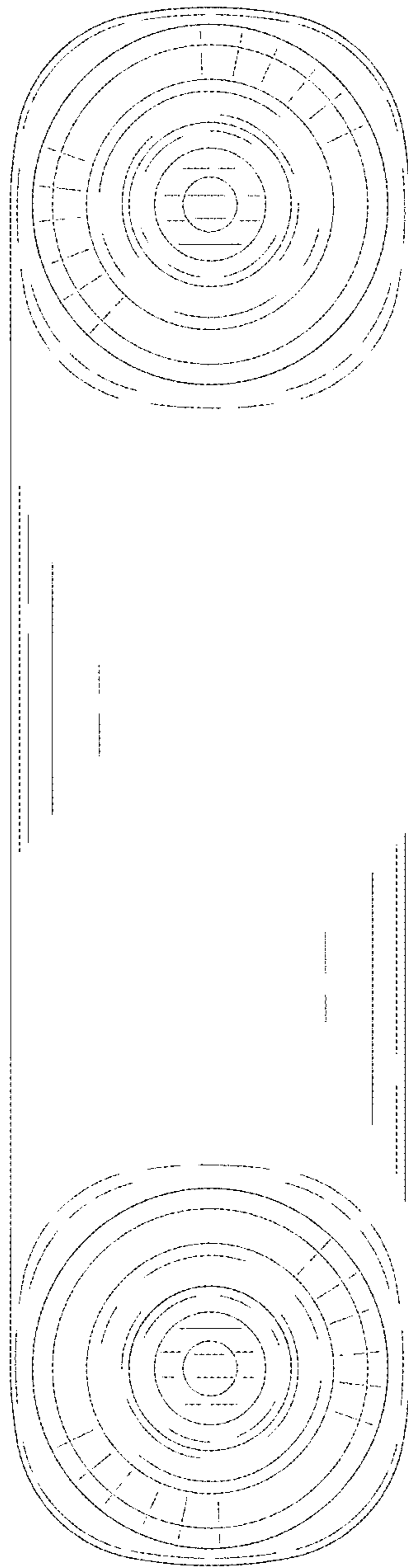


FIG. 2

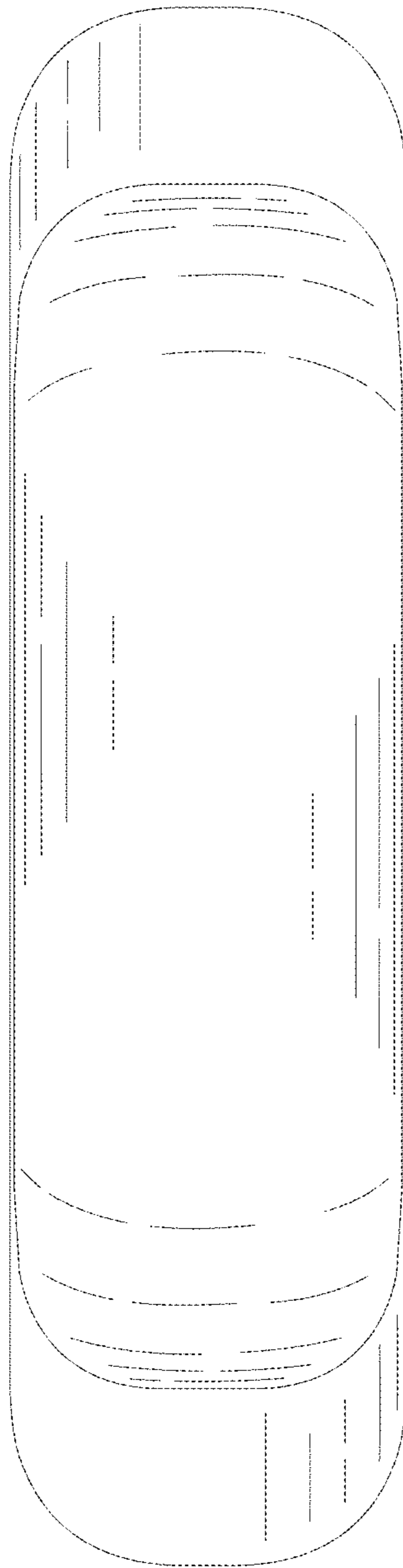


FIG. 3

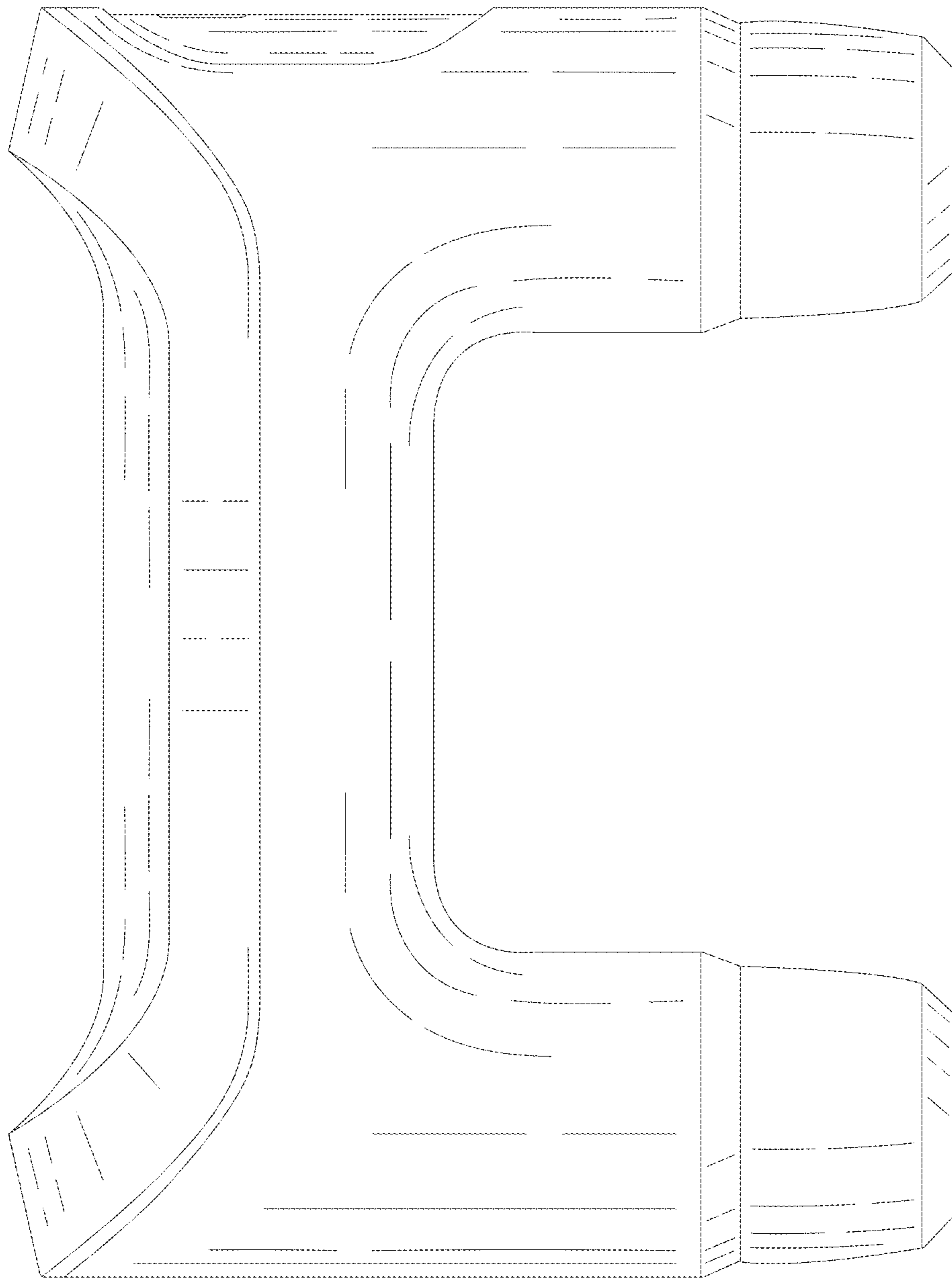


FIG. 4

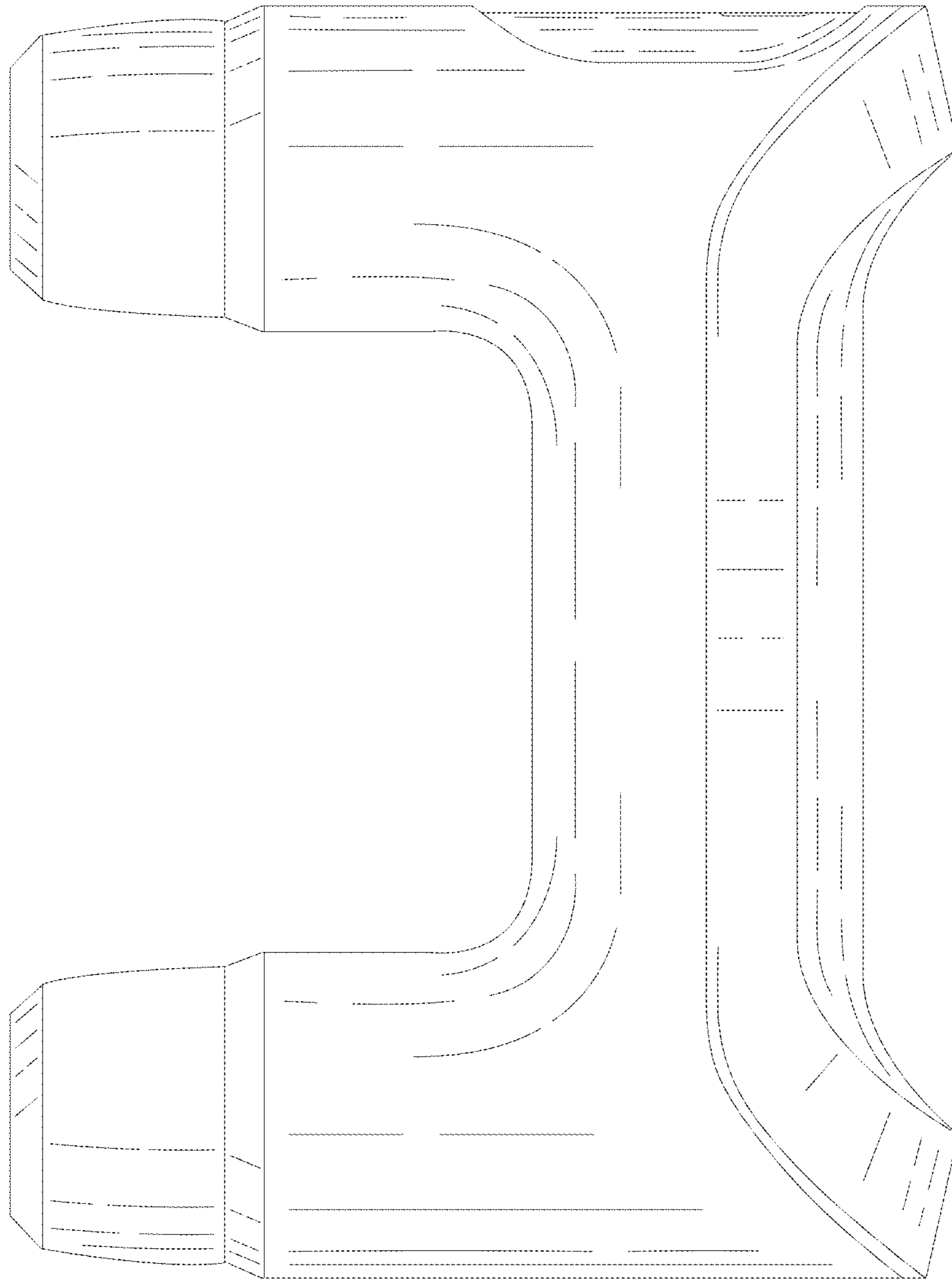


FIG 5

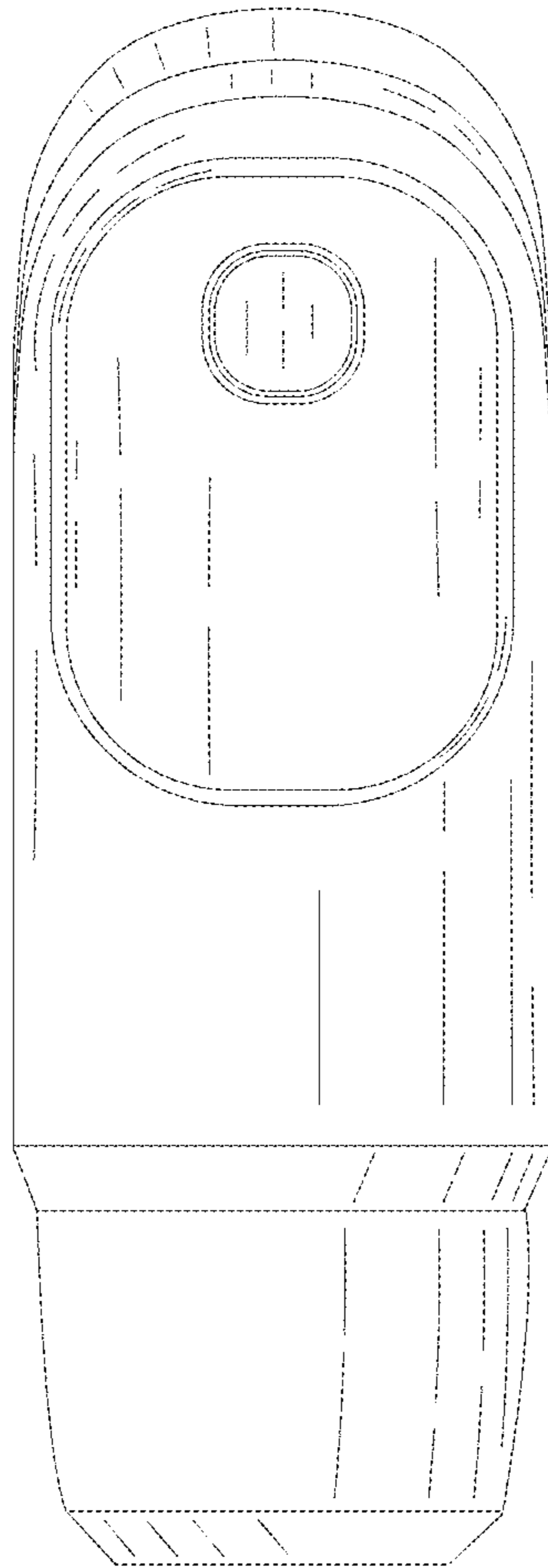


FIG. 6

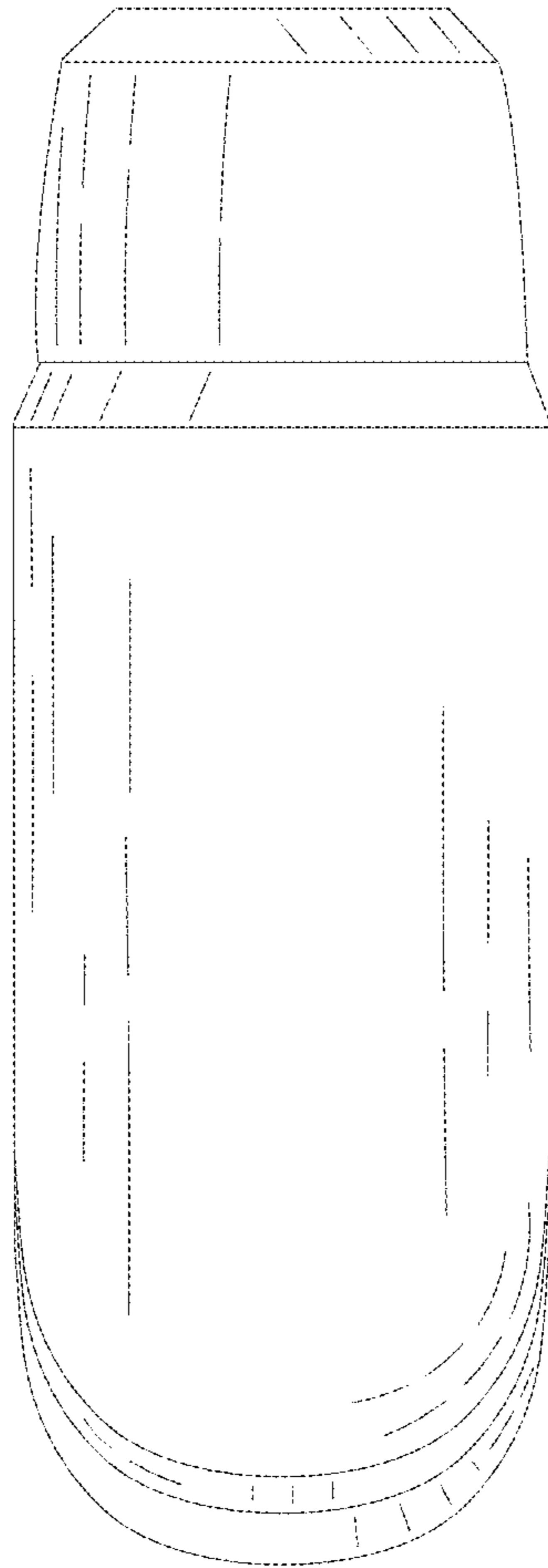


FIG. 7