



US00D973893S

(12) **United States Design Patent**  
**Mazzuchelli**

(10) **Patent No.:** **US D973,893 S**  
(45) **Date of Patent:** **\*\* Dec. 27, 2022**

(54) **REUSABLE HOT AND COLD THERAPY WRAP**

(71) Applicant: **The Pain Soother LLC**, Milford, MA (US)

(72) Inventor: **Pamela Mazzuchelli**, Milford, MA (US)

(\*\*) Term: **15 Years**

(21) Appl. No.: **29/755,087**

(22) Filed: **Oct. 16, 2020**

(51) **LOC (13) Cl.** ..... **24-01**

(52) **U.S. Cl.**  
USPC ..... **D24/207; D24/206**

(58) **Field of Classification Search**  
USPC ..... D24/206–208, 190, 192; D29/121.2  
CPC ..... A61F 7/00; A61F 7/02; A61F 7/10; A61F 2007/0001; A61F 2007/0044; A61F 2007/0045; A61F 2007/0231; A61F 5/0111; A61F 5/0127

See application file for complete search history.

(56) **References Cited**

**U.S. PATENT DOCUMENTS**

D324,270 S	2/1992	Raya et al.	
5,743,867 A *	4/1998	Hickling	A61F 7/02
			602/61
D397,797 S *	9/1998	Chiang	D24/192
D477,413 S *	7/2003	Schirmacher	D24/206
D496,108 S *	9/2004	Machin	D24/206
6,945,988 B1	9/2005	Jones	
D679,023 S *	3/2013	Quisenberry	D24/207
10,639,190 B2 *	5/2020	Roberts	A61F 7/02

(Continued)

**OTHER PUBLICATIONS**

The Pain Soother “Hot & Cold Foot Therapy Wrap—Plantar Fasciitis, Heel Spurs, Arch Pain, Sort Feet”.\*

Primary Examiner — Wan Laymon

(74) Attorney, Agent, or Firm — Pillsbury Winthrop Shaw Pittman, LLP

(57) **CLAIM**

The ornamental design for a reusable hot and cold therapy wrap, as shown and described.

**DESCRIPTION**

FIG. 1 is an overhead, frontal perspective view of a reusable hot and cold therapy wrap, in an open position, showing my new design;

FIG. 2 is a top view thereof;

FIG. 3 is bottom view thereof;

FIG. 4 is an overhead, frontal perspective view thereof, with a body portion of the wrap being in an expanded position and having an optional gel pack in a sleeve or a pocket thereof;

FIG. 5 is an angled, overhead perspective view thereof and with the optional gel pack extended from said pocket;

FIG. 6 is an angled, overhead perspective view thereof, in a closed position;

FIG. 7 is a side view thereof in the closed position;

FIG. 8 is a detailed, inside view of the body portion thereof in the expanded position;

FIG. 9 is an underside view of a strap of the reusable hot and cold therapy wrap;

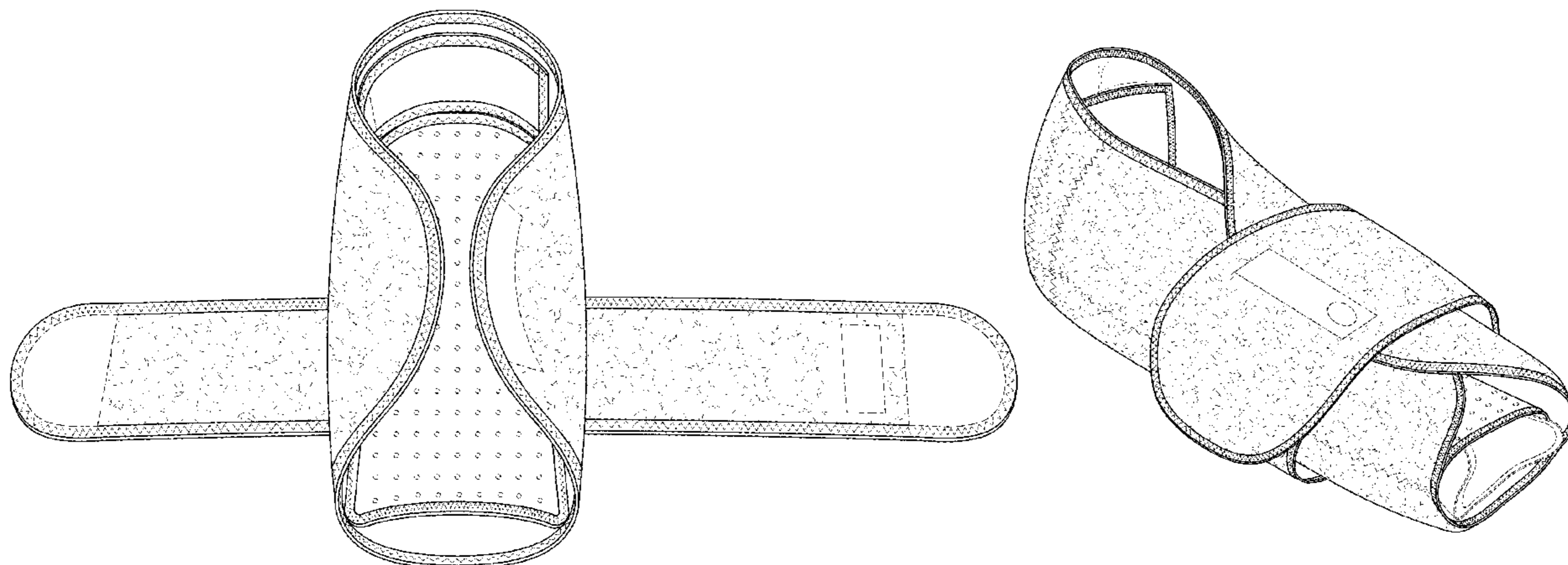
FIG. 10 is a top side view of the strap of FIG. 9;

FIG. 11 is a first angled side perspective view of the reusable hot and cold therapy wrap in the closed position and configured for use; and,

FIG. 12 is a second angled side perspective view thereof in the closed position.

In the drawings, the broken lines depicting portions of the reusable hot and cold therapy wrap form no part of the claimed design; all other broken lines depict unclaimed environmental subject matter and form no part of the claimed design. Stitching throughout the Figures is in dot-dot-dot broken lines and forms no part of the claimed design.

**1 Claim, 12 Drawing Sheets**



(56)

**References Cited**

U.S. PATENT DOCUMENTS

D923,805 S	6/2021	Li	
D927,007 S	8/2021	Escamilla	
D944,405 S *	2/2022	Lee .....	D24/206
2004/0049253 A1	3/2004	Bryant	
2007/0197950 A1 *	8/2007	Flick .....	A61F 7/10 602/65
2008/0188786 A1	8/2008	Hickling	
2010/0152823 A1	6/2010	Muchowicz	

\* cited by examiner

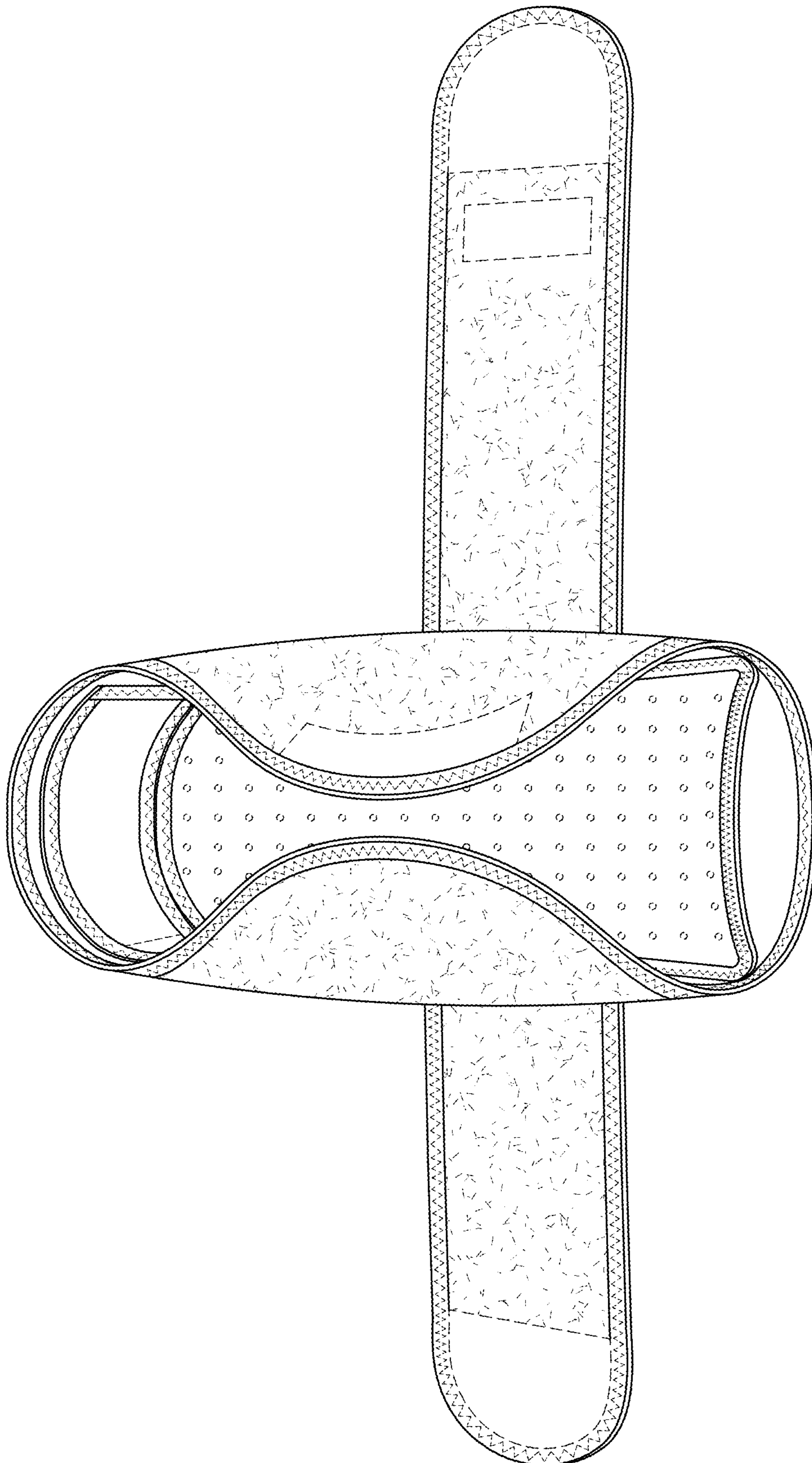


FIG. 1



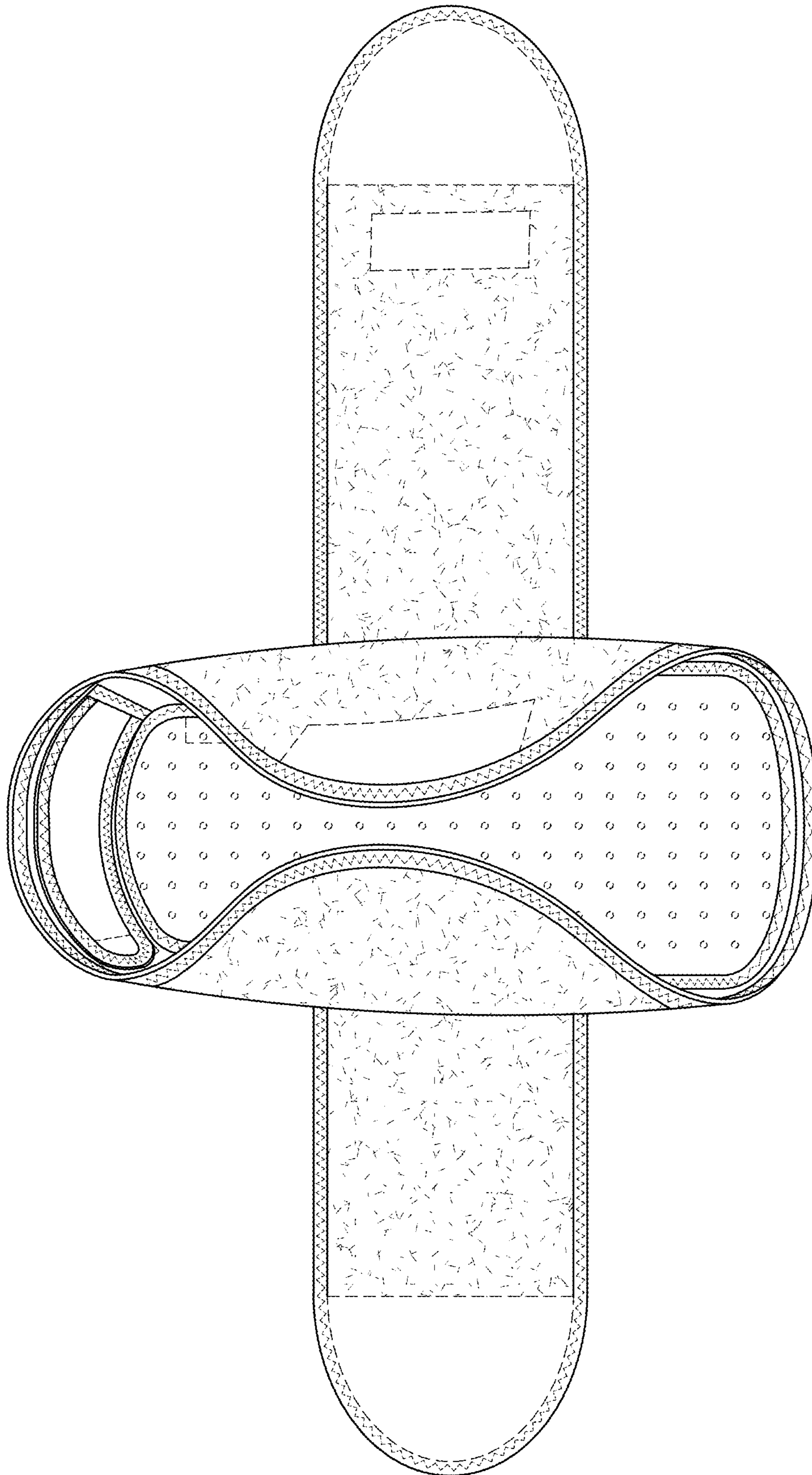


FIG. 2

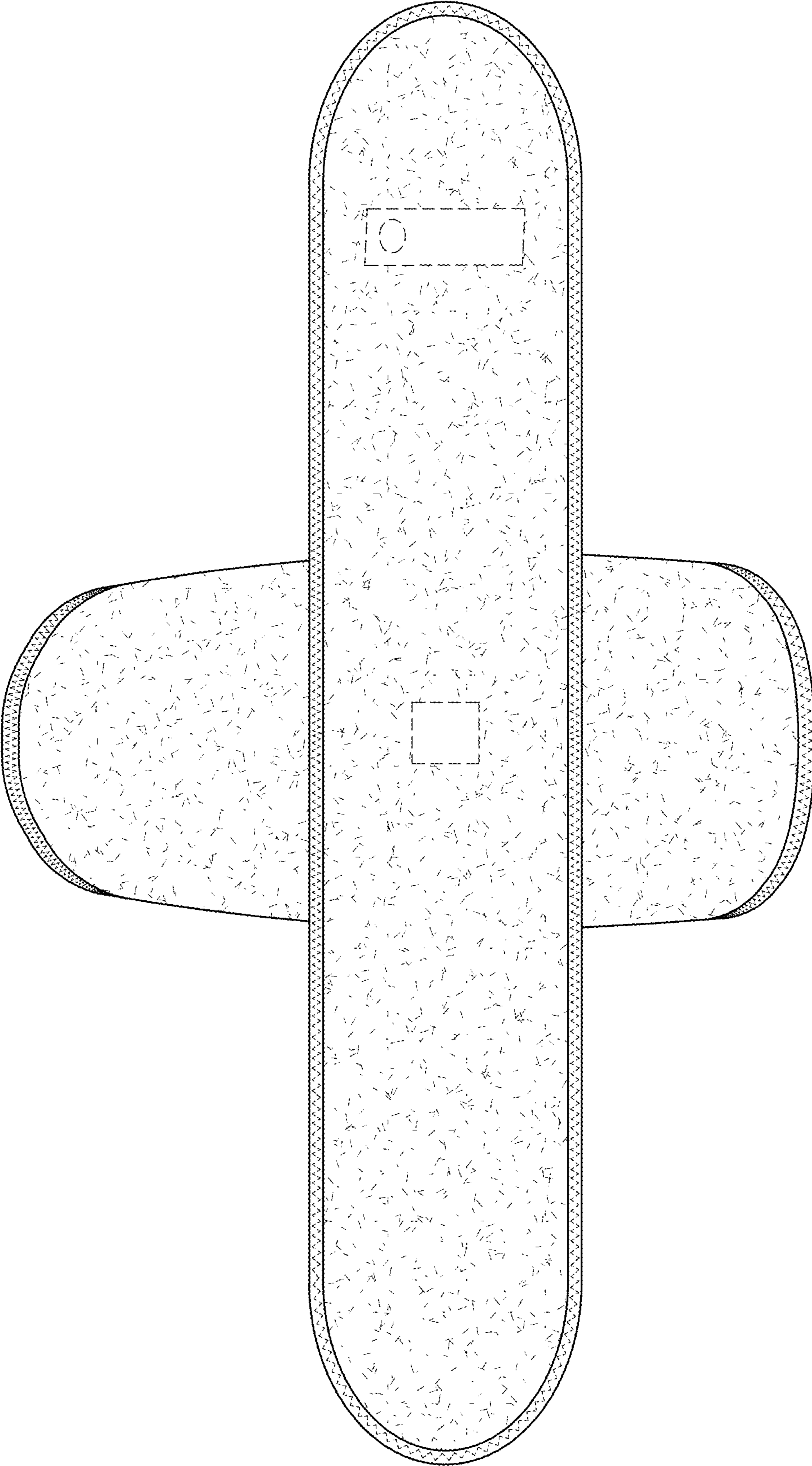


FIG. 3

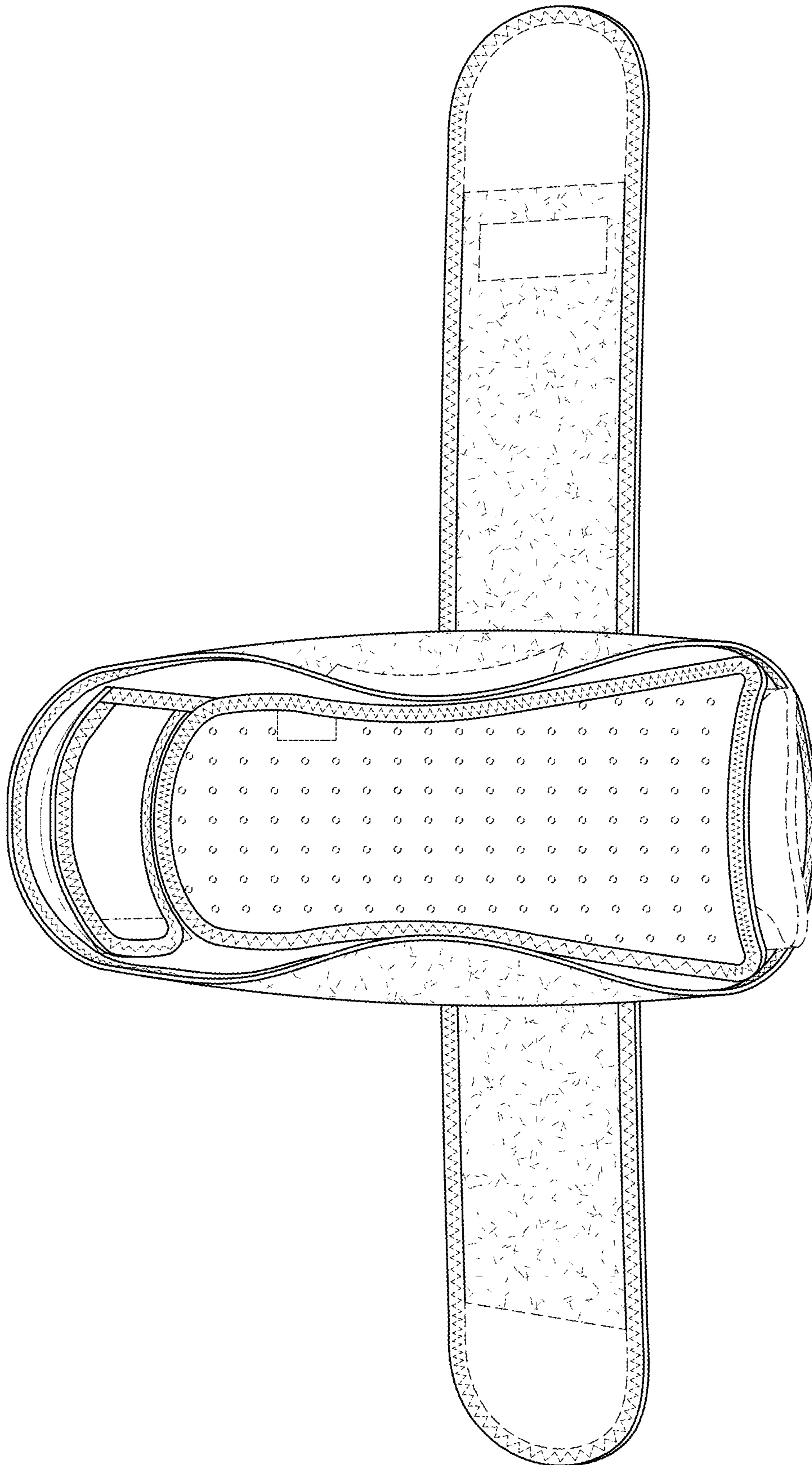


FIG. 4



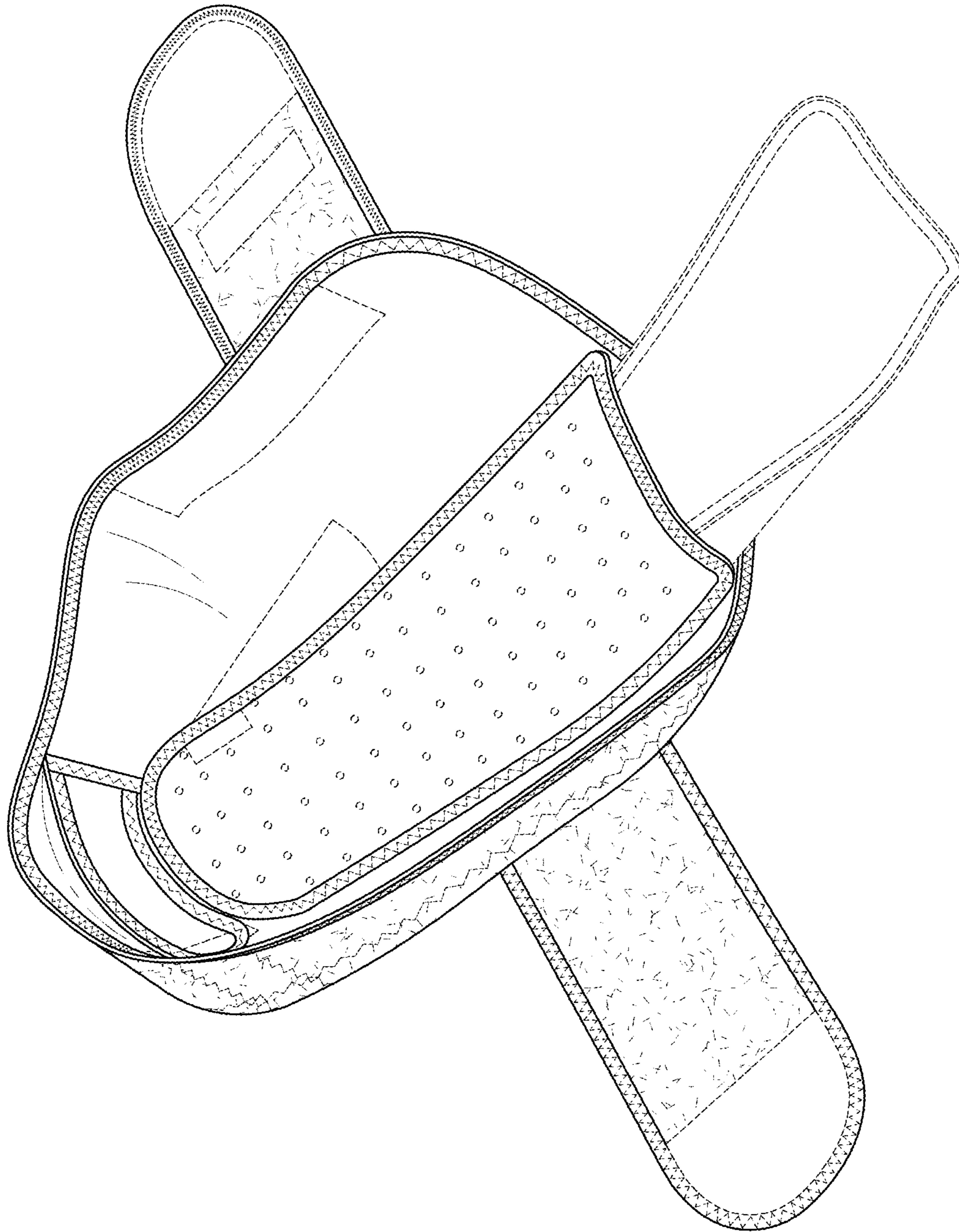


FIG. 5

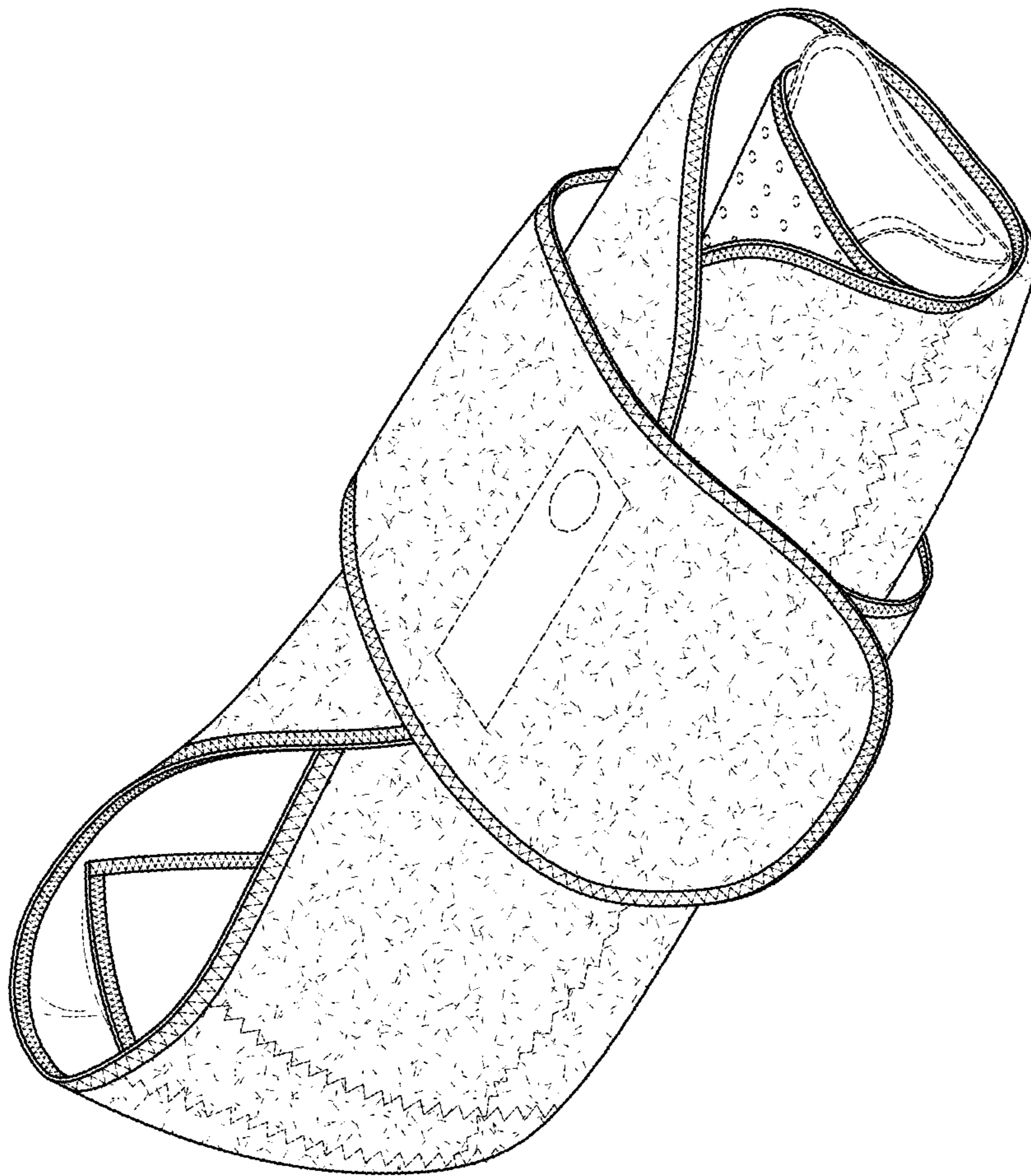


FIG. 6



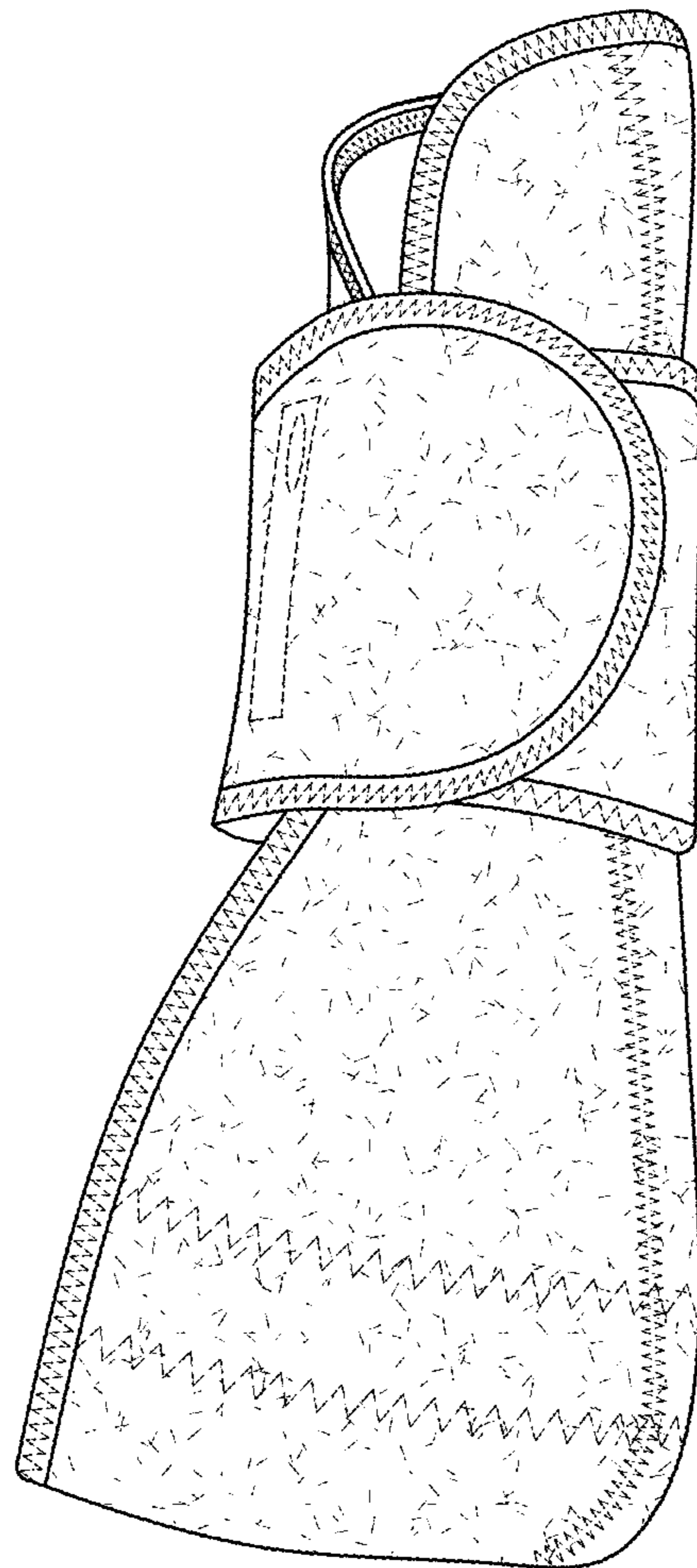


FIG. 7

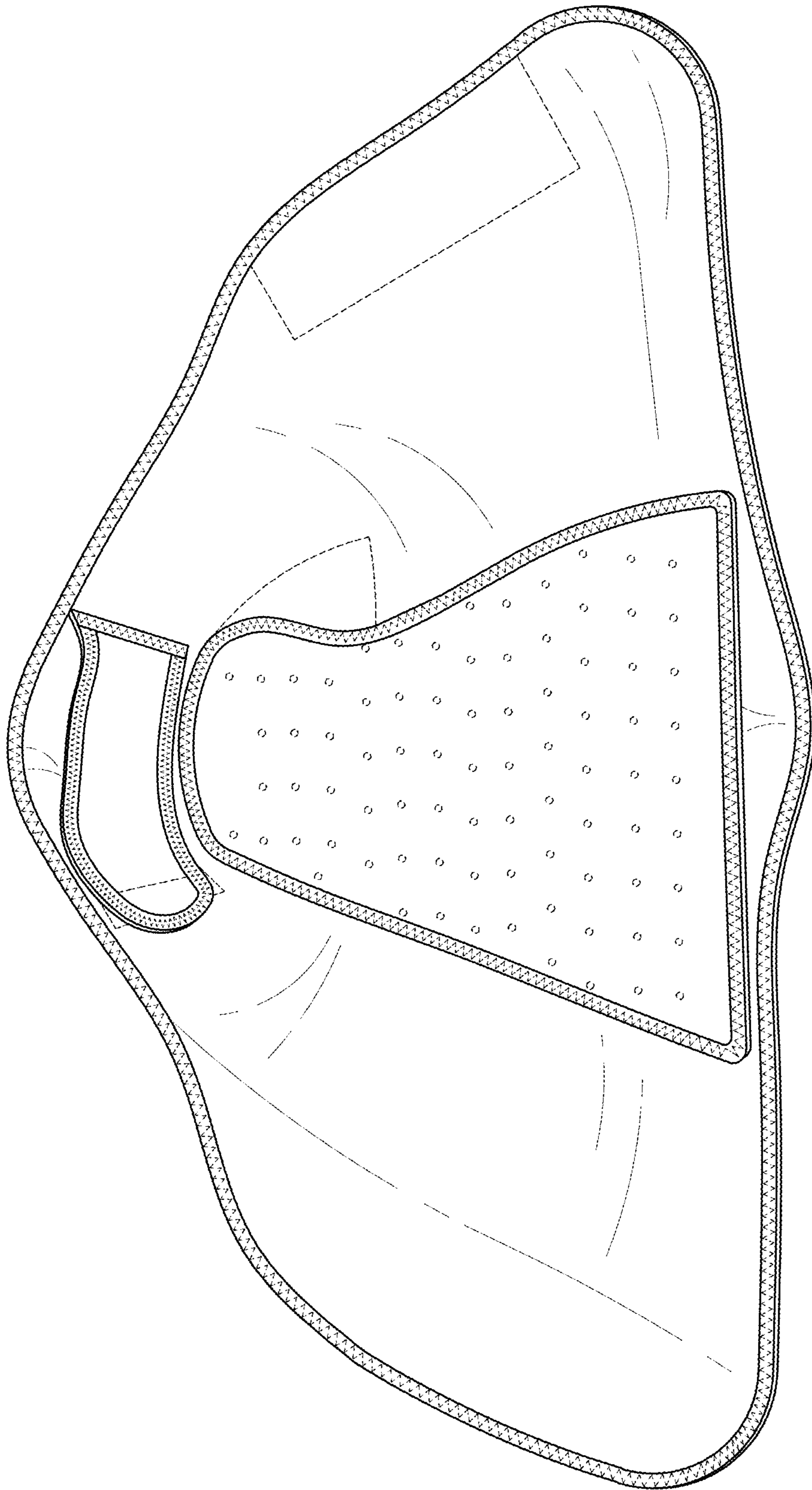


FIG. 8

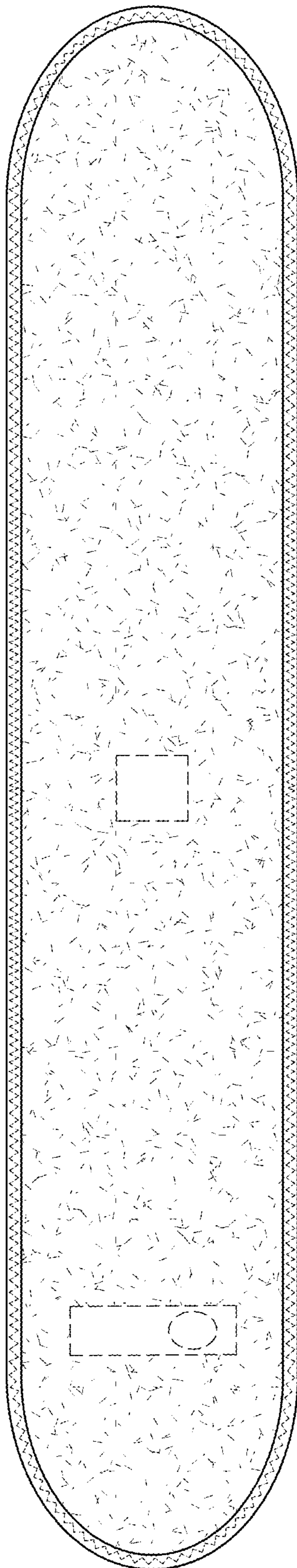


FIG. 9



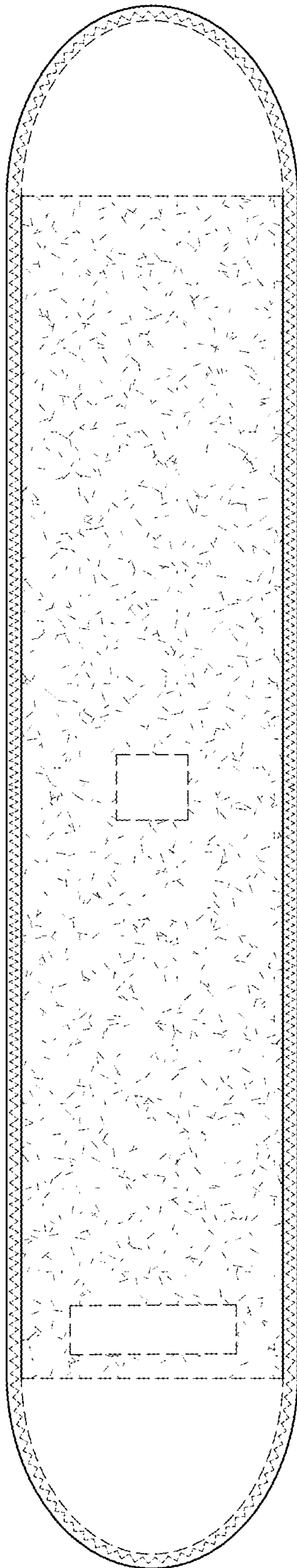


FIG. 10

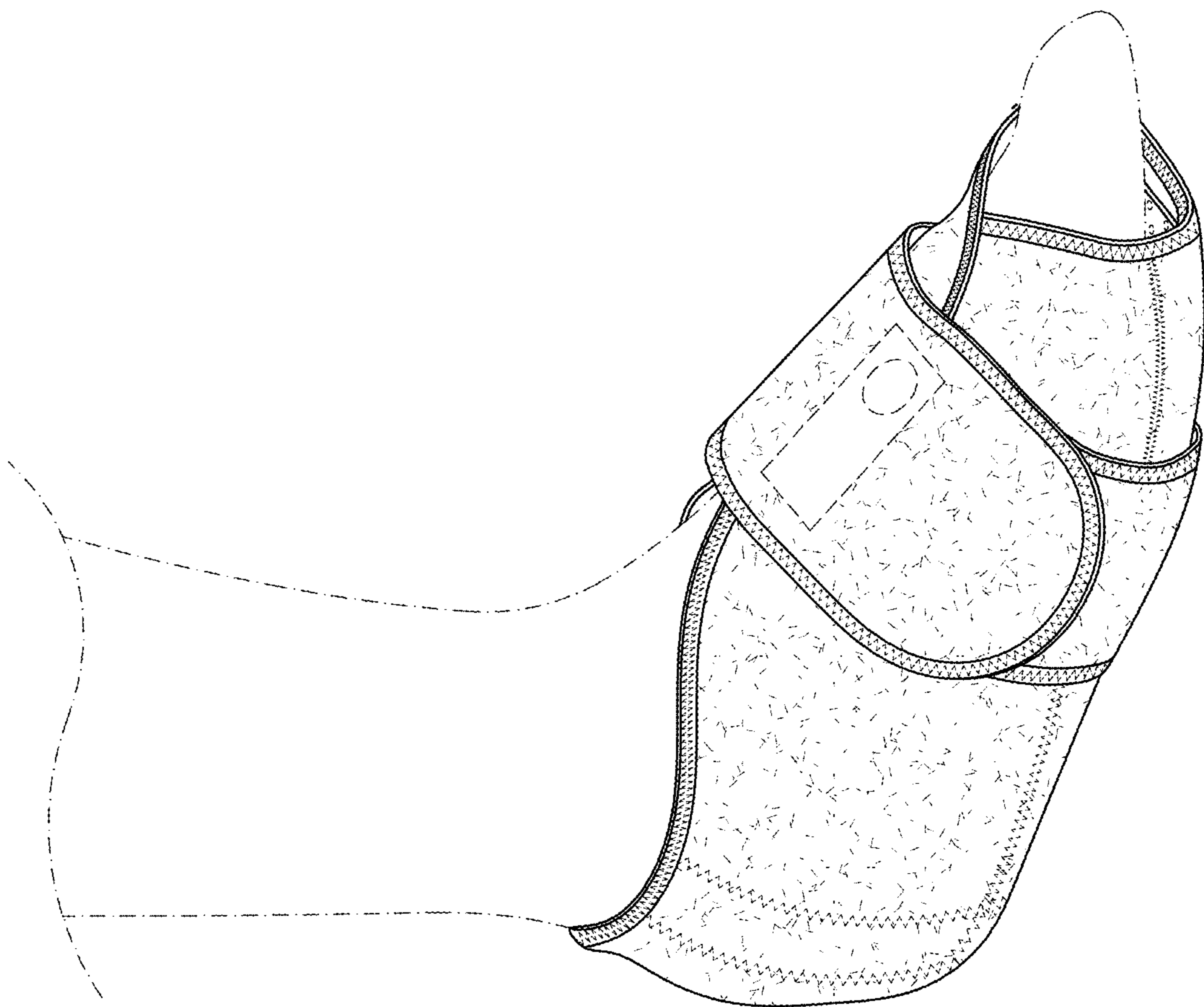


FIG. 11

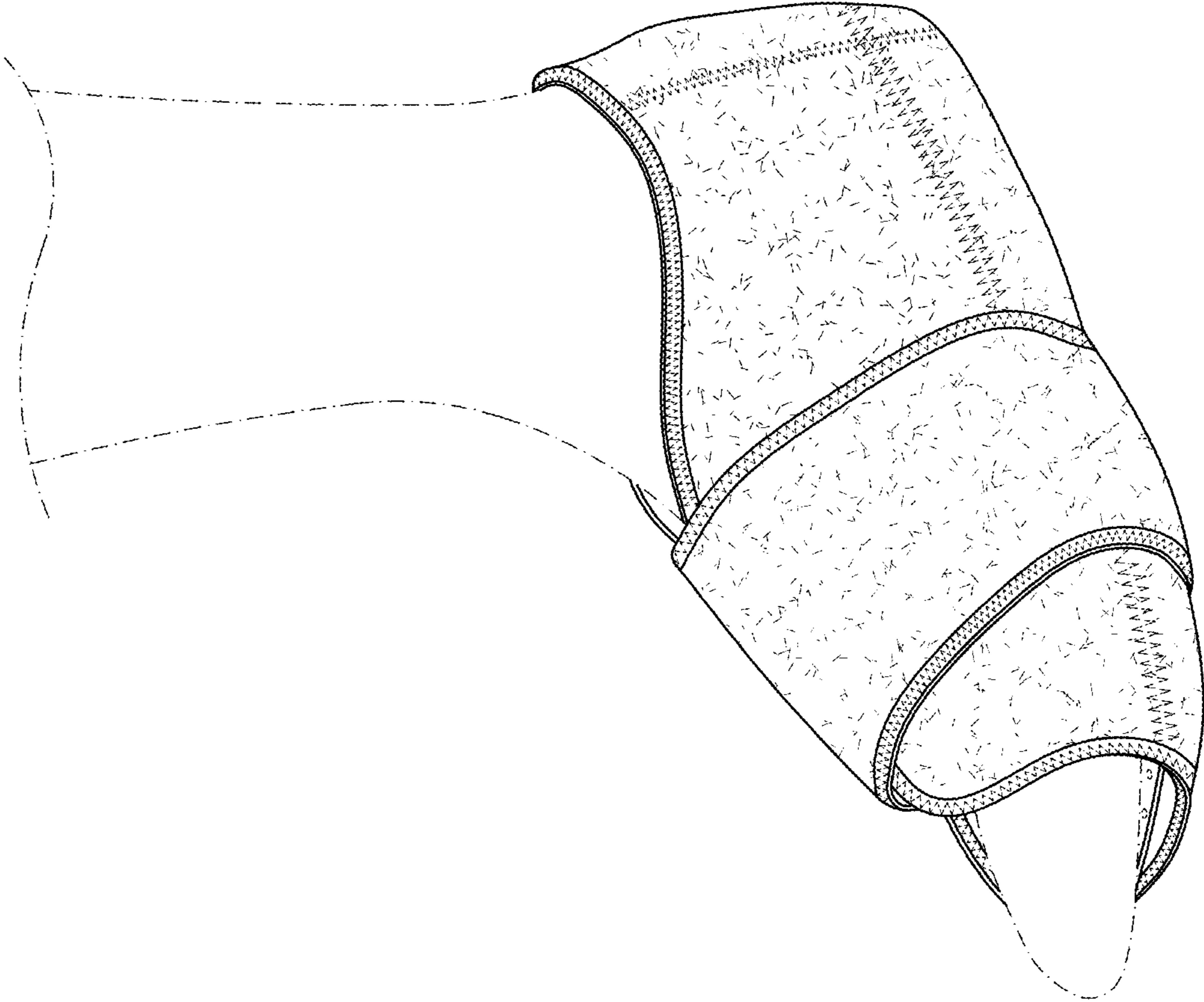


FIG. 12