

US00D973892S

(12) **United States Design Patent**
Karim

(10) **Patent No.:** **US D973,892 S**
(45) **Date of Patent:** **** Dec. 27, 2022**

(54) **SKIN TONING DEVICE**
(71) Applicant: **Covalent Group Inc.**, Lehi, UT (US)
(72) Inventor: **Imran Karim**, Frisco, TX (US)
(73) Assignee: **Covalent Group Inc.**, Lehi, UT (US)
(**) Term: **15 Years**
(21) Appl. No.: **29/781,097**
(22) Filed: **Apr. 28, 2021**
(51) **LOC (13) Cl.** **24-01**
(52) **U.S. Cl.**
USPC **D24/200; D24/215**
(58) **Field of Classification Search**
USPC D24/200, 214-215, 119; D32/40;
D28/7, 8, 76
CPC A61H 7/001; A61H 7/002; A61H 7/003;
A61H 7/005; A61H 15/0092; A61H
2015/0014; A61H 23/006; A61H 23/06;
A61H 2205/022; A61H 2205/024; A61H
2205/025; A61H 2201/0153; A61H
2201/1253; A61N 5/0616; A61N
2005/0644; A61N 2007/0034
See application file for complete search history.

6,312,397 B1 * 11/2001 Gebhard A61F 7/007
601/15
7,572,238 B2 * 8/2009 Rhoades A61H 7/005
601/138
D612,510 S * 3/2010 Byle D24/210
D726,926 S * 4/2015 Matsushita D24/200
D787,693 S * 5/2017 Matsushita D24/200
D939,833 S * 1/2022 Miller D24/214
2015/0150599 A1 * 6/2015 Matsushita A61N 1/325
604/20

* cited by examiner

Primary Examiner — Wan Laymon

(74) *Attorney, Agent, or Firm* — Winstead PC

(57) **CLAIM**

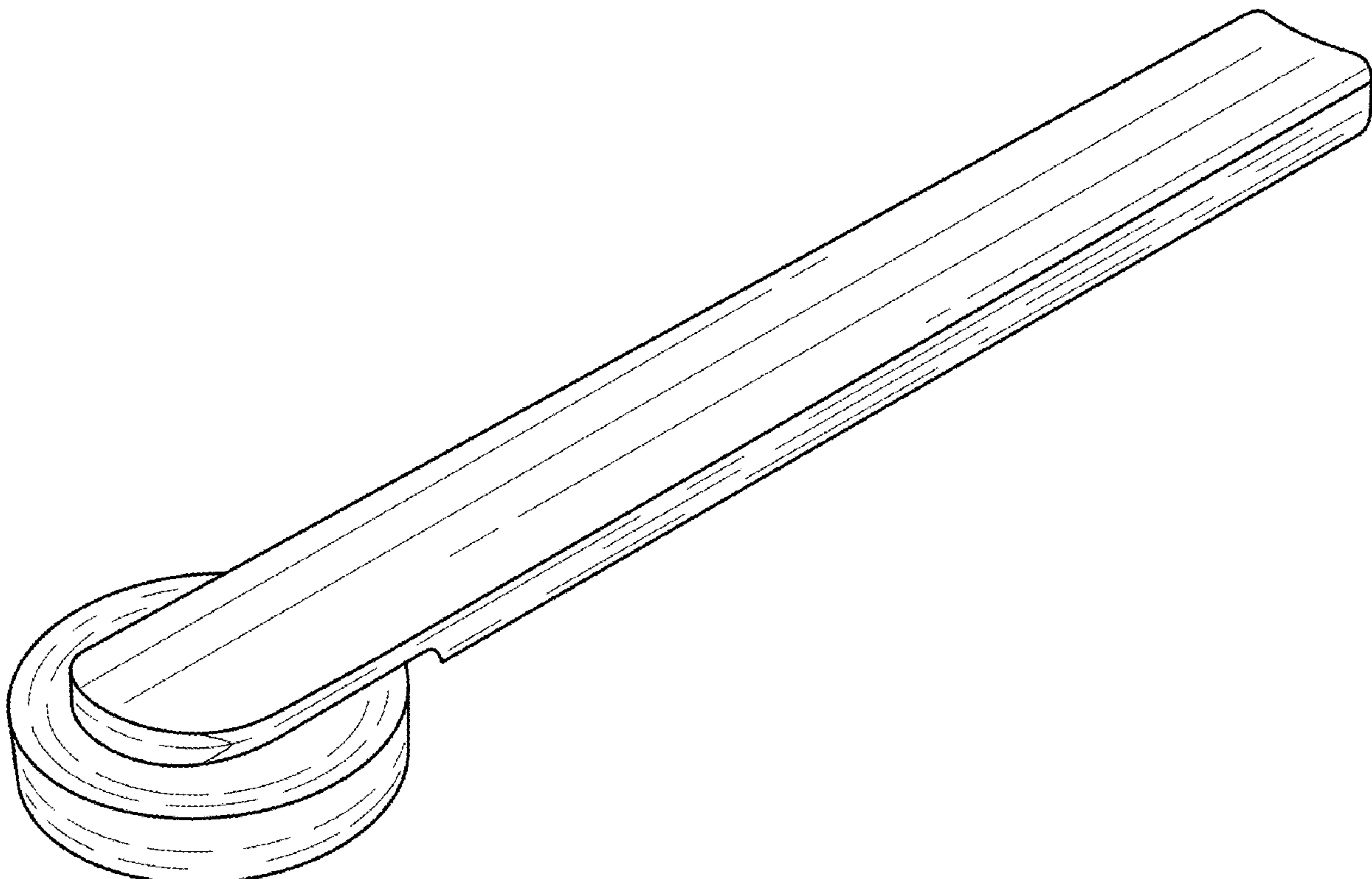
The ornamental design for a skin toning device, as shown and described.

DESCRIPTION

FIG. 1 is a perspective view of a skin toning device in accordance with the design;
FIG. 2 is a bottom plan view thereof;
FIG. 3 is a top plan view thereof;
FIG. 4 is a left side view thereof;
FIG. 5 is a right side view thereof;
FIG. 6 is a front view thereof; and,
FIG. 7 is a back view thereof.
Any broken lines present in the drawings form no part of the claimed design.

(56) **References Cited**
U.S. PATENT DOCUMENTS
D117,337 S * 10/1939 Schwarz D24/214
D394,108 S * 5/1998 Ebert D24/119

1 Claim, 6 Drawing Sheets



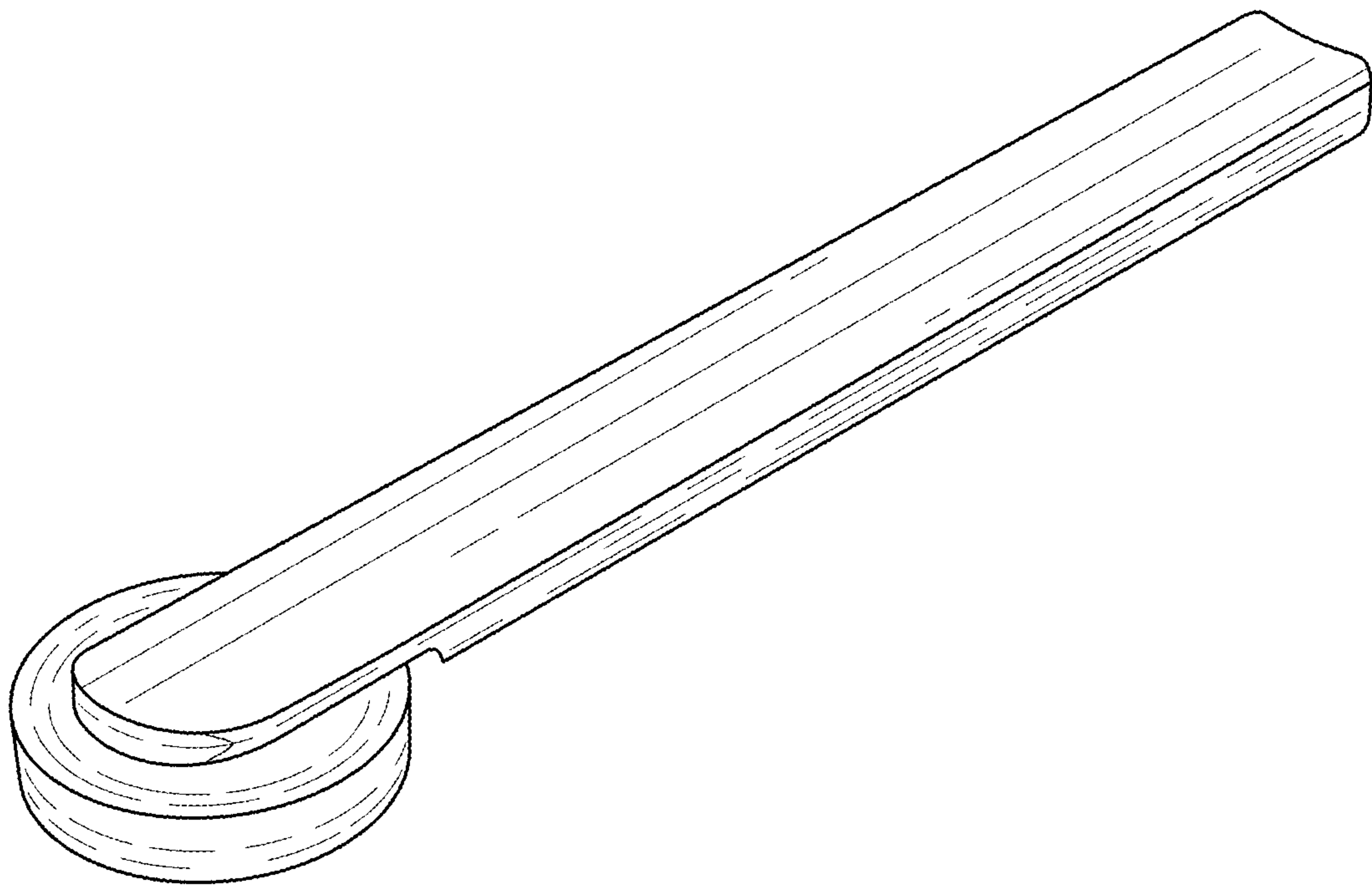


FIG. 1

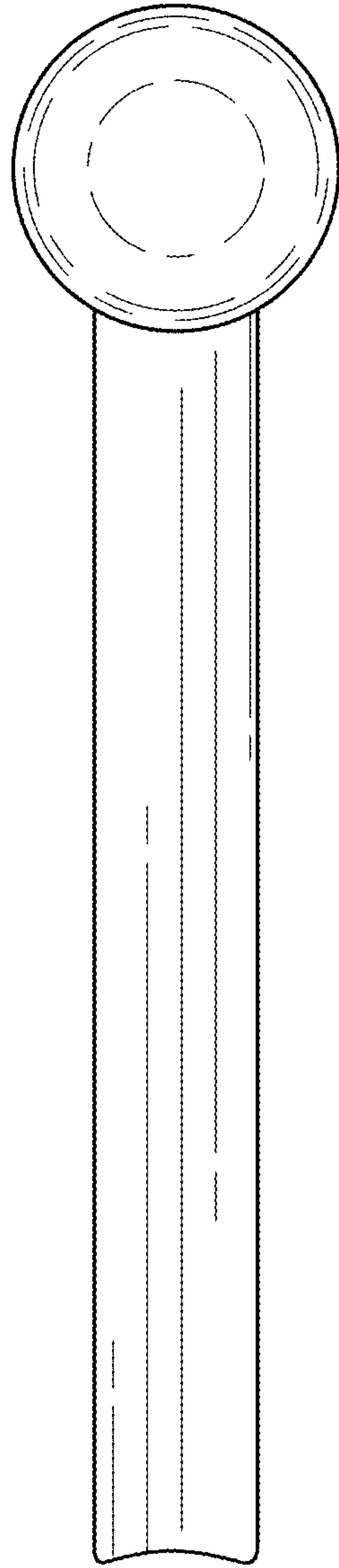


FIG. 2

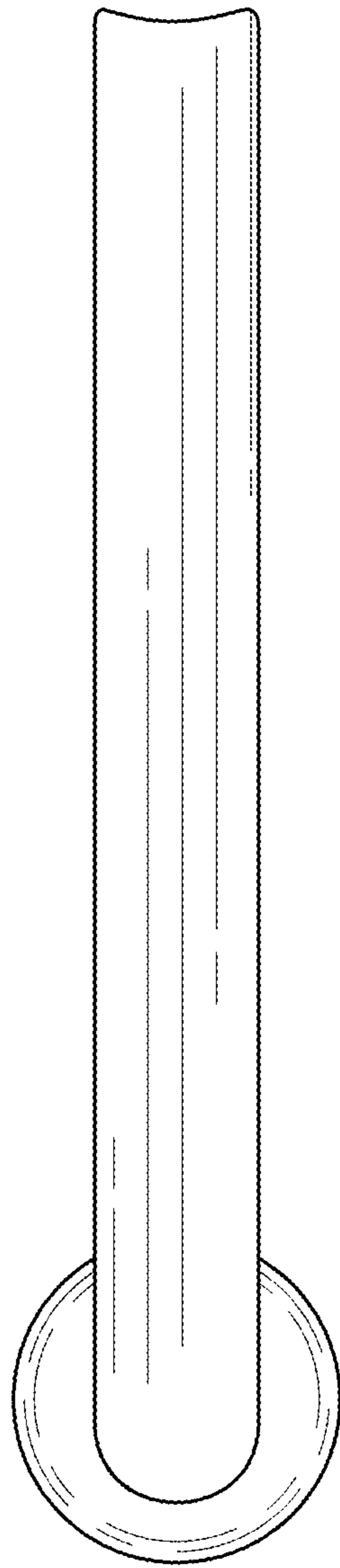


FIG. 3

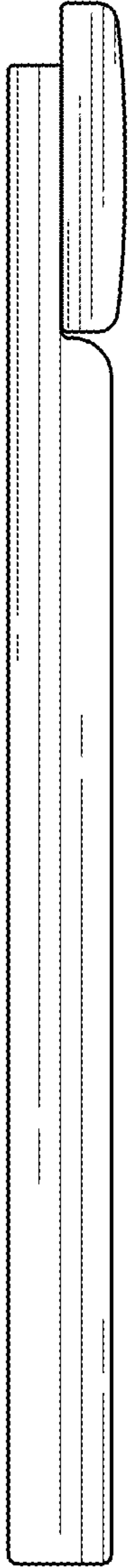


FIG. 4

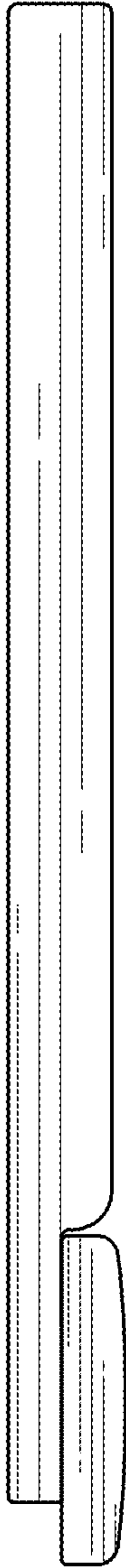


FIG. 5

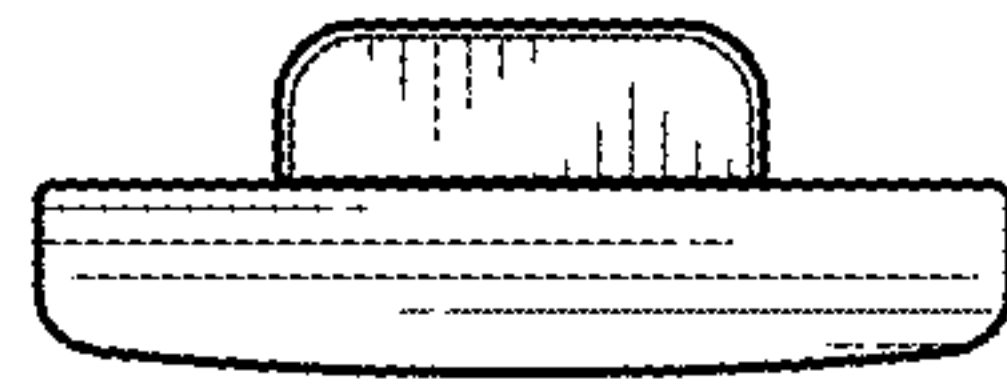


FIG. 6

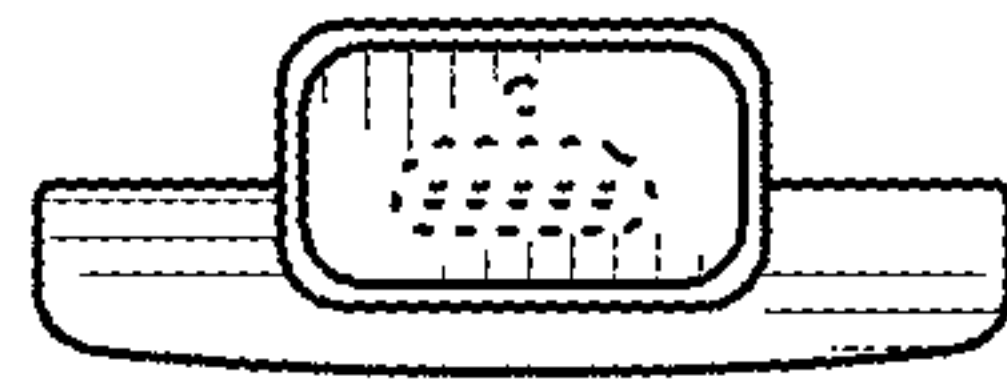


FIG. 7