



US00D973891S

(12) **United States Design Patent** (10) **Patent No.:** **US D973,891 S**
Wang (45) **Date of Patent:** **** Dec. 27, 2022**

(54) **TEETHING TOY**
(71) Applicant: **Tongfeng Wang**, Jingzhou (CN)
(72) Inventor: **Tongfeng Wang**, Jingzhou (CN)
(**) Term: **15 Years**
(21) Appl. No.: **29/830,243**
(22) Filed: **Mar. 10, 2022**
(51) **LOC (13) Cl.** **24-04**
(52) **U.S. Cl.**
USPC **D24/195**
(58) **Field of Classification Search**
USPC D24/193, 194, 195, 214; D30/160;
D1/104, 106, 107, 108, 110, 115, 116;
D4/104, 107; D29/113, 118, 123
CPC A61J 17/02; A61J 9/005; A46B 5/023;
A46B 15/0097
See application file for complete search history.

2006/0102099 A1* 5/2006 Edwards A01K 15/026
119/710
2014/0243895 A1* 8/2014 Kellogg A61J 17/02
606/235
2019/0059328 A1* 2/2019 Crane A01K 15/026

OTHER PUBLICATIONS

“Wujun: Teething Tools Set”. Found online Jul. 7, 2022 at amazon.co.uk. Reference dated Feb. 22, 2022. Retrieved from <https://www.amazon.co.uk/dp/B09TVM9M92/>.
“Jiawu: Teething Tools Set”. Found online Jul. 7, 2022 at amazon.com. Reference dated Mar. 3, 2022. Retrieved from <https://www.amazon.ca/dp/B09TV3RSJY/>.
“Soobe: Teething Tools Set”. Found online Jul. 7, 2022 at amazon.ca. Reference dated Mar. 4, 2022. Retrieved from <https://www.amazon.ca/dp/B09TWDM9J6/>.
“Drools of the Trade: Dad-Approved Teethers”. Found online Dec. 22, 2021 at facebook.com. Reference dated May 22, 2018; image supported by designer’s own site on Aug. 16, 2018. Retrieved from <https://www.facebook.com/Drools/photos/a.425365354542313/432069360538579/?type=3&theater>.

* cited by examiner

Primary Examiner — Kendra Leslie Hamilton

(56) **References Cited**

U.S. PATENT DOCUMENTS

3,736,696 A * 6/1973 Laird A63H 33/04
446/97
D277,589 S * 2/1985 Daugherty D21/532
D420,447 S * 2/2000 Rohrig D24/194
D453,401 S * 2/2002 Kaplan D21/406
D466,957 S * 12/2002 Visnick D21/532
D640,524 S * 6/2011 Huang D26/107
D721,439 S 1/2015 Swartz
D746,018 S * 12/2015 Axelrod D1/199
D755,983 S 5/2016 Huang
D870,826 S * 12/2019 Jiajia D21/615
D874,664 S * 2/2020 Lowsky D24/194
2003/0236556 A1* 12/2003 Dickerson A61J 17/02
606/235

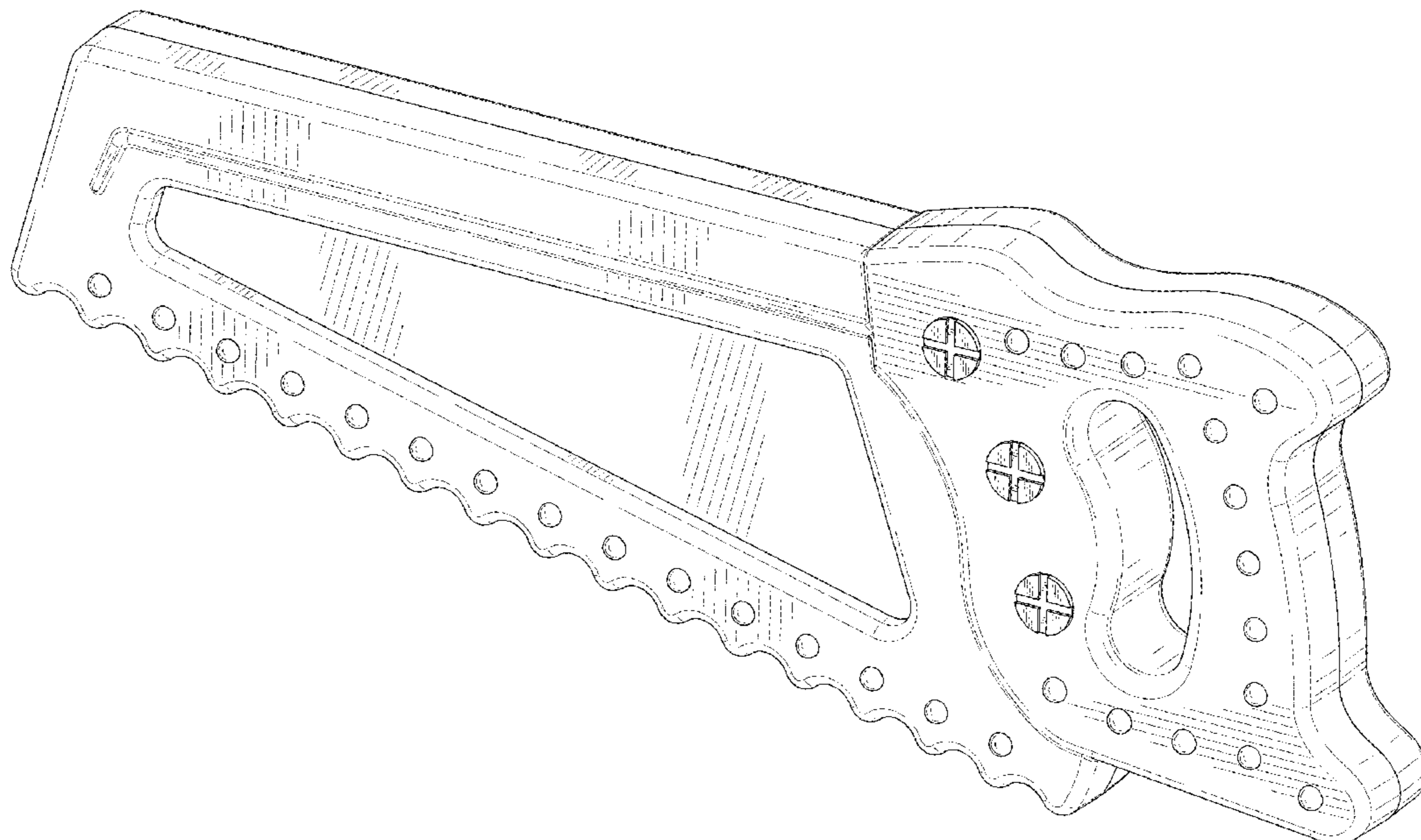
(57) **CLAIM**

The ornamental design for a teething toy, as shown and described.

DESCRIPTION

FIG. 1 is a perspective view of a teething toy showing my new design;
FIG. 2 is another perspective view thereof;
FIG. 3 is a front elevational view thereof;
FIG. 4 is a rear elevational view thereof;
FIG. 5 is a left side elevational view thereof;
FIG. 6 is a right side elevational view thereof;
FIG. 7 is a top plan view thereof; and,
FIG. 8 is a bottom plan view thereof.

1 Claim, 8 Drawing Sheets



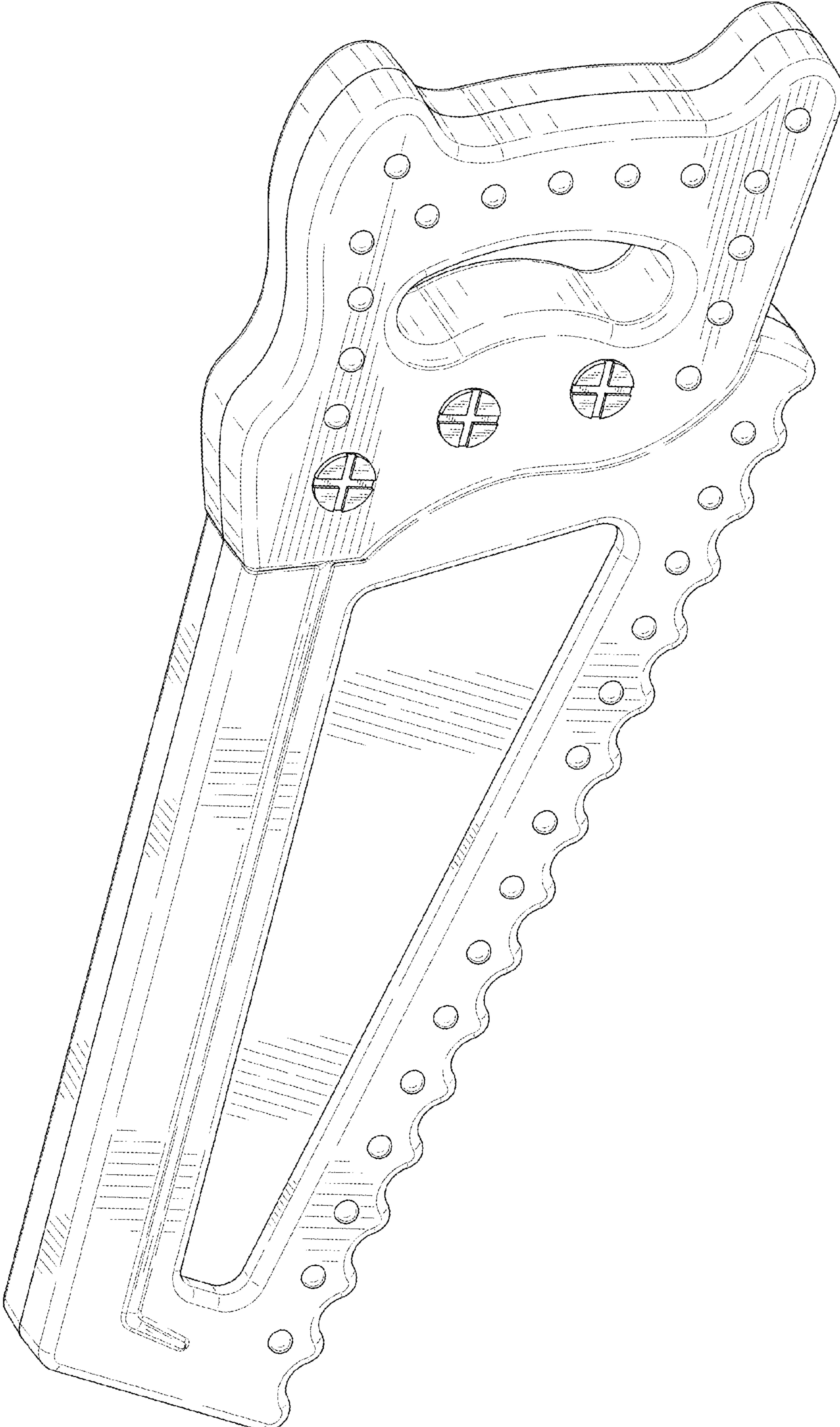


FIG. 1

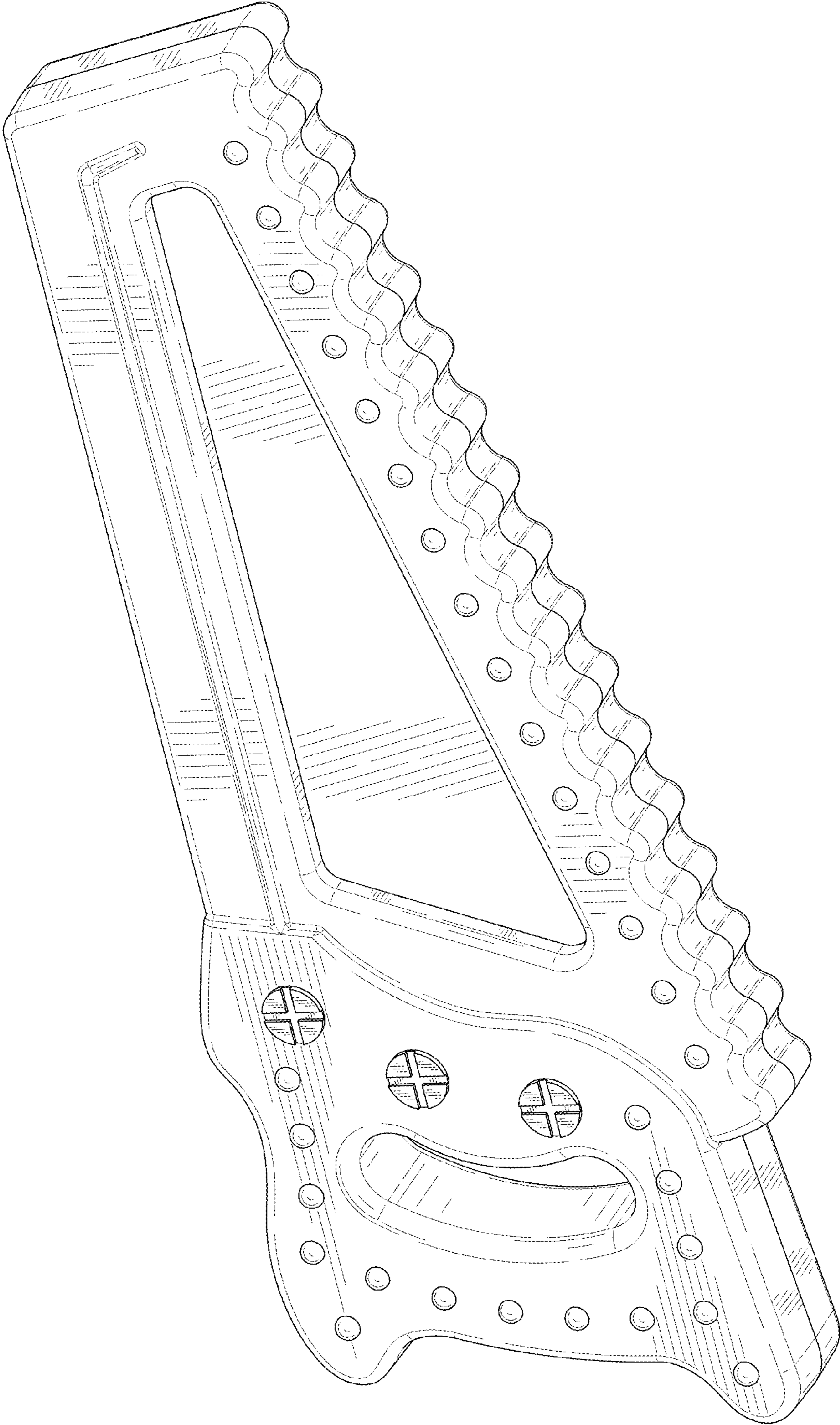


FIG. 2

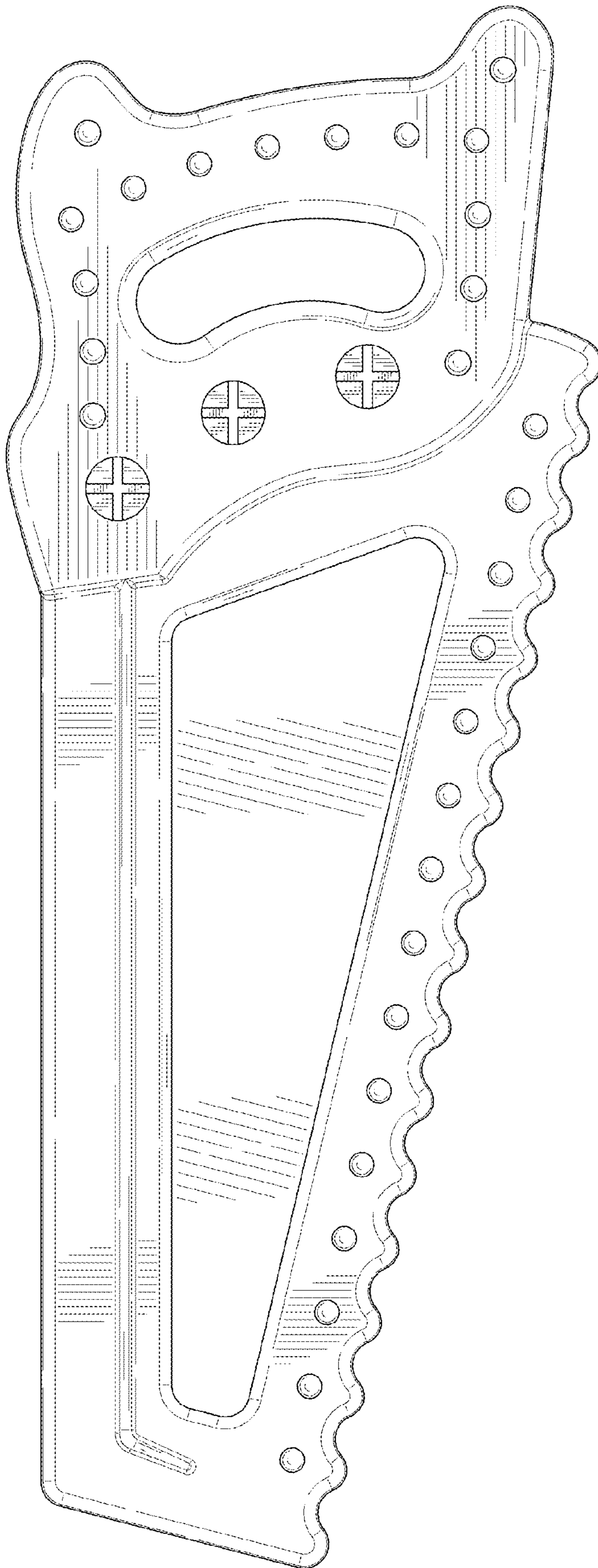


FIG. 3

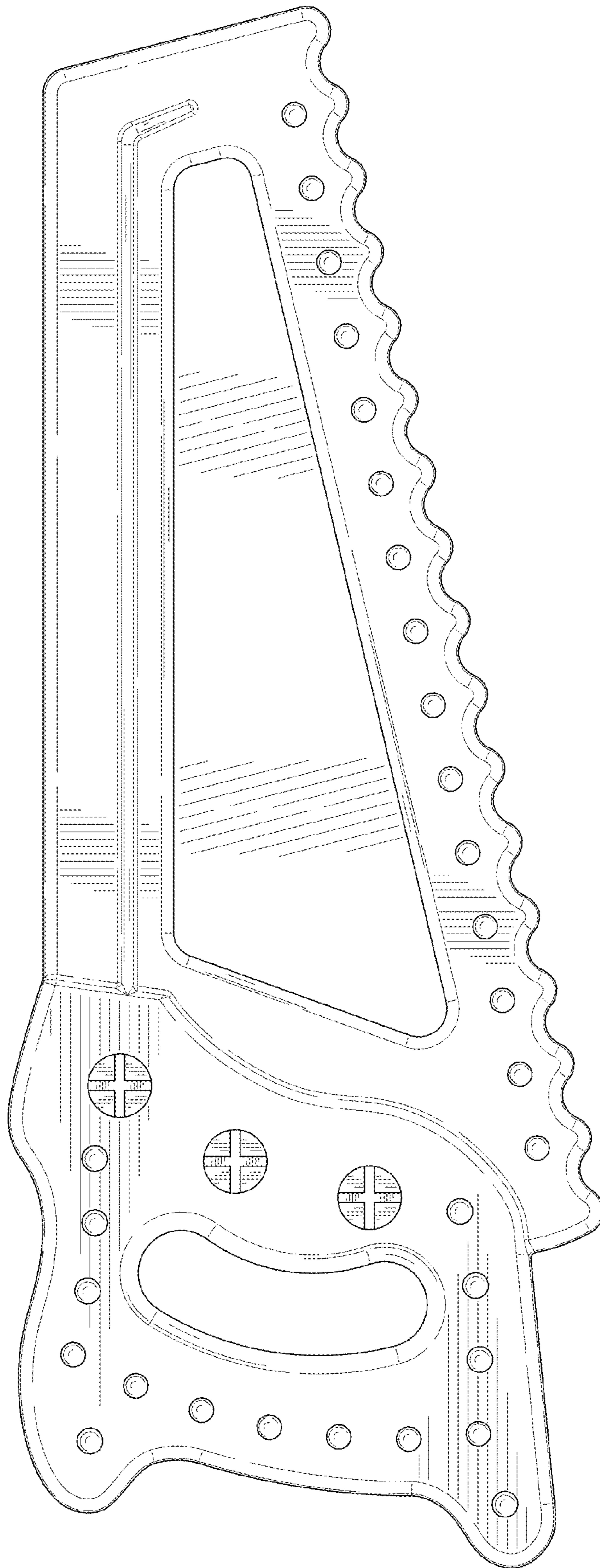


FIG. 4

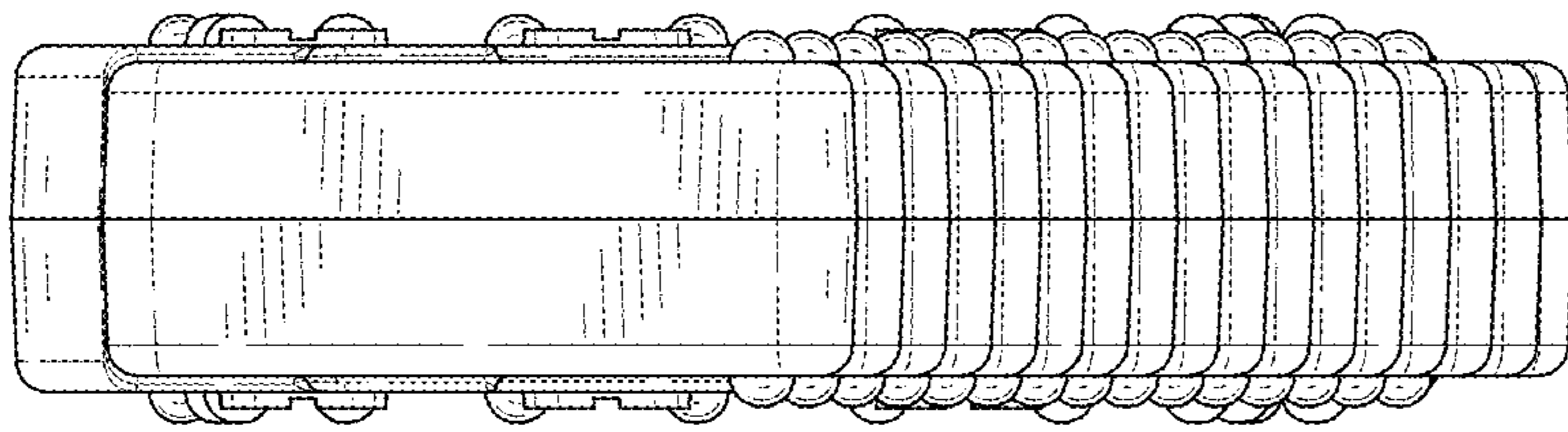


FIG. 5

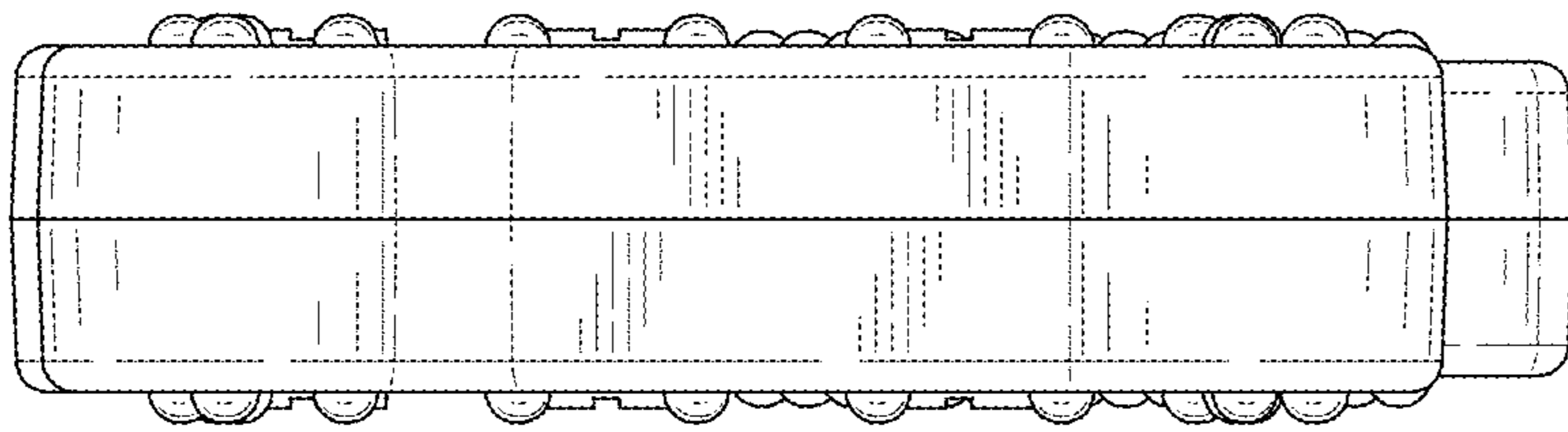


FIG. 6

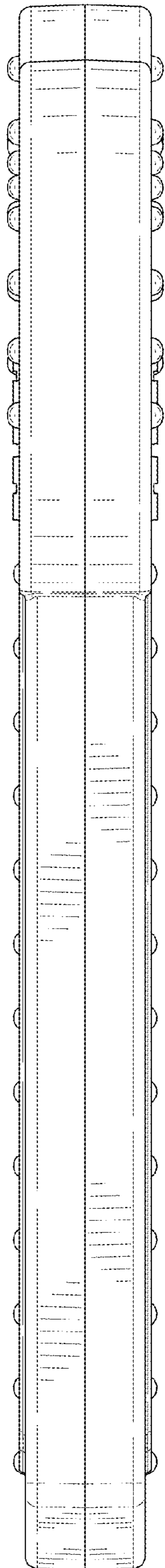


FIG. 7

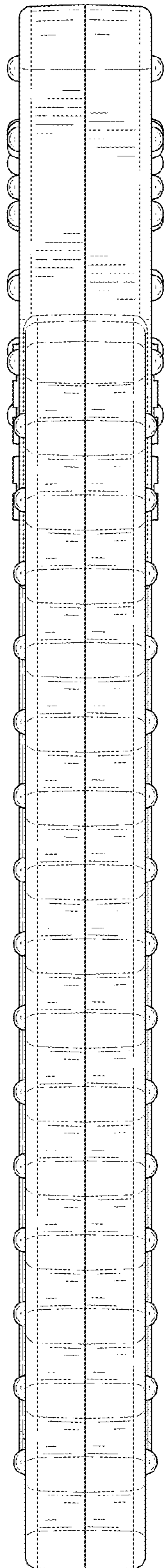


FIG. 8