



US00D973888S

(12) **United States Design Patent**
Radeloff

(10) **Patent No.:** **US D973,888 S**

(45) **Date of Patent:** **** Dec. 27, 2022**

(54) **PRESSURE RELIEVING INTRAVENOUS DRESSING**

(71) Applicant: **Taylor Radeloff**, Sparta, NY (US)

(72) Inventor: **Taylor Radeloff**, Sparta, NY (US)

(**) Term: **15 Years**

(21) Appl. No.: **29/788,152**

(22) Filed: **Mar. 30, 2021**

(51) **LOC (13) Cl.** **24-02**

(52) **U.S. Cl.**
USPC **D24/189**

(58) **Field of Classification Search**
USPC D24/124-126, 189-192, 132, 188, 199,
D24/200, 206, 209, 210; D29/100, 108,
D29/121.1, 121.2
CPC A61F 13/023; A61F 15/008; A61F 15/004;
A61F 2013/00646; A61M 2025/0246

See application file for complete search history.

(56) **References Cited**

U.S. PATENT DOCUMENTS

- 4,743,232 A * 5/1988 Kruger A61F 13/023
604/304
- D383,544 S * 9/1997 Heckathorn D24/189
- D408,541 S * 4/1999 Dunshee D24/189
- D409,754 S * 5/1999 Dunshee D24/189
- 5,968,000 A * 10/1999 Harrison A61M 25/02
602/56
- 5,998,694 A * 12/1999 Jensen A61F 13/023
602/56
- D430,674 S * 9/2000 Dunshee D24/189
- 6,316,686 B1 * 11/2001 Byrd A61F 13/023
602/44
- D454,955 S * 3/2002 Dunshee D24/189
- D474,842 S * 5/2003 Wolsing D24/189
- 6,685,682 B1 * 2/2004 Heinecke A61F 13/0276
602/41
- D557,424 S * 12/2007 Knight D24/189
- D578,651 S * 10/2008 Dunshee D24/189

- D601,707 S * 10/2009 Chouiller D24/189
- D625,018 S * 10/2010 Smith D24/189
- D679,402 S * 4/2013 Conrad-Vlasak D24/189
- D679,403 S * 4/2013 Heinecke D24/189
- D688,377 S * 8/2013 Heinecke D24/189
- D690,425 S * 9/2013 Heinecke D24/189
- D723,175 S * 2/2015 Igwebuike D24/189
- D723,703 S * 3/2015 Igwebuike D24/189

(Continued)

OTHER PUBLICATIONS

Tegaderm Film 1683, [site visited May 3, 2022]. Available from Internet. URL: <https://www.youtube.com/watch?v=vqRRA15eCUc> (Year: 2016).*

Primary Examiner — T Chase Nelson
Assistant Examiner — Kelly L Gross
(74) *Attorney, Agent, or Firm* — Dunlap Bennett & Ludwig, PLLC; Anna L. Kinney

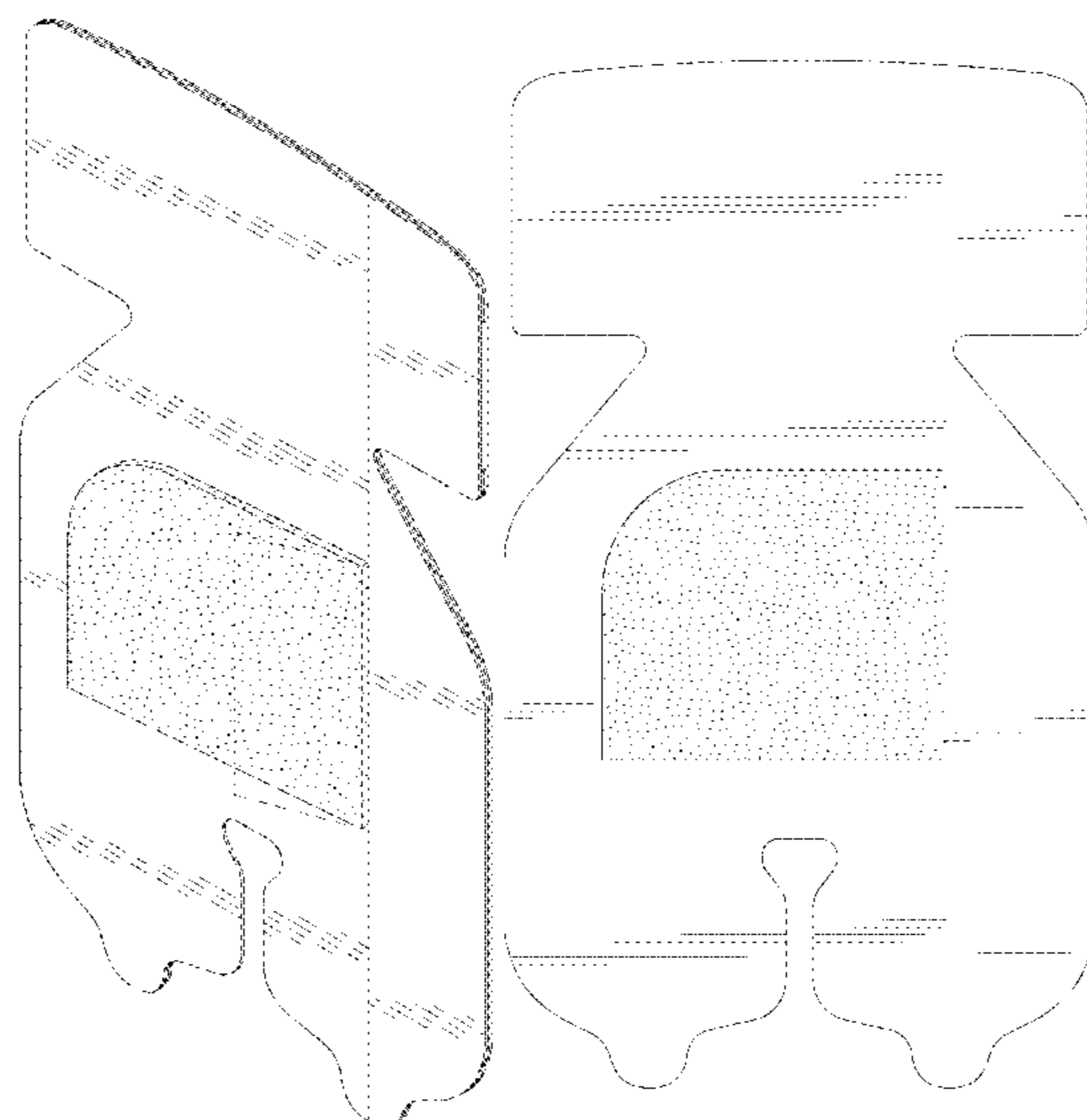
(57) **CLAIM**

The ornamental design for a pressure relieving intravenous dressing, as shown and described.

DESCRIPTION

FIG. 1 is a top front perspective view of a pressure relieving intravenous dressing, showing my new design; FIG. 2 is a front elevation view thereof; FIG. 3 is a rear elevation view thereof; FIG. 4 is a right side elevation view thereof; FIG. 5 is a left side elevation view thereof; FIG. 6 is a top plan view thereof; FIG. 7 is a bottom plan view thereof; and, FIG. 8 is a top front perspective exploded view thereof. The broken lines shown in the drawings depict portions of the pressure relieving intravenous dressing that form no part of the claimed design. The broken lines in FIG. 8 are for the purpose of depicting the order of assembly, and form no part of the claimed design.

1 Claim, 5 Drawing Sheets



(56)

References Cited

U.S. PATENT DOCUMENTS

D743,564 S *	11/2015	Wathne	D24/189	2007/0060892 A1 *	3/2007	Propp	A61M 25/02
D770,053 S *	10/2016	Wathne	D24/189					604/180
D787,688 S *	5/2017	Stephenson	D24/189	2007/0106195 A1 *	5/2007	Marcoux	A61F 13/0203
D808,024 S *	1/2018	Moore	D24/189					602/57
D808,025 S *	1/2018	Moore	D24/189	2008/0132821 A1 *	6/2008	Propp	A61M 25/02
D808,026 S *	1/2018	Moore	D24/189					602/42
D821,589 S *	6/2018	Sakotic	D24/189	2009/0234306 A1 *	9/2009	Vitaris	A61F 13/0206
D834,201 S *	11/2018	Heinecke	D24/189					604/304
D840,544 S *	2/2019	Östan	D24/189	2010/0294286 A1 *	11/2010	Bellamy	A61M 25/02
D843,588 S *	3/2019	Slowey	D24/189					128/887
D852,368 S *	6/2019	Ricks	D24/189	2013/0150796 A1 *	6/2013	Souza	A61M 25/02
D875,953 S *	2/2020	Wang	D24/189					604/180
D879,979 S *	3/2020	Östan	D24/189	2014/0005607 A1 *	1/2014	Elsamahy	A61F 13/023
D921,205 S *	6/2021	Borisov	D24/189					604/180
D927,703 S *	8/2021	Toth	D24/189	2014/0257242 A1 *	9/2014	Sung	A61M 25/02
D931,470 S *	9/2021	Toth	D24/189					156/289
D931,472 S *	9/2021	Toth	D24/189	2015/0367102 A1 *	12/2015	Andino	A61M 25/02
D945,628 S *	3/2022	Östan	D24/189					604/179
D948,730 S *	4/2022	Hitschmann	D24/188	2016/0015570 A1 *	1/2016	Heinecke	A61F 13/0236
D952,162 S *	5/2022	Hitschmann	D24/189					602/58
D952,163 S *	5/2022	Nielsen	D24/189	2017/0143553 A1 *	5/2017	Bogue	A61F 13/00059
2002/0169405 A1 *	11/2002	Roberts	A61F 13/0226	2017/0368302 A1 *	12/2017	Brooks	A61M 25/002
				602/56	2018/0161116 A1 *	6/2018	Blake	A61B 46/23
2004/0204685 A1 *	10/2004	Wright	A61M 5/32	2019/0053868 A1 *	2/2019	Blake	A61M 25/02
				604/174	2019/0083752 A1 *	3/2019	Howell	A61F 13/00085
2006/0058721 A1 *	3/2006	Lebner	A61F 13/023	2019/0134352 A1 *	5/2019	Wilborn	A61M 25/02
				602/41	2021/0038249 A1 *	2/2021	Bendtsen	A61F 13/023
					2021/0393203 A1 *	12/2021	Heinecke	A61B 5/6833
					2022/0218950 A1 *	7/2022	Vozza	A61M 5/14

* cited by examiner

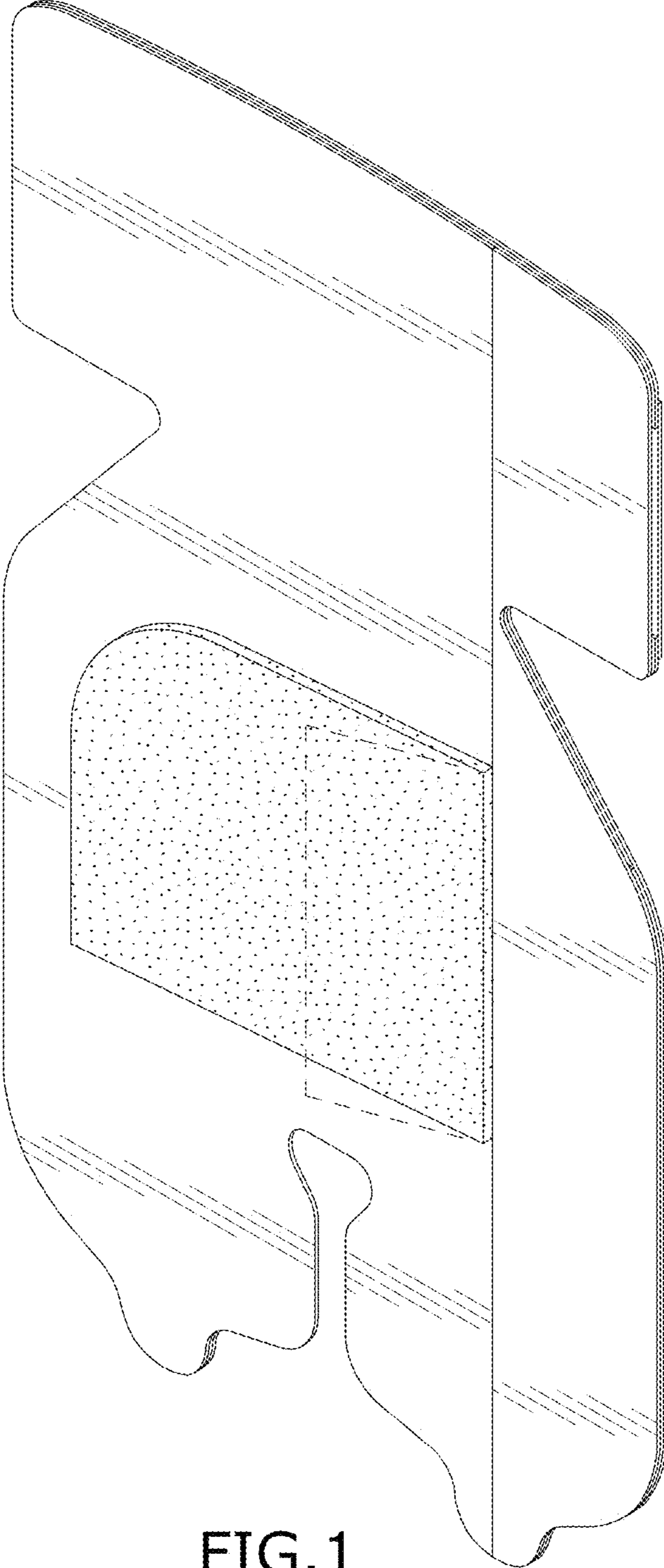


FIG. 1

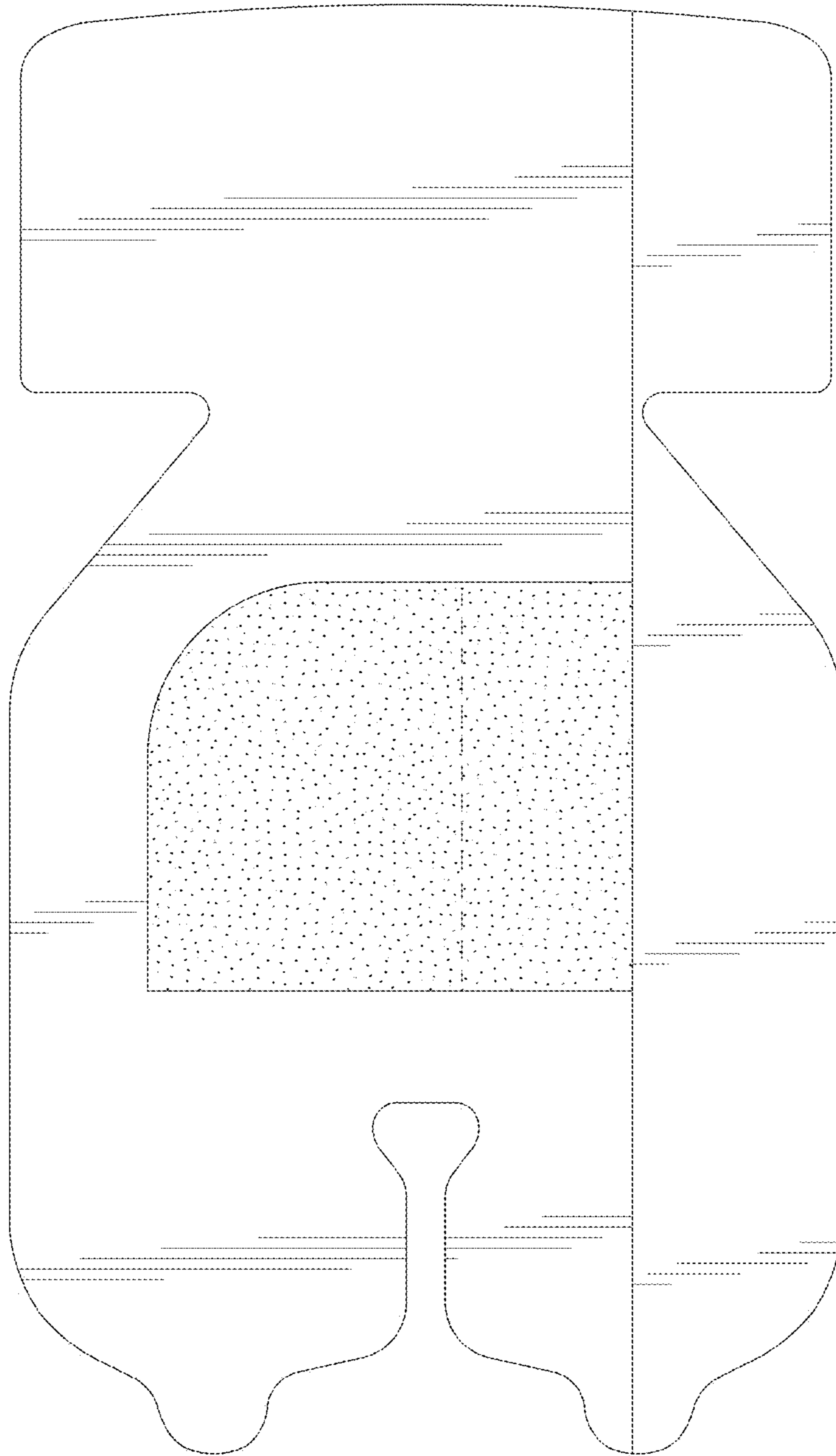


FIG. 2

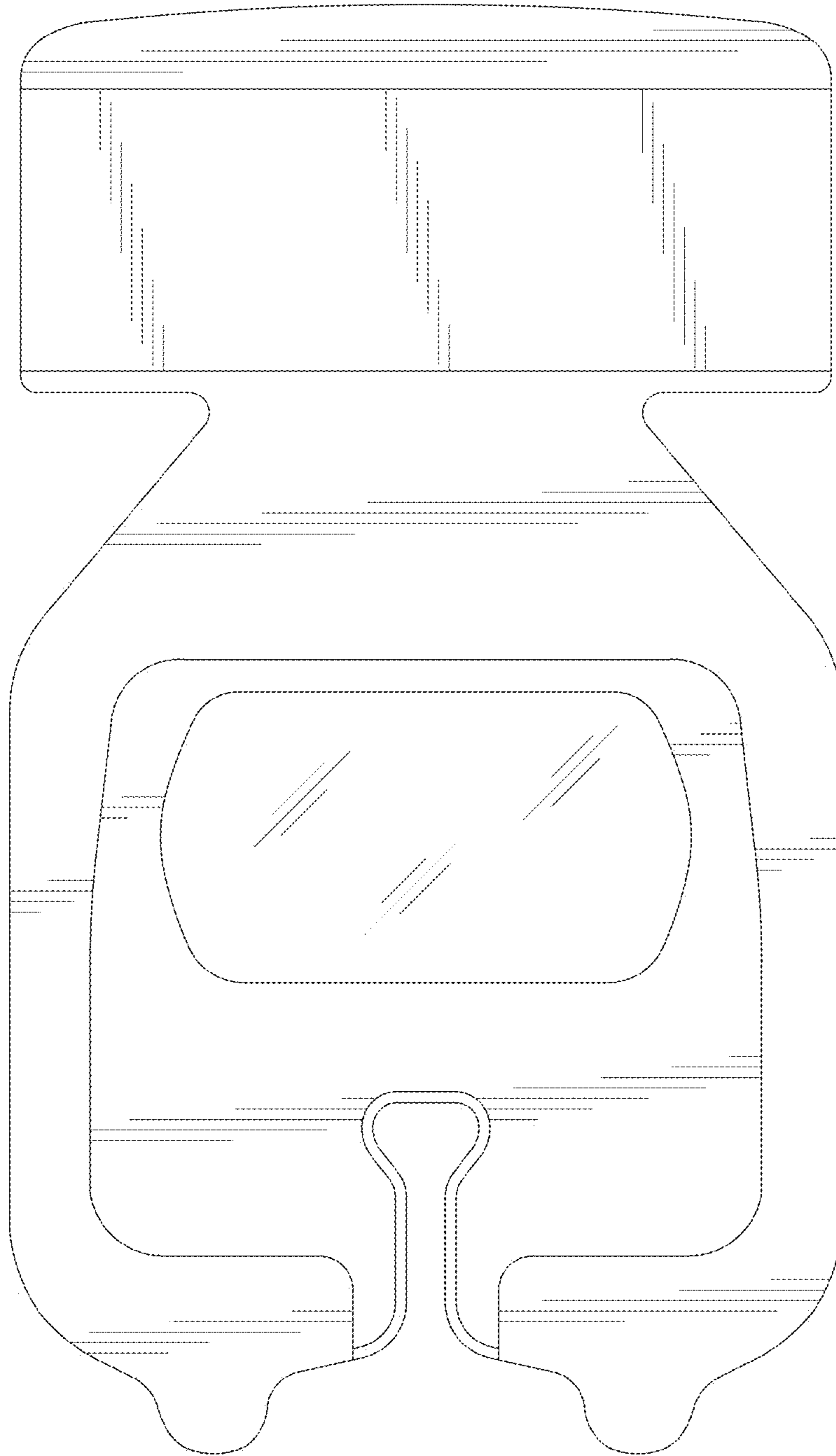


FIG. 3

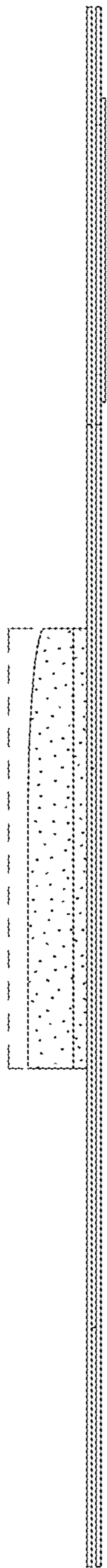


FIG. 4

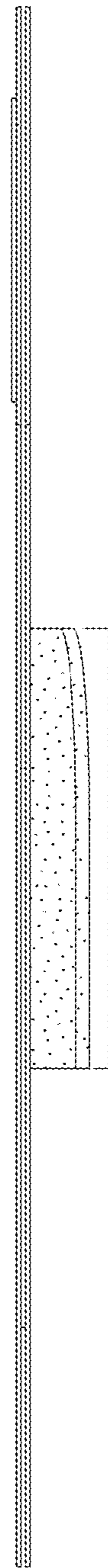


FIG. 5

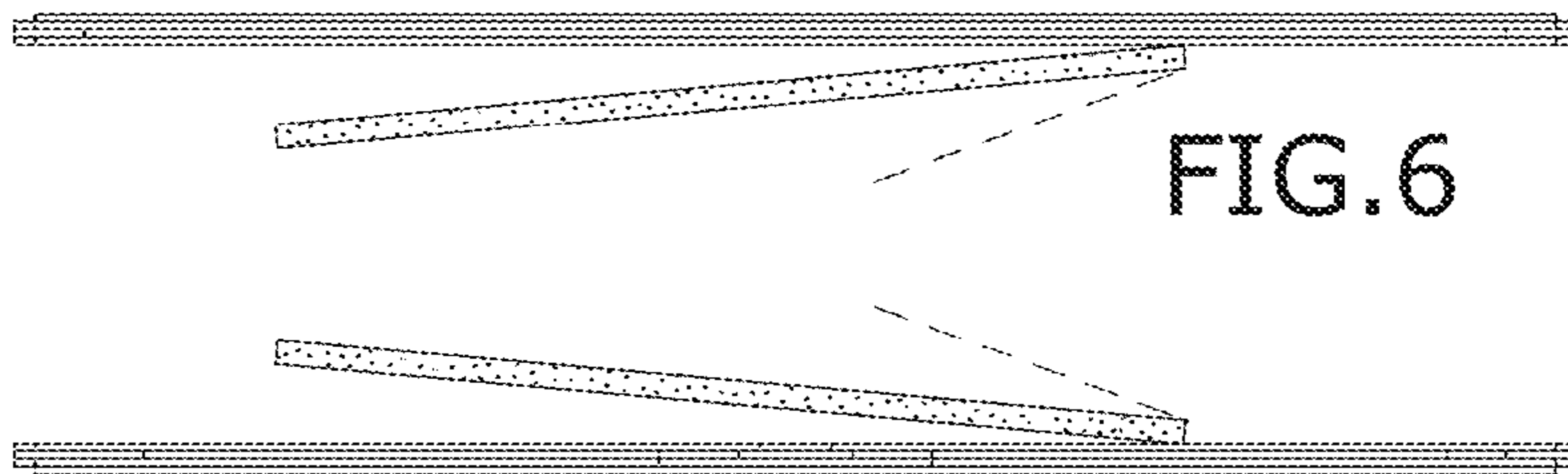


FIG. 6

FIG. 7

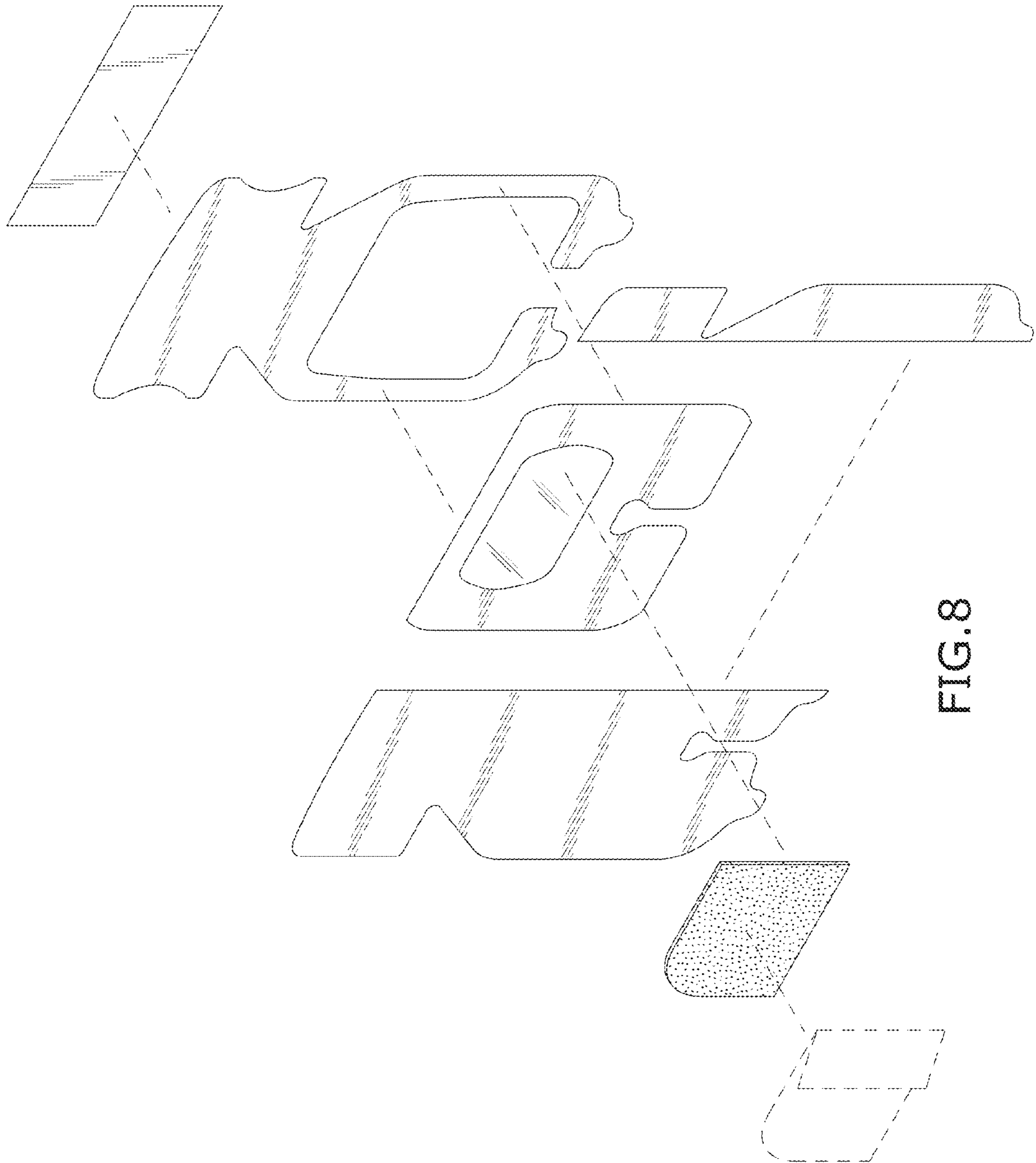


FIG.8