



US00D973887S

(12) **United States Design Patent**
Rohde, II et al.

(10) **Patent No.:** **US D973,887 S**

(45) **Date of Patent:** **** Dec. 27, 2022**

(54) **ORAL-MOTOR PHARYNGEAL MUSCLE EXERCISER**

(71) Applicants: **Carl Edgar Rohde, II**, Litchfield, CT (US); **Norma Kalil**, Stamford, CT (US); **John B. Lee, Jr.**, Ridgefield, CT (US)

(72) Inventors: **Carl Edgar Rohde, II**, Litchfield, CT (US); **Norma Kalil**, Stamford, CT (US); **John B. Lee, Jr.**, Ridgefield, CT (US)

(73) Assignee: **PROBLEM SOLVER TECHNOLOGIES, LLC**, Stamford, CT (US)

(**) Term: **15 Years**

(21) Appl. No.: **29/724,181**

(22) Filed: **Feb. 13, 2020**

(51) **LOC (13) Cl.** **24-02**

(52) **U.S. Cl.**
USPC **D24/188**; D24/110.5; D24/176; D21/662

(58) **Field of Classification Search**
USPC D24/110, 112, 110.5, 108, 124, 125, 145, D24/151, 180, 181, 187, 188, 189; D21/662, 683, 686
See application file for complete search history.

(56) **References Cited**

U.S. PATENT DOCUMENTS

3,742,943	A	*	7/1973	Malmin	A61F 5/08
						606/204.45
D321,267	S	*	10/1991	Dreyfus	D24/110.5
D399,950	S	*	10/1998	Shepard	D24/110.5
D403,381	S	*	12/1998	Hanna	D21/662
D528,655	S	*	9/2006	Clawson	D24/110.5

D542,408	S	*	5/2007	Oldenburg	D24/110.6
D648,813	S	*	11/2011	Dedvukaj	D21/692
D722,347	S	*	2/2015	Matsushita	D21/662
9,272,133	B1	*	3/2016	Fisk	A61N 1/36014
D765,831	S	*	9/2016	Li	D24/110.5
D808,022	S	*	1/2018	Ingemarsson-Matzen	D24/188
D889,665	S	*	7/2020	Farrell	D24/176
D890,930	S	*	7/2020	Farrell	D29/108

(Continued)

Primary Examiner — Jennifer L Watkins

(74) *Attorney, Agent, or Firm* — Buckley, Maschoff & Talwalkar LLC

(57) **CLAIM**

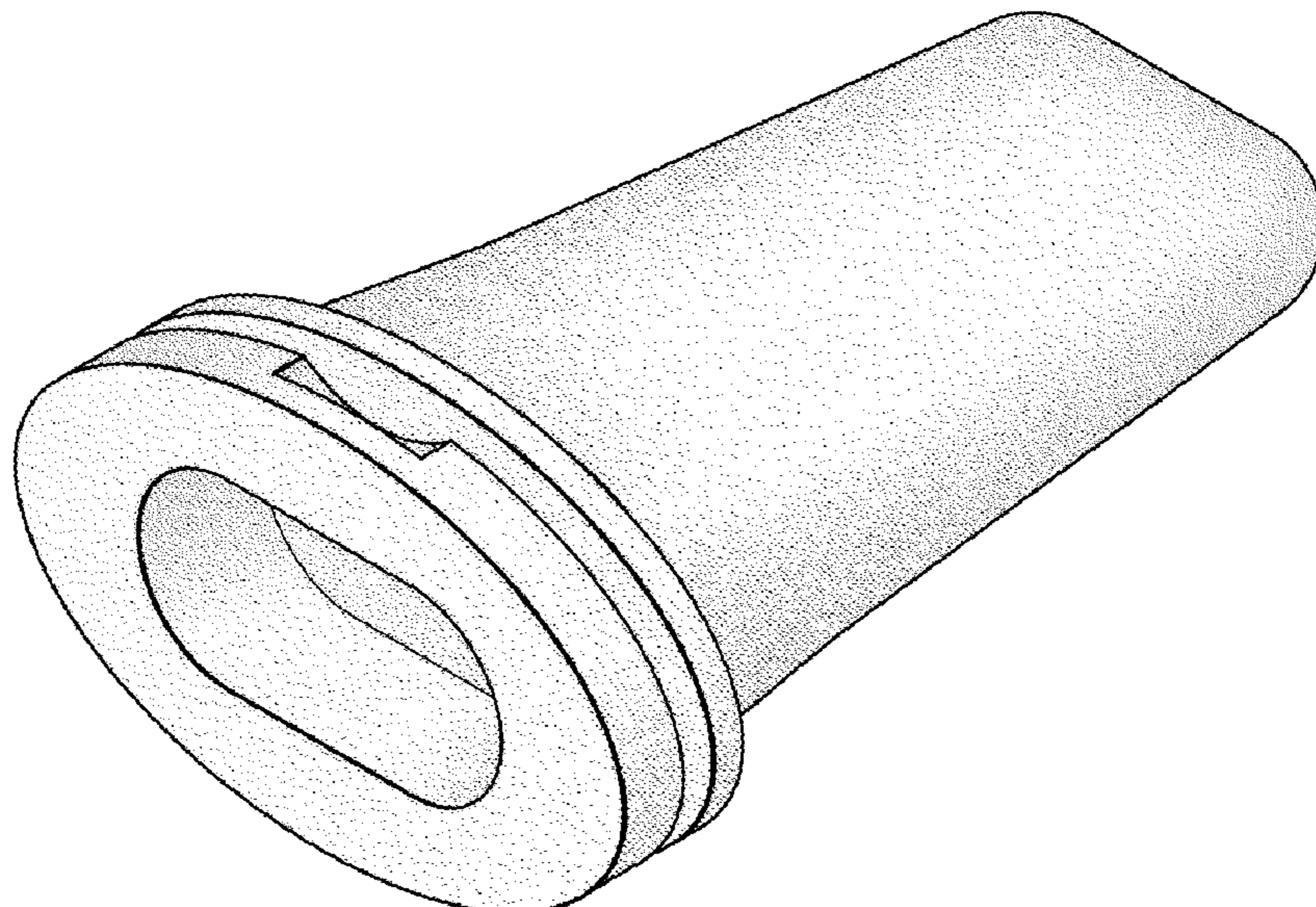
The ornamental design for an oral-motor pharyngeal muscle exerciser, as shown and described.

DESCRIPTION

FIG. 1 is a top perspective view of an oral-motor pharyngeal muscle exerciser in accordance with the present design; FIG. 2 is a bottom perspective view of the oral-motor pharyngeal muscle exerciser; FIG. 3 is a front view of the oral-motor pharyngeal muscle exerciser; FIG. 4 is a rear view of the oral-motor pharyngeal muscle exerciser; FIG. 5 is a first side view of the oral-motor pharyngeal muscle exerciser taken ninety degrees from the front view; FIG. 6 is a second side view of the oral-motor pharyngeal muscle exerciser taken one hundred and eighty degrees from the first side view; FIG. 7 is a top view of the oral-motor pharyngeal muscle exerciser; and, FIG. 8 is a bottom view of the oral-motor pharyngeal muscle exerciser.

Any broken lines in the drawings represent portions of the oral-motor pharyngeal muscle exerciser that form no part of the claimed design.

1 Claim, 4 Drawing Sheets



(56)

References Cited

U.S. PATENT DOCUMENTS

D908,223 S * 1/2021 Pai D24/176
D954,962 S * 6/2022 Hwang D24/176

* cited by examiner

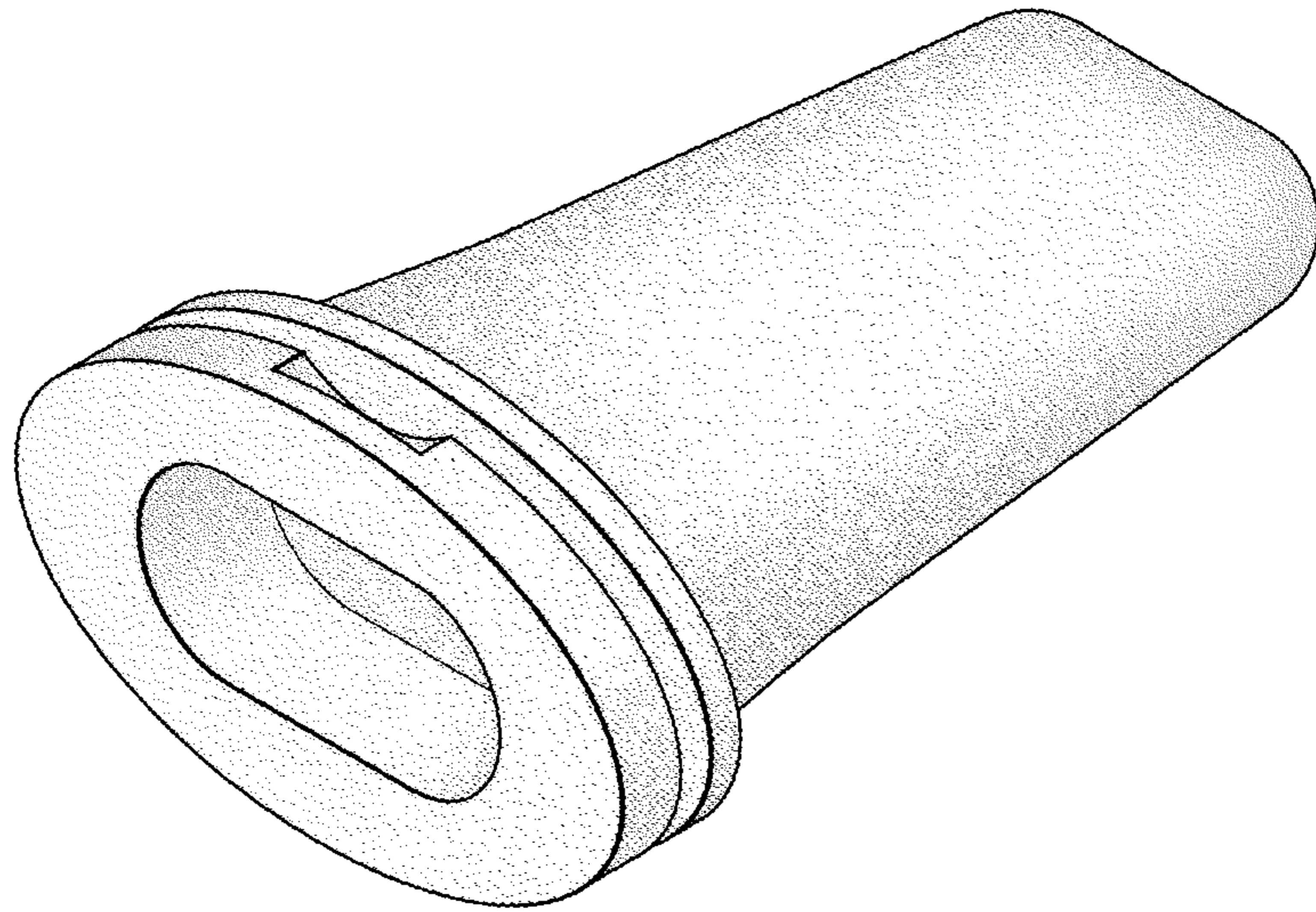


FIG. 1

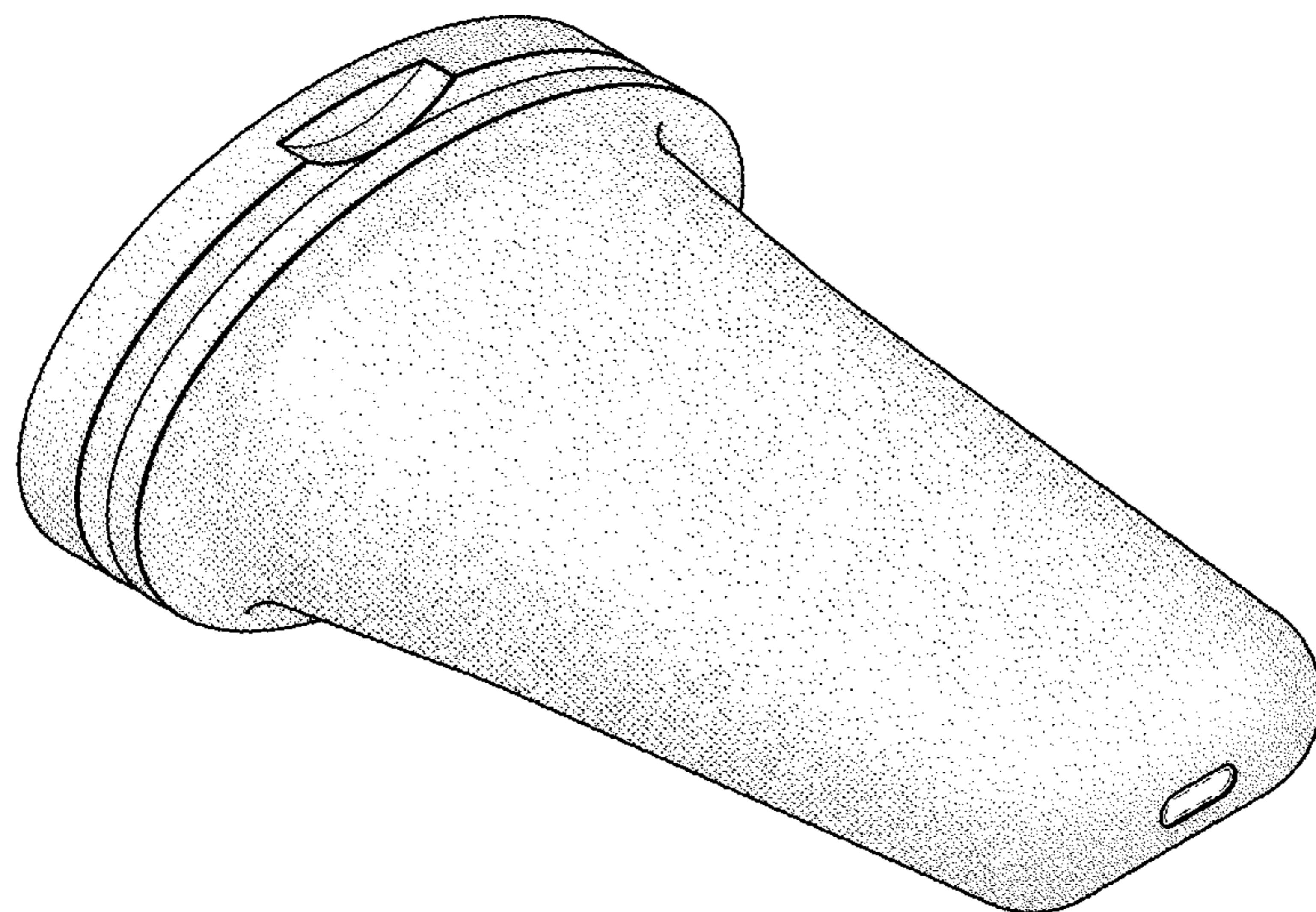


FIG. 2

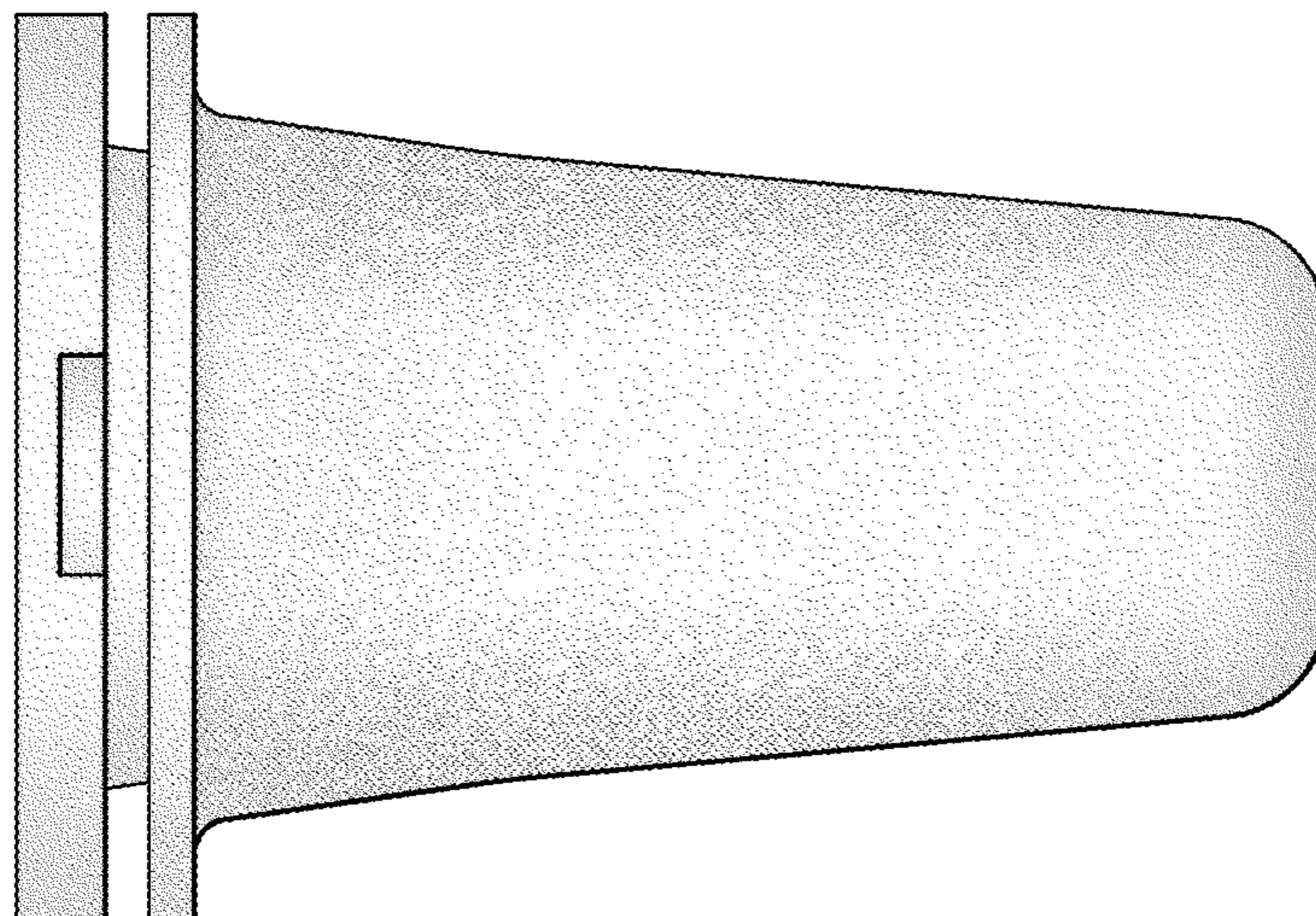


FIG. 3

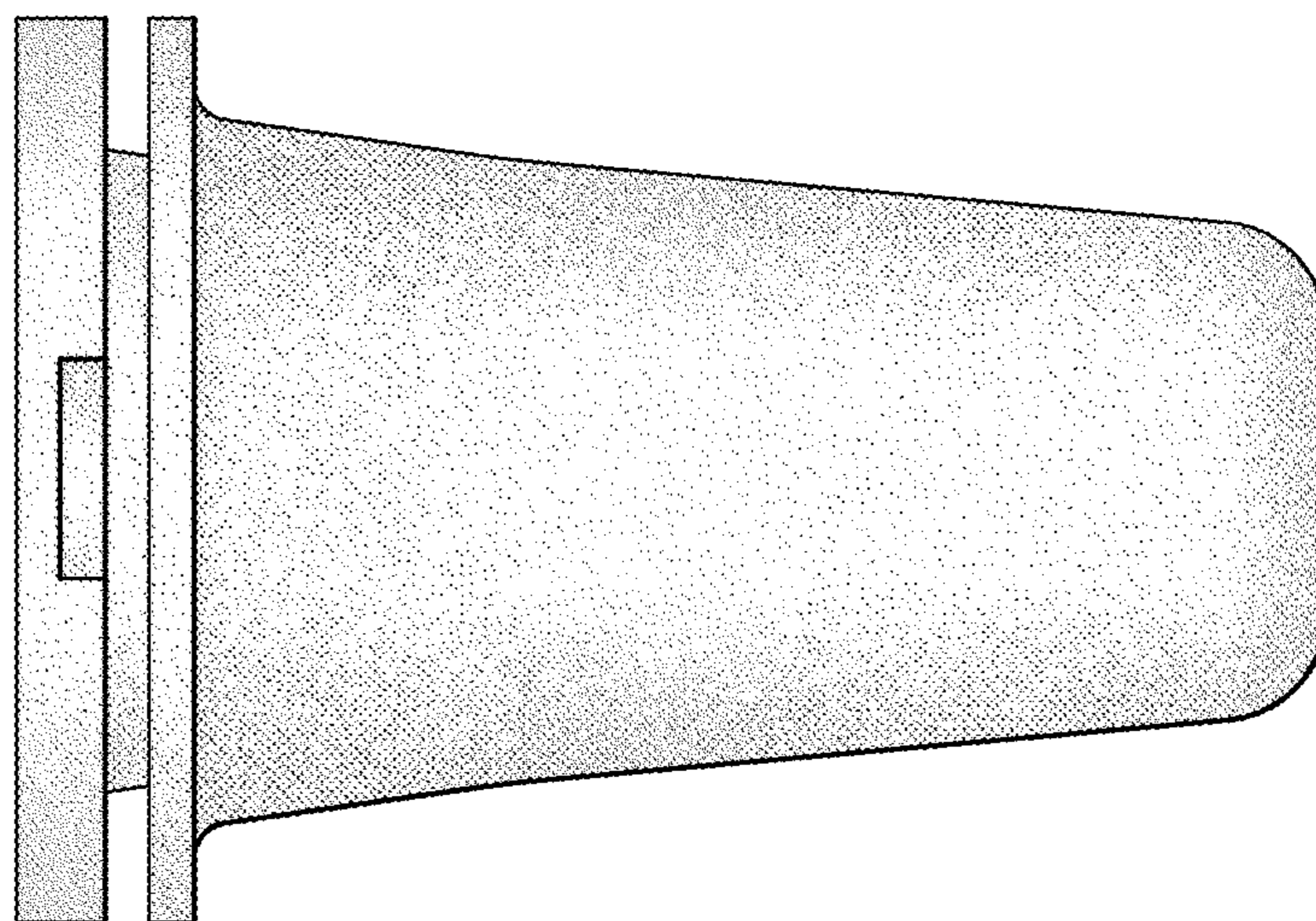


FIG. 4

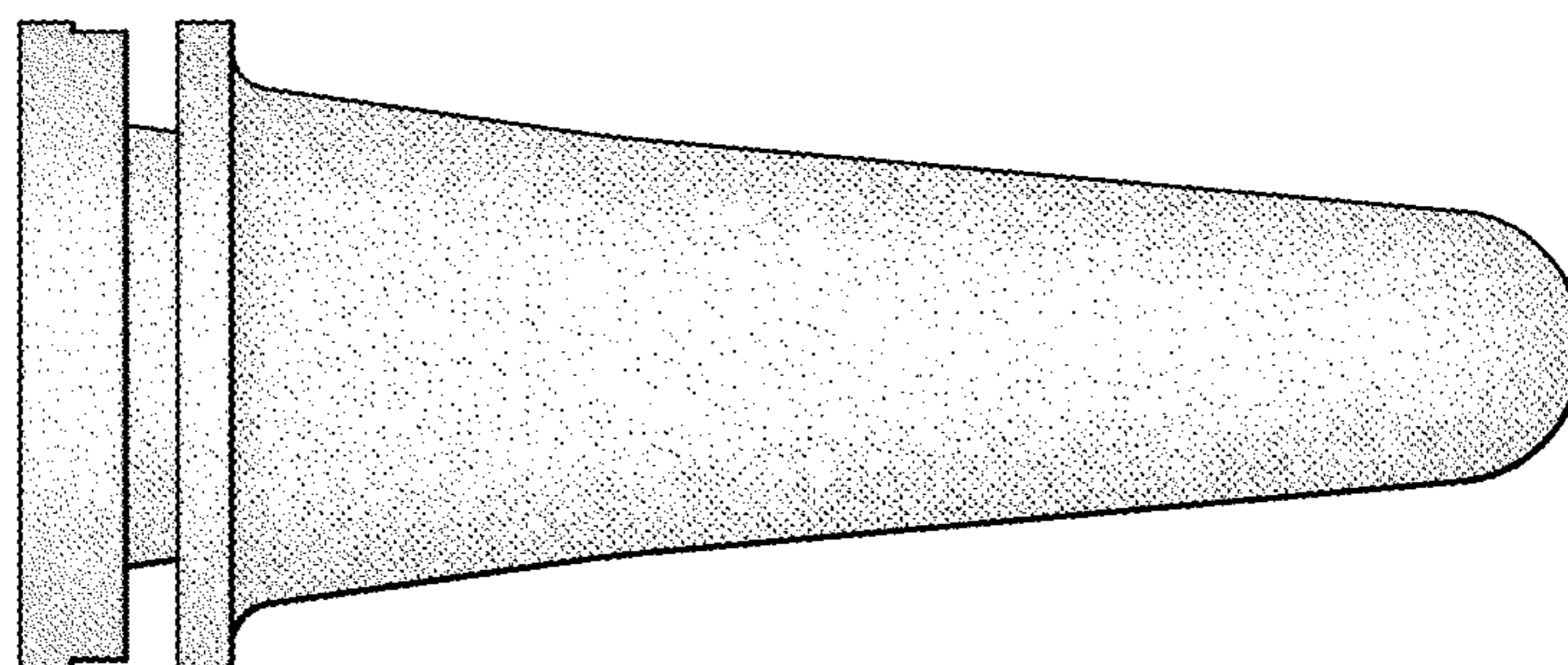


FIG. 5

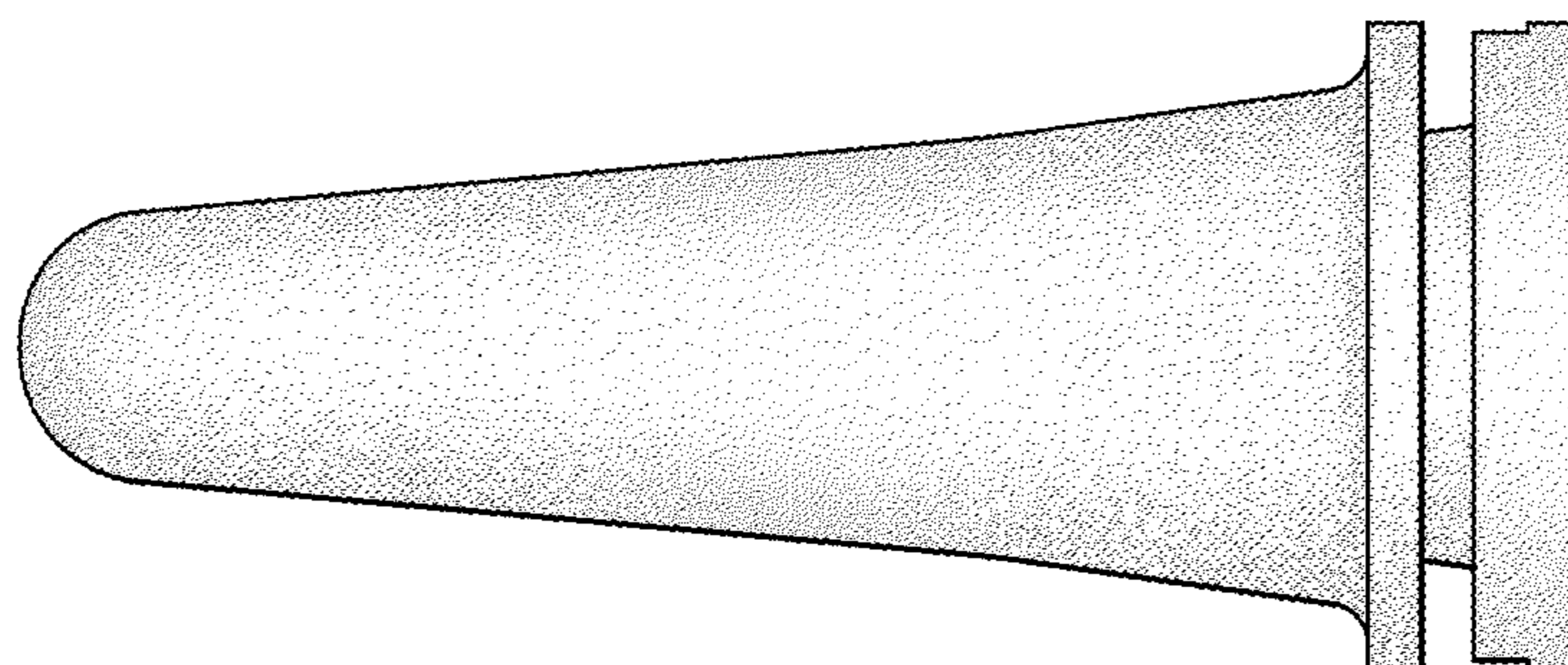


FIG. 6

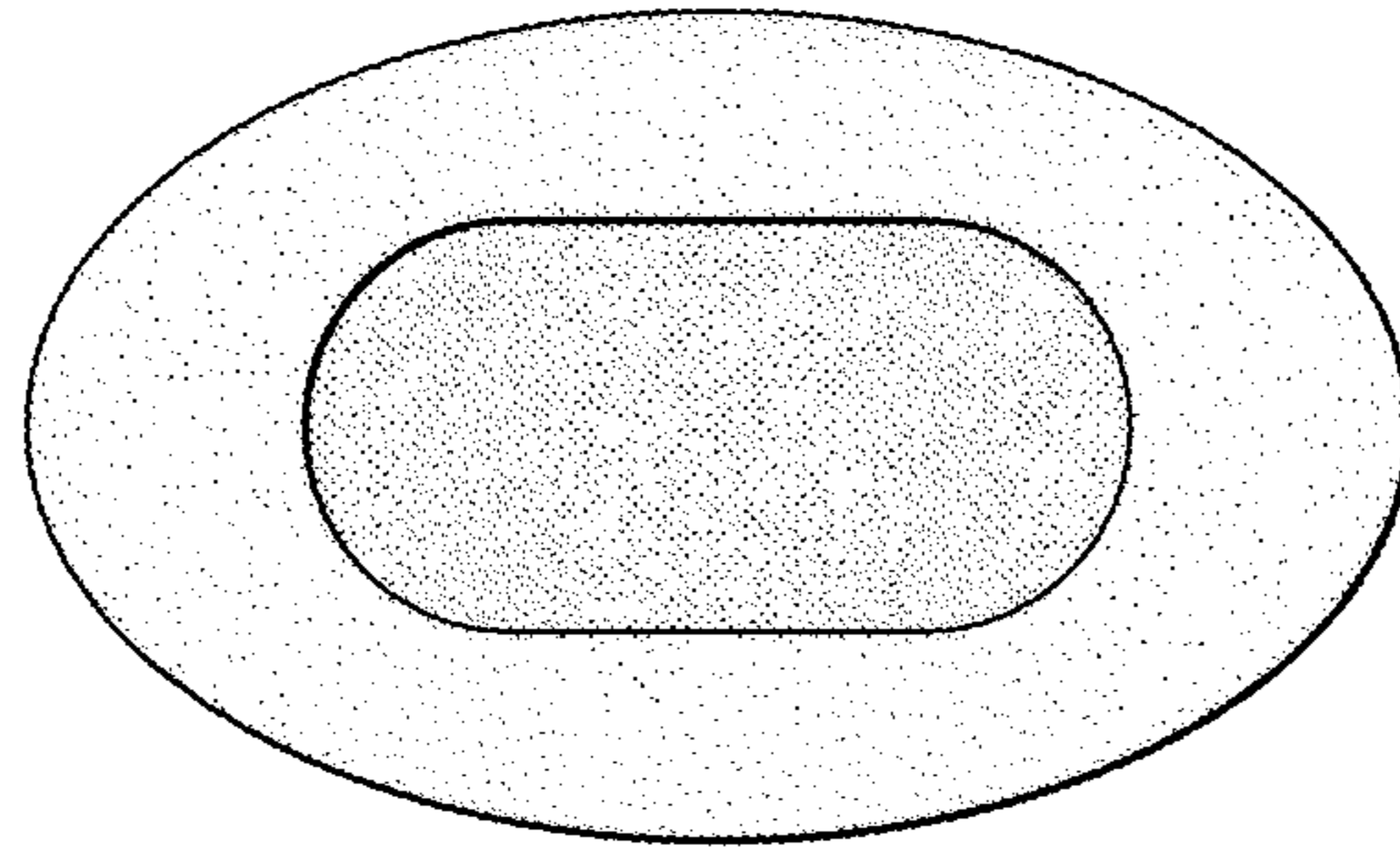


FIG. 7

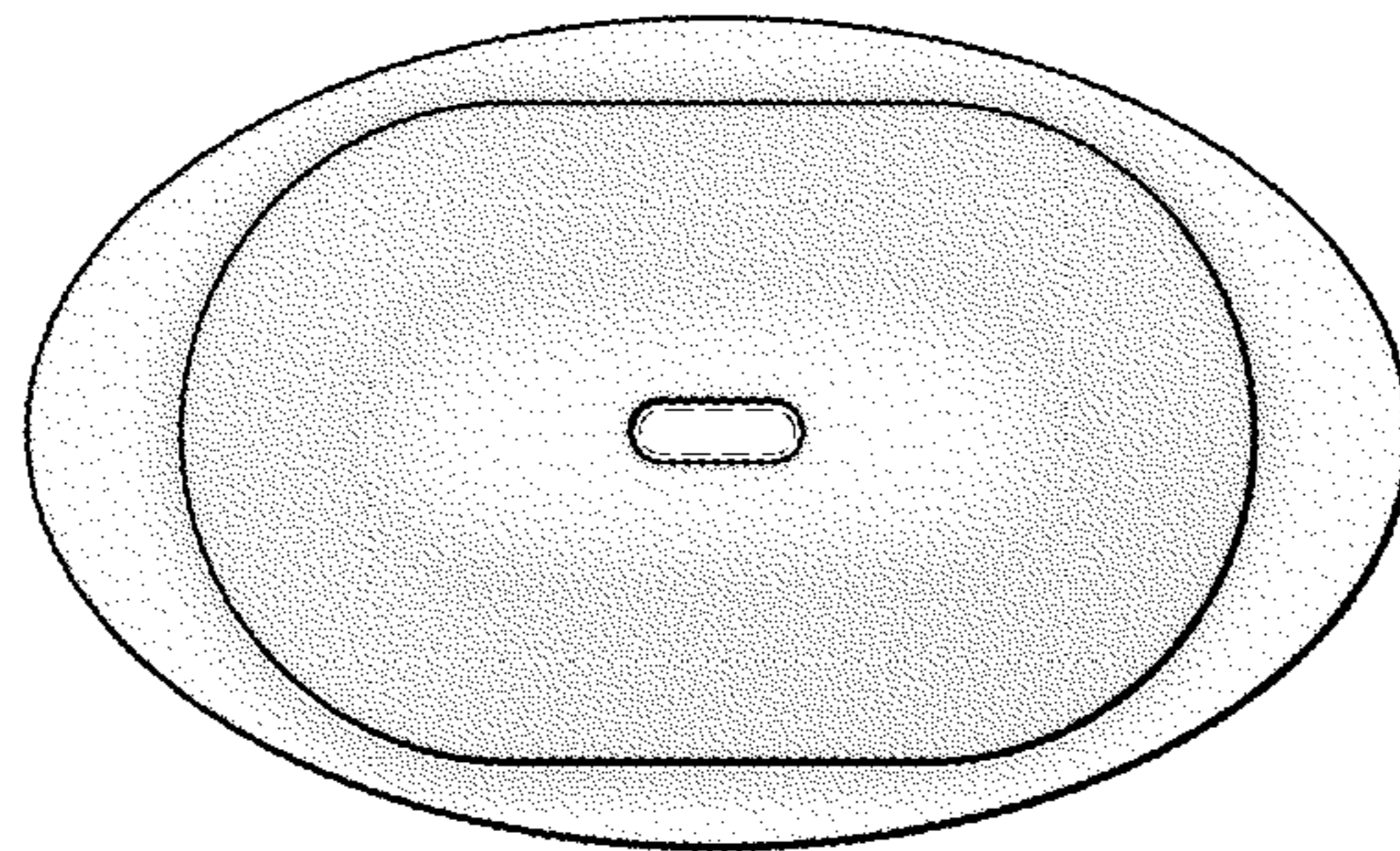


FIG. 8