

US00D973885S

(12) **United States Design Patent**  
**Levine et al.**

(10) **Patent No.:** **US D973,885 S**

(45) **Date of Patent:** **\*\* Dec. 27, 2022**

- (54) **ELECTROENCEPHALOGRAM SIGNAL AMPLIFICATION DEVICE**
- (71) Applicant: **X Development LLC**, Mountain View, CA (US)
- (72) Inventors: **Gabriella Levine**, San Francisco, CA (US); **Haden Cory**, San Francisco, CA (US); **Matthew David Day**, Oakland, CA (US)
- (73) Assignee: **X Development LLC**, Mountain View, CA (US)
- (\*\*) Term: **15 Years**
- (21) Appl. No.: **29/685,063**
- (22) Filed: **Mar. 26, 2019**
- (51) **LOC (13) Cl.** ..... **24-02**
- (52) **U.S. Cl.**  
USPC ..... **D24/186**
- (58) **Field of Classification Search**  
USPC ..... D13/107, 108, 159; D14/188, 216, 242; D24/242, 186, 187  
CPC ..... G01R 15/08; G01R 15/00  
See application file for complete search history.

(56) **References Cited**

**U.S. PATENT DOCUMENTS**

D497,350 S	*	10/2004	Ichitsubo	.....	D13/184
D571,351 S	*	6/2008	Sogabe	.....	D14/188
D574,360 S	*	8/2008	Matsuoka	.....	D14/502
D582,384 S	*	12/2008	Christopher	.....	D14/188
D612,503 S	*	3/2010	Johnston	.....	D24/186
D650,484 S	*	12/2011	Shinohara	.....	D24/186
D662,491 S	*	6/2012	Andre	.....	D14/434
D712,869 S	*	9/2014	Muramoto	.....	D14/188
D765,140 S	*	8/2016	Peng	.....	D14/496

D768,570 S	*	10/2016	Shigeno	.....	D13/108
D782,354 S	*	3/2017	Lovin	.....	D10/101
D798,339 S	*	9/2017	Yang	.....	D14/203.1
D805,938 S	*	12/2017	Park	.....	D10/104.1
D807,513 S	*	1/2018	Eslava	.....	D24/186
D809,951 S	*	2/2018	Yang	.....	D10/104.1
D810,947 S	*	2/2018	Larson	.....	D24/186
D859,195 S	*	9/2019	Kristensson	.....	D10/106.1
D870,665 S	*	12/2019	Schubert	.....	D13/108
D884,615 S	*	5/2020	Ito	.....	D13/108
D907,602 S	*	1/2021	Iwahori	.....	D14/230
D919,818 S	*	5/2021	Levine	.....	D24/186
D924,130 S	*	7/2021	Zhang	.....	D3/294
D928,324 S	*	8/2021	Smith	.....	D24/186
D933,628 S	*	10/2021	Morris	.....	D14/188
D935,395 S	*	11/2021	Chen	.....	D13/108
D940,333 S	*	1/2022	Weichert	.....	D24/186

\* cited by examiner

*Primary Examiner* — Christy Nemeth

(74) *Attorney, Agent, or Firm* — Fish & Richardson P.C.

(57) **CLAIM**

The ornamental design for an electroencephalogram signal amplification device, substantially as shown and described.

**DESCRIPTION**

FIG. 1 is a perspective view of an electroencephalogram signal amplification device.

FIG. 2 is a front view thereof.

FIG. 3 is a rear view thereof.

FIG. 4 is a left side view thereof.

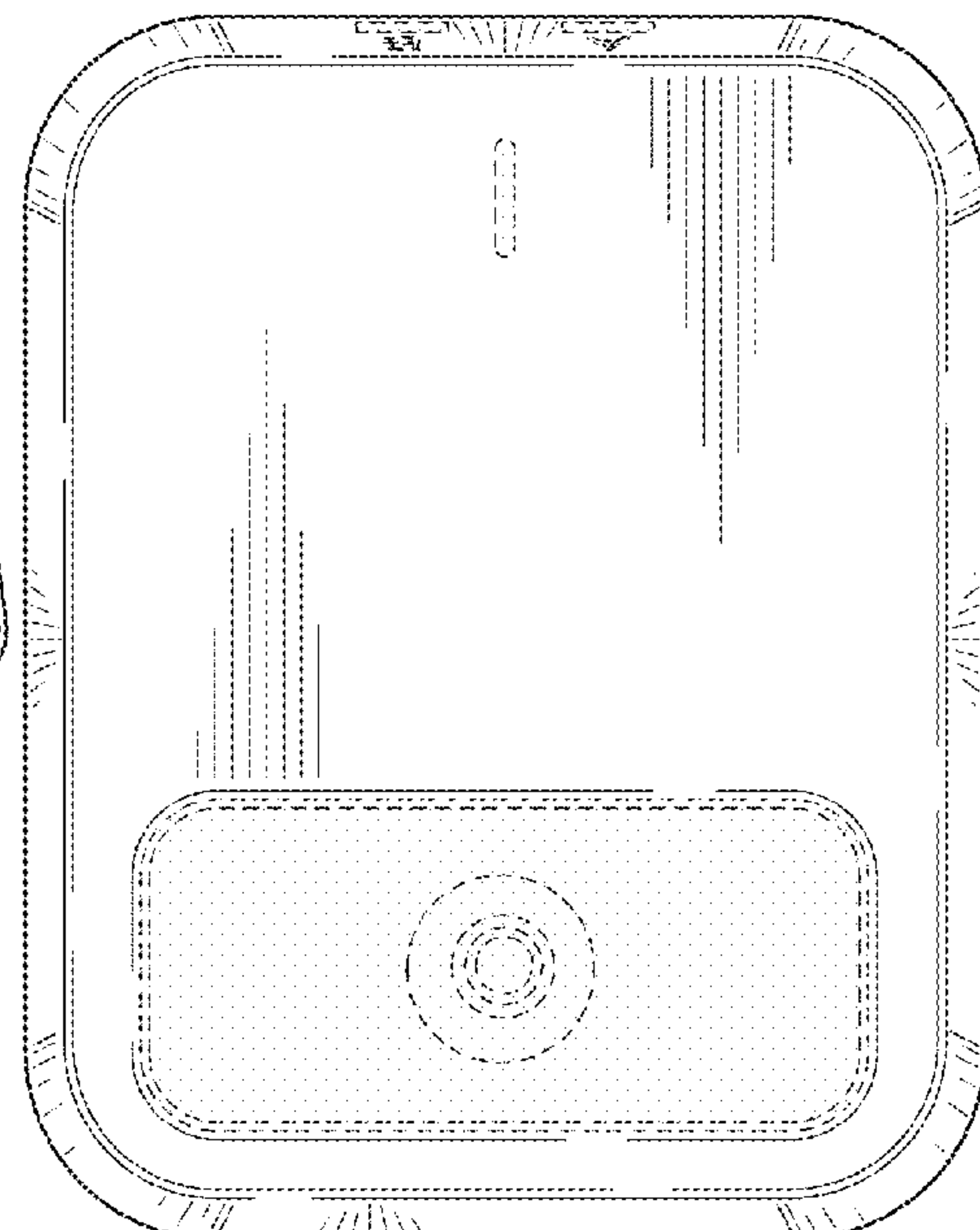
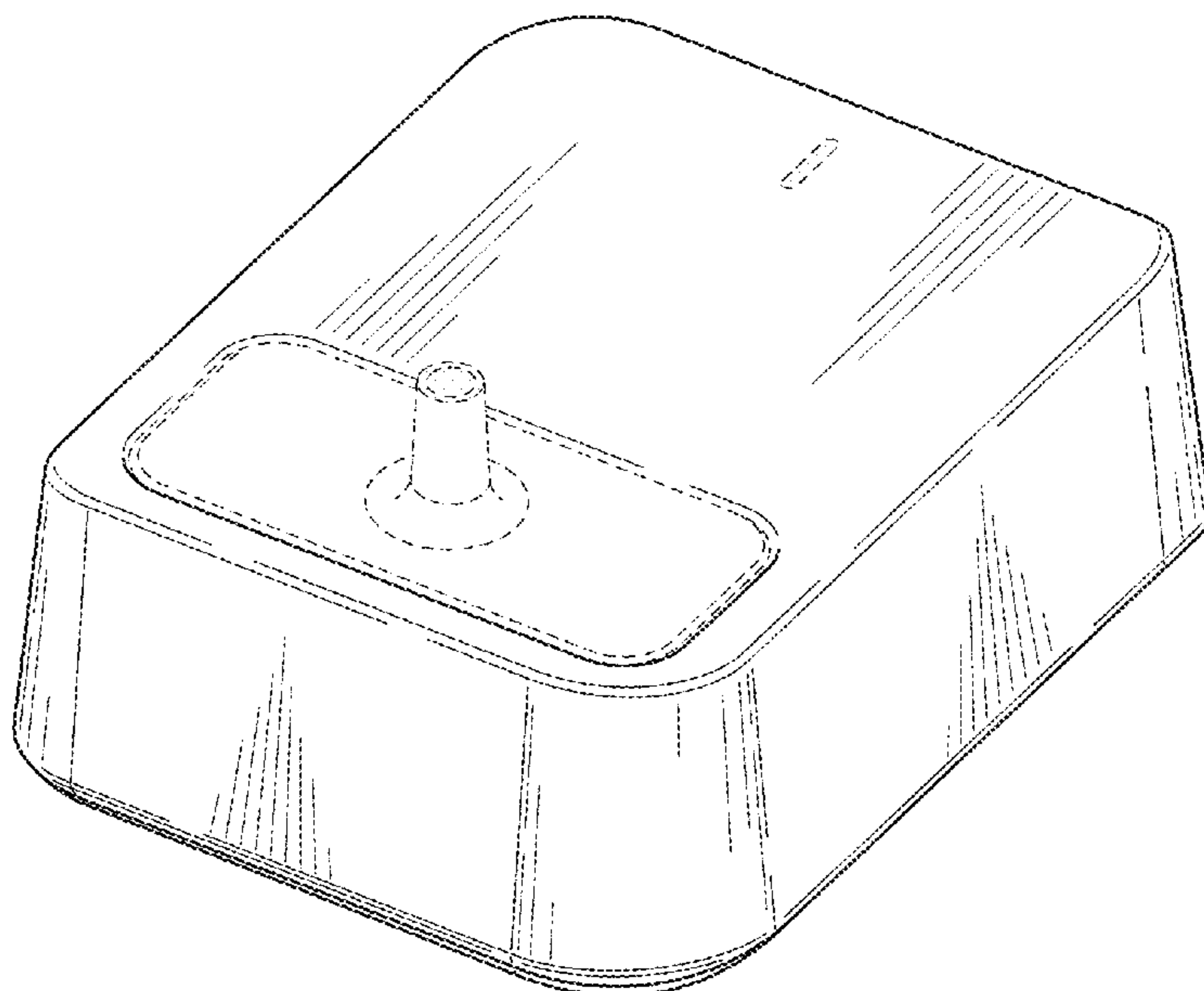
FIG. 5 is a right side view thereof.

FIG. 6 is a top view thereof; and,

FIG. 7 is a bottom view thereof.

The broken lines in the drawings are for the purpose of illustrating portions of the article that form no part of the claimed design.

**1 Claim, 4 Drawing Sheets**



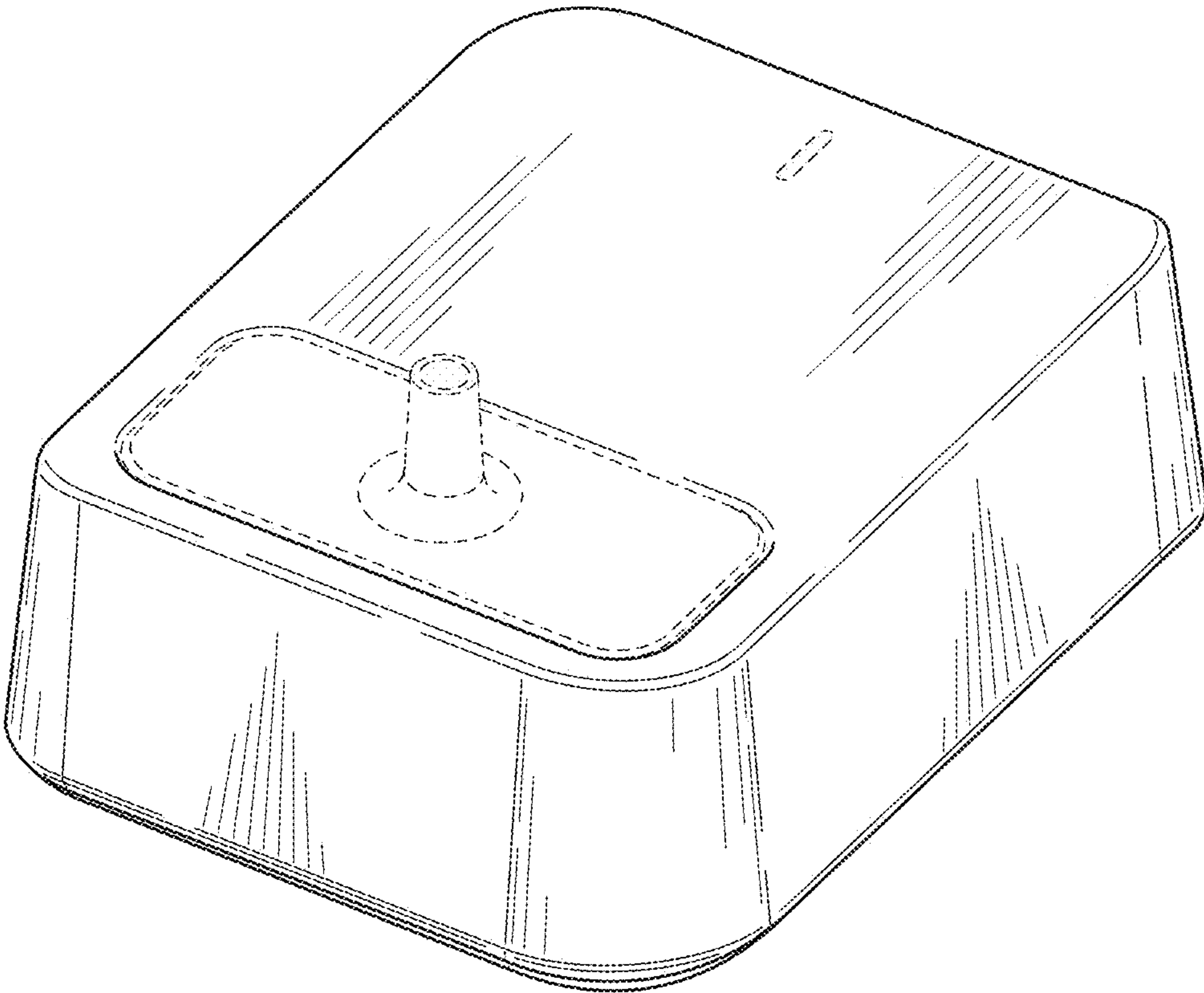


FIG. 1

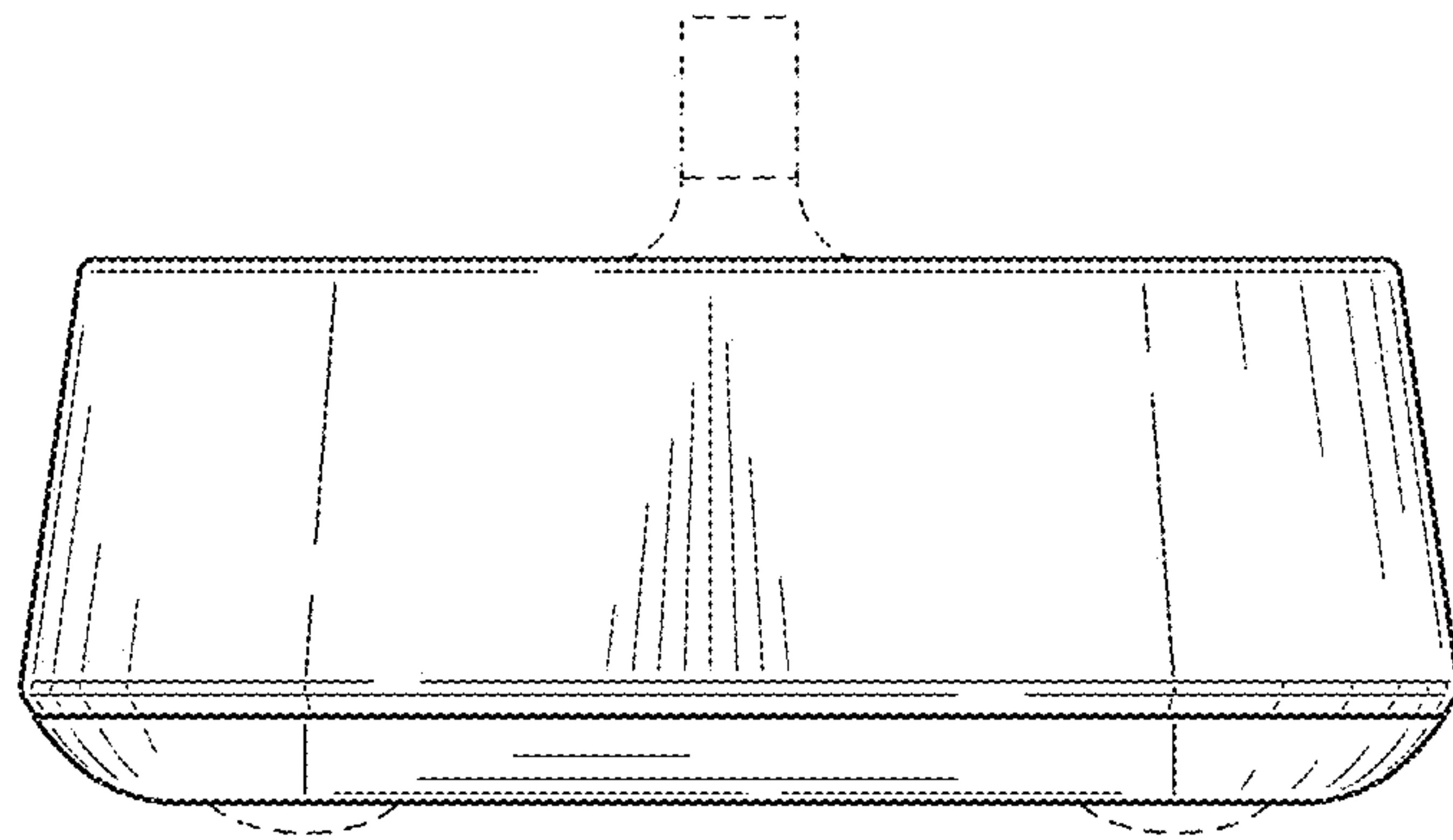


FIG. 2

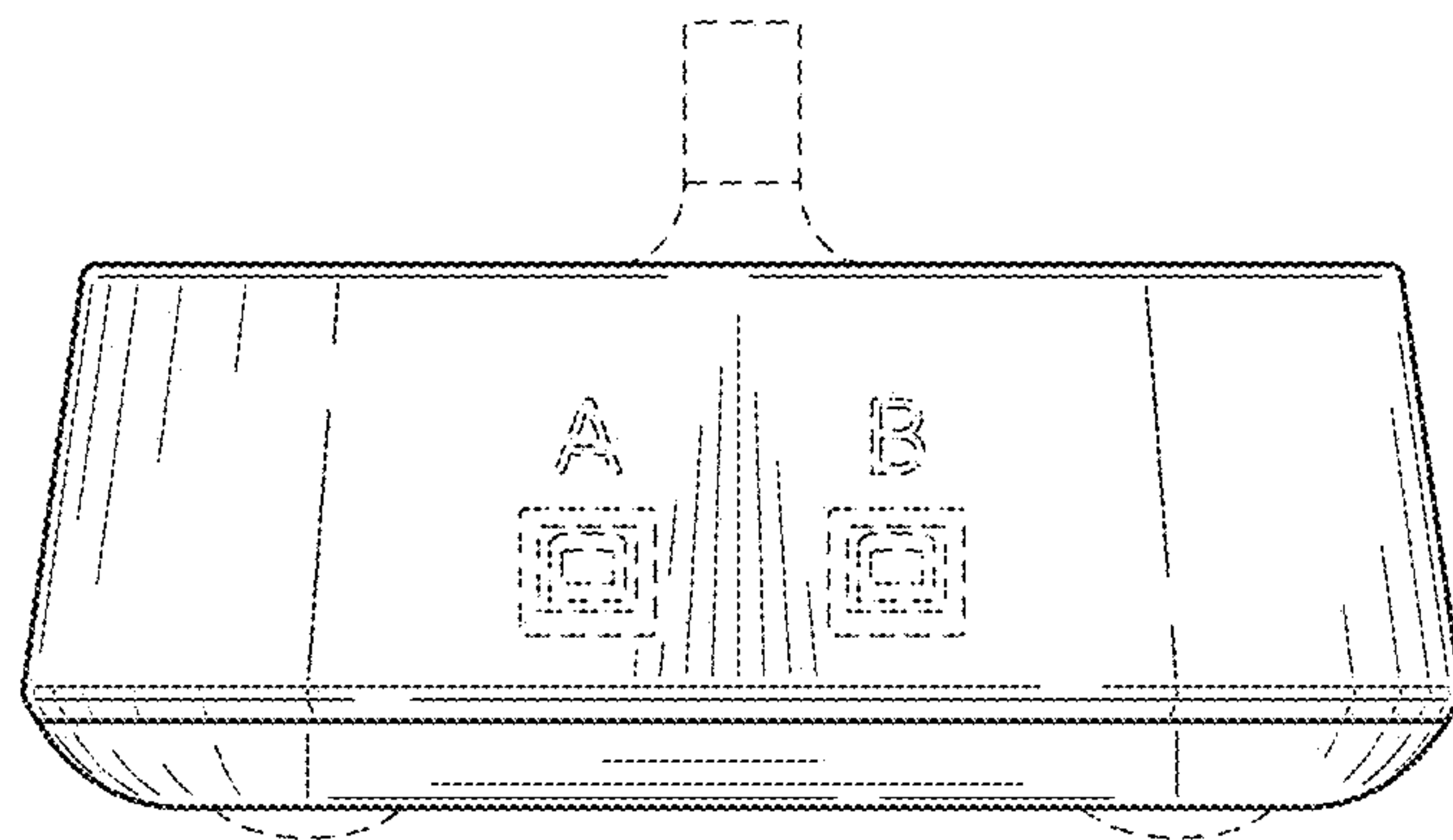


FIG. 3

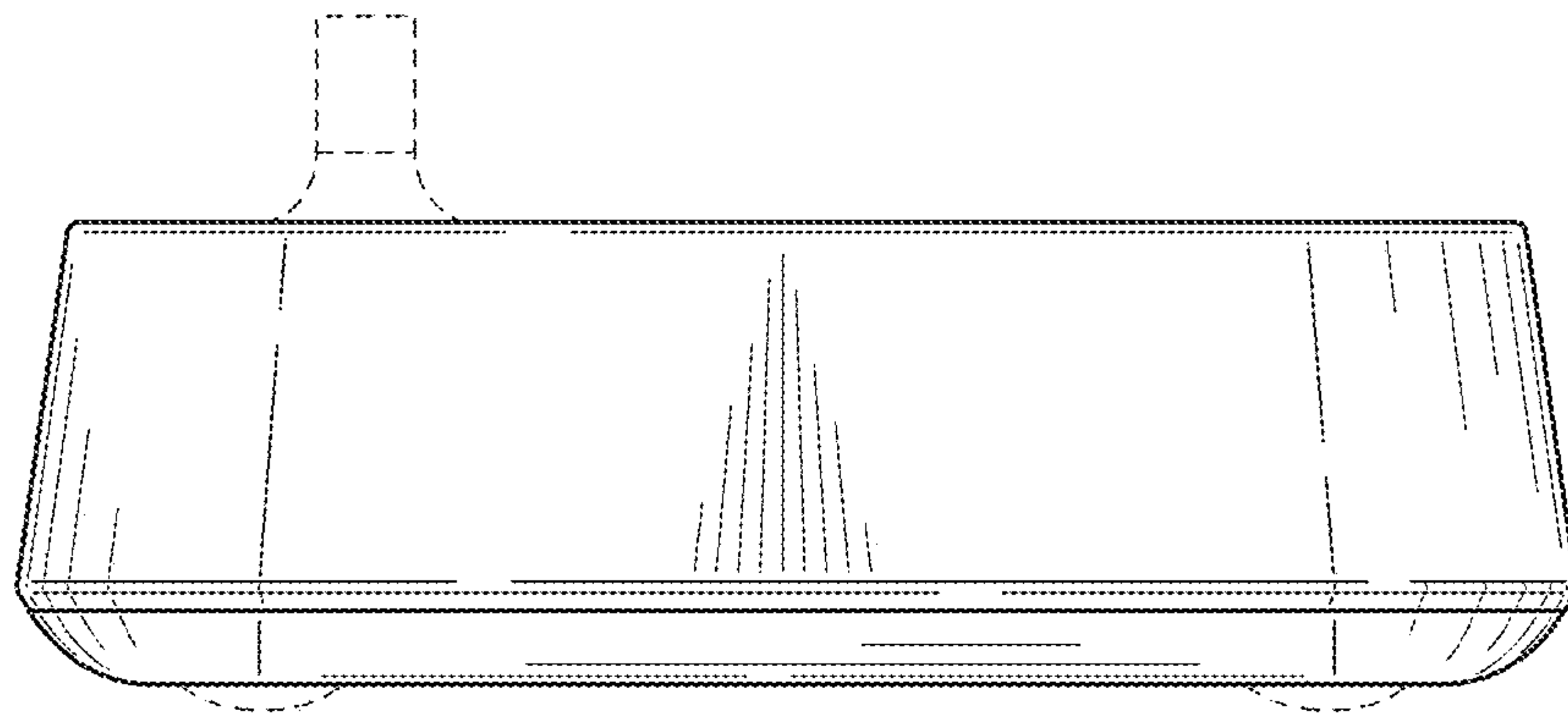


FIG. 4

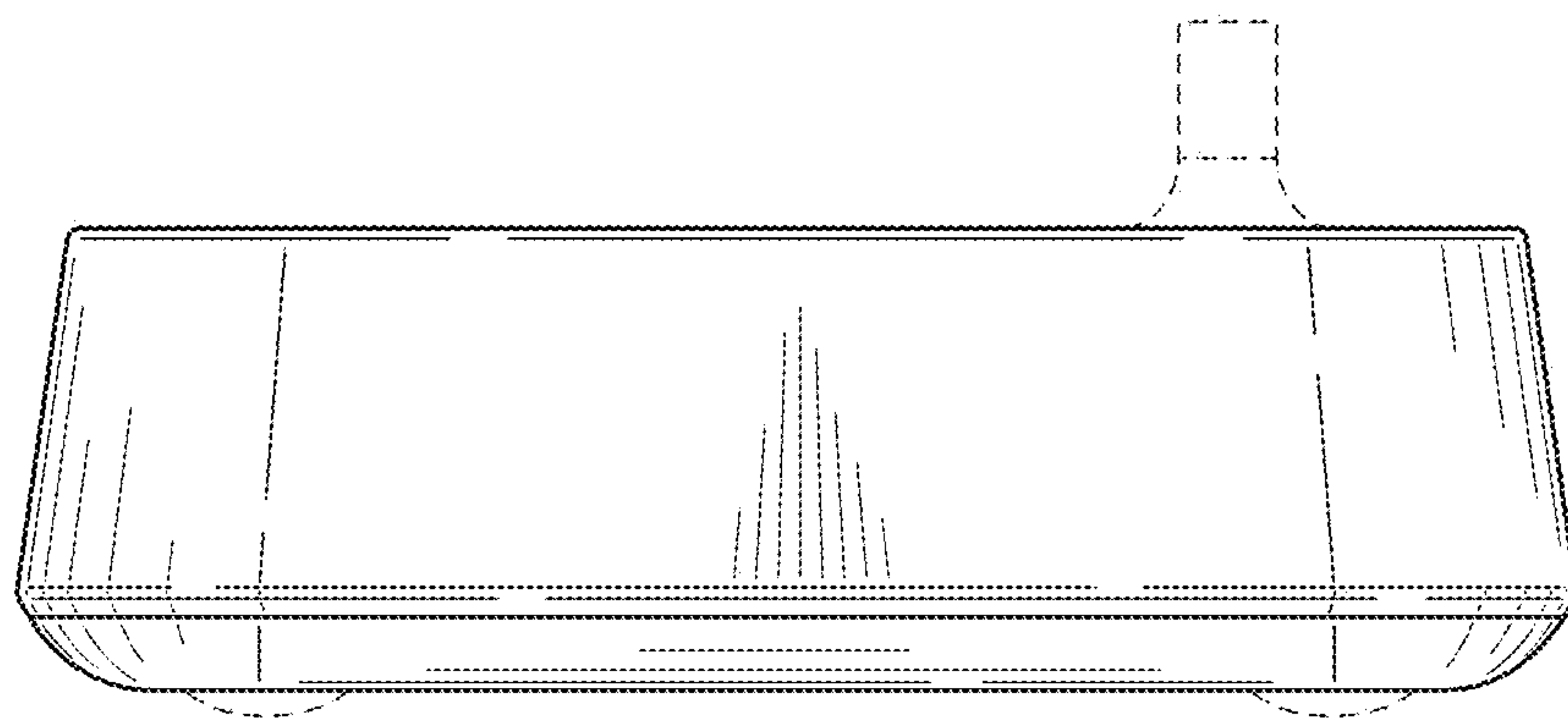


FIG. 5



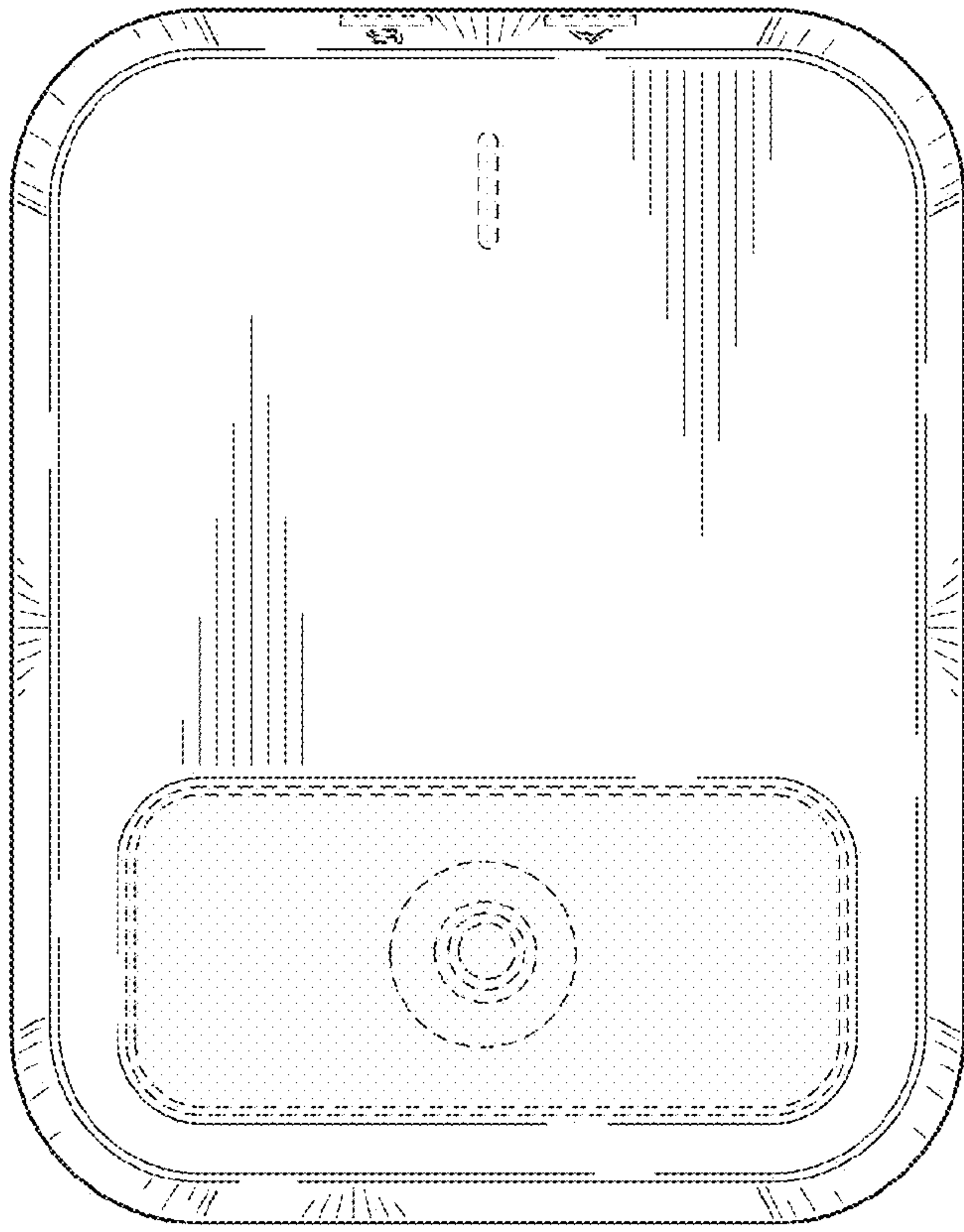


FIG. 6

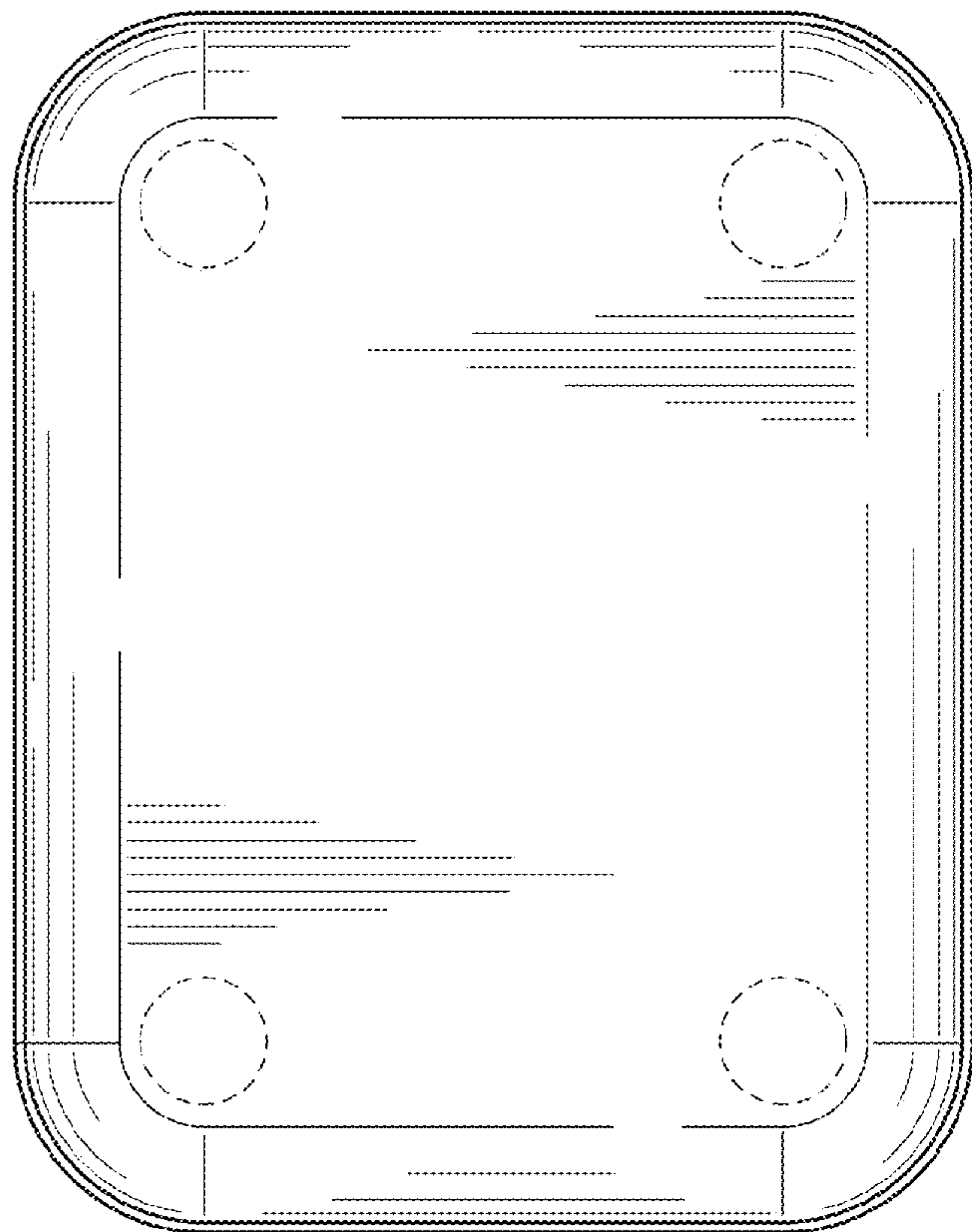


FIG. 7