



US00D973884S

(12) **United States Design Patent**  
**Zhan et al.**

(10) **Patent No.:** **US D973,884 S**

(45) **Date of Patent:** **\*\* Dec. 27, 2022**

(54) **MONITOR**

(71) Applicant: **GE Precision Healthcare LLC**,  
Milwaukee, WI (US)

(72) Inventors: **James Zhan**, Shanghai (CN); **Guidan Xu**, Wuxi (CN); **Long Chen**, Wuxi (CN); **Chunyan Miao**, Wuxi (CN); **Luying Liu**, Wuxi (CN); **Anjiang Wang**, Wuxi (CN); **Hui Hui**, Wuxi (CN)

(73) Assignee: **GE Precision Healthcare LLC**,  
Milwaukee, WI (US)

(\*\*) Term: **15 Years**

(21) Appl. No.: **29/737,477**

(22) Filed: **Jun. 9, 2020**

(51) **LOC (13) Cl.** ..... **24-02**

(52) **U.S. Cl.**  
USPC ..... **D24/185**; D14/336; D14/358

(58) **Field of Classification Search**  
USPC ..... D14/305, 306, 307, 315, 316, 322, 334, D14/335, 336, 339, 340, 356, 371, 372, D14/373, 374, 375, 376, 377, 378, 379, D14/380, 381, 382, 432, 448, 449, 450, D14/451, 452, 125, 126, 127, 129, 132, D14/133, 217, 239, 314, 337, 447, 496, D14/134, 203.1, 203.3, 203.7, 203.8; D24/177, 185, 186  
CPC ..... G06F 1/16; G06F 1/1601; G06F 1/1603; G06F 1/1605; G06F 1/1607; G06F 1/1611; G06F 1/1616; G06F 1/1618; G06F 1/1622; G06F 1/1626; G06F 1/1641; G06F 1/1643; G06F 1/1647; G06F 1/1649; G06F 1/1654; G06F 1/1656; G06F 1/181; G06F 1/1684; G06F 1/1686; G06F 1/1692; H05K 5/0239; H05K 5/02; H05K 5/0204; H05K 5/0217; H05K 5/0247; H05K 5/0234; H05K 5/0213;

(Continued)

(56) **References Cited**

U.S. PATENT DOCUMENTS

D395,513 S \* 6/1998 Rogler ..... D24/186  
D711,004 S \* 8/2014 Chen ..... D24/186  
D735,344 S \* 7/2015 Weichert ..... D24/186

(Continued)

OTHER PUBLICATIONS

Non announcement Designer, CN Design No. 305746374, published at Orbit, publication date Apr. 28, 2020. Site visited May 16, 2022. Available from internet. (Year: 2020).\*

*Primary Examiner* — Kathleen L Jones

*Assistant Examiner* — Cole Sanders Holman

(74) *Attorney, Agent, or Firm* — McCoy Russell LLP

(57) **CLAIM**

The ornamental design for a monitor, as shown and described.

**DESCRIPTION**

FIG. 1 is a front-top perspective view of a monitor according to the claimed design.

FIG. 2 is a rear-top perspective view of the monitor.

FIG. 3 is a front view of the monitor.

FIG. 4 is a rear view of the monitor.

FIG. 5 is a top view of the monitor.

FIG. 6 is a bottom view of the monitor.

FIG. 7 is a left side view of the monitor; and,

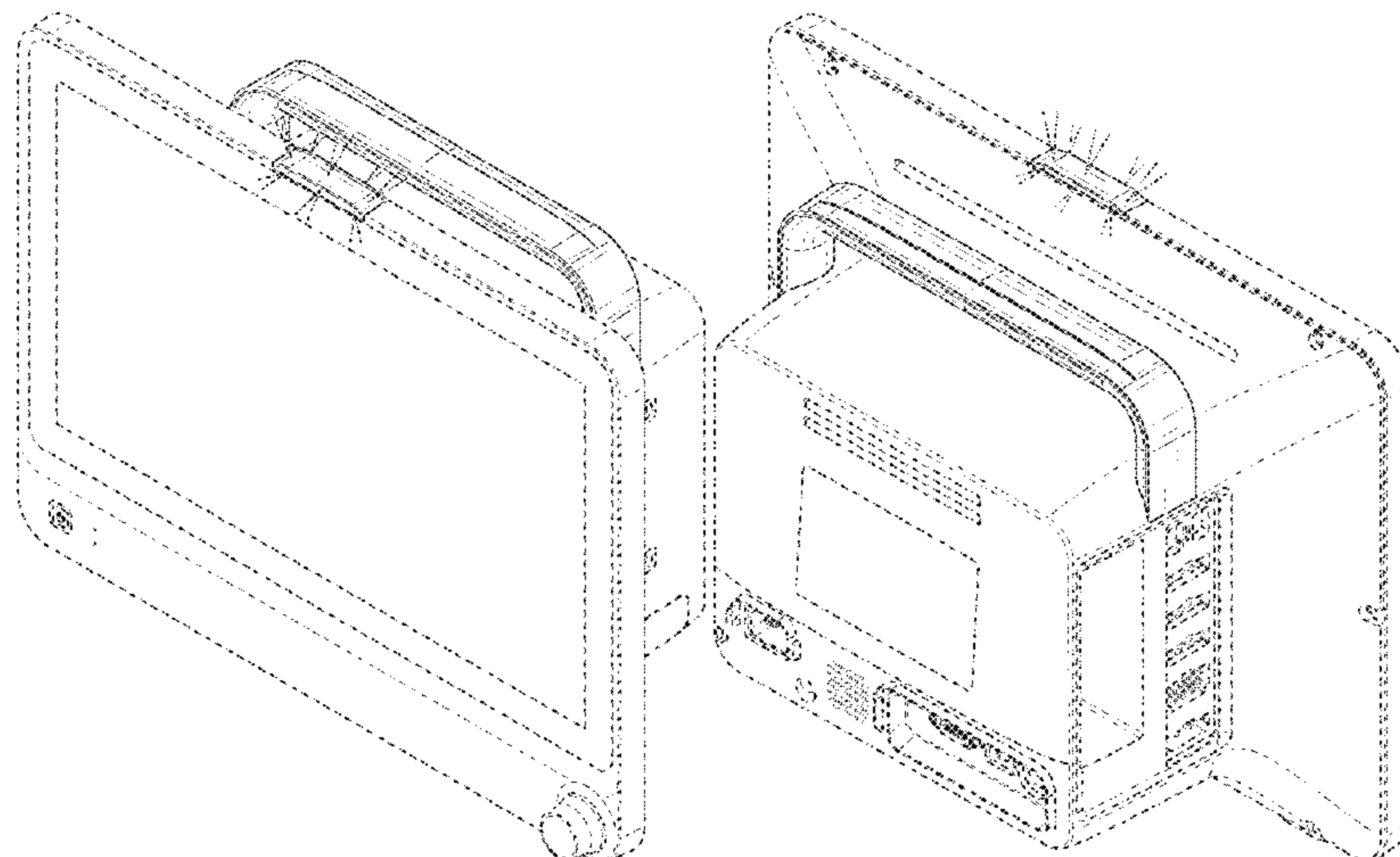
FIG. 8 is a right side view of the monitor.

The dash-dash broken lines in the figures illustrate portions of the monitor that form no part of the claimed design.

The dash-dot-dash broken lines in FIGS. 1-5 and 7-8 represent illumination of the top illumination feature. The illumination forms part of the claim.

The vent features at the underside of the monitor illustrated in broken lines form no part of the claimed design.

**1 Claim, 8 Drawing Sheets**



(58) **Field of Classification Search**

CPC ..... H05K 5/00; H05K 5/03; H05K 5/0243;  
H05K 5/0286; H04N 5/64; H04N 5/645

See application file for complete search history.

(56) **References Cited**

U.S. PATENT DOCUMENTS

D765,042	S	*	8/2016	Shimohama	.....	D13/164
D769,872	S	*	10/2016	Swyst	.....	D14/371
D776,819	S	*	1/2017	Vybornov	.....	D24/160
D807,513	S	*	1/2018	Eslava	.....	D24/186
D835,100	S	*	12/2018	Zhan	.....	D14/371
D926,995	S	*	8/2021	He	.....	D24/185
D928,970	S	*	8/2021	Sato	.....	D24/186
D931,282	S	*	9/2021	Turk	.....	D13/164
D938,961	S	*	12/2021	Hui	.....	D14/485
2022/0104779	A1	*	4/2022	Lund	.....	H05K 5/0204

\* cited by examiner

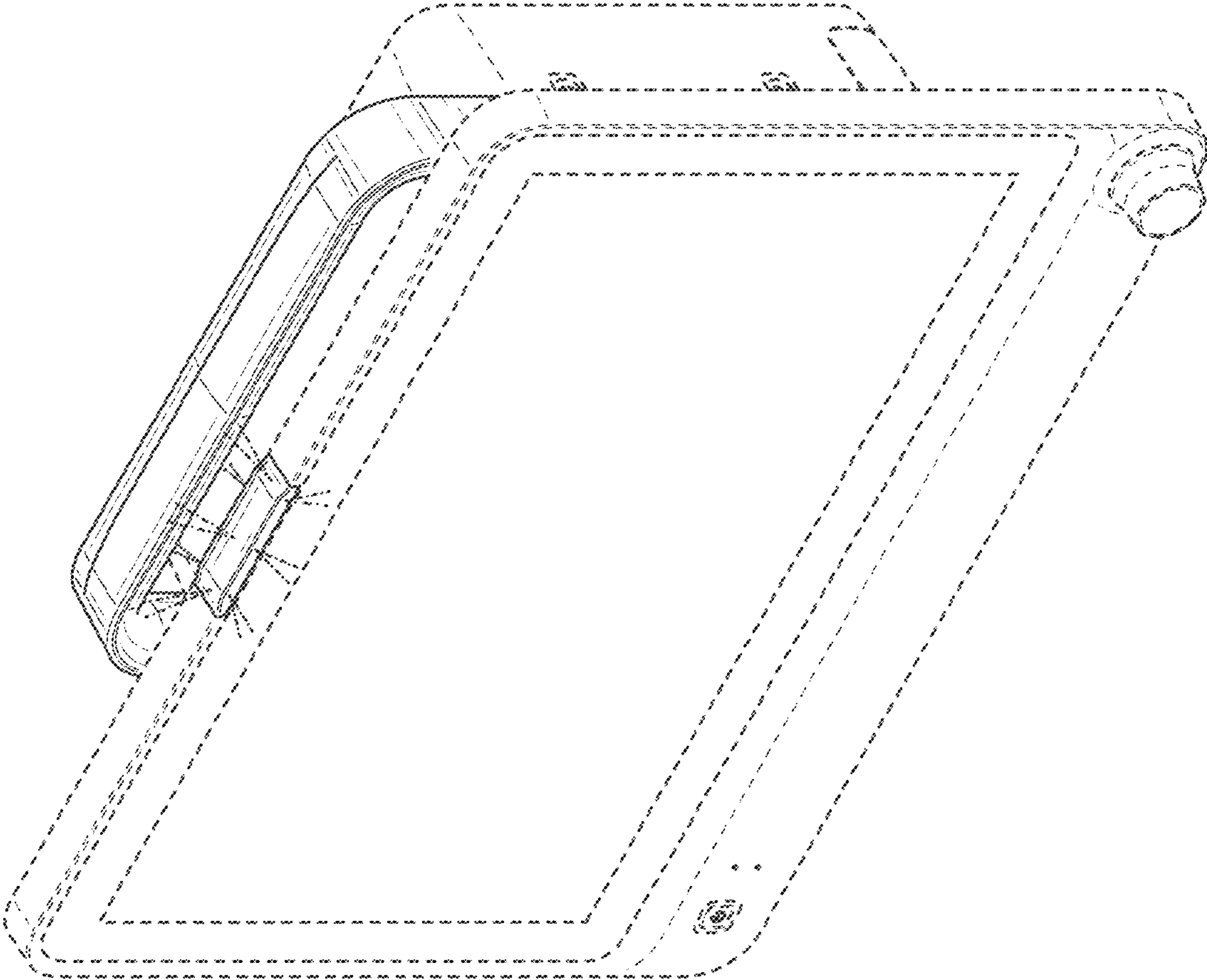


FIG. 1

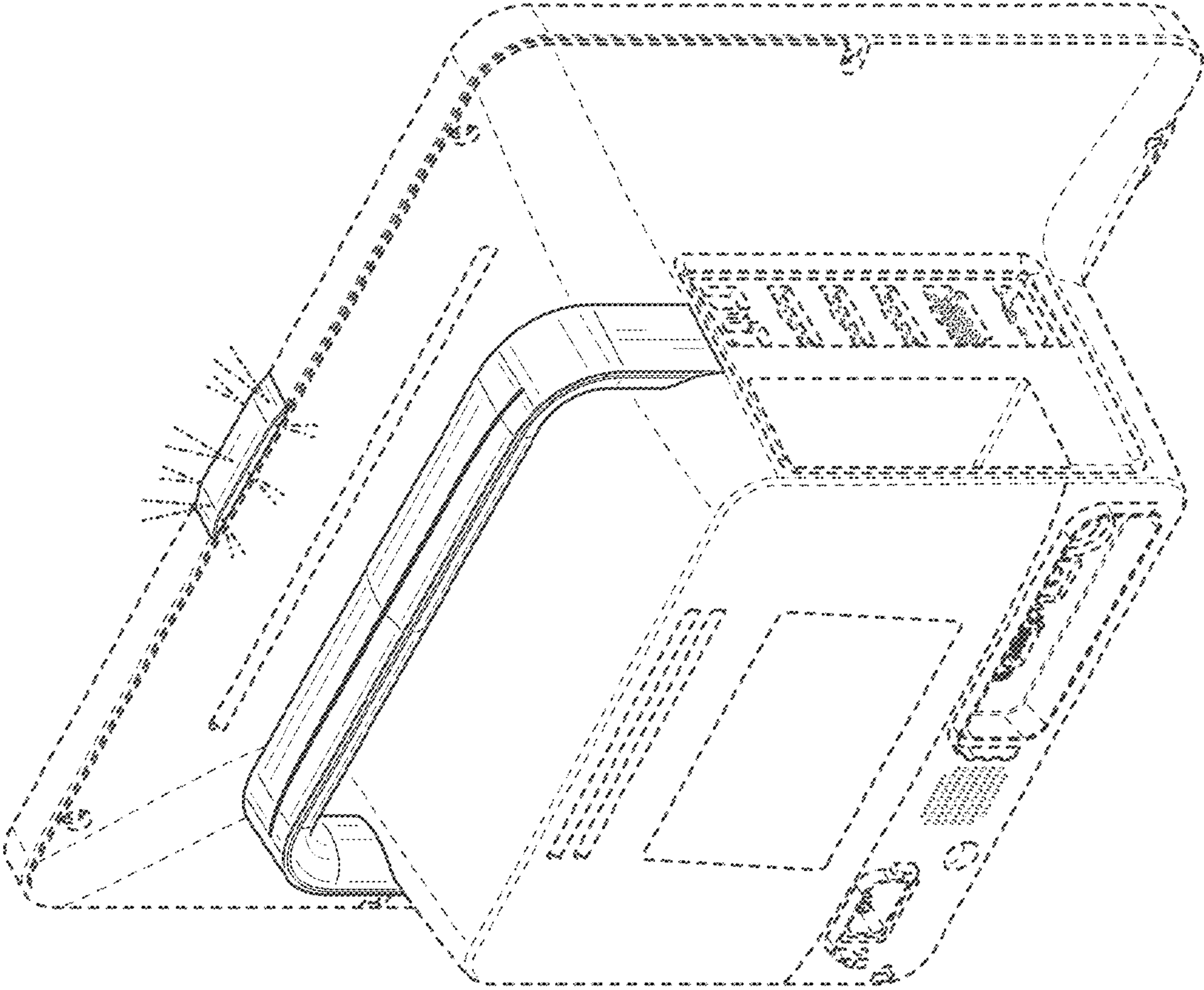


FIG. 2



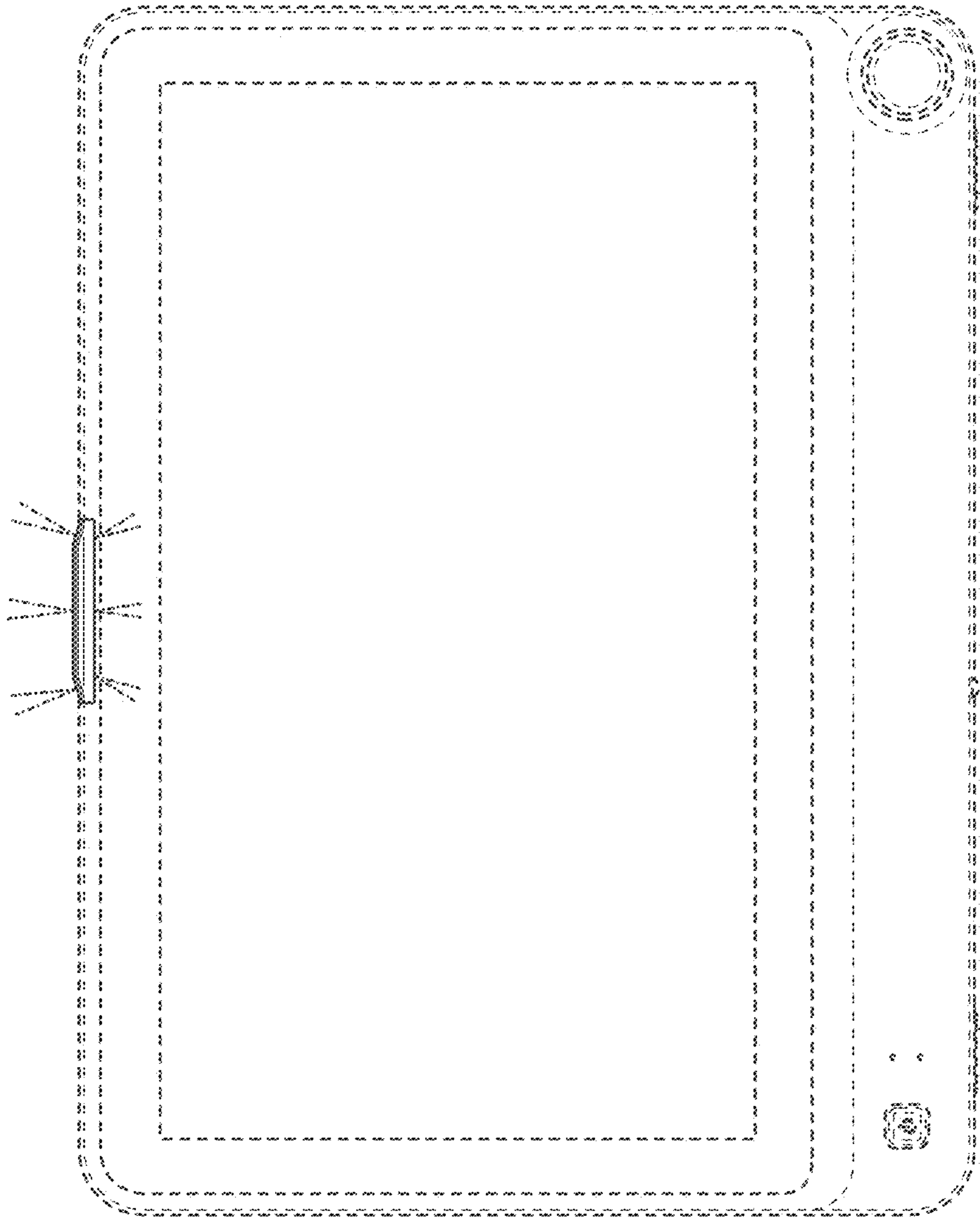


FIG. 3

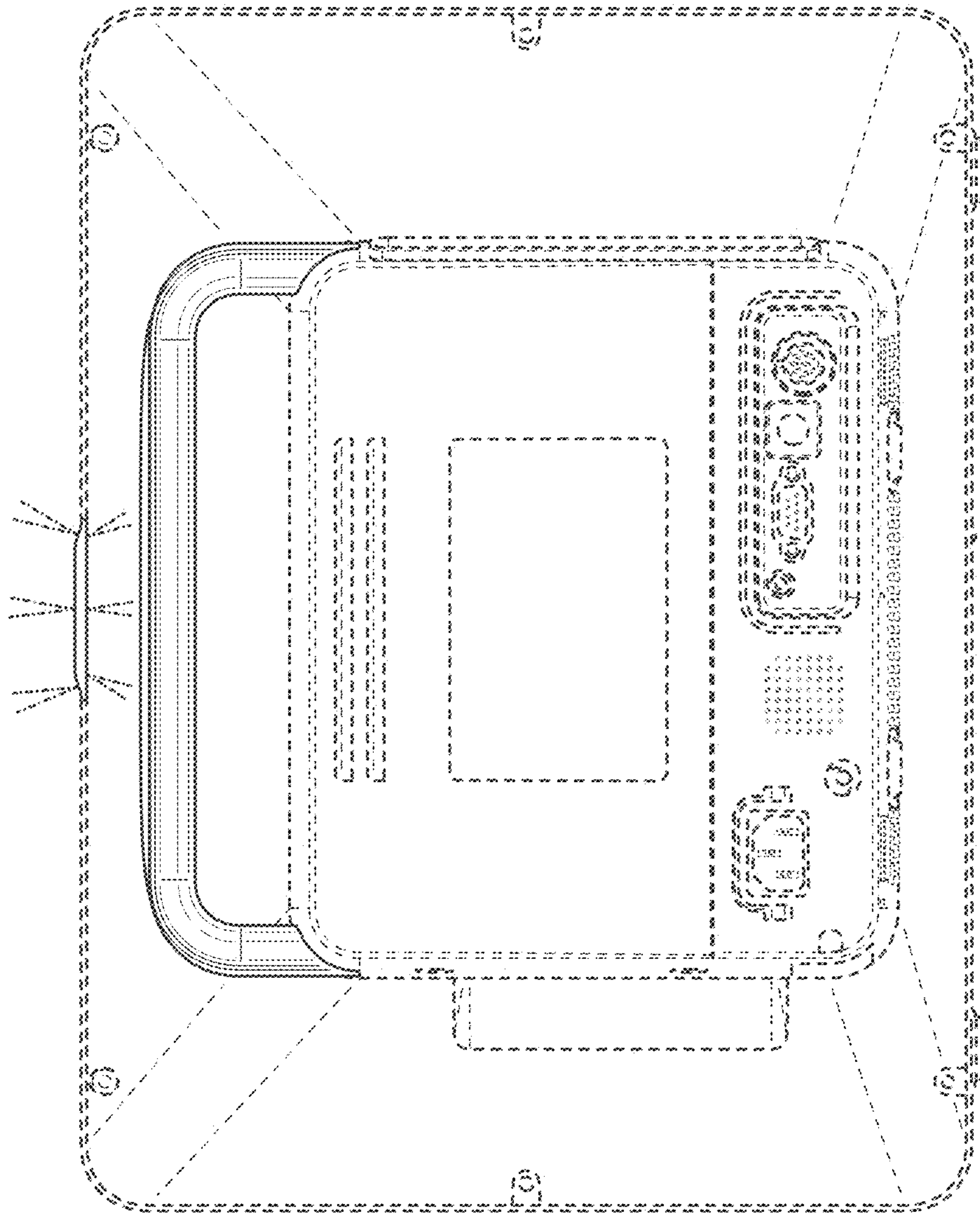


FIG. 4

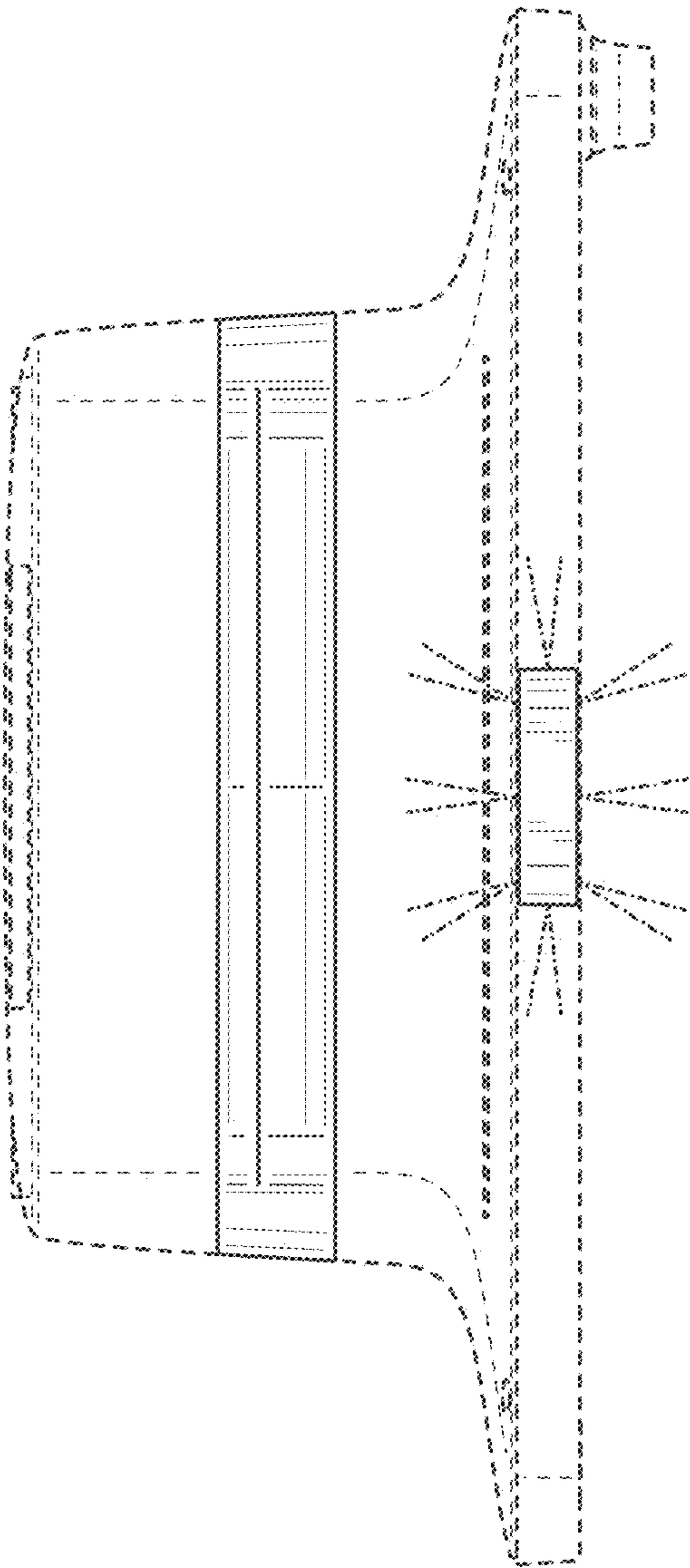


FIG. 5

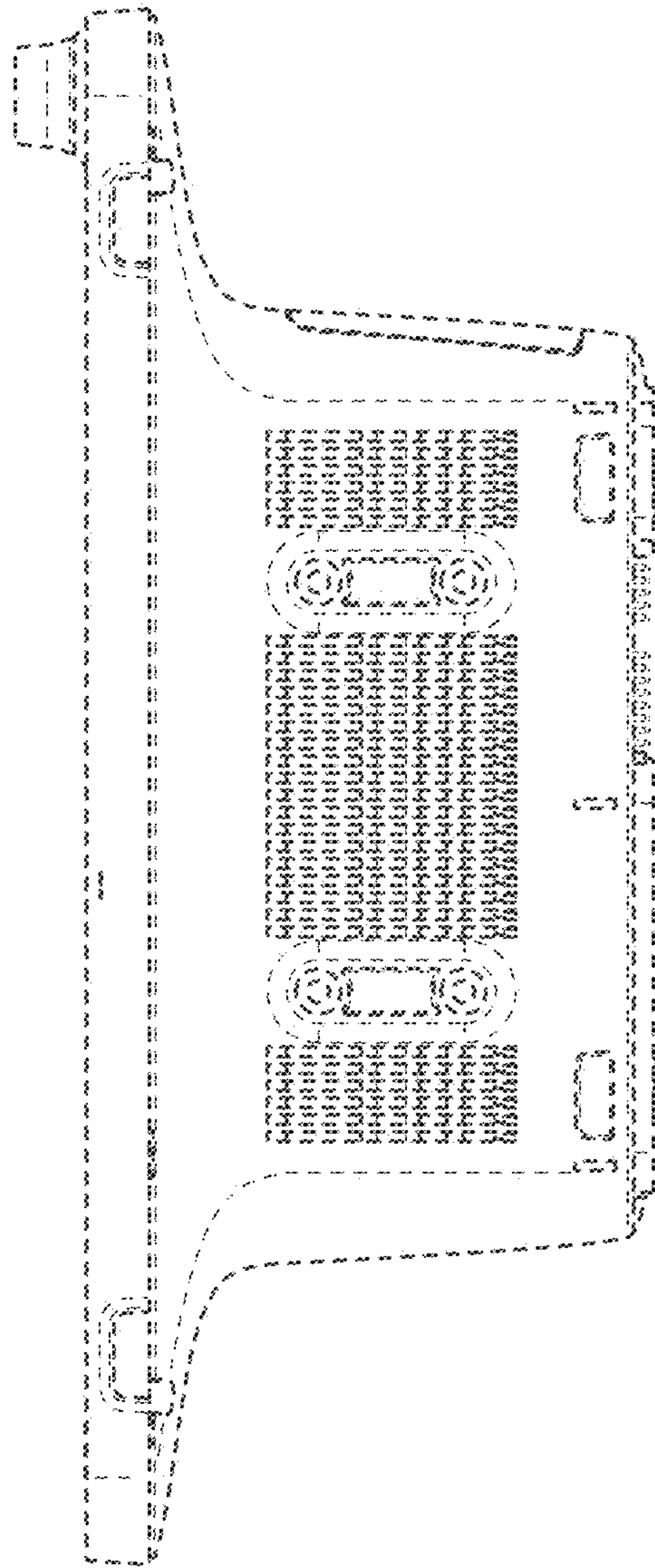


FIG. 6



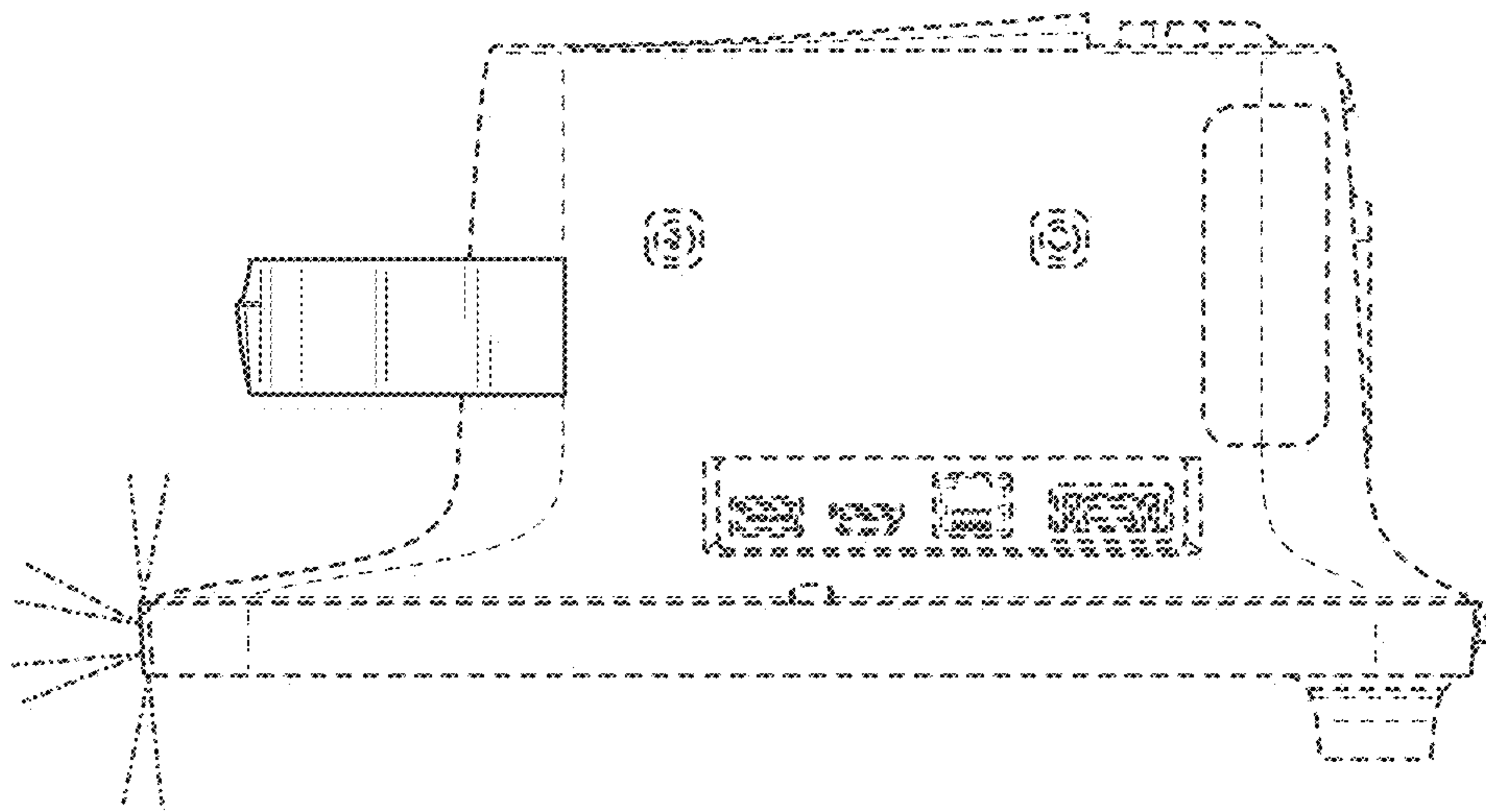


FIG. 7

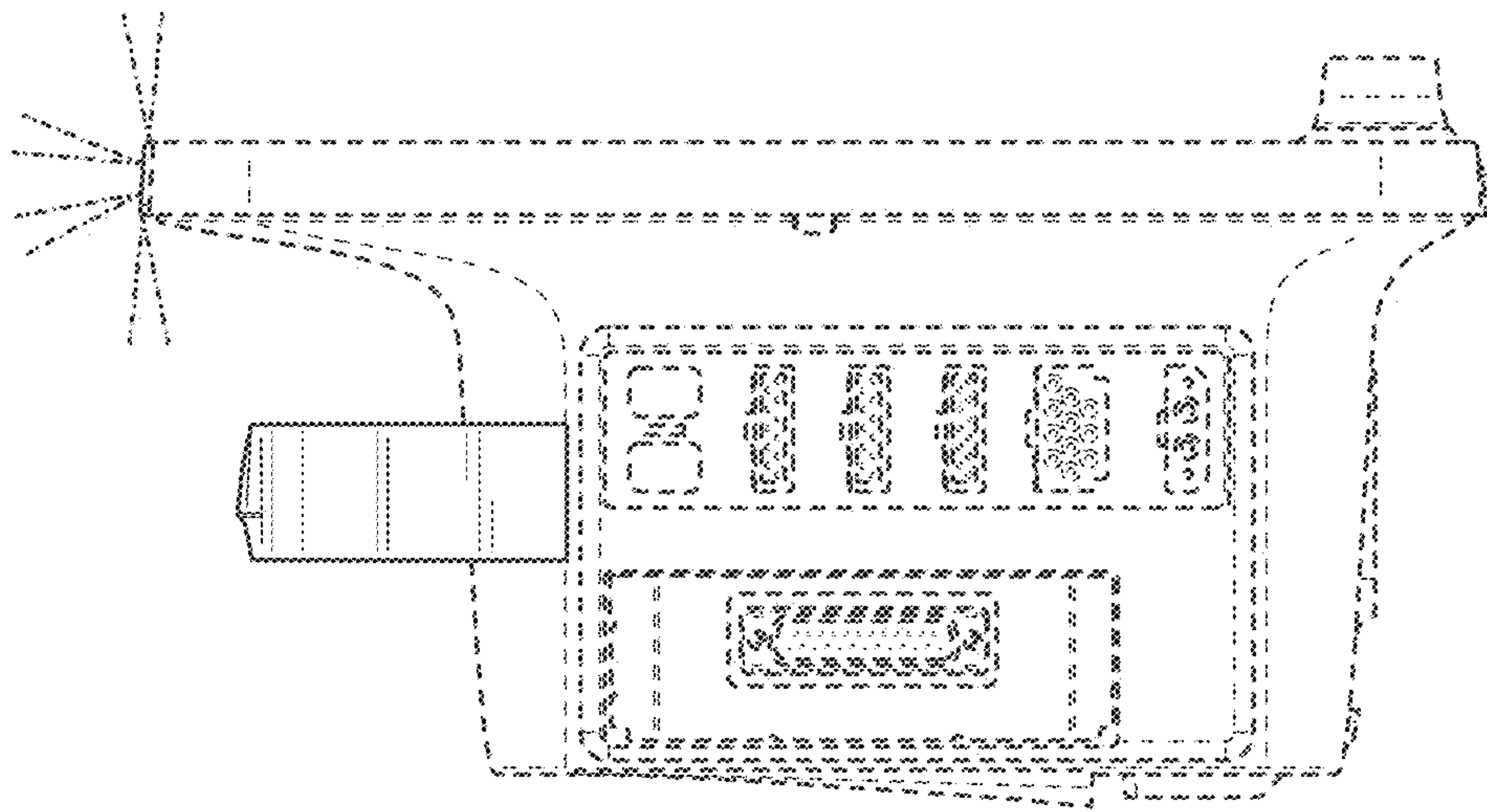


FIG. 8