



US00D973881S

(12) **United States Design Patent**
Vuillemin et al.

(10) **Patent No.:** **US D973,881 S**

(45) **Date of Patent:** **** Dec. 27, 2022**

(54) **ROBOTIC INTERFACE**

(71) Applicant: **Brainlab AG**, Munich (DE)

(72) Inventors: **Jerome Vuillemin**, Munich (DE);
Elmar Schlereth, Munich (DE)

(73) Assignee: **Brainlab AG**, Munich (DE)

(**) Term: **15 Years**

(21) Appl. No.: **29/810,831**

(22) Filed: **Oct. 8, 2021**

Related U.S. Application Data

(63) Continuation-in-part of application No. 29/673,013,
filed on Dec. 11, 2018.

(30) **Foreign Application Priority Data**

Jun. 12, 2018 (EM) 005308236

(51) **LOC (13) Cl.** **24-02**

(52) **U.S. Cl.**
USPC **D24/170**

(58) **Field of Classification Search**
USPC D24/170, 129, 152, 164, 185; D15/199
CPC .. B25J 9/047; B25J 15/08; A61M 1/86; A61B
34/30

See application file for complete search history.

(56) **References Cited**

U.S. PATENT DOCUMENTS

5,178,431 A * 1/1993 Voellmer B25J 15/08
294/902

D344,930 S 3/1994 Schaeffler
5,382,409 A 1/1995 Baxter
5,631,453 A 5/1997 Maeda
D432,998 S 10/2000 Decosse
6,186,896 B1 2/2001 Takeda et al.

D442,921 S 5/2001 Bonn
6,359,243 B1 3/2002 Nakade et al.
D473,306 S 4/2003 Motoki et al.

(Continued)

Primary Examiner — Rhea Shields

(74) *Attorney, Agent, or Firm* — Middleton Reutlinger

(57) **CLAIM**

The ornamental design for a robotic interface, as shown and described.

DESCRIPTION

FIG. 1 is a perspective view of an embodiment of a robotic interface;

FIG. 2 is a first end view of the robotic interface of FIG. 1;

FIG. 3 is a top view of the robotic interface of FIG. 1;

FIG. 4 is a second end view of the robotic interface of FIG. 1;

FIG. 5 is a top perspective view of the robotic interface of FIG. 1;

FIG. 6 is a top left perspective view of the second end of the robotic interface of FIG. 1;

FIG. 7 is a top right perspective view of the second end of the robotic interface of FIG. 1;

FIG. 8 is a bottom left perspective view of the second end of the robotic interface of FIG. 1;

FIG. 9 is a bottom right perspective view of the second end of the robotic interface of FIG. 1;

FIG. 10 is a top perspective view of the second end of the robotic interface of FIG. 1;

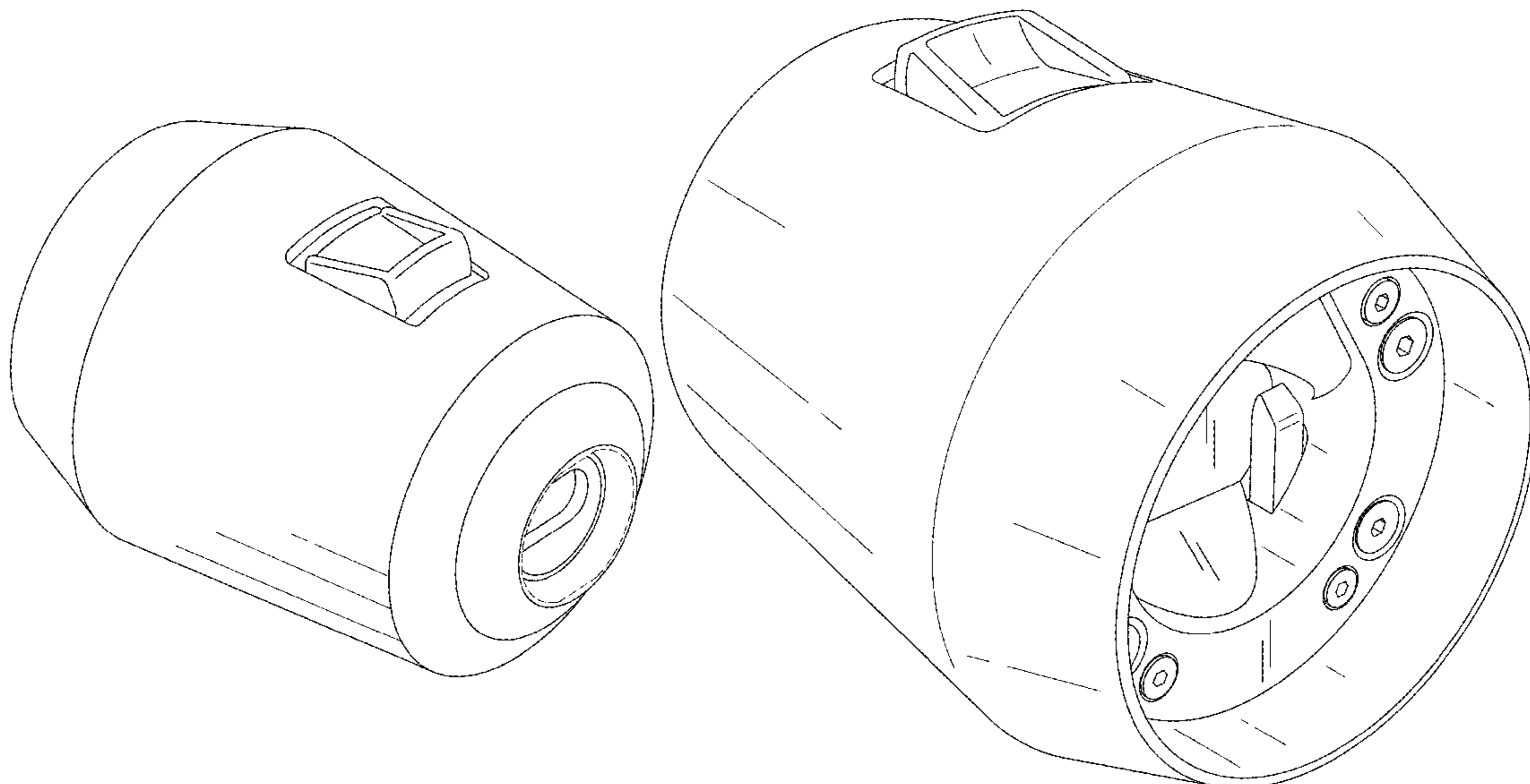
FIG. 11 is a bottom perspective view of the second end of the robotic interface of FIG. 1;

FIG. 12 is a left side perspective view of the second end of the robotic interface of FIG. 1; and,

FIG. 13 is a right side perspective view of the second end of the robotic interface of FIG. 1.

In the drawings, the broken lines are for the purpose of illustrating portions of the robotic interface that forms no part of the claimed design.

1 Claim, 13 Drawing Sheets



(56)

References Cited

U.S. PATENT DOCUMENTS

D559,798	S	1/2008	Neveu	
D601,100	S	9/2009	Wahrenberg	
8,207,466	B2	6/2012	Singh et al.	
8,444,631	B2 *	5/2013	Yeung	A61B 34/30 606/1
D689,827	S	9/2013	Mayer et al.	
D693,004	S *	11/2013	Larsen	D24/164
D700,149	S	2/2014	Carlson et al.	
D701,608	S	3/2014	Baba	
8,834,169	B2	9/2014	Reinkensmeyer et al.	
D716,269	S	10/2014	Kim et al.	
D725,050	S	3/2015	Tsugawa et al.	
D742,770	S	11/2015	Windstrup et al.	
D750,258	S	2/2016	Crossley	
D799,434	S	10/2017	Ott et al.	
D802,040	S *	11/2017	Canoso	D15/199
D820,441	S *	6/2018	Ketelhohn	A61M 1/86 D24/129
D840,360	S	2/2019	Scott	
D841,068	S *	2/2019	Kim	B25J 9/047 D15/199
D844,571	S	4/2019	Hoffknecht et al.	
D844,572	S	4/2019	Hoffknecht et al.	
D846,127	S	4/2019	Yang et al.	
D873,418	S	1/2020	Scott	
D880,602	S	4/2020	Ehara et al.	
D882,529	S	4/2020	Scott	
D883,239	S	5/2020	Fujino	
D890,295	S	7/2020	Xu et al.	
D901,682	S *	11/2020	Vuillemin	D24/170
D921,198	S *	6/2021	Girod	D24/152
D941,466	S *	1/2022	Roche	D24/129
D950,062	S *	4/2022	Vuillemin	D24/170
D956,240	S *	6/2022	McBrien	D24/185
2005/0193857	A1	9/2005	Sunadome et al.	

* cited by examiner

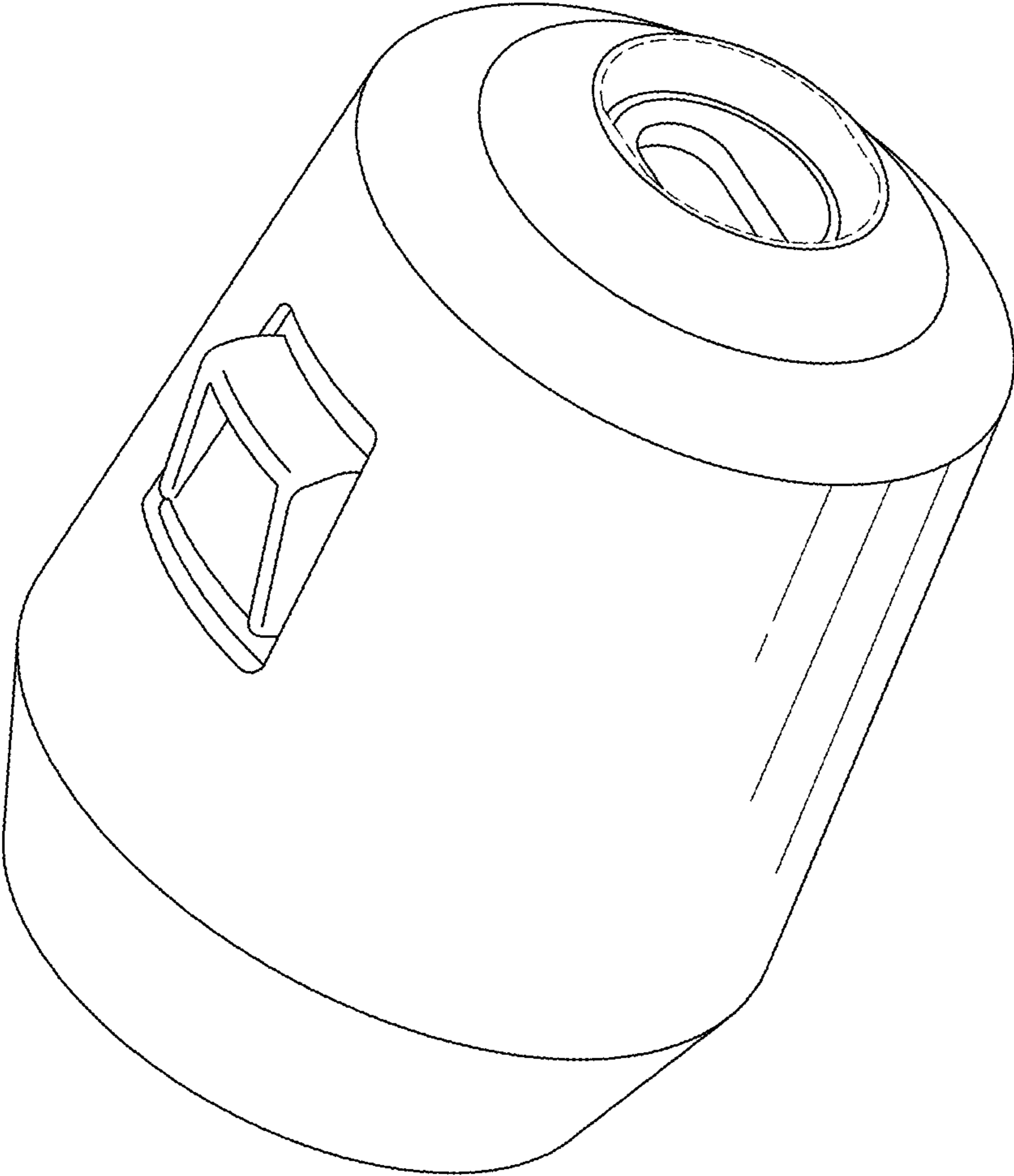


FIG. 1

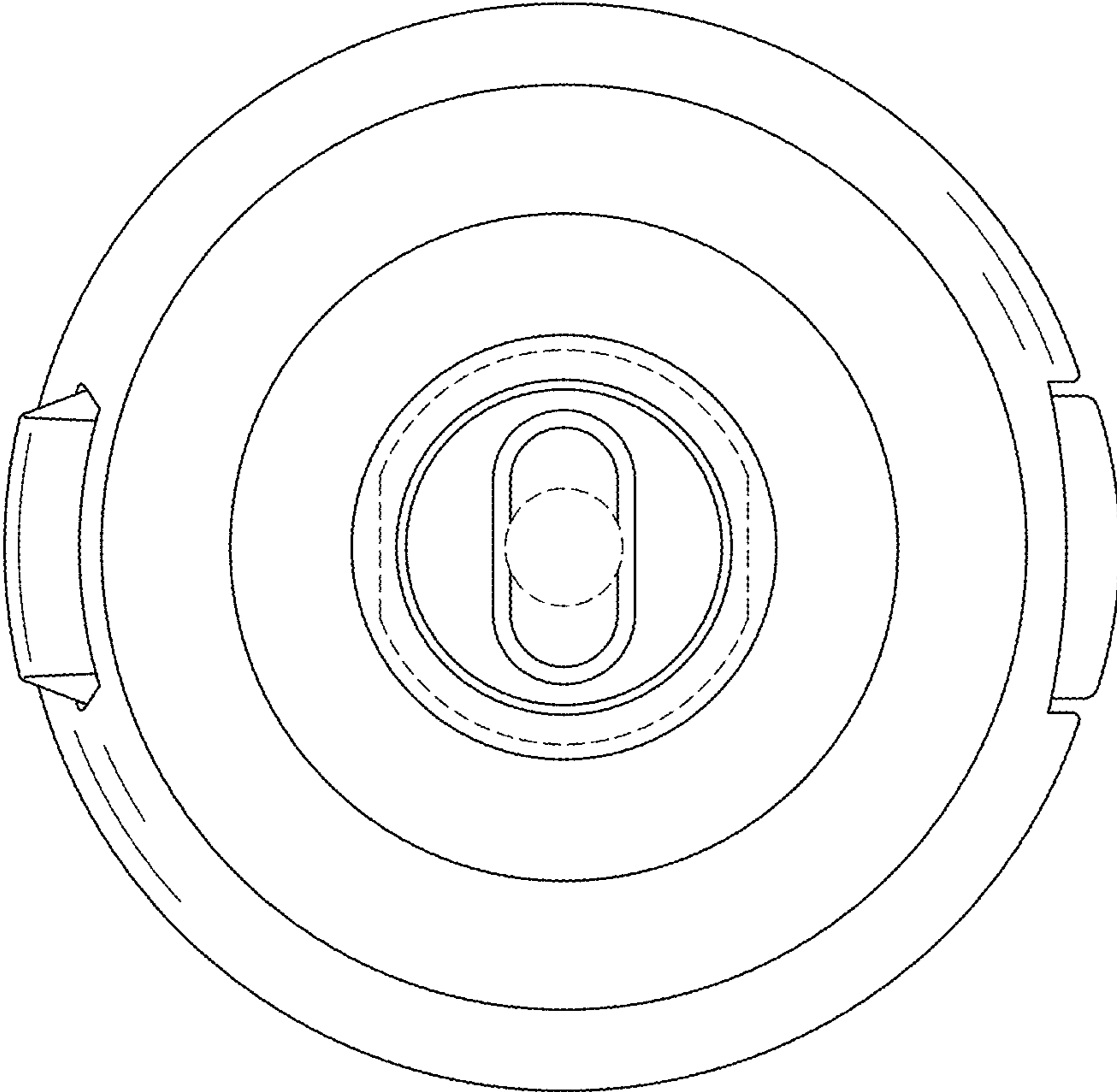


FIG. 2

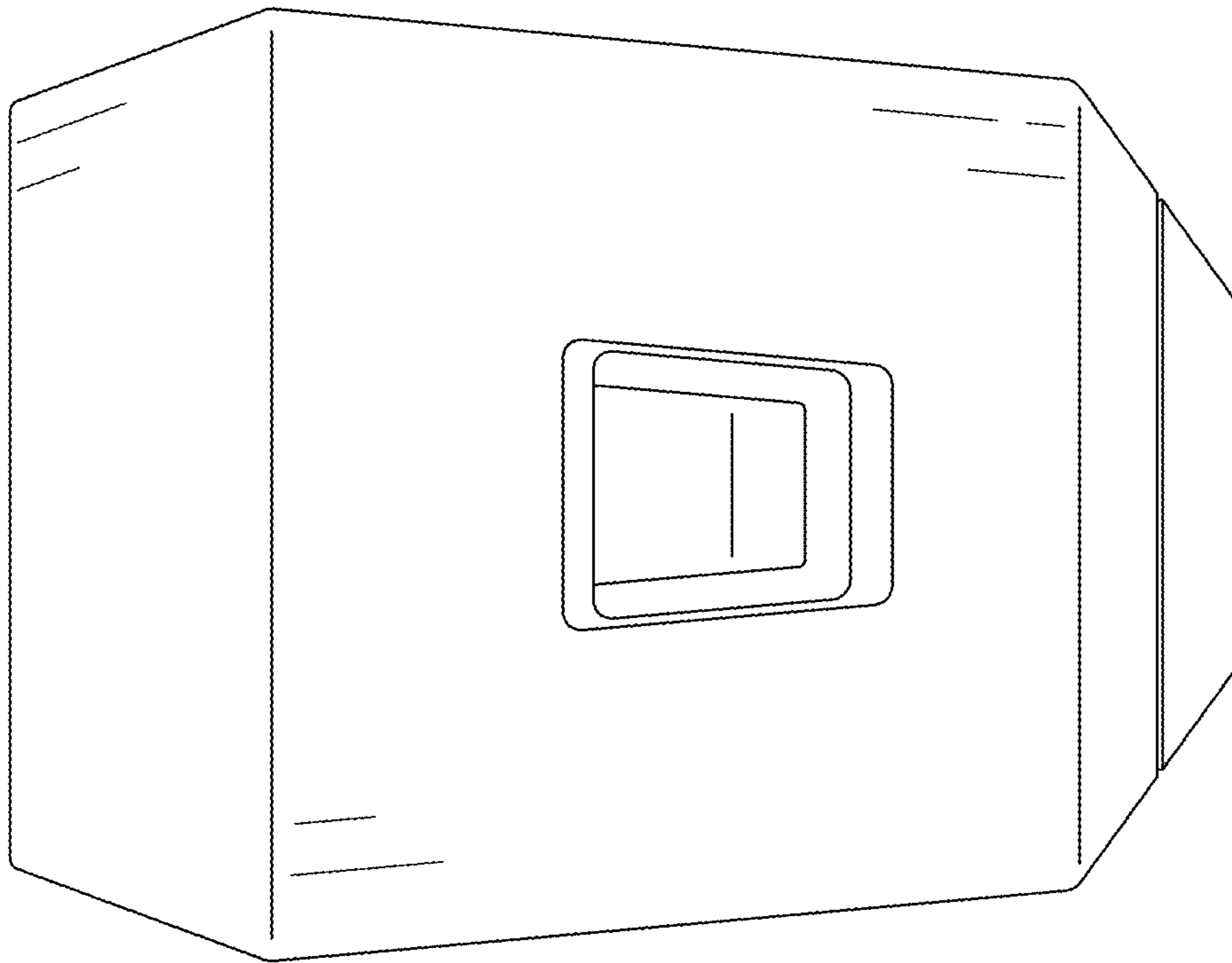


FIG. 3

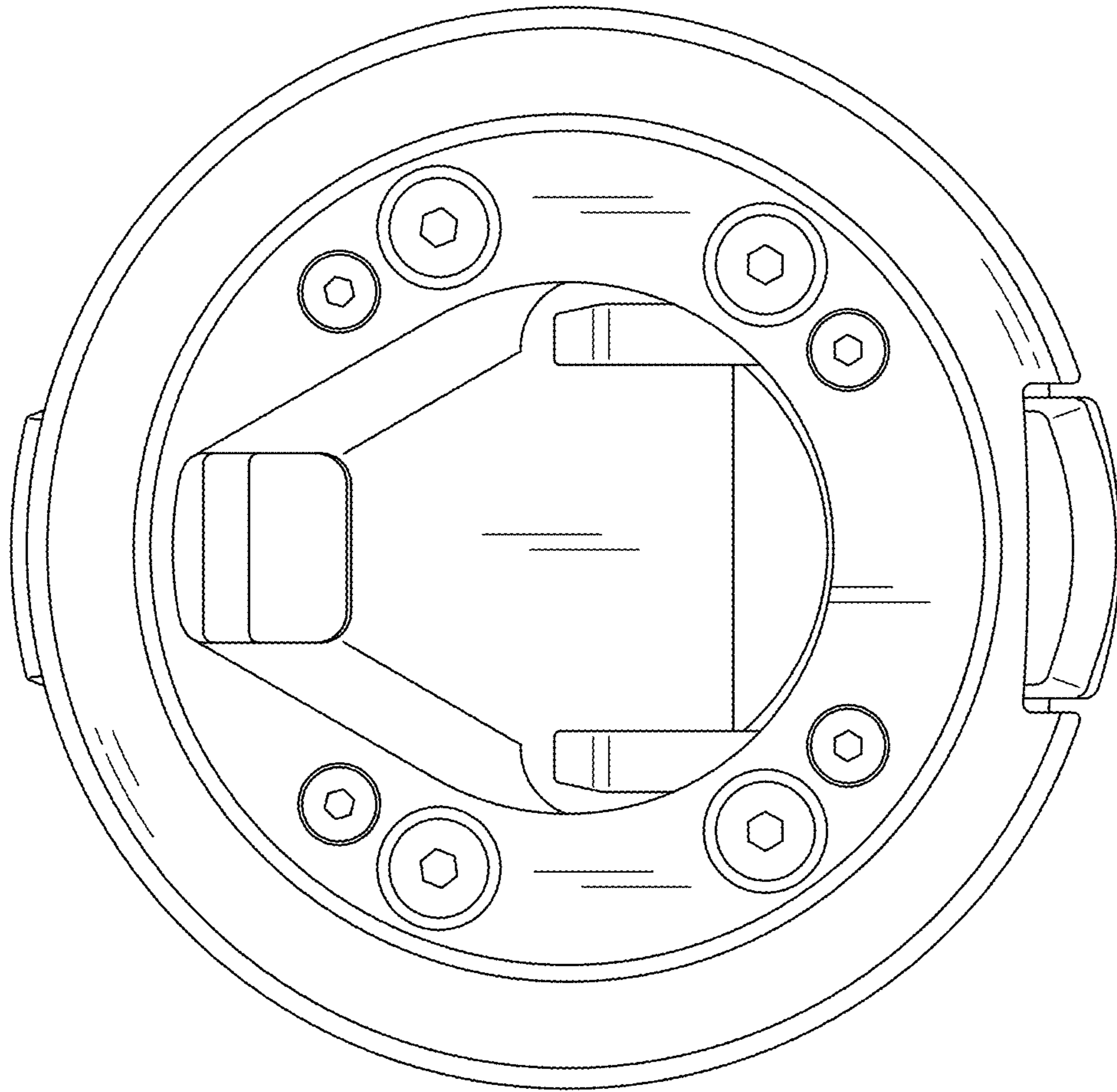


FIG. 4

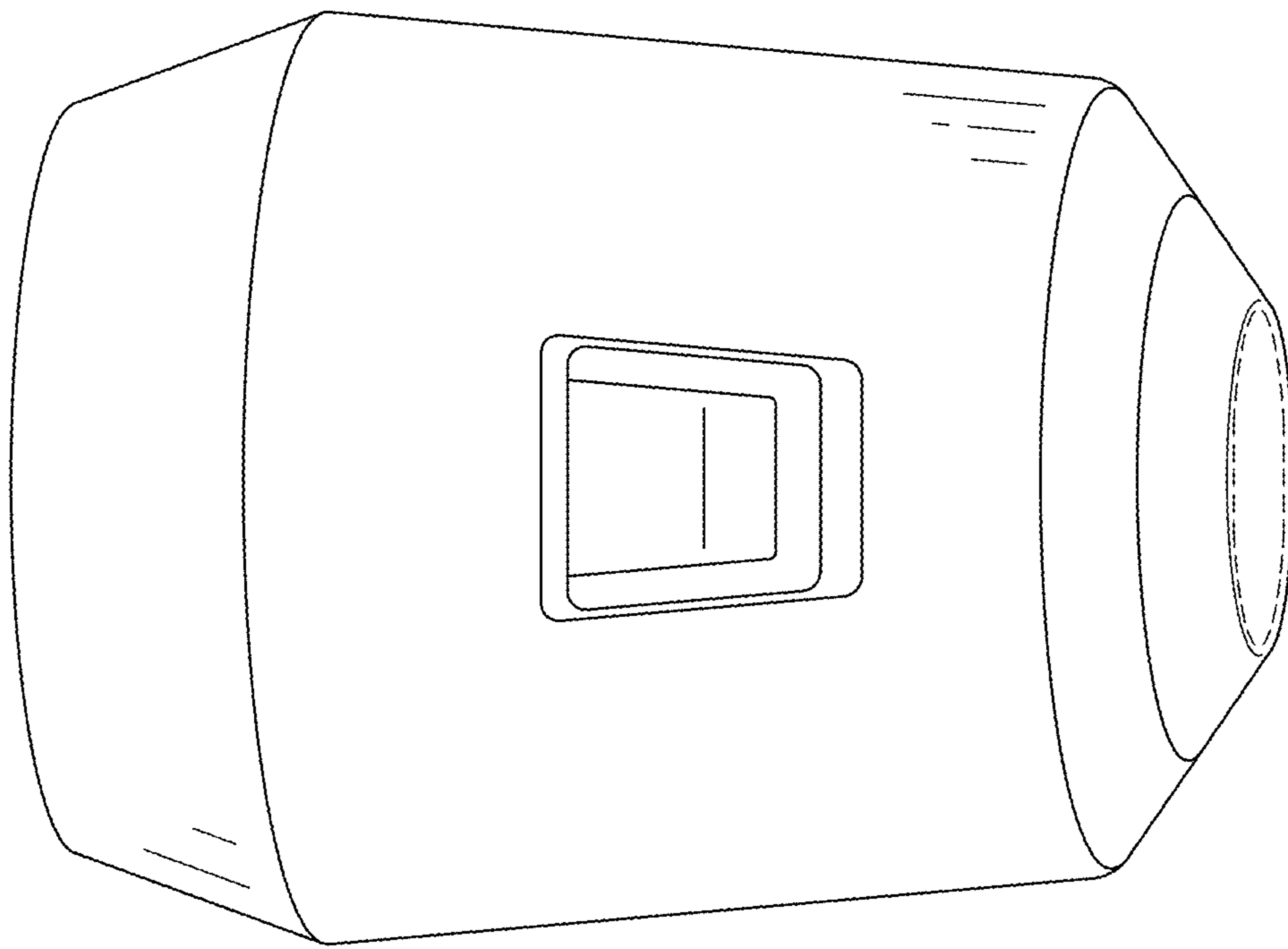


FIG. 5

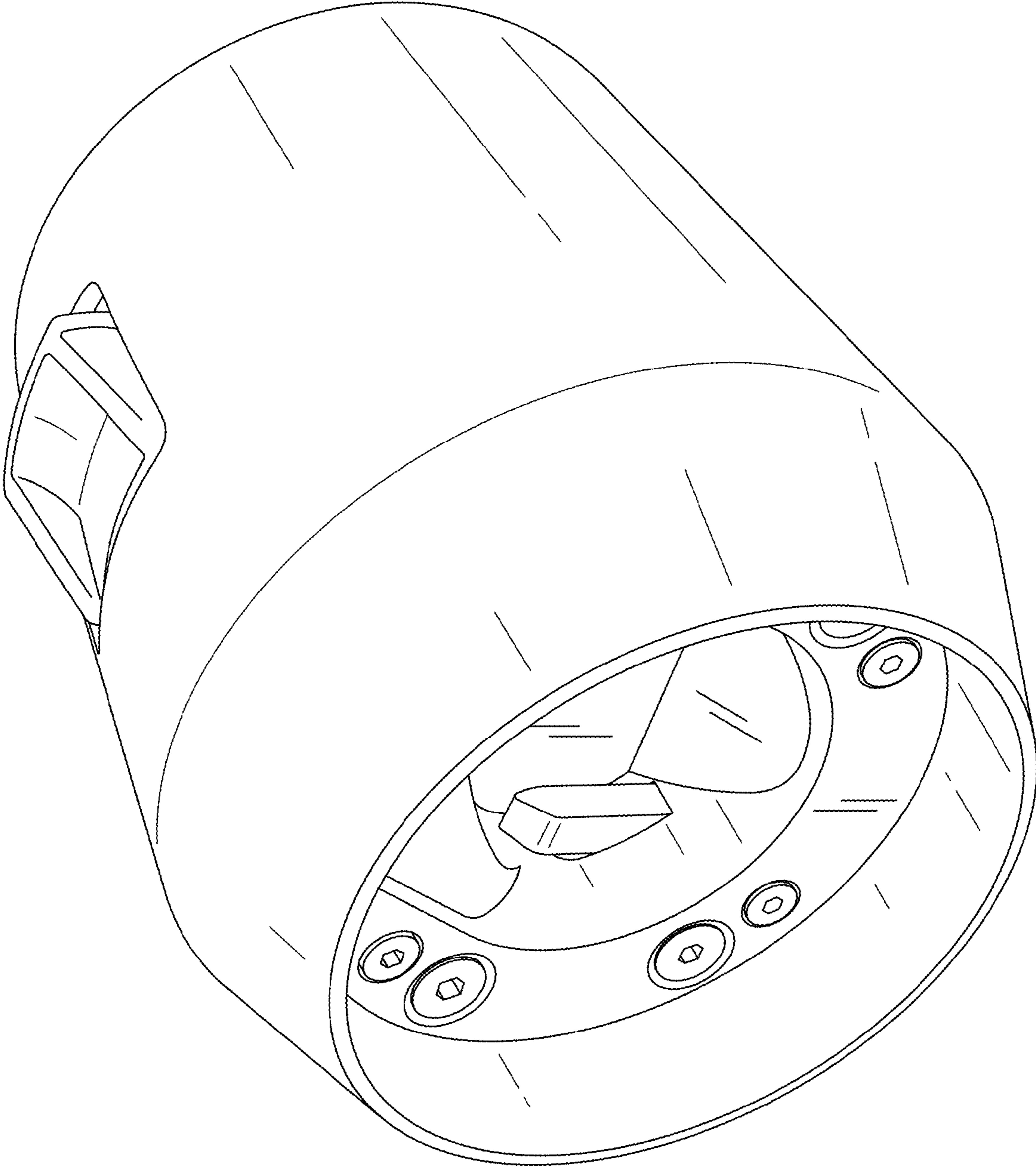


FIG. 6

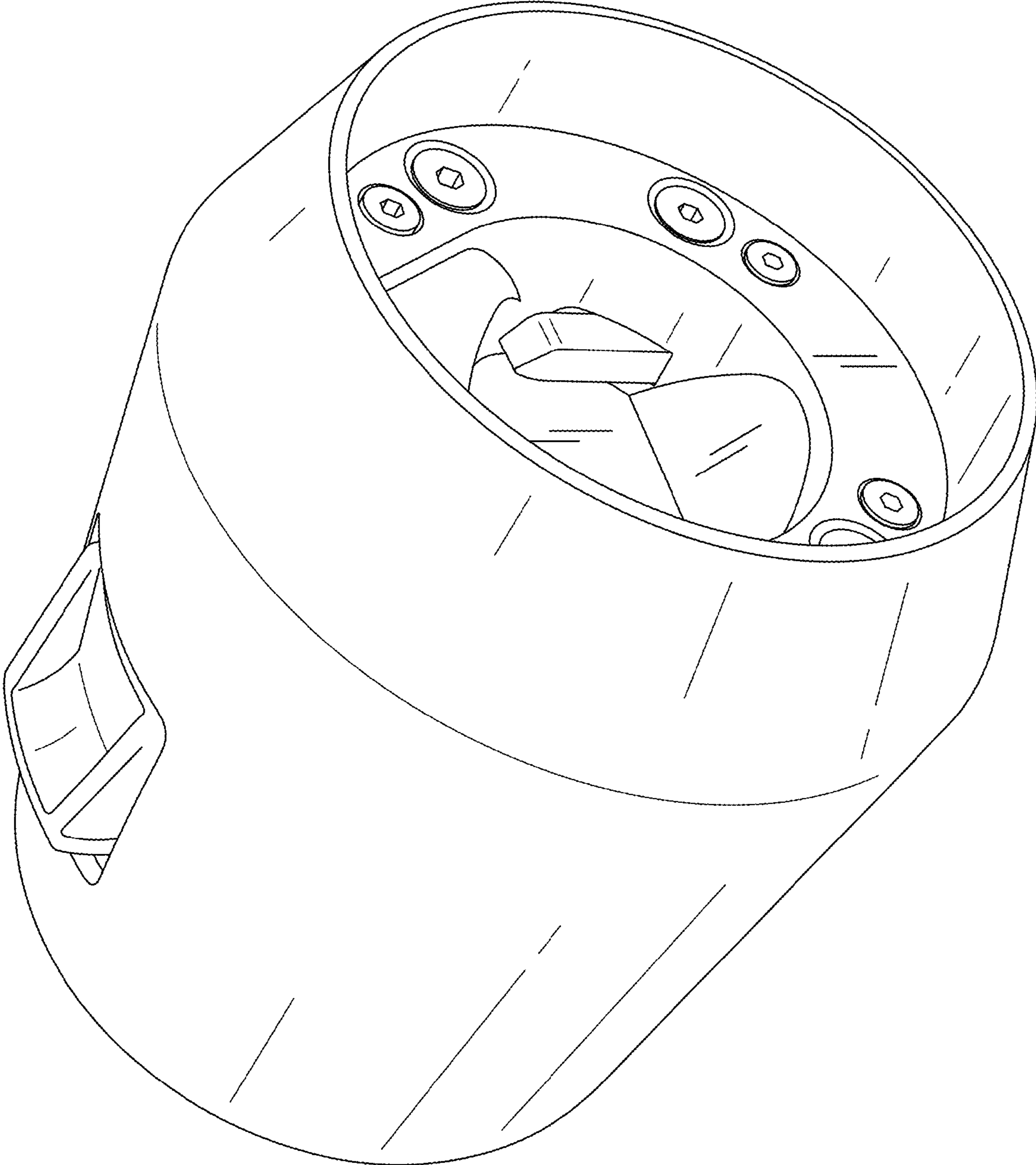


FIG. 7

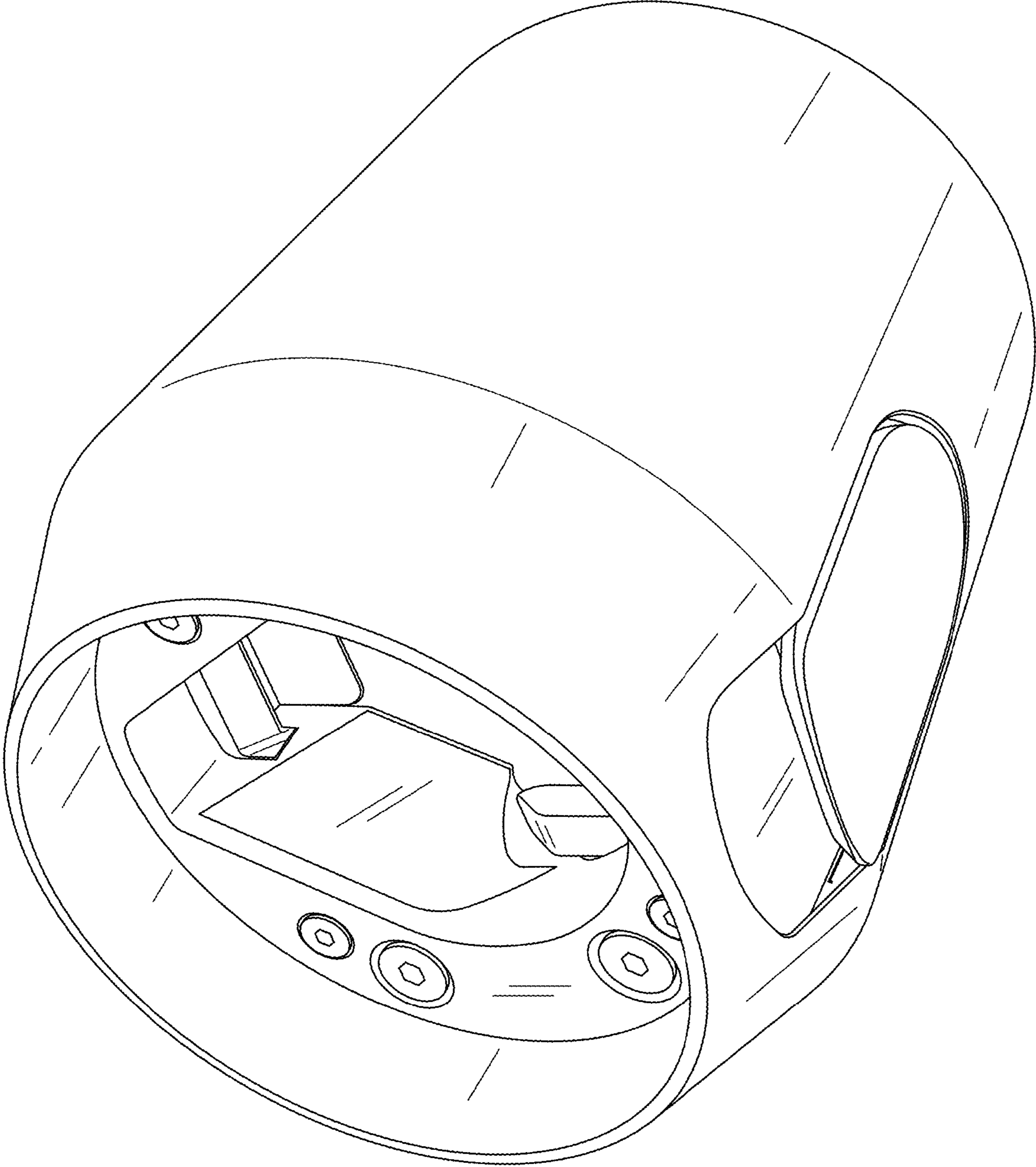


FIG. 8

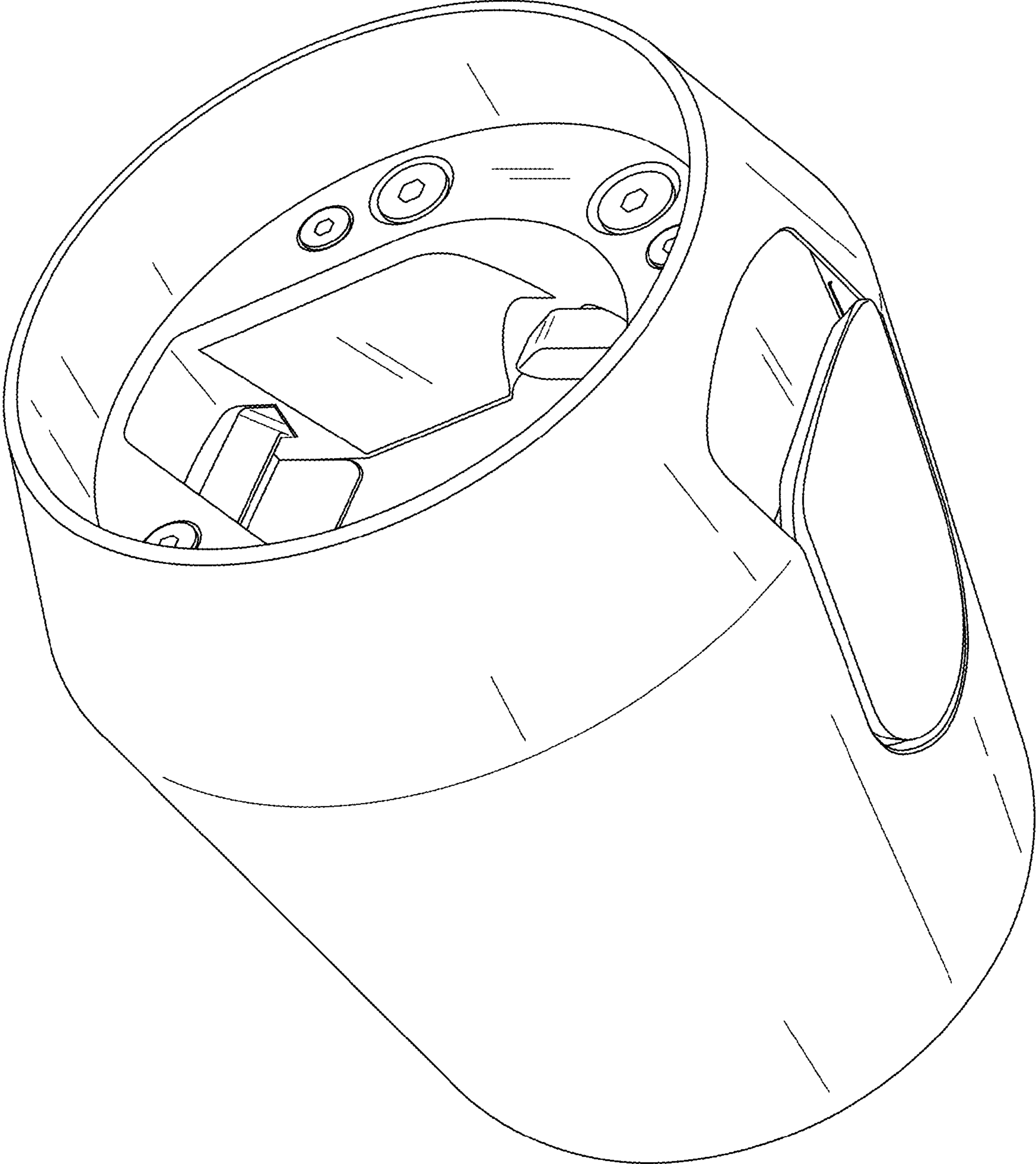


FIG. 9

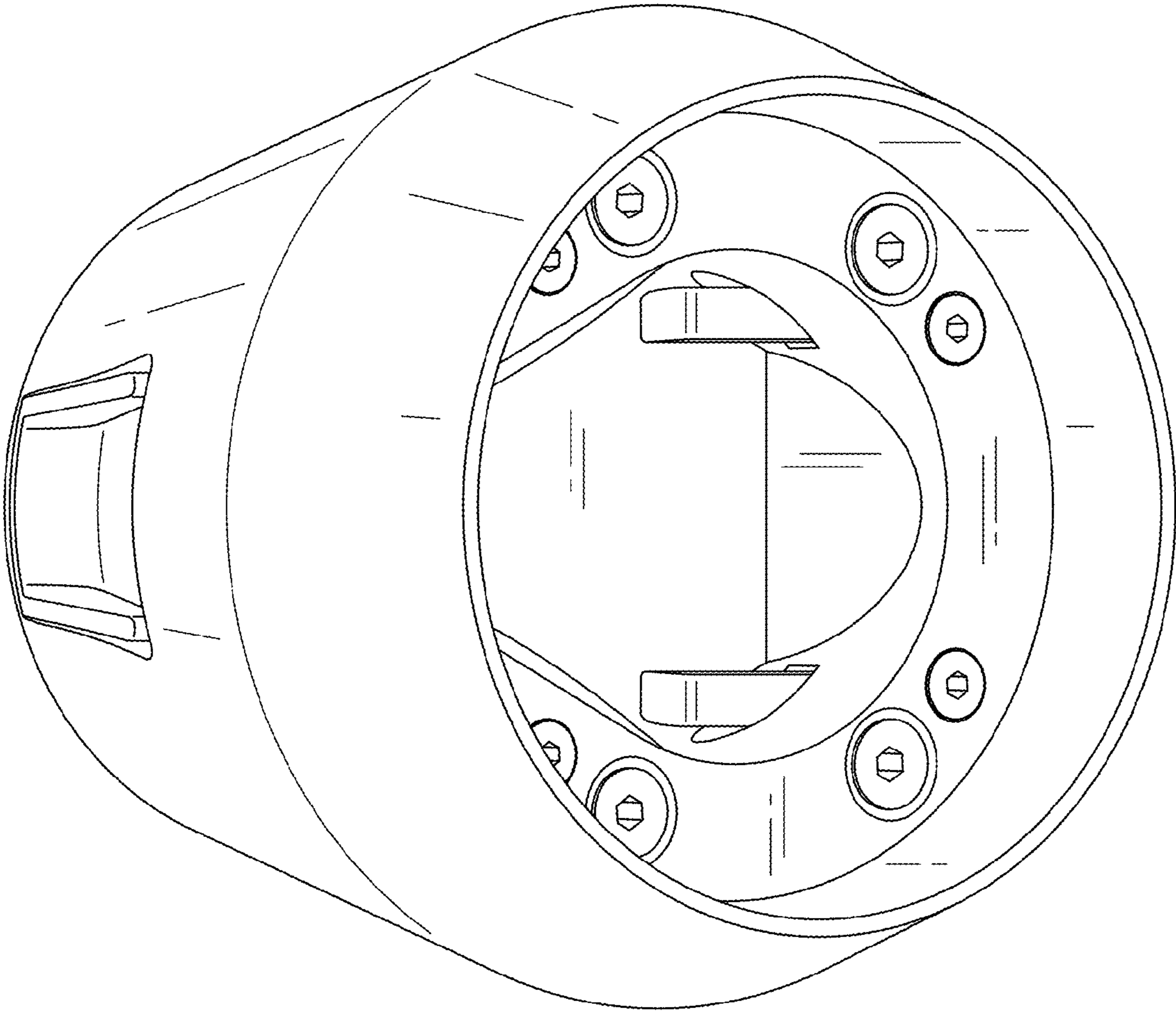


FIG. 10

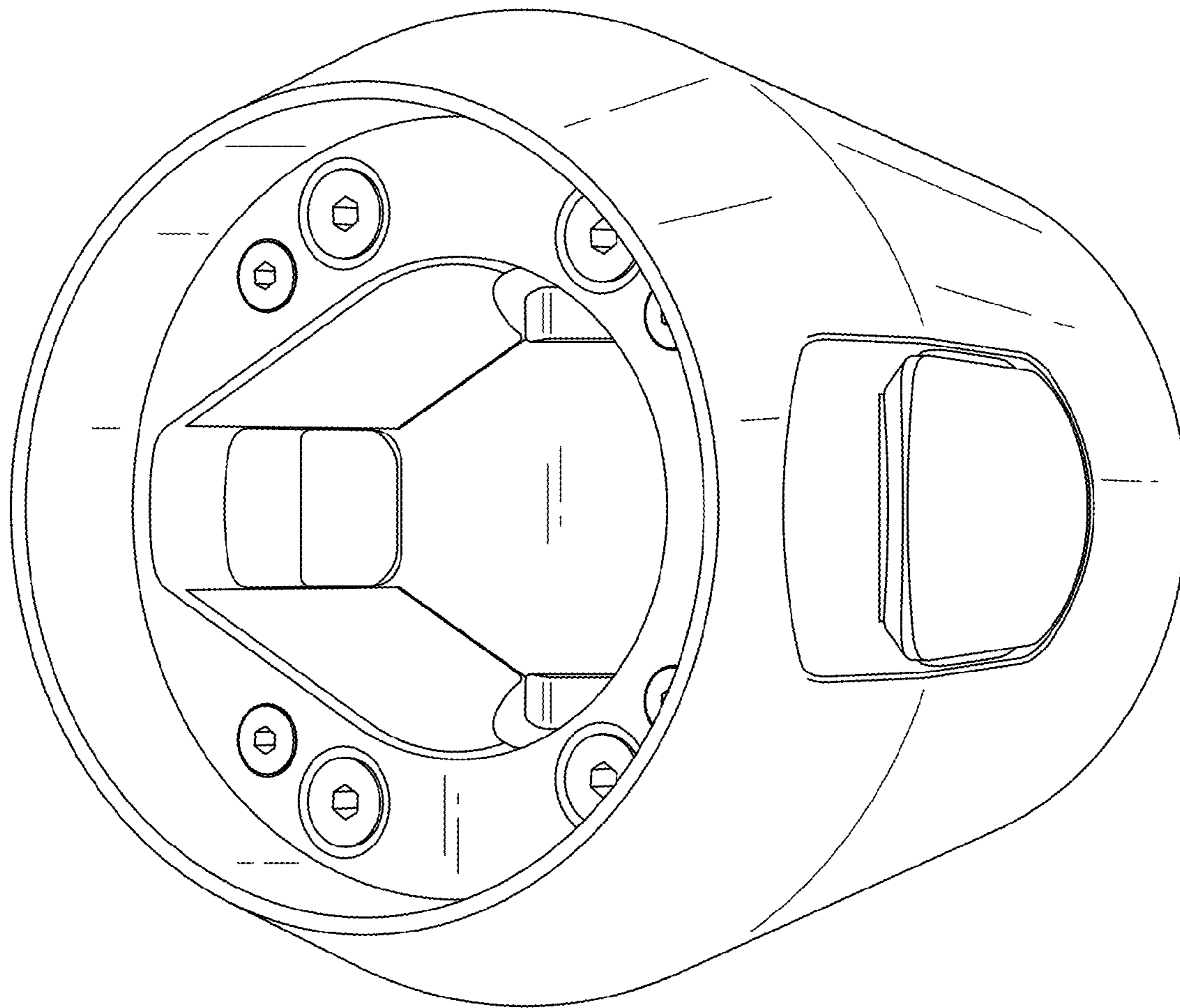


FIG. 11

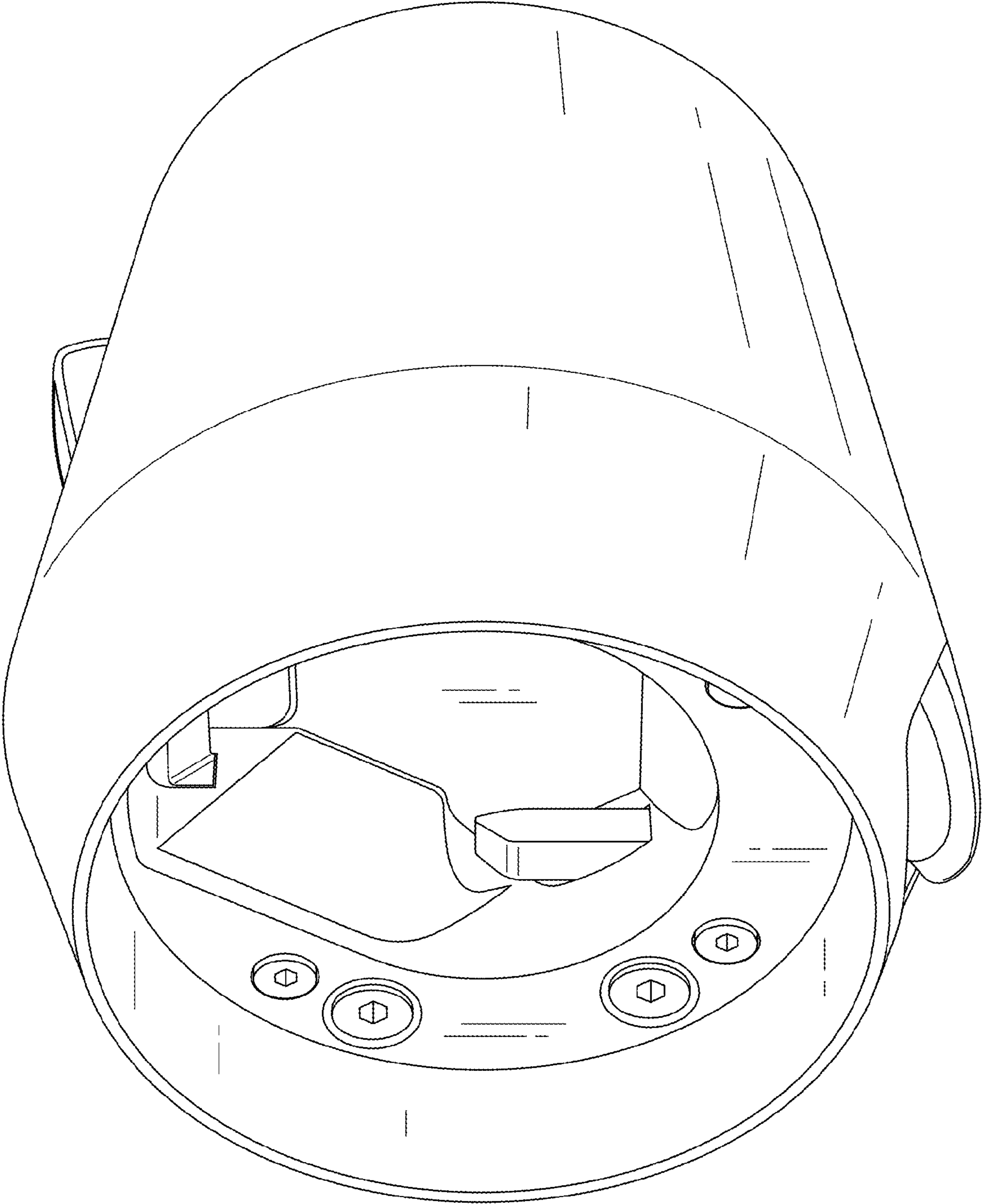


FIG. 12

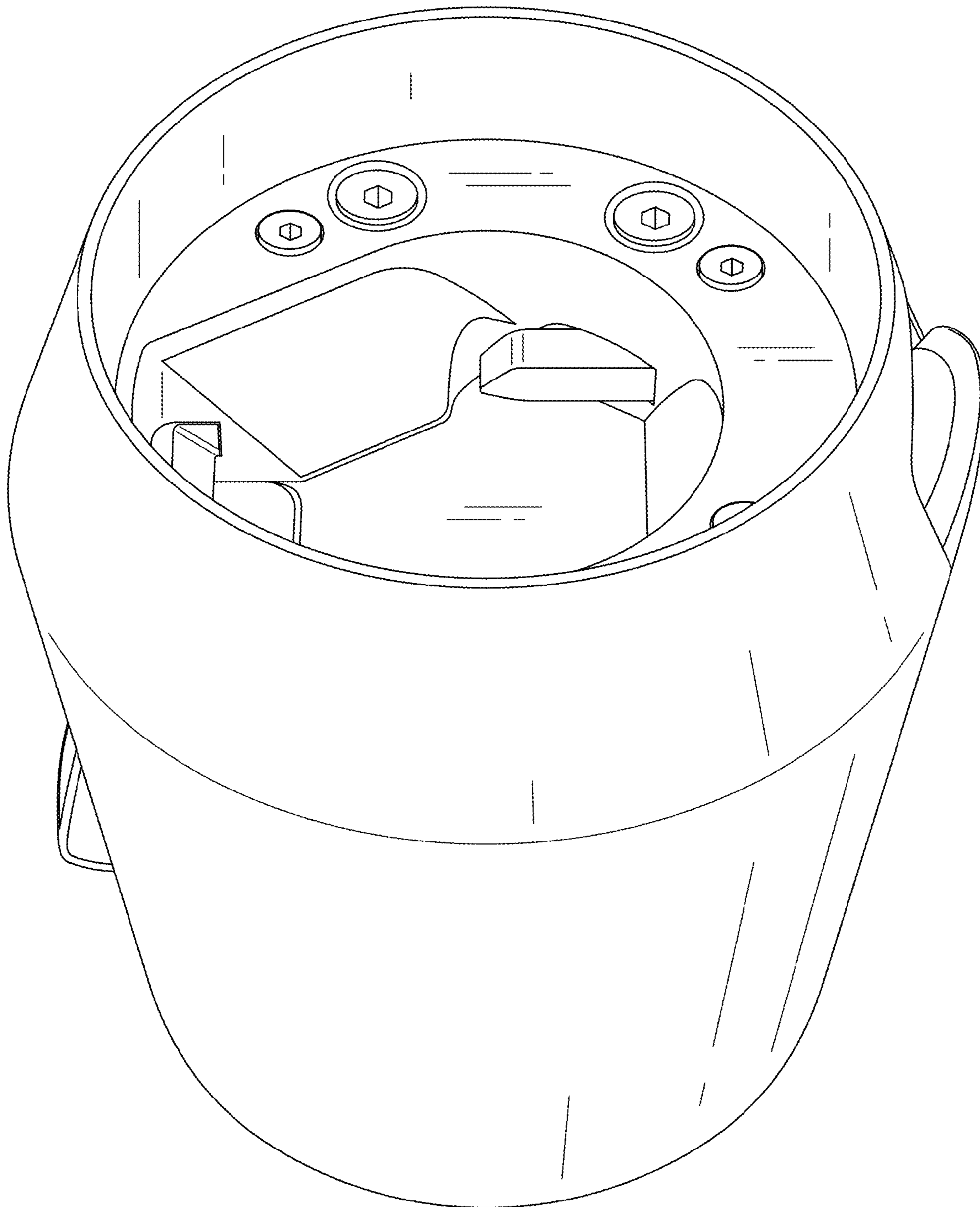


FIG. 13