



US00D973880S

(12) **United States Design Patent** (10) **Patent No.:** **US D973,880 S**
Yi (45) **Date of Patent:** **** Dec. 27, 2022**

(54) **OXIMETER**

(71) Applicant: **Shenzhen Yimi Life Technology Co., Ltd.**, Shenzhen (CN)

(72) Inventor: **Yao Yi**, Shenzhen (CN)

(73) Assignee: **Shenzhen Yimi Life Technology Co., Ltd.**, Shenzhen (CN)

(**) Term: **15 Years**

(21) Appl. No.: **29/807,278**

(22) Filed: **Sep. 10, 2021**

(51) **LOC (13) Cl.** **24-02**

(52) **U.S. Cl.**
USPC **D24/169; D24/167**

(58) **Field of Classification Search**
USPC D24/107, 164–169, 185–187; D10/98, D10/75, 70; D14/344
CPC A61B 5/0404; A61B 5/021; A61B 5/024; A61B 5/02438; A61B 5/681; A61B 5/0402; A61B 2560/0462; A61B 5/0205; A61B 5/0247; A61B 5/14552; A61B 5/6626; A61B 5/6638; G01N 33/66; G01N 33/49; G01N 33/493

See application file for complete search history.

(56) **References Cited**

U.S. PATENT DOCUMENTS

4,809,700	A	*	3/1989	Castelli	A61B 5/25
						D24/186
D392,740	S	*	3/1998	Yung	D24/169
D434,150	S	*	11/2000	Tumey	D24/111
D524,444	S	*	7/2006	Tomioka	D24/186
D548,128	S	*	8/2007	Andren	D11/3
D550,112	S	*	9/2007	Andren	D11/3
D553,536	S	*	10/2007	Andren	D11/3
D570,711	S	*	6/2008	Dorsz	D10/32
D584,974	S	*	1/2009	Fukuda	D10/70
D597,211	S	*	7/2009	Ewing	D24/187

D601,257	S	*	9/2009	Berlinger	D24/186
D603,966	S	*	11/2009	Jones	D24/165
D610,688	S	*	2/2010	Donars	D24/169
D615,655	S	*	5/2010	Maser	D24/169
D632,202	S	*	2/2011	Rodarmel	D11/3
D639,956	S	*	6/2011	Bain	D24/169
D646,391	S	*	10/2011	Ibuki	D24/165
D663,422	S	*	7/2012	Missanelli	D24/169
D664,880	S	*	8/2012	Cobbett	D11/3

(Continued)

OTHER PUBLICATIONS

McKesson Fingertip Pulse Oximeter, [site visited Jul. 12, 2022]. Available from Internet. URL: https://www.carewell.com/product/mckesson-fingertip-pulse-oximeter/?sku=16-93651-EA1&g_network=x&g_productchannel=online&g_adid=&g_keyw... (Year: 2022).*

(Continued)

Primary Examiner — T Chase Nelson

Assistant Examiner — Kelly L Gross

(74) *Attorney, Agent, or Firm* — True Shepherd LLC; Andrew C. Cheng

(57) **CLAIM**

The ornamental design for an oximeter, as shown and described.

DESCRIPTION

FIG. 1 is a perspective view of an oximeter showing my new design;

FIG. 2 is another perspective view thereof;

FIG. 3 is a front view thereof;

FIG. 4 is a rear view thereof;

FIG. 5 is a left side view thereof;

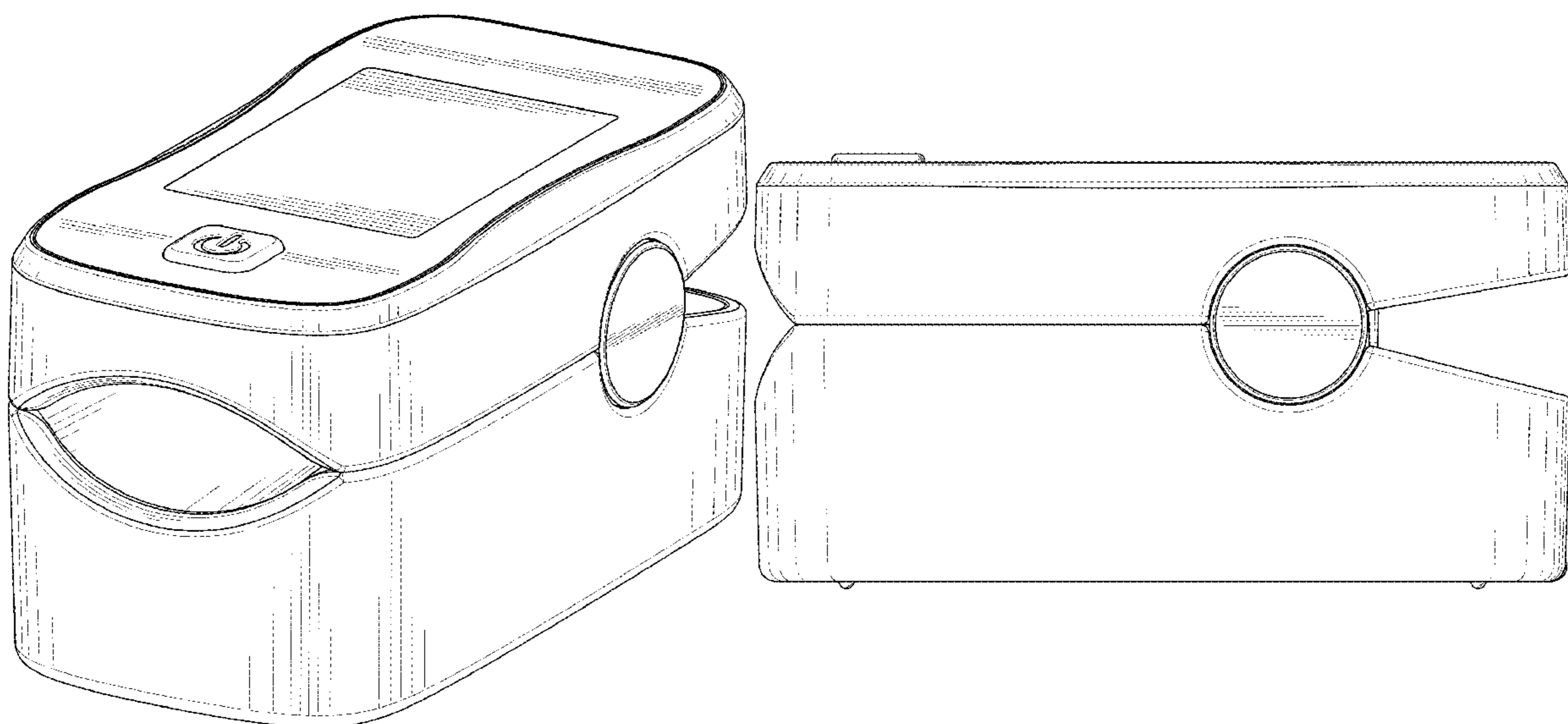
FIG. 6 is a right side view thereof;

FIG. 7 is a top plan view thereof; and,

FIG. 8 is a bottom plan view thereof.

The broken lines depict portions of the oximeter and form no part of the claimed design.

1 Claim, 8 Drawing Sheets



(56)

References Cited

U.S. PATENT DOCUMENTS

- D664,881 S * 8/2012 Cobbett D11/3
D664,882 S * 8/2012 Cobbett D11/3
D668,340 S * 10/2012 Wang D24/165
D670,388 S * 11/2012 Jin D24/165
D676,137 S * 2/2013 Lindberg D24/187
D678,533 S * 3/2013 Bernstein D24/187
D688,584 S * 8/2013 Cobbett D11/3
D691,726 S * 10/2013 Jin D24/169
D695,406 S * 12/2013 Tsai D24/169
D716,174 S * 10/2014 Tsang D11/3
D718,455 S * 11/2014 Maser D24/169
D718,866 S * 12/2014 Law D24/167
D719,264 S * 12/2014 Law D24/167
D719,659 S * 12/2014 Wada D24/169
D721,177 S * 1/2015 Ahlstrom D24/169
D725,768 S * 3/2015 Eustis D24/165
D726,571 S * 4/2015 Kovach D11/3
D727,183 S * 4/2015 Park D10/70
D728,394 S * 5/2015 Au Yeung D10/70
D733,305 S * 6/2015 Miyashita D24/169
D737,699 S * 9/2015 Chang D10/70
D739,943 S * 9/2015 Pernu D24/167
D739,944 S * 9/2015 Pernu D24/167
D747,490 S * 1/2016 Harkin D24/169
D750,786 S * 3/2016 Davies D24/169
D751,210 S * 3/2016 Thomas D24/186
D753,314 S * 4/2016 Stivoric D24/187
D755,787 S * 5/2016 Zander D14/344
D758,900 S * 6/2016 Garner D10/70
D760,395 S * 6/2016 Barbaric D24/186
D781,164 S * 3/2017 Haapakoski D10/70
D782,045 S * 3/2017 Chou D24/164
D787,067 S * 5/2017 Wightman D24/169
D789,929 S * 6/2017 Tan D14/344
D790,374 S * 6/2017 Lean D10/70
D795,719 S * 8/2017 Lean D10/70
D796,357 S * 9/2017 Park D24/169
D796,363 S * 9/2017 Ross D10/70
D800,313 S * 10/2017 Chang D24/167
D801,527 S * 10/2017 Nishiyama D24/166
D803,709 S * 11/2017 Le Bihan D10/70
D804,335 S * 12/2017 Bihan D10/70
D805,413 S * 12/2017 Chen D10/70
D805,643 S * 12/2017 Wu D24/167
D809,664 S * 2/2018 Ma D24/169
D814,643 S * 4/2018 Mockler D14/344
D822,836 S * 7/2018 Wu D10/38
D824,530 S * 7/2018 Velschow D24/169
D827,838 S * 9/2018 Lillquist D10/38
D830,557 S * 10/2018 Sebban D24/167
D831,521 S * 10/2018 Hodge D11/3
D833,625 S * 11/2018 Guan D14/344
D838,194 S * 1/2019 Mays D10/70
D838,853 S * 1/2019 Lumme D10/70
D840,041 S * 2/2019 Li D14/344
D841,171 S * 2/2019 Li D14/344
D842,719 S * 3/2019 Doan D10/70
D848,875 S * 5/2019 Wildner D10/70
D854,697 S * 7/2019 Yang D24/187
D857,011 S * 8/2019 Kang D14/344
D857,542 S * 8/2019 Sun D11/3
D860,989 S * 9/2019 Choplin D14/344
D863,997 S * 10/2019 Garner D10/70
D867,599 S * 11/2019 Barbaric D24/186
D868,780 S * 12/2019 Doan D14/344
D877,339 S * 3/2020 Xian D24/165
D881,044 S * 4/2020 Nguyen D10/70
D887,405 S * 6/2020 Kozlovskaya D14/344
D893,728 S * 8/2020 Zhao D24/165
D894,398 S * 8/2020 Wei D24/169
D894,399 S * 8/2020 Wei D24/169
D895,613 S * 9/2020 Kozlovskaya D14/344
D895,805 S * 9/2020 Wei D24/169
D901,317 S * 11/2020 Nothacker D10/70
D903,872 S * 12/2020 Wang D24/169
D904,920 S * 12/2020 Harms D14/344
D908,882 S * 1/2021 De Marco D24/165
D908,883 S * 1/2021 Eilevstjønn D24/167
D912,666 S * 3/2021 Bournique D14/344
D912,830 S * 3/2021 Eisen D24/186
D917,304 S * 4/2021 Cabral D10/32
D917,699 S * 4/2021 Lim D24/169
D918,071 S * 5/2021 Nothacker D10/70
D919,095 S * 5/2021 Hwang D24/167
D919,101 S * 5/2021 Jung D24/186
D922,582 S * 6/2021 Peng D24/165
D924,231 S * 7/2021 Zhang D14/344
D925,741 S * 7/2021 Zhang D24/165
D925,742 S * 7/2021 Zhang D24/169
D926,324 S * 7/2021 Zhang D24/167
D928,325 S * 8/2021 Hwang D24/186
D928,647 S * 8/2021 Harms D24/186
D928,963 S * 8/2021 Hwang D24/167
D929,879 S * 9/2021 Paschke D10/70
D930,837 S * 9/2021 Hwang D24/167
D931,467 S * 9/2021 Golda D24/186
D933,235 S * 10/2021 Hwang D14/344
D934,430 S * 10/2021 Jariwala D24/186
D935,617 S * 11/2021 Vardi D24/167
D937,418 S * 11/2021 Byler D24/167
D937,423 S * 11/2021 Albert D24/186
D939,365 S * 12/2021 Nothacker D10/70
D940,330 S * 1/2022 Räisänen D10/70
D944,792 S * 3/2022 Fraboulet D14/344
D948,057 S * 4/2022 Rahman D24/173
D949,345 S * 4/2022 Miryazdi D24/186
D949,720 S * 4/2022 Matsumoto D10/70
D950,549 S * 5/2022 King D14/344
D952,160 S * 5/2022 Kim D24/186
D953,534 S * 5/2022 Li D24/169
D957,640 S * 7/2022 Gohil D24/169
D957,641 S * 7/2022 Li D24/169
2002/0026937 A1 * 3/2002 Mault G01N 33/497
128/200.24
2014/0336493 A1 * 11/2014 Kulach A61B 5/6831
600/390
2017/0319063 A1 * 11/2017 Verdooner A61B 5/4809
2017/0340210 A1 * 11/2017 Chuang A61B 5/02141
2019/0021612 A1 * 1/2019 Lin A61B 5/022
2019/0037919 A1 * 2/2019 Doan G09B 5/02
2019/0110755 A1 * 4/2019 Capodilupo G06K 9/6282
2021/0161470 A1 * 6/2021 Wu A61B 5/6825
2021/0251572 A1 * 8/2021 Gill A61B 5/681
2022/0142529 A1 * 5/2022 Li A61B 5/681
2022/0151492 A1 * 5/2022 Atkin A61B 5/14551

OTHER PUBLICATIONS

ChoiceMMed Pulse Oximeter, [site visited Jul. 12, 2022]. Available from Internet. URL: www.rehabking.com.sg/product/living-aids/choicemmed-pulse-oximeter/ (Year: 2022).*

* cited by examiner

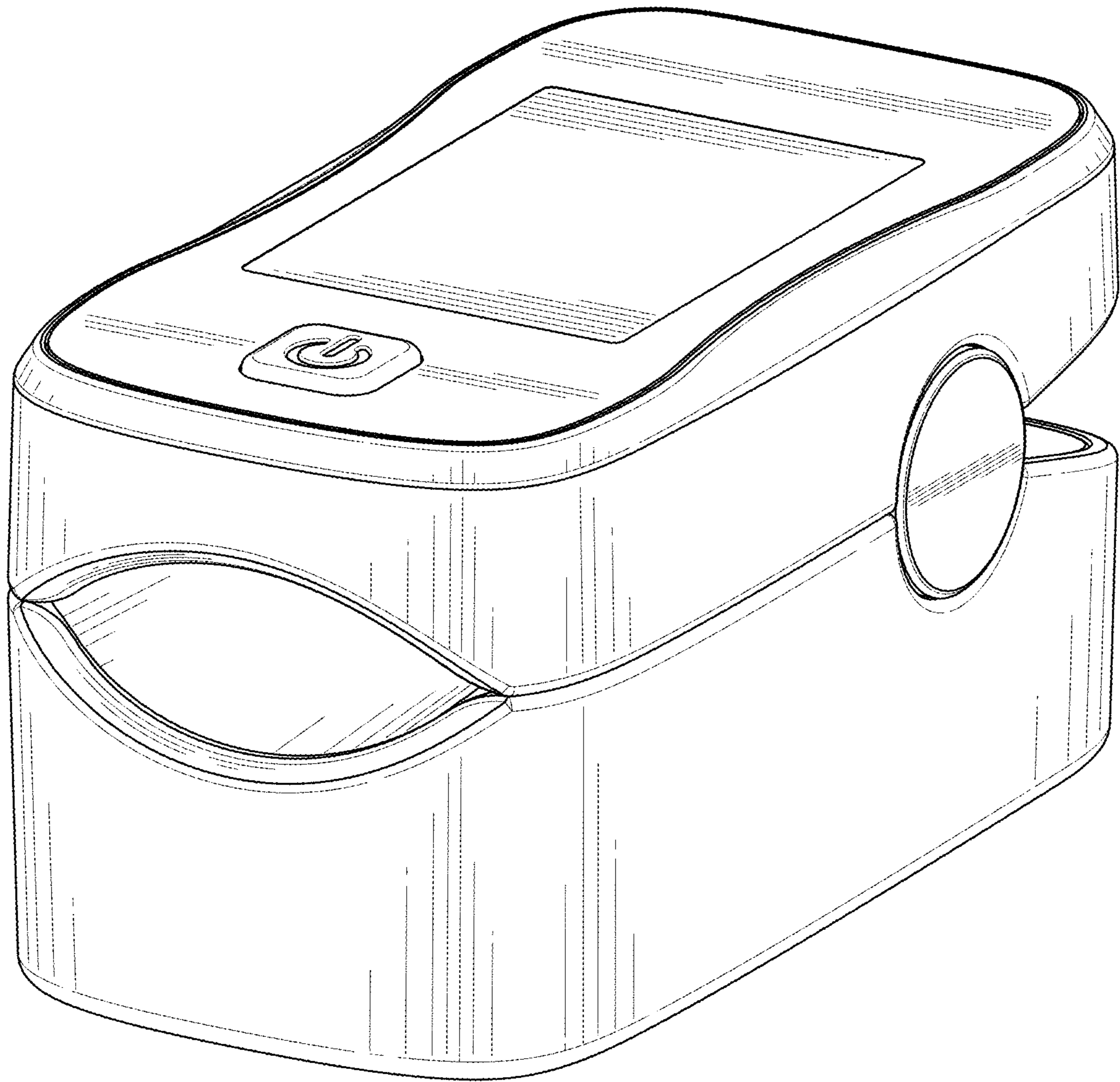


FIG. 1

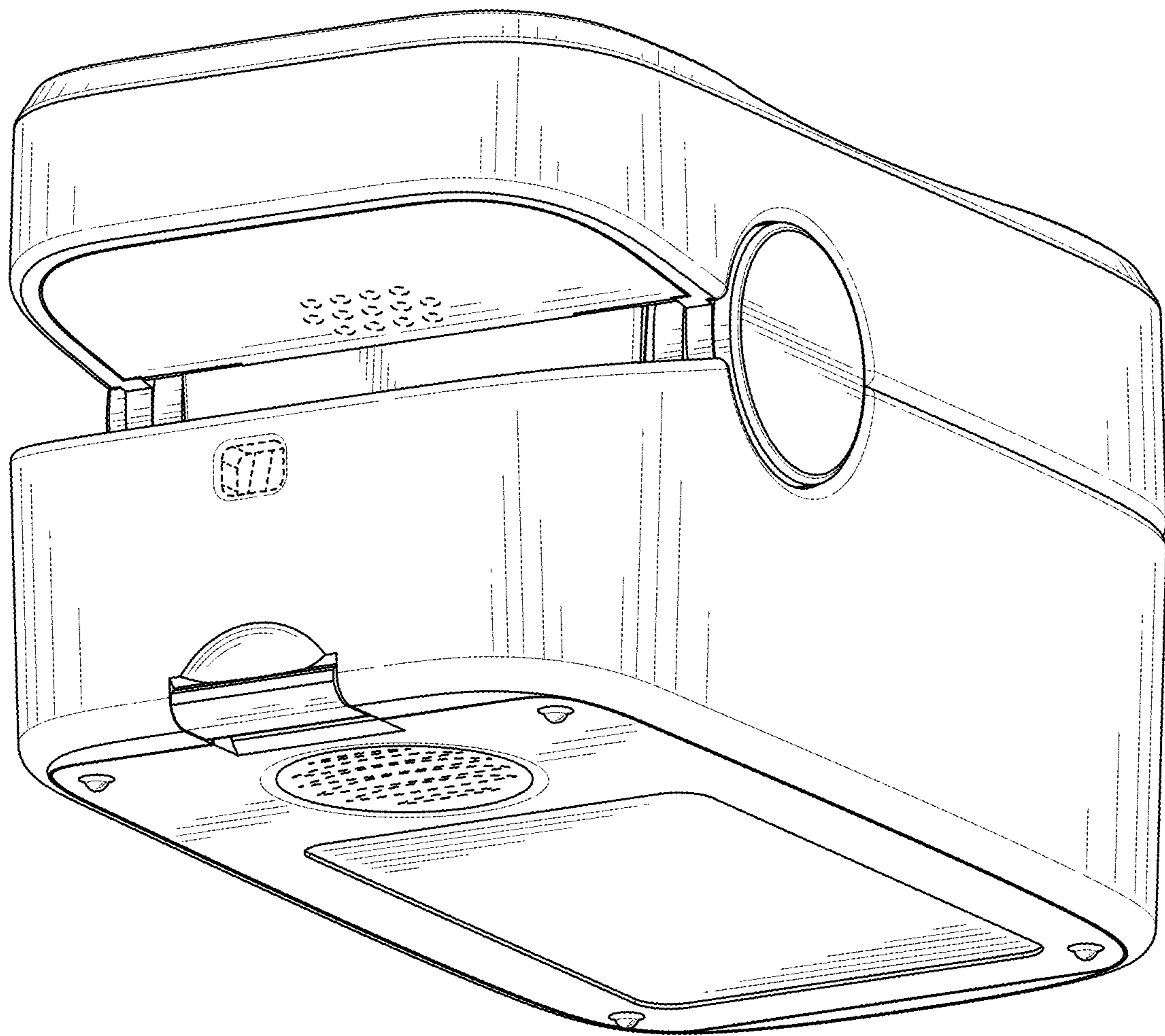


FIG. 2

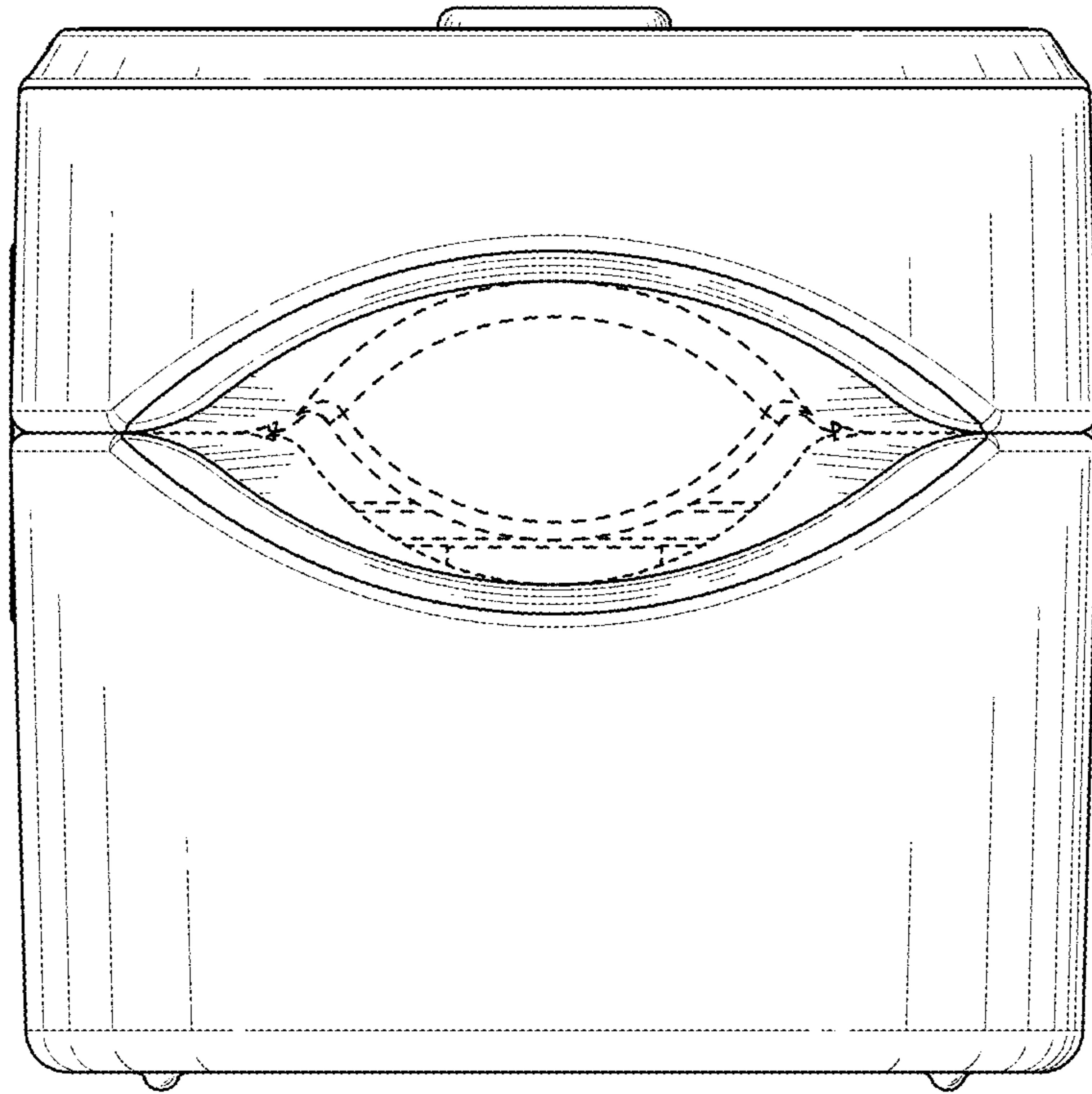


FIG. 3

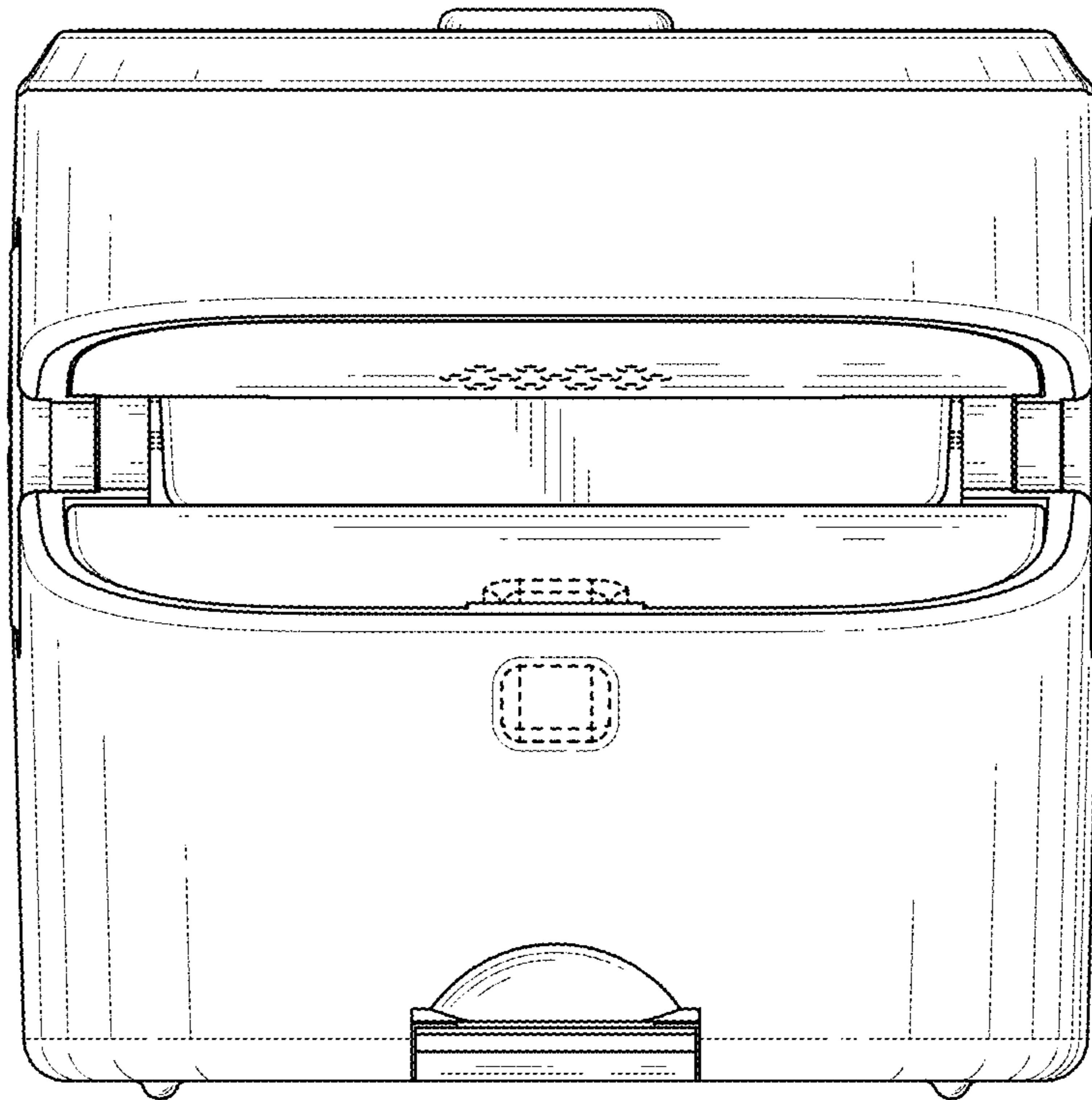


FIG. 4

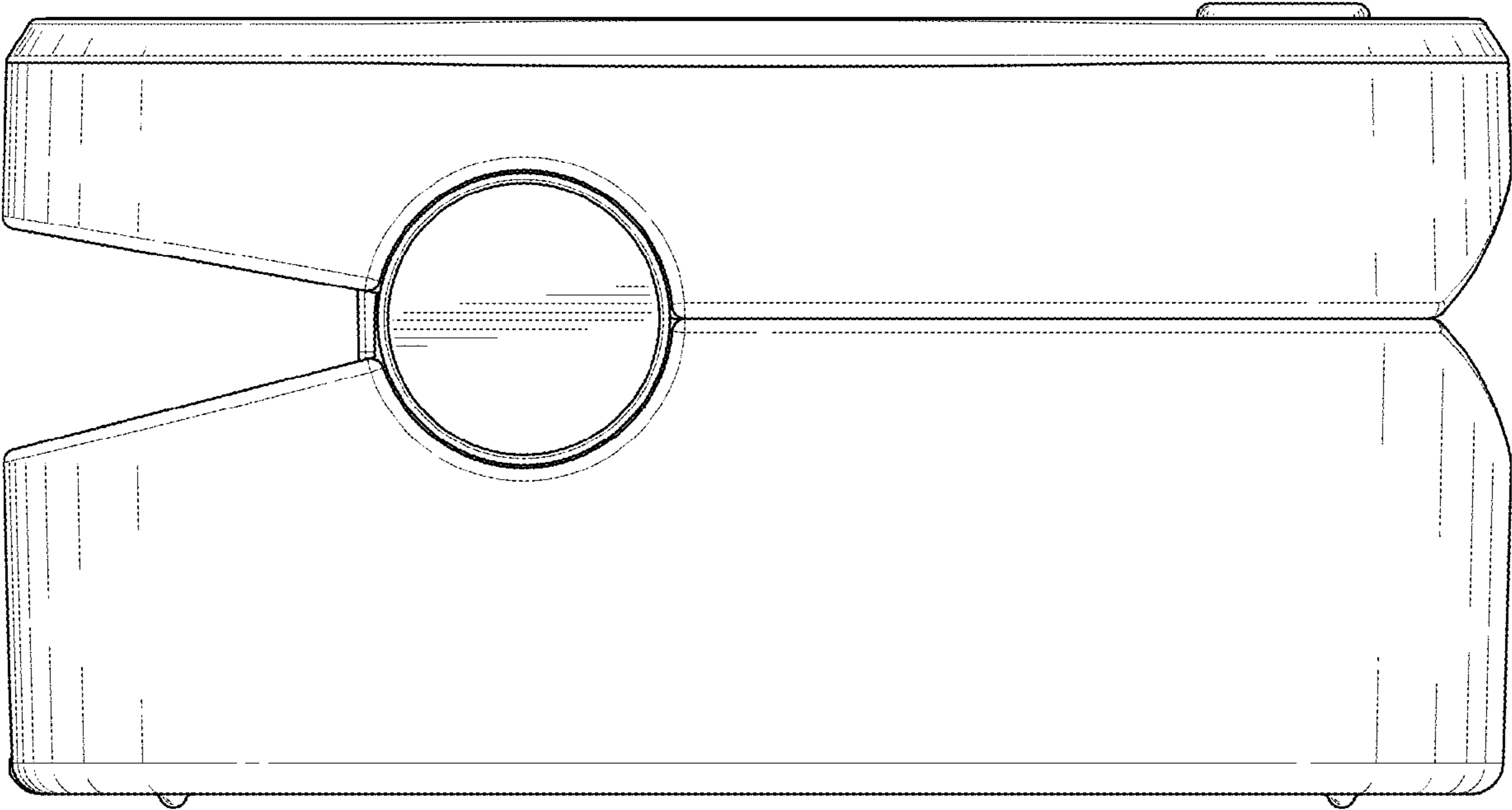


FIG. 5

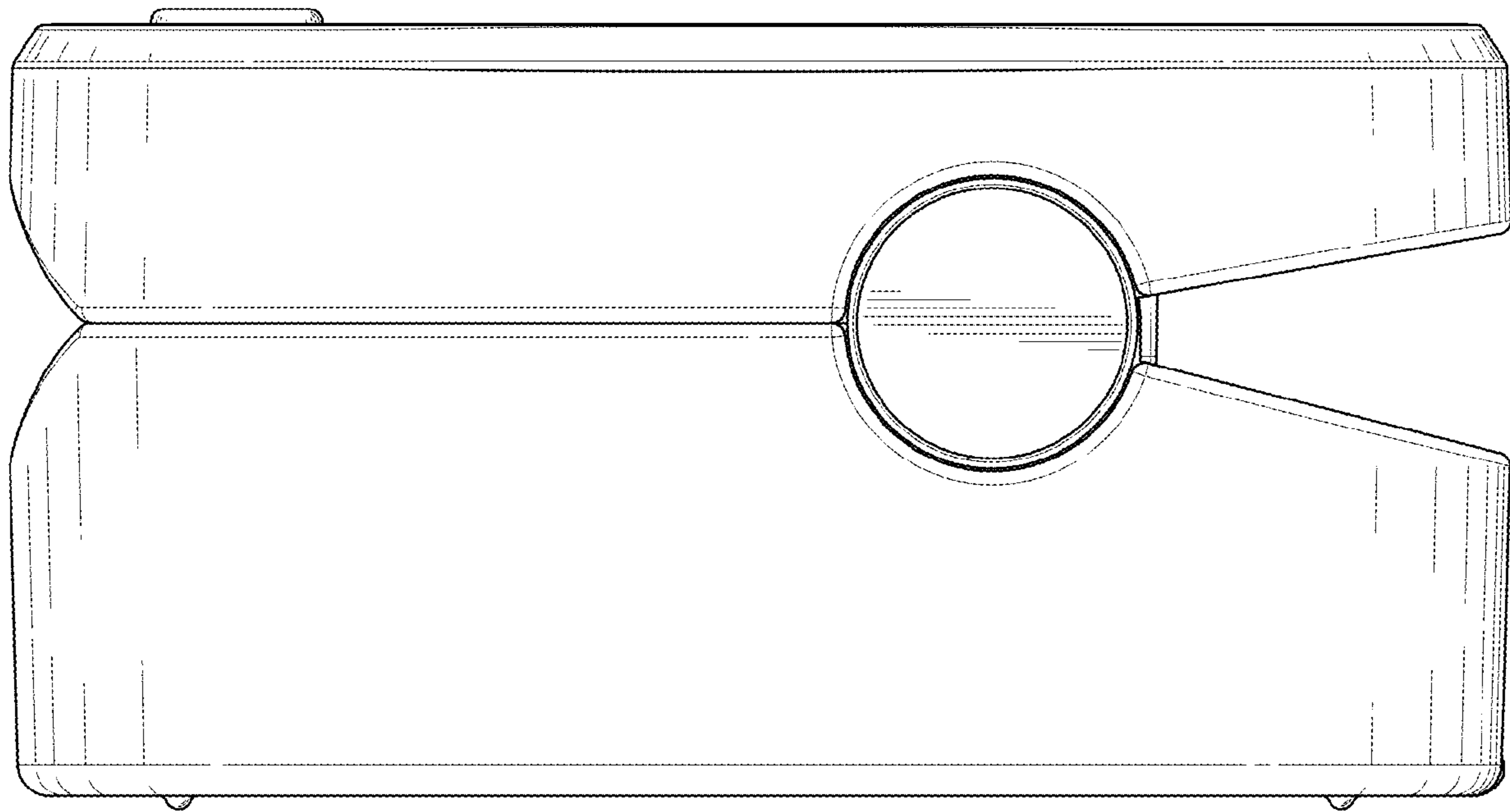


FIG. 6

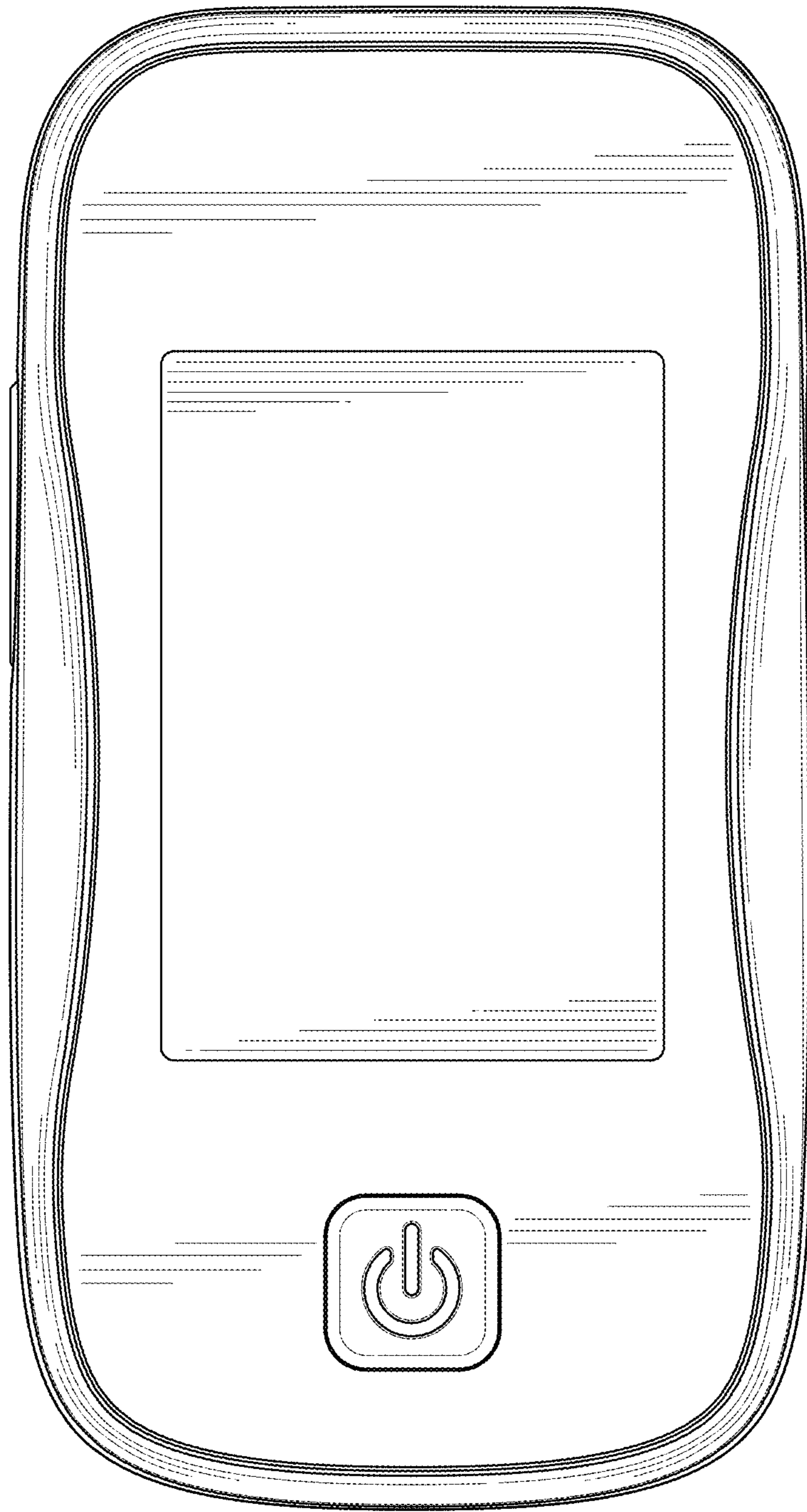


FIG. 7

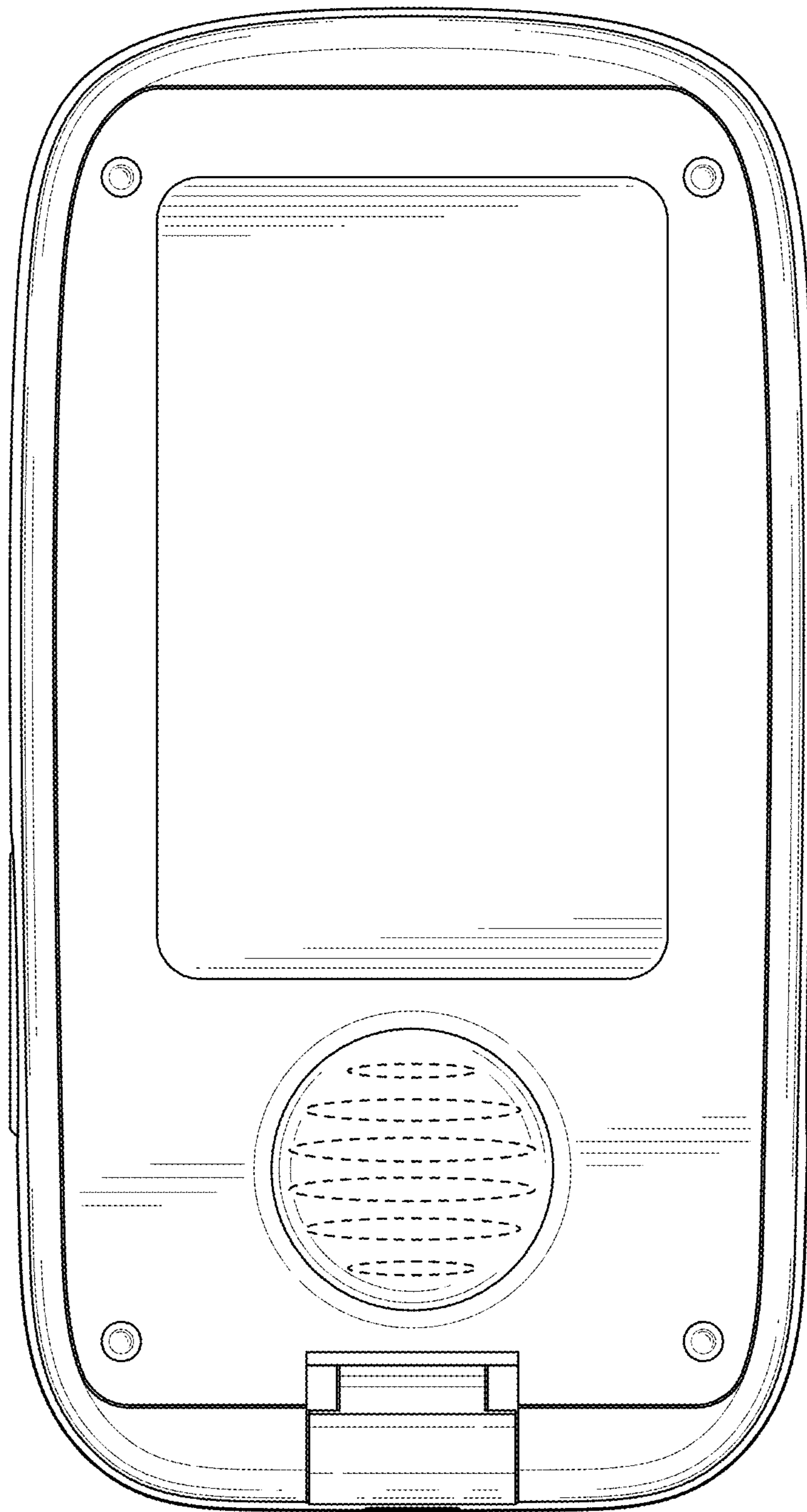


FIG. 8