



US00D973877S

(12) **United States Design Patent** (10) **Patent No.:** **US D973,877 S**  
**Bechtold et al.** (45) **Date of Patent:** **\*\* Dec. 27, 2022**

(54) **FEMORAL IMPLANT COMPONENT**

FOREIGN PATENT DOCUMENTS

(71) Applicant: **MAKO Surgical Corp.**, Ft. Lauderdale, FL (US)

EP	1 174 099	1/2002
FR	2676916	12/1992
GB	2 464 862	5/2010

(72) Inventors: **Kevin Bechtold**, Ft. Lauderdale, FL (US); **Ali Abbasi**, Davie, FL (US); **Amit Mistry**, Ft. Lauderdale, FL (US); **Mark Nadzadi**, Davie, FL (US); **Jason Otto**, Plantation, FL (US); **Kartik Mangudi Varadarajan**, Ft. Lauderdale, FL (US); **Tom Coon**, Redding, CA (US); **Ken Gustke**, Ft. Lauderdale, FL (US); **Richard Illgen**, Ft. Lauderdale, FL (US); **Stefan Kreuzer**, Ft. Lauderdale, FL (US); **Carlos Lavernia**, Coral Gables, FL (US); **Martin Roche**, Ft. Lauderdale, FL (US); **Harry Rubash**, Ft. Lauderdale, FL (US)

OTHER PUBLICATIONS

International Search Report and Written Opinion for International Application No. PCT/US2012/070531, dated May 27, 2013, 18 pages.

(Continued)

*Primary Examiner* — Charles D Hanson

(74) *Attorney, Agent, or Firm* — Foley & Lardner LLP

(73) Assignee: **MAKO Surgical Corp.**, Ft. Lauderdale, FL (US)

(57) **CLAIM**

We claim the ornamental design for a femoral implant component, as shown and described.

(\*\*) Term: **15 Years**

**DESCRIPTION**

(21) Appl. No.: **29/688,453**

(22) Filed: **Apr. 22, 2019**

**Related U.S. Application Data**

(60) Division of application No. 29/544,891, filed on Nov. 6, 2015, now Pat. No. Des. 849,945, which is a (Continued)

(51) **LOC (13) Cl.** ..... **24-03**

(52) **U.S. Cl.**  
USPC ..... **D24/155**

(58) **Field of Classification Search**  
USPC ..... D24/155  
(Continued)

FIG. 1 is a front perspective view from above of the claimed design according to another embodiment;  
FIG. 2 is a left side perspective view from above of the claimed design of FIG. 1;  
FIG. 3 is a right side perspective view from above of the claimed design of FIG. 1;  
FIG. 4 is a front perspective view from below left of the claimed design of FIG. 1;  
FIG. 5 is front perspective view from below right of the claimed design of FIG. 1;  
FIG. 6 is a top view of the claimed design of FIG. 1;  
FIG. 7 is a bottom view of the claimed design of FIG. 1;  
FIG. 8 is a front view of the claimed design of FIG. 1;  
FIG. 9 is a rear view of the claimed design of FIG. 1;  
FIG. 10 is a right side view of the claimed design of FIG. 1; and,  
FIG. 11 is a left side view of the claimed design of FIG. 1. The ornamental design which is claimed is shown in solid lines in the drawings. The broken lines in the drawings are for illustrative purposes only and form no part of the claimed design.

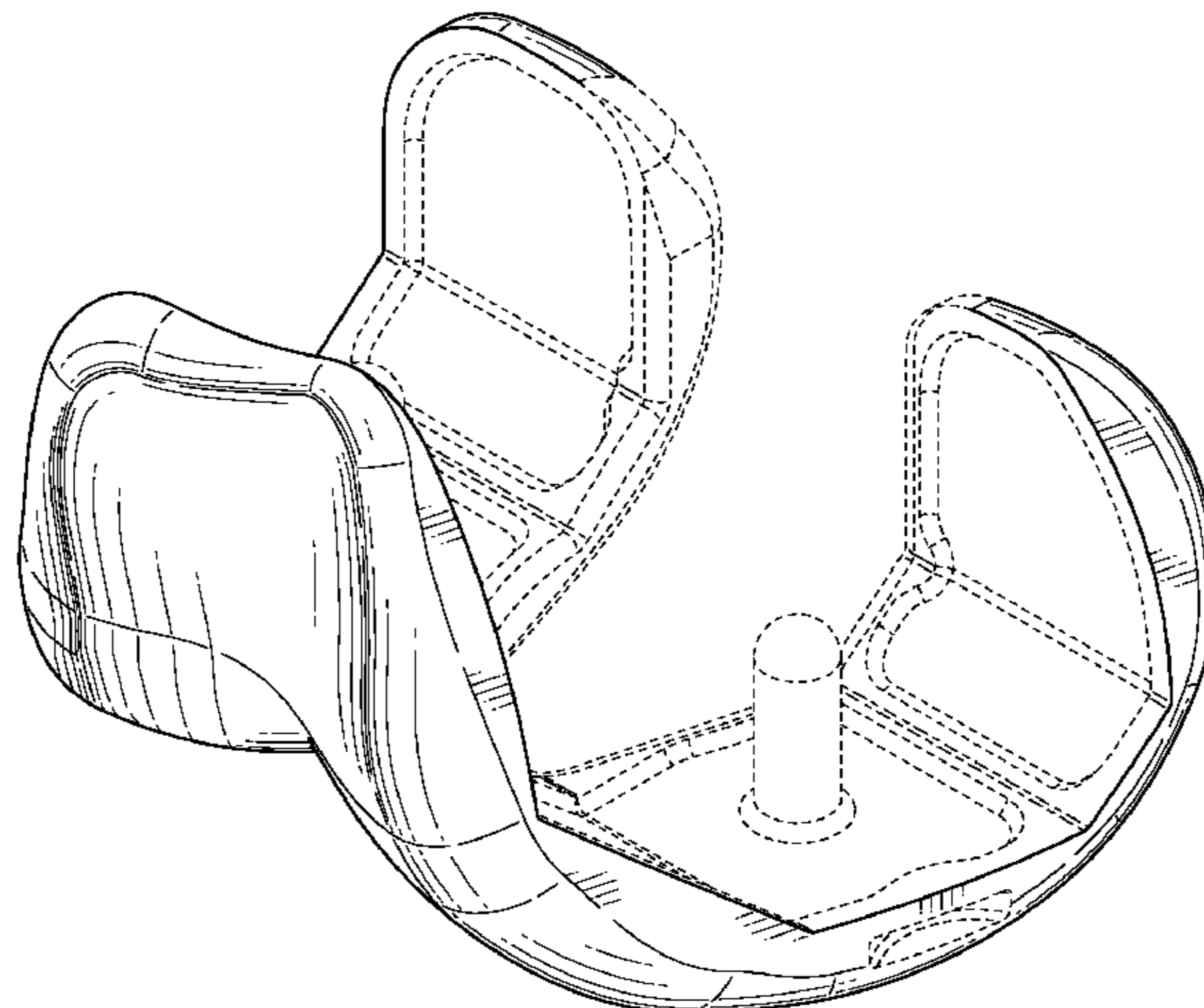
(Continued)

(56) **References Cited**

U.S. PATENT DOCUMENTS

3,816,855 A 6/1974 Saleh  
3,869,731 A 3/1975 Waugh et al.

(Continued)



While the accompanying drawings illustrate one or more exemplary embodiments, it should be understood that according to other exemplary embodiments that should be considered to be within the possession of the inventors of the present application at the time this application is being filed, it is contemplated that any illustrated solid lines (or portions thereof) may be converted to broken lines and that any illustrated broken lines (or portions thereof) may be converted to solid lines so as to claim or disclaim portions, components, or sub-components of the designs shown. It is further contemplated that shading may be added or removed to claim or disclaim the corresponding surfaces.

**1 Claim, 8 Drawing Sheets**

**Related U.S. Application Data**

division of application No. 29/466,148, filed on Sep. 4, 2013, now Pat. No. Des. 744,104, which is a continuation-in-part of application No. 13/340,645, filed on Dec. 29, 2011, now Pat. No. 8,911,501, and a continuation-in-part of application No. 13/340,636, filed on Dec. 29, 2011, now Pat. No. 9,649,195.

(58) **Field of Classification Search**

CPC ..... A61F 2/36; A61F 2/3662; A61F 2/30767; A61F 2/34; A61F 2002/3631; A61F 2002/30332; A61F 2002/365; A61F 2002/30507; A61F 2310/00029

See application file for complete search history.

(56) **References Cited**

U.S. PATENT DOCUMENTS

4,207,627	A	6/1980	Cloutier	
4,586,933	A	5/1986	Shoji et al.	
4,659,331	A *	4/1987	Matthews .....	A61F 2/38 D24/155
D291,003	S	7/1987	Huckster	
4,944,756	A	7/1990	Kenna	
5,037,439	A	8/1991	Albrektsson et al.	
5,137,536	A	8/1992	Koshino	
D374,078	S *	9/1996	Johnson .....	D24/155
5,681,354	A	10/1997	Eckhoff	
5,702,460	A	12/1997	Carls et al.	

D473,307	S	4/2003	Cooke	
6,969,393	B2	11/2005	Pinczewski et al.	
D622,854	S *	8/2010	Otto .....	D24/155
D625,415	S	10/2010	Otto et al.	
7,918,893	B2	4/2011	Romeis et al.	
D649,639	S *	11/2011	Bertoni .....	D24/155
8,066,776	B2	11/2011	O'Connor et al.	
8,163,028	B2	4/2012	Metzger et al.	
D661,808	S *	6/2012	Kang .....	D24/155
8,292,965	B2	10/2012	Walker	
8,529,631	B2	9/2013	Donno et al.	
D744,104	S *	11/2015	Bechtold .....	D24/155
D752,222	S *	3/2016	Robichaud .....	D24/155
D753,307	S *	4/2016	Robichaud .....	D24/155
D755,971	S *	5/2016	Dacus .....	D24/155
D808,524	S *	1/2018	Robichaud .....	D24/155
9,943,320	B2	4/2018	Klein et al.	
D849,945	S *	5/2019	Bechtold .....	D24/155
2006/0004460	A1	1/2006	Engh et al.	
2009/0062925	A1	3/2009	Samuelson	
2009/0076604	A1	3/2009	Linares	
2010/0016987	A1	1/2010	Scrafton et al.	
2010/0076567	A1 *	3/2010	Justin .....	A61F 2/3859 606/86 R
2010/0305710	A1	12/2010	Metzger et al.	
2011/0190898	A1	8/2011	Lenz et al.	
2011/0264097	A1	10/2011	Hodorek et al.	
2012/0078262	A1	3/2012	Pinczewski et al.	
2012/0179266	A1	7/2012	Collazo	
2012/0209394	A1	8/2012	Bojarski et al.	
2012/0323337	A1 *	12/2012	Parisi .....	A61F 2/3886 623/20.35

OTHER PUBLICATIONS

International Search Report and Written Opinion for International Application No. PCT/US2012/070930, dated May 27, 2013, 16 pages.

Invitation to Pay Additional Fees and Communication Relating to the Results of the Partial International Search for International Application No. PCT/US2012/070531, dated Mar. 6, 2013, 7 pages.

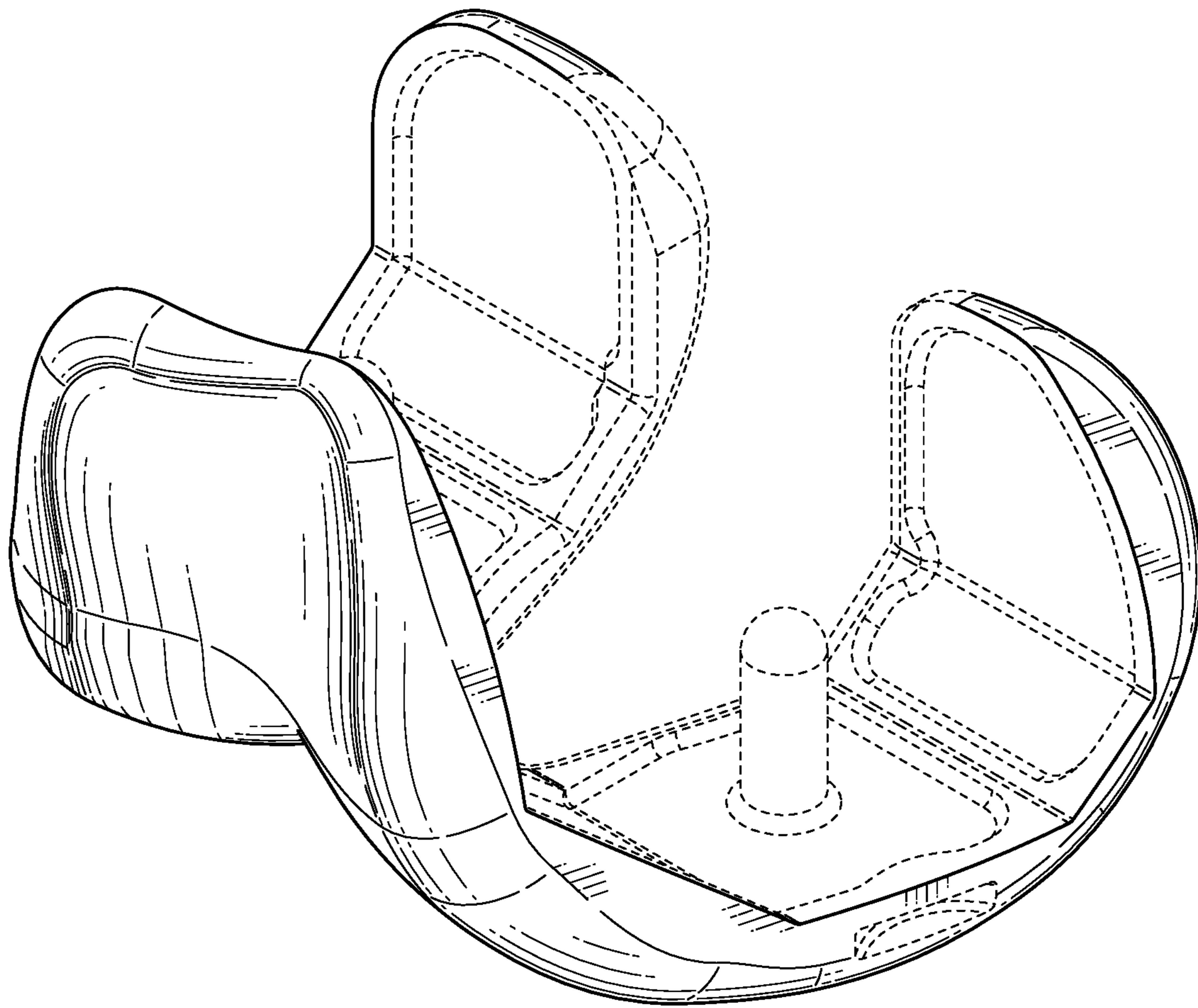
Invitation to Pay Additional Fees and Partial International Search for International Application No. PCT/US2012/070930, dated Mar. 22, 2013, 6 pages.

Pritchett, James W., BioPro: Equalizer Modular Total Knee Replacement, available at least as early as 1999, 19 pages.

Townley, Charles O., Total Knee Arthroplasty: A Personal Retrospective and Prospective Review, Clinical Orthopaedics and Related Research, No. 236, 1988, 15 pages.

\* cited by examiner





**FIG. 1**

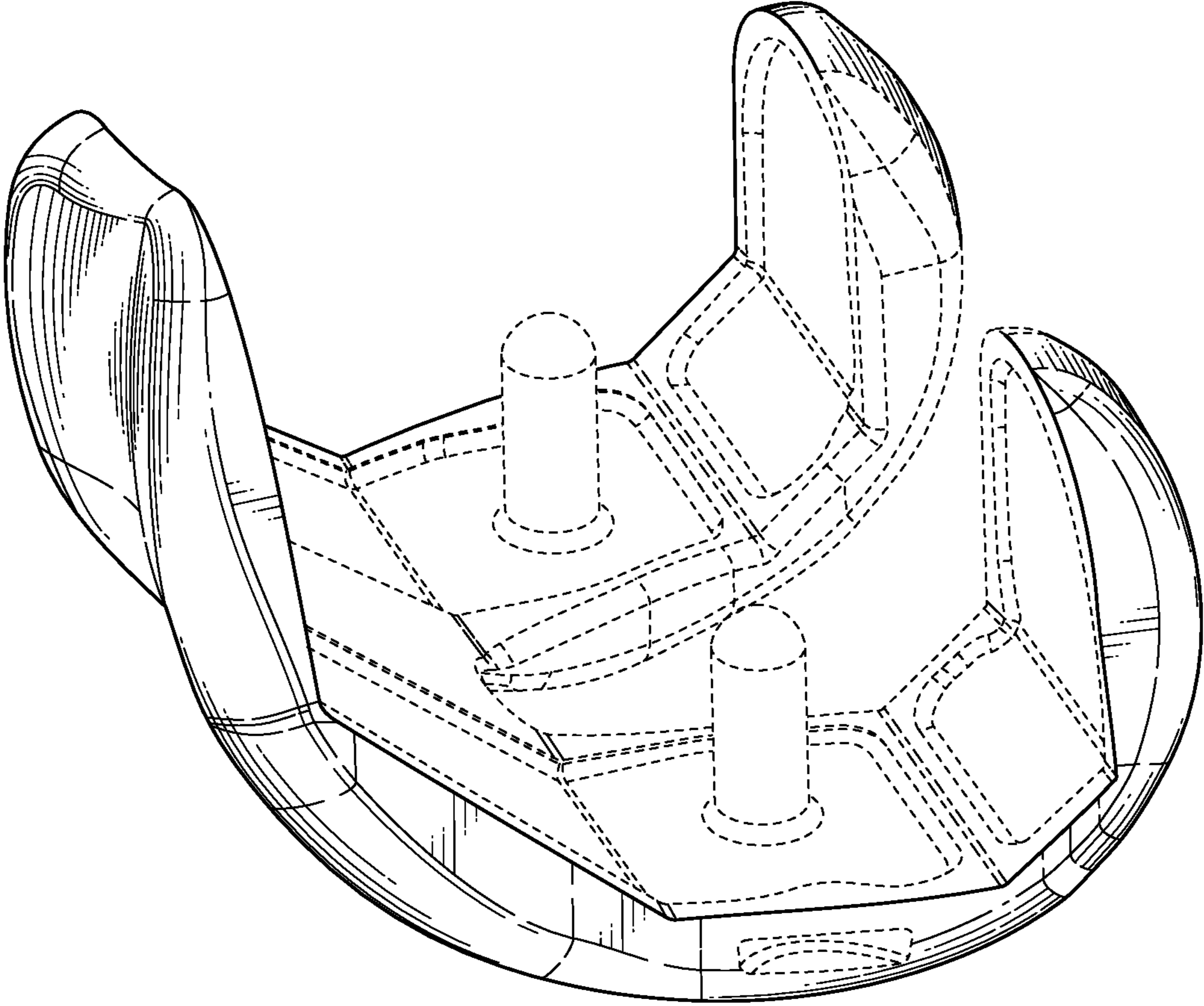


FIG. 2

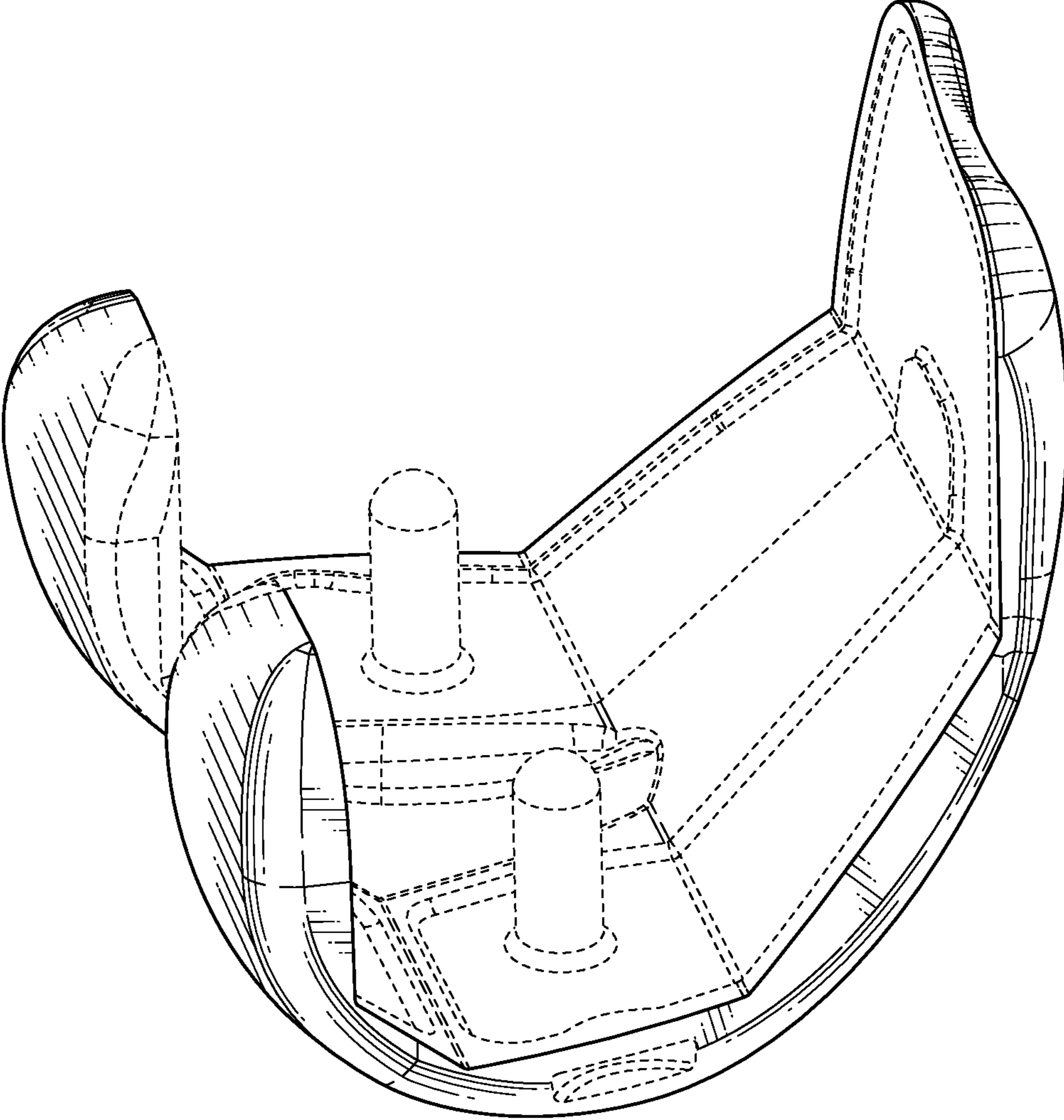


FIG. 3

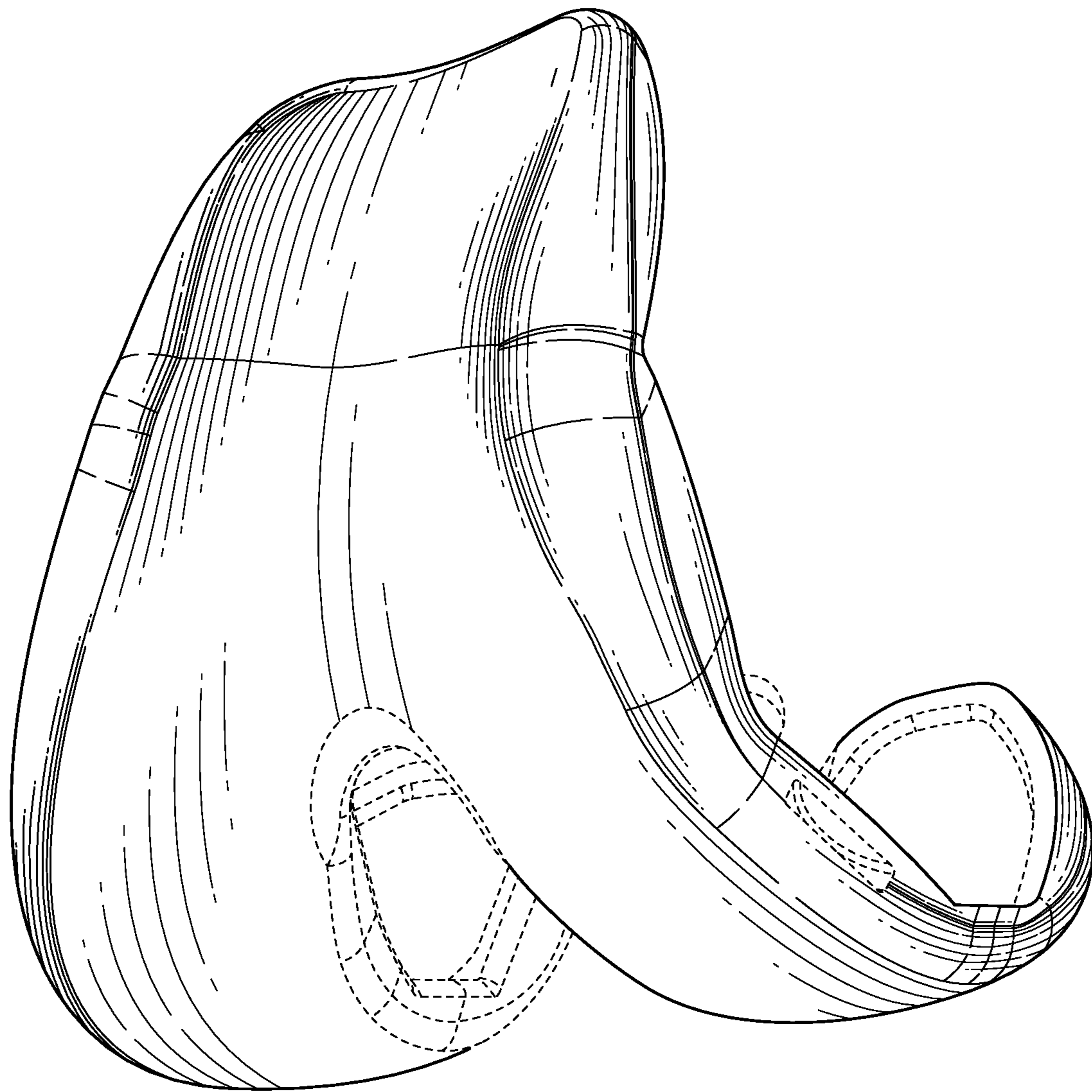


FIG. 4

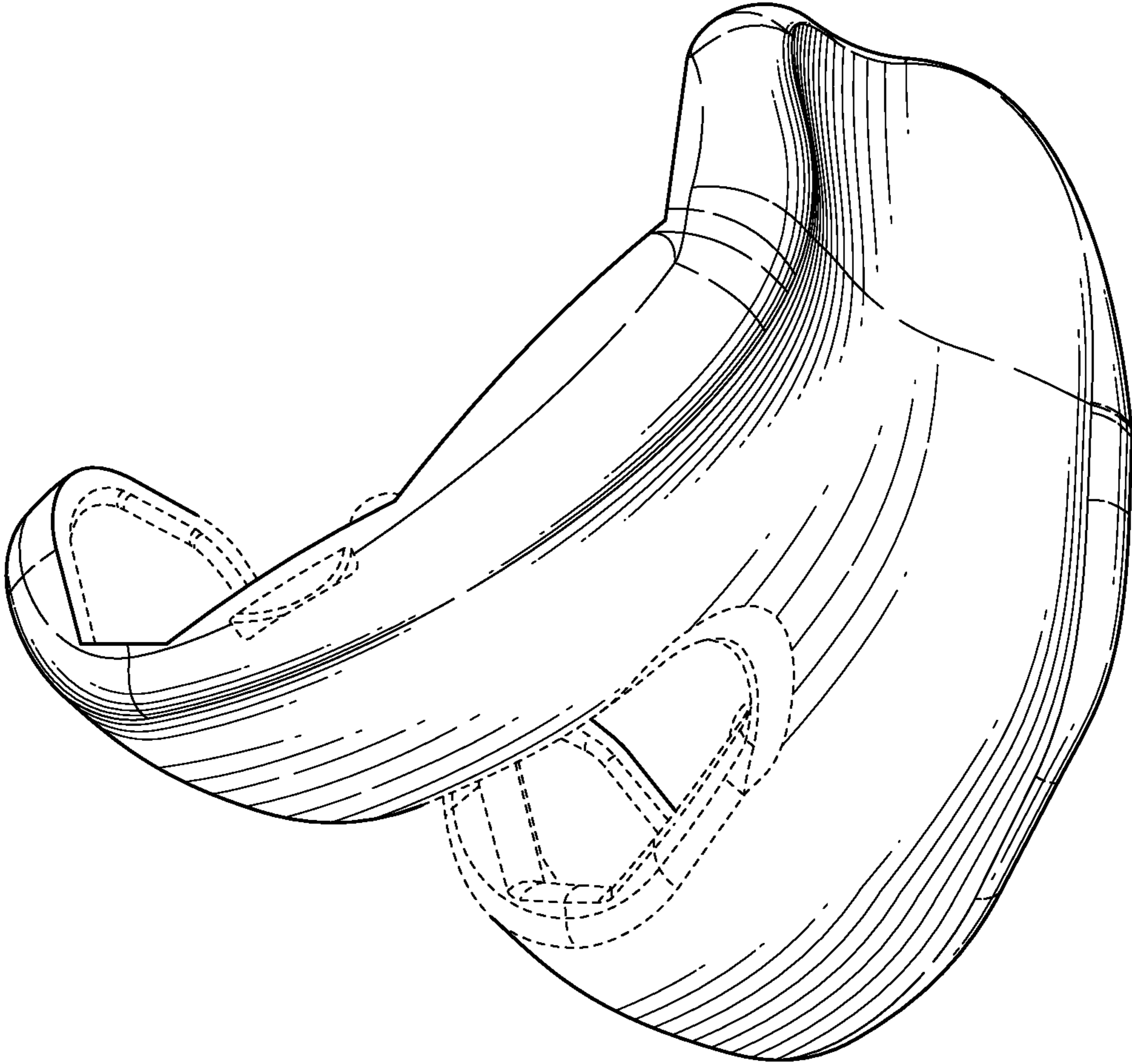


FIG. 5



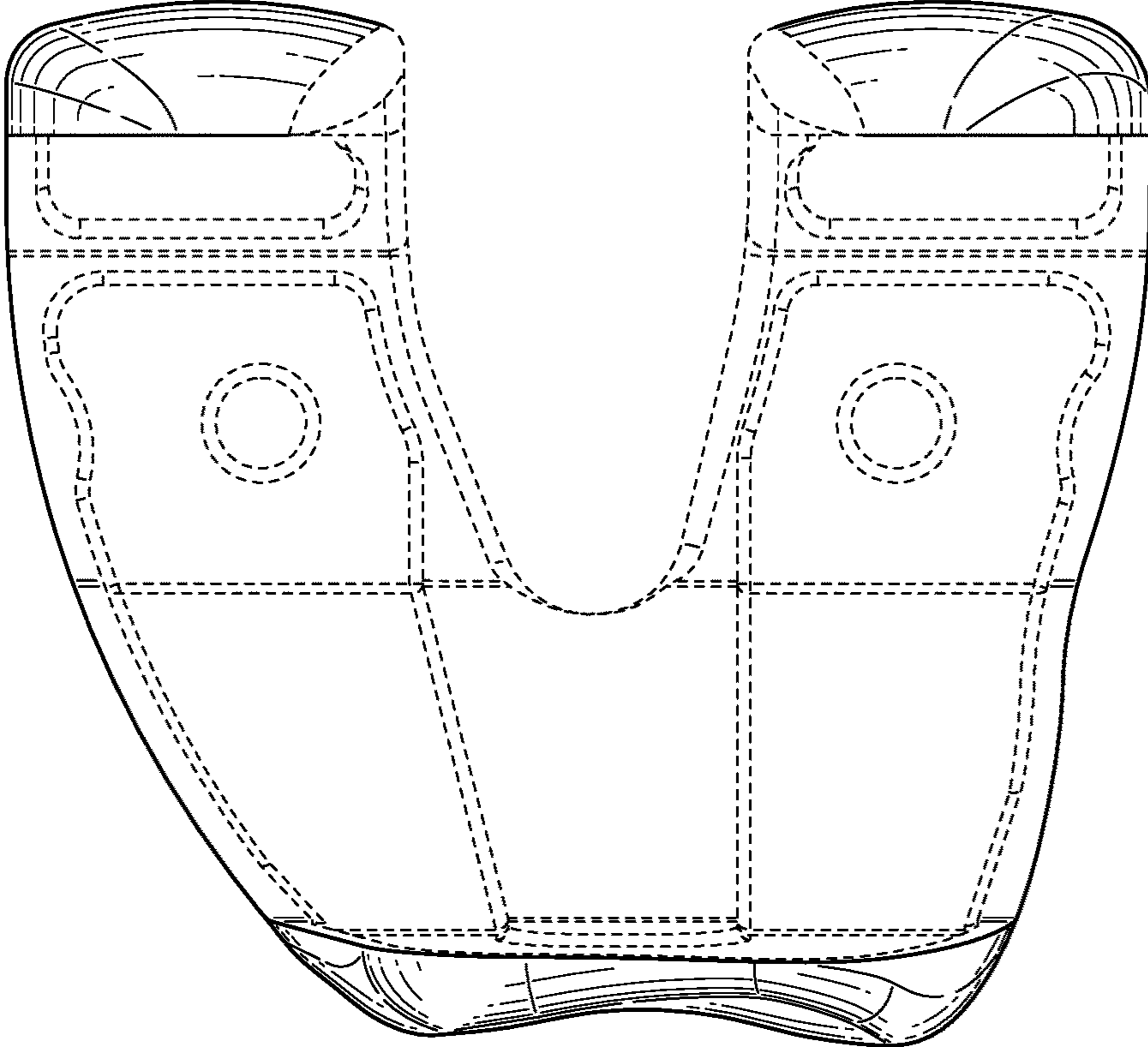


FIG. 6

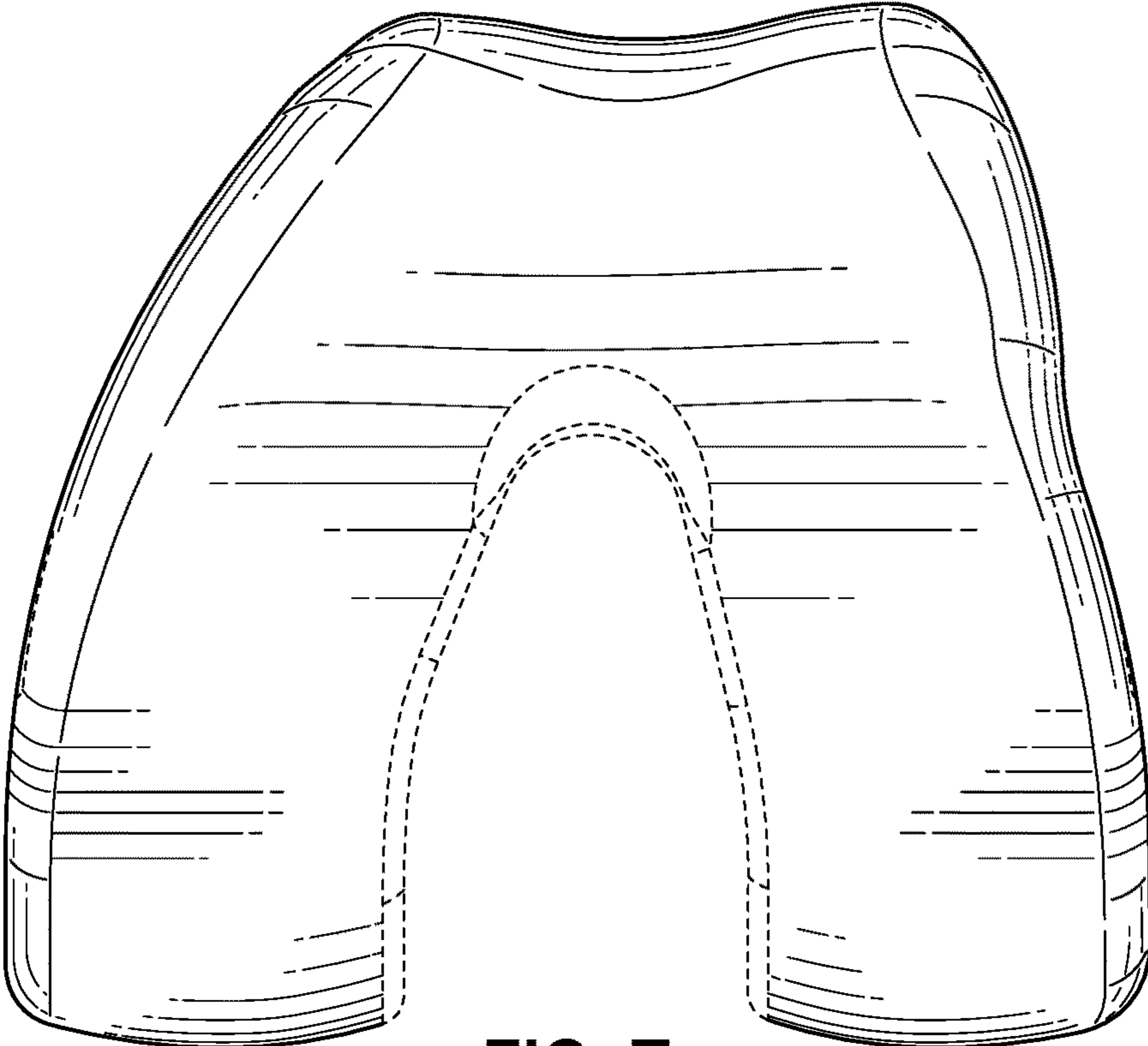
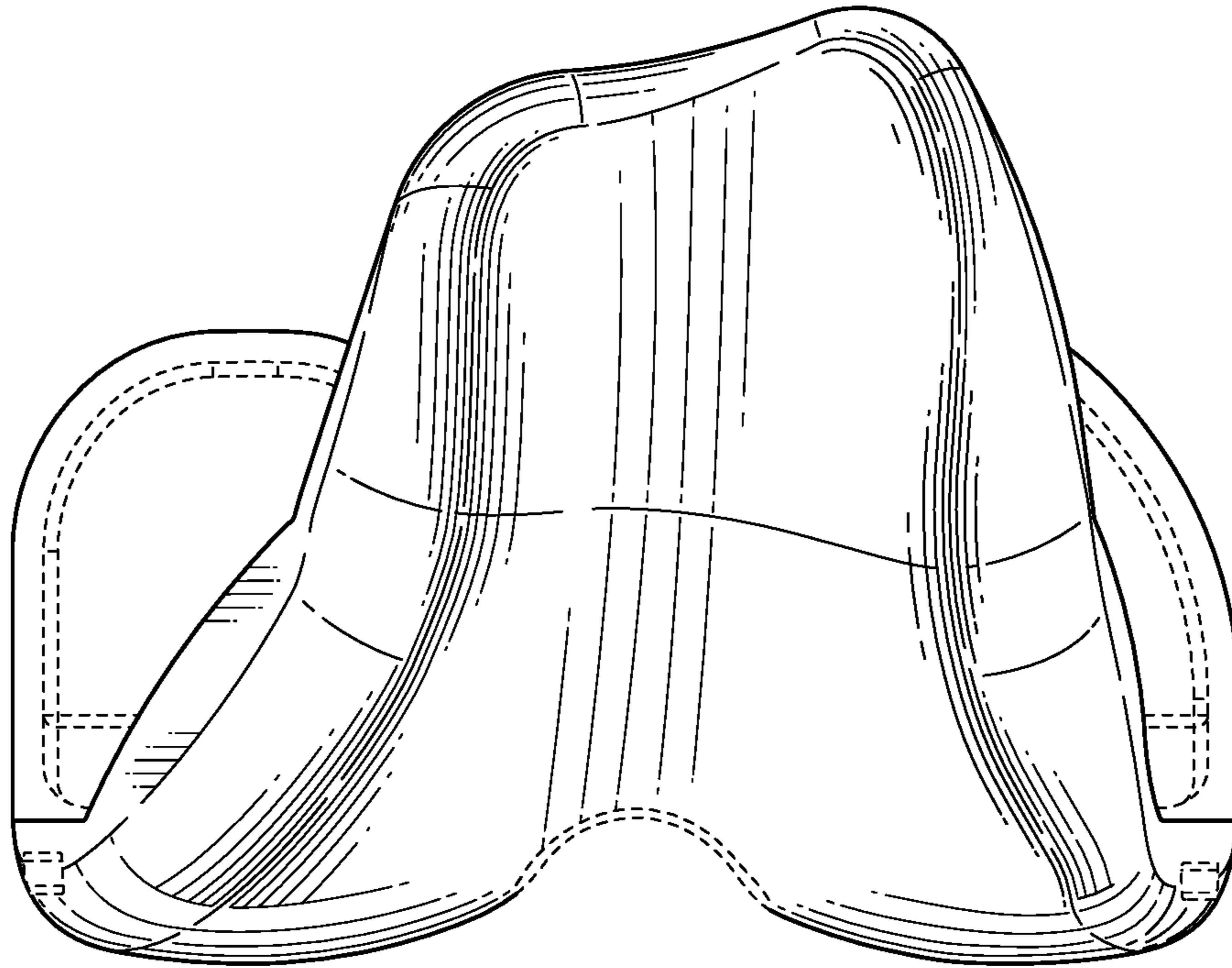
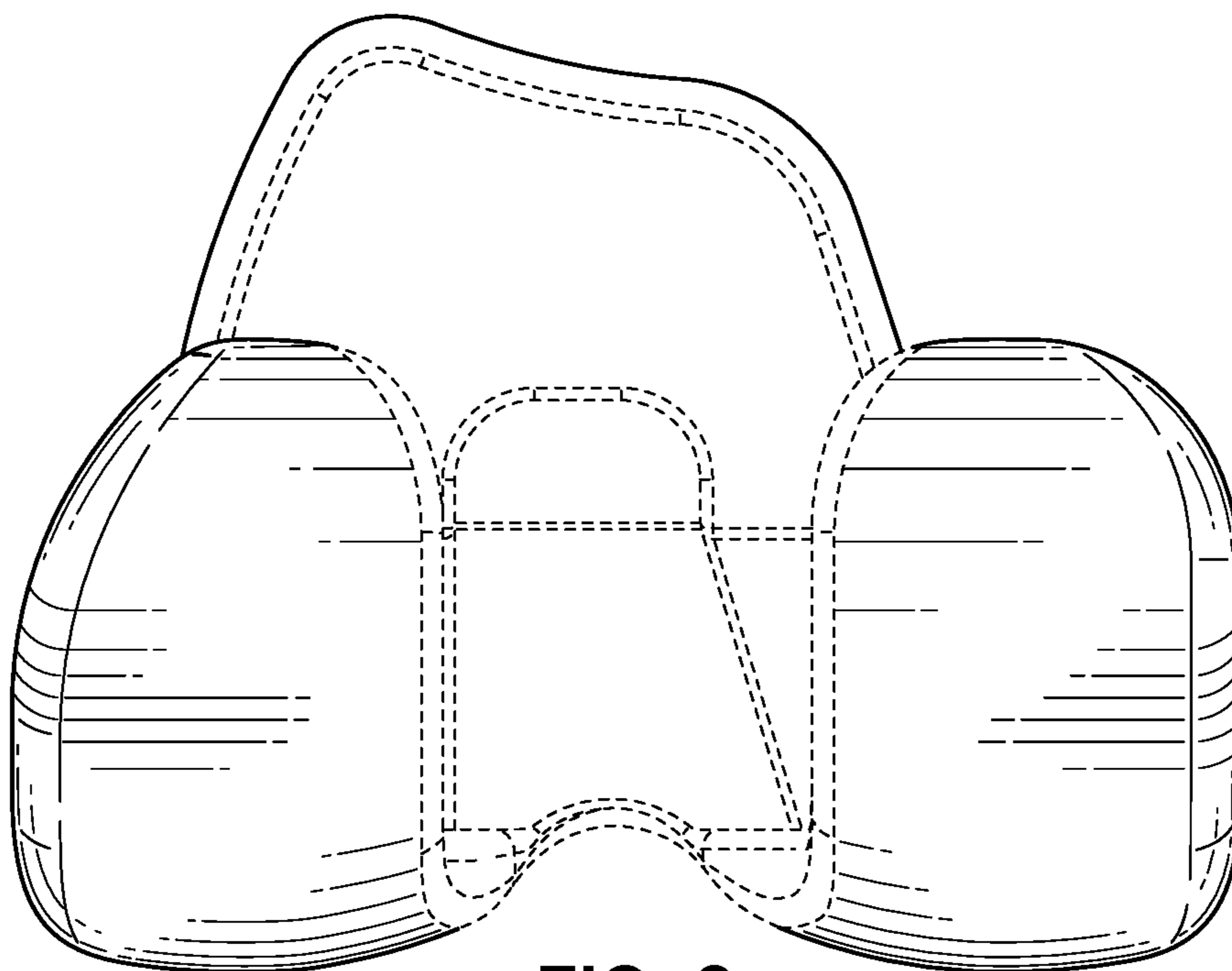


FIG. 7





**FIG. 8**



**FIG. 9**

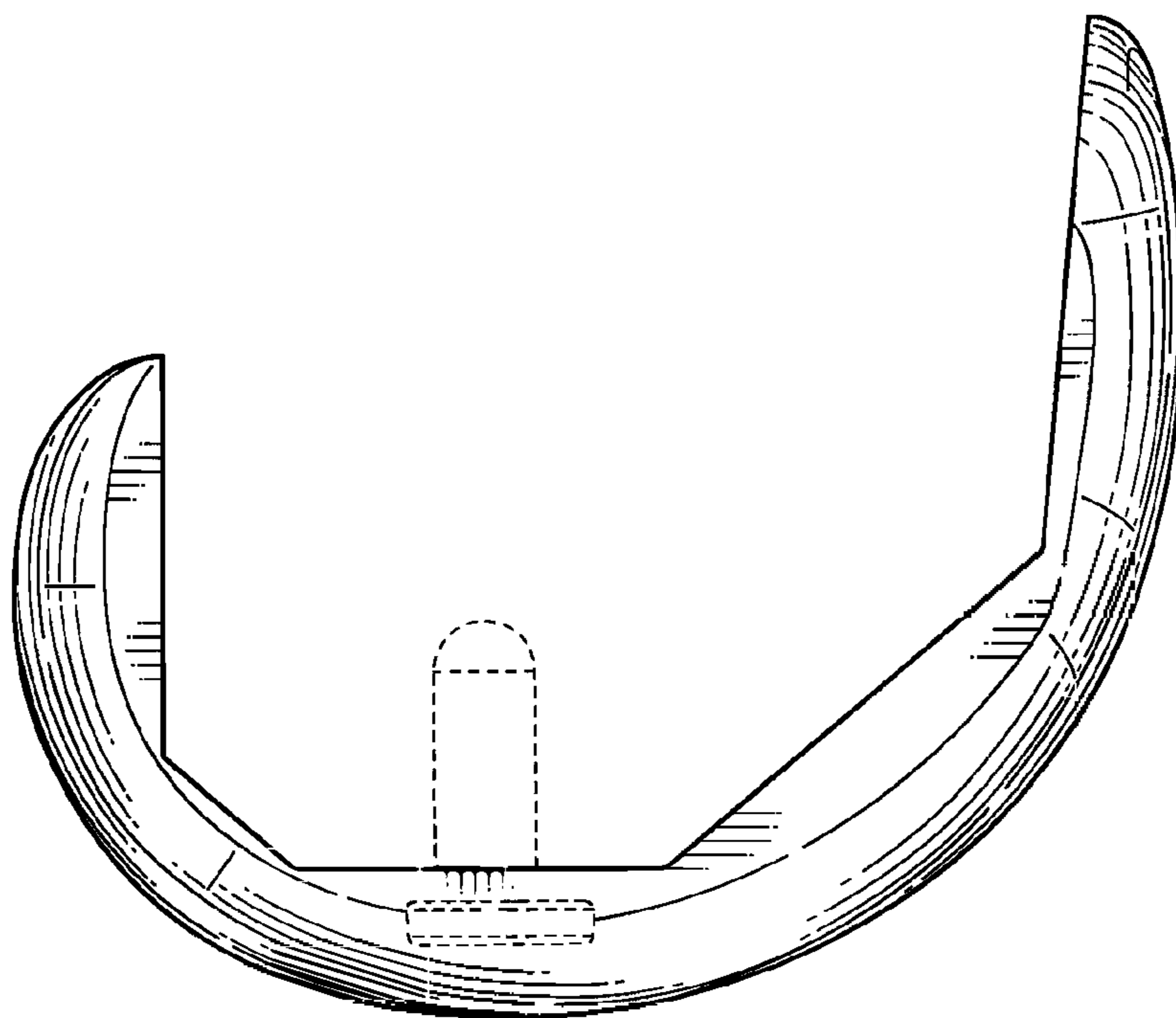


FIG. 10

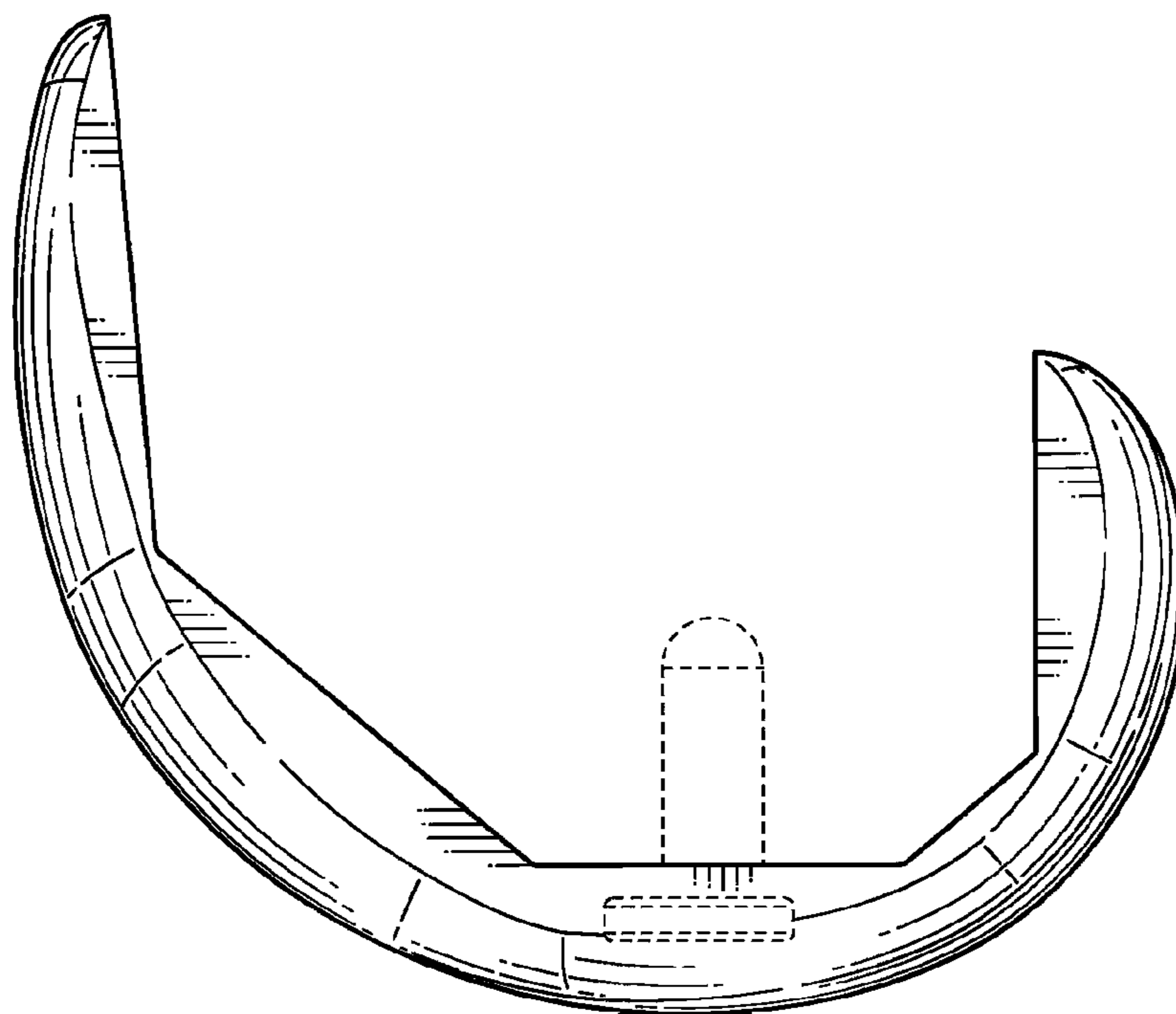


FIG. 11