



US00D973875S

(12) **United States Design Patent** (10) **Patent No.:** **US D973,875 S**  
**Lasner et al.** (45) **Date of Patent:** **\*\* Dec. 27, 2022**

(54) **MEDICAL INSTRUMENT WITH FINGER LOCK**

(71) Applicants: **Daniel M Lasner**, White Plains, NY (US); **Michael E Lasner**, Mt Kisco, NY (US); **Jeffrey I Lasner**, Boynton Beach, FL (US)

(72) Inventors: **Daniel M Lasner**, White Plains, NY (US); **Michael E Lasner**, Mt Kisco, NY (US); **Jeffrey I Lasner**, Boynton Beach, FL (US)

(\*\*) Term: **15 Years**

(21) Appl. No.: **29/674,808**

(22) Filed: **Dec. 26, 2018**

(51) **LOC (13) Cl.** ..... **24-02**

(52) **U.S. Cl.**  
USPC ..... **D24/146**

(58) **Field of Classification Search**  
USPC ..... D24/133, 130, 143, 146, 147  
CPC ..... A61B 17/29  
See application file for complete search history.

(56) **References Cited**

U.S. PATENT DOCUMENTS

|               |        |        |       |              |
|---------------|--------|--------|-------|--------------|
| 4,271,838 A * | 6/1981 | Lasner | ..... | A61B 17/0467 |
|               |        |        |       | 606/174      |
| 4,369,787 A * | 1/1983 | Lasner | ..... | A61B 17/0467 |
|               |        |        |       | 606/147      |
| 4,527,331 A * | 7/1985 | Lasner | ..... | A61B 17/0467 |
|               |        |        |       | 606/174      |

(Continued)

Primary Examiner — Eliza Z Harvey

(74) Attorney, Agent, or Firm — Joseph M. Fowler

(57) **CLAIM**

We claim the ornamental design for a medical instrument with finger lock, as shown and described.

**DESCRIPTION**

FIG. 1 is a perspective view of a new design for a medical instrument with finger lock side in the foreground with the instrument shown in an open, or unlocked, position;

FIG. 2 is a left side view thereof;

FIG. 3 is a right side view thereof;

FIG. 4 is a top view thereof;

FIG. 5 is a bottom view of this new design for a medical instrument with the instrument shown with finger lock in a closed, or locked position;

FIG. 6 is a front view of a new design for a medical instrument with the finger lock shown in an open, or unlocked, position;

FIG. 7 is a rear view of a new design medical instrument with finger lock shown in an open, or unlocked, position;

FIG. 8 is a perspective view of a new design for a medical instrument with finger lock shown in a closed, or locked, position;

FIG. 9 is a left side view of a new design for a medical instrument with finger lock shown in a closed, or locked, position;

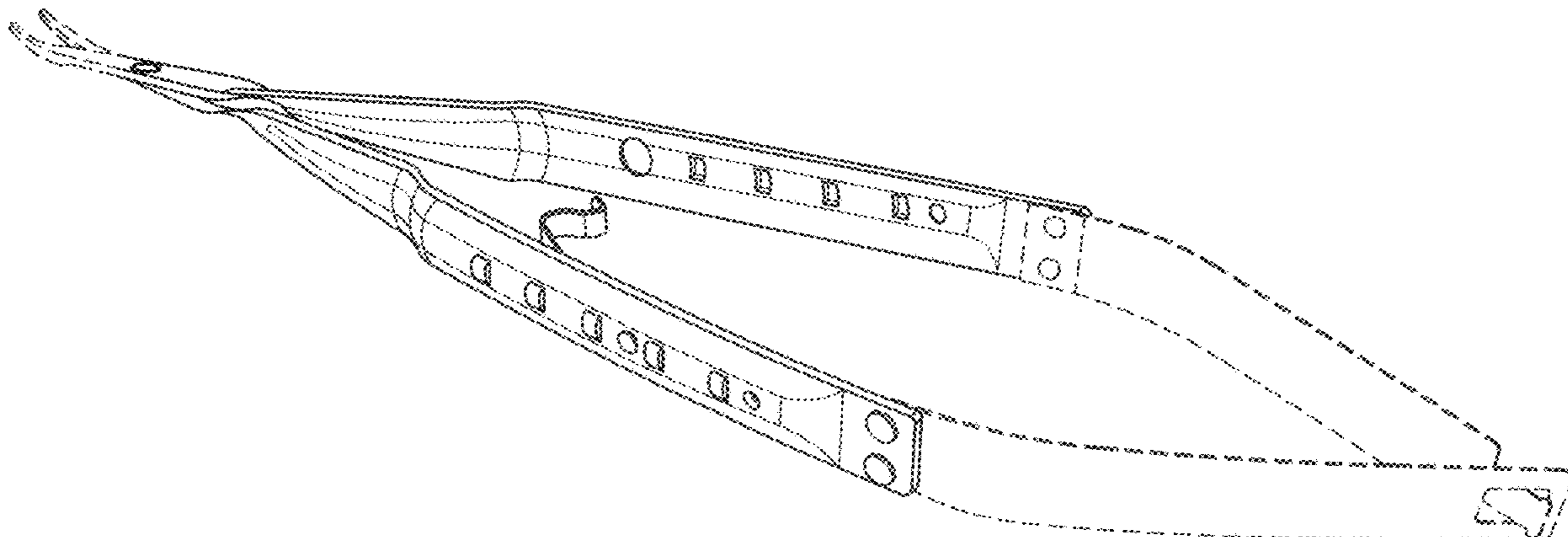
FIG. 10 is a right side view of a new design for a medical instrument with finger lock shown in a closed, or locked, position;

FIG. 11 is a front view of a new design for a medical instrument with finger lock shown in a closed, or locked, position;

FIG. 12 is a rear view a new design for a medical instrument with finger lock shown in a closed, or locked, position; and, FIG. 13 is a top view of this new design for a medical instrument with the instrument shown with finger lock in an open, or unlocked position.

The ornamental design which is claimed is shown in solid lines in the drawing figures. Any broken lines in the Figures are for illustrative purposes only and form no part of the claimed design.

**1 Claim, 11 Drawing Sheets**



(56)

**References Cited**

U.S. PATENT DOCUMENTS

5,443,479 A \* 8/1995 Bressi, Jr. .... A61B 17/29  
606/208  
D369,215 S \* 4/1996 Blake ..... D24/143  
D420,742 S \* 2/2000 Noble ..... D24/146  
6,616,683 B1 \* 9/2003 Toth ..... A61B 17/29  
606/205  
D589,615 S \* 3/2009 Doenges ..... D24/146  
D700,698 S \* 3/2014 Evans ..... A61F 2/4611  
D24/133  
D748,784 S \* 2/2016 Weitkamp ..... D24/143  
D940,898 S \* 1/2022 Chiappetta ..... D24/227  
2002/0077649 A1 \* 6/2002 Lasner ..... A61B 17/2841  
606/174  
2006/0009795 A1 \* 1/2006 Lasner ..... A61B 17/30  
606/174  
2007/0027474 A1 \* 2/2007 Lasner ..... A61B 17/30  
606/219  
2018/0153535 A1 \* 6/2018 Lasner ..... A61B 17/00234  
2021/0093480 A1 \* 4/2021 Tazawa ..... A61B 17/29

\* cited by examiner

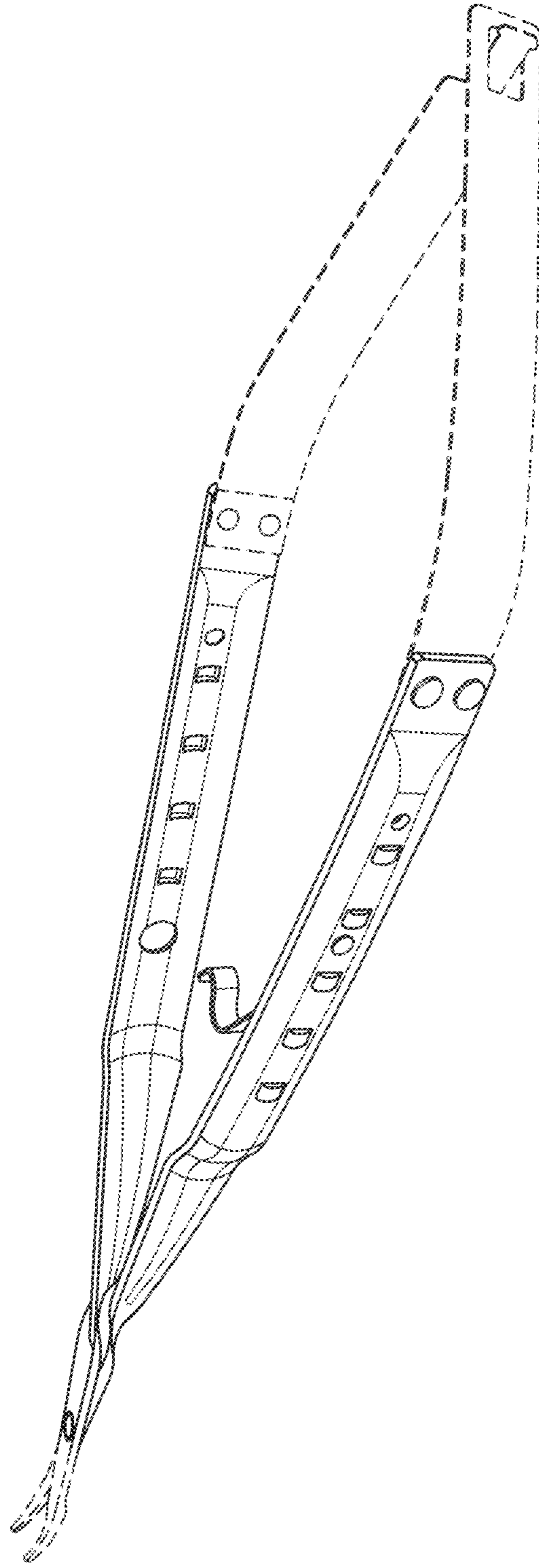


FIG. 1

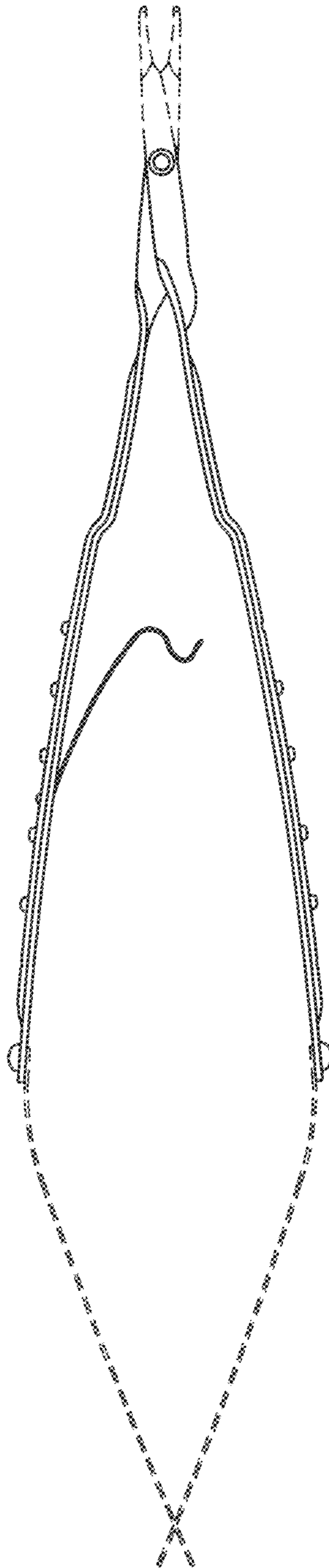


FIG. 2

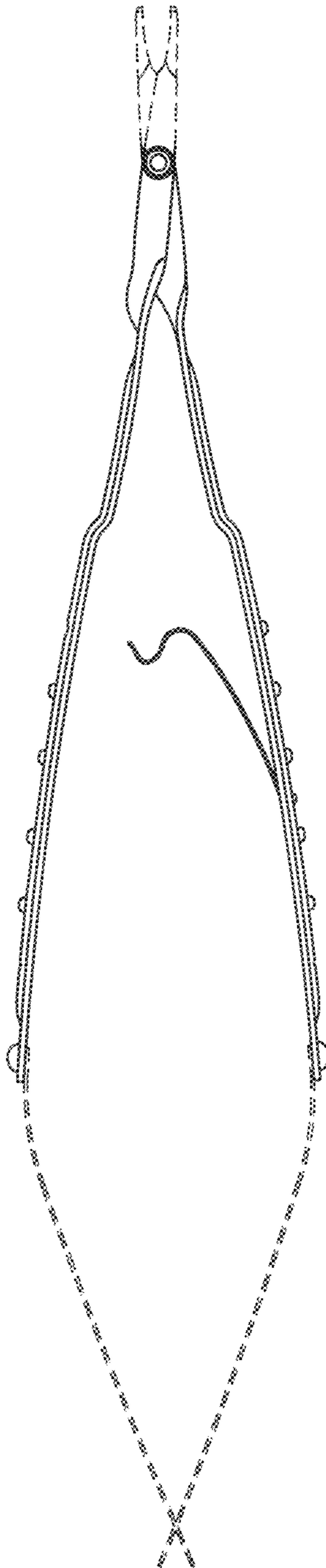


FIG. 3

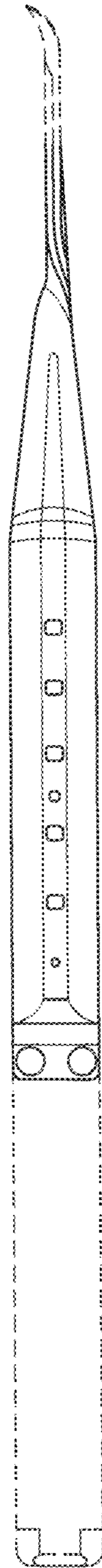


FIG. 4

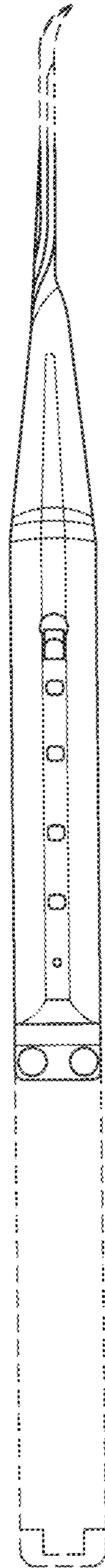


FIG. 5

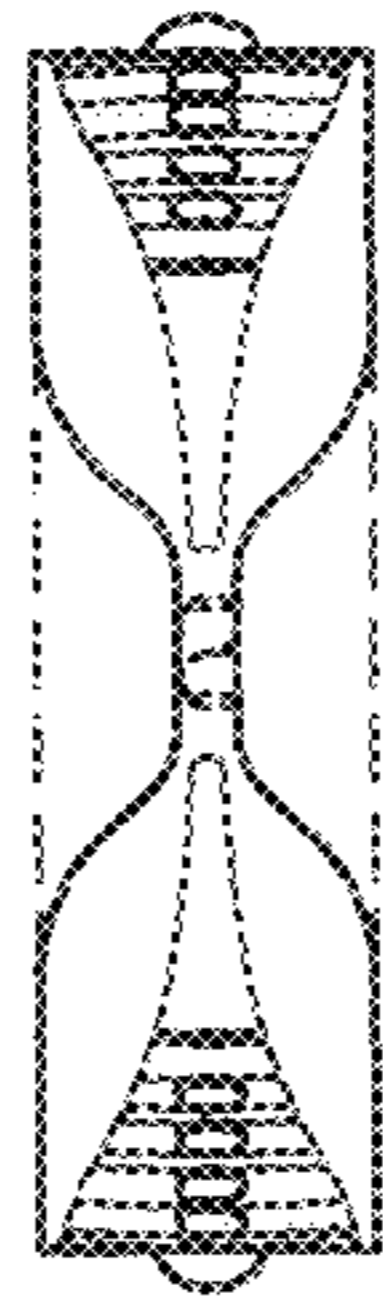


FIG. 6

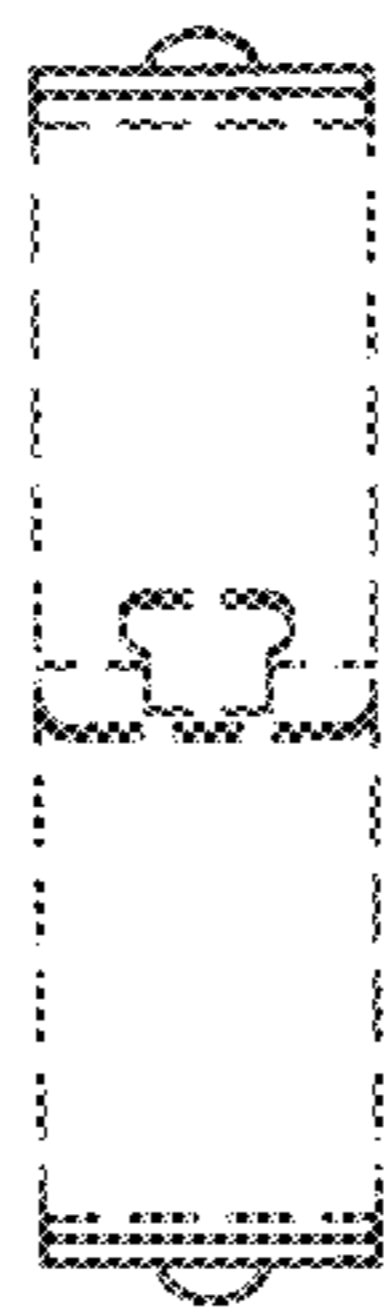


FIG. 7



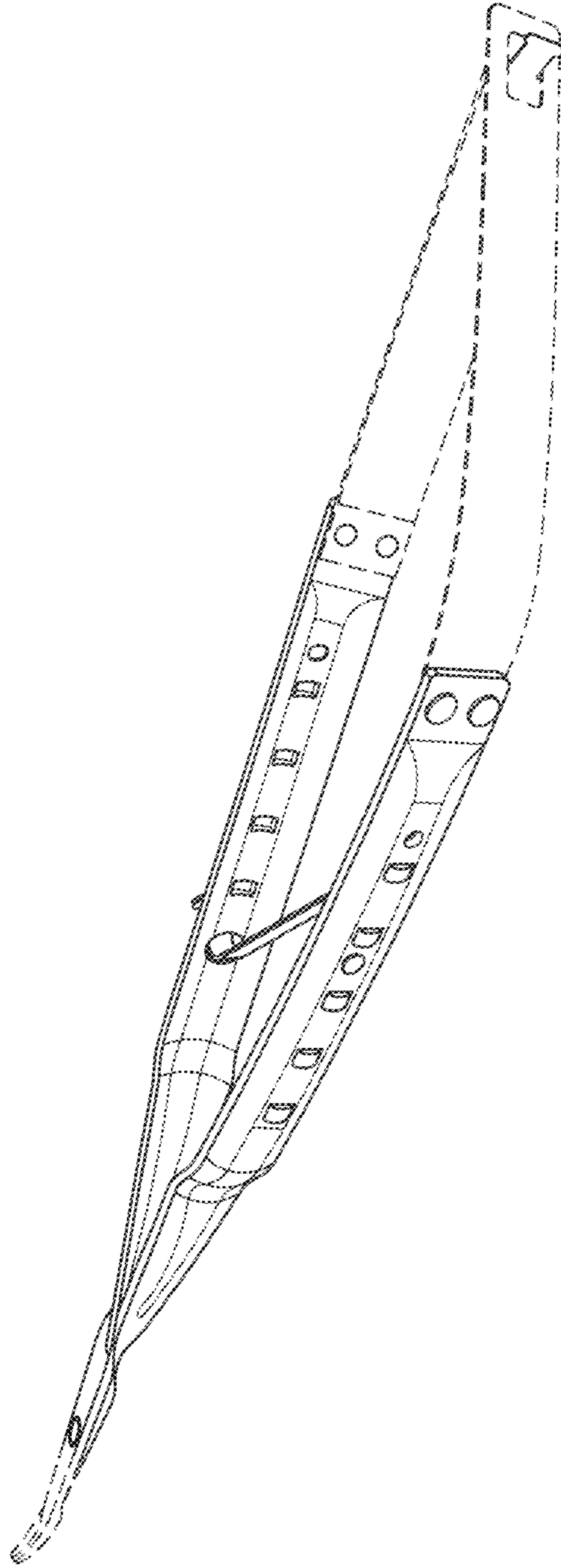


FIG. 8

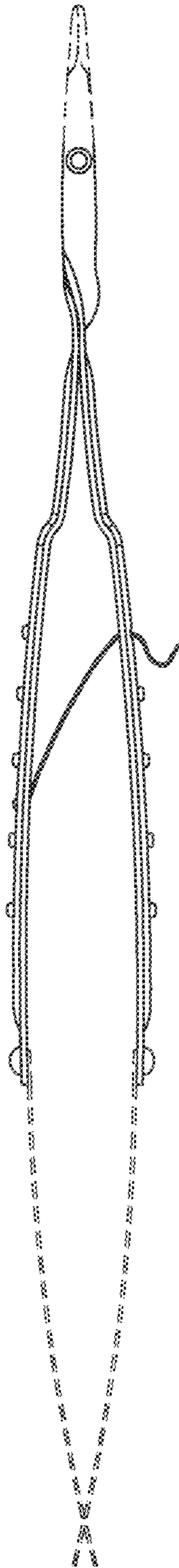


FIG. 9

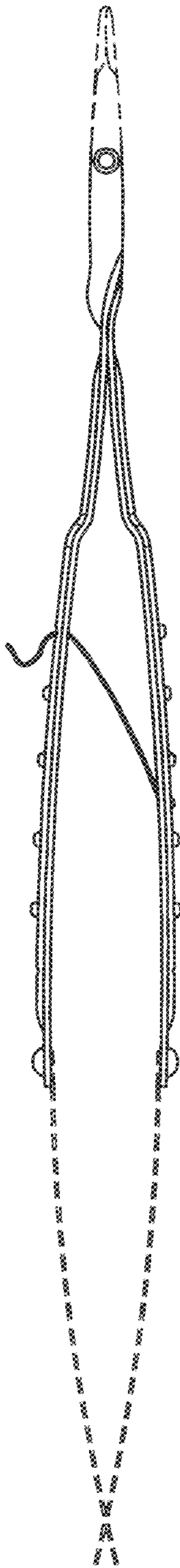


FIG. 10



FIG. 11

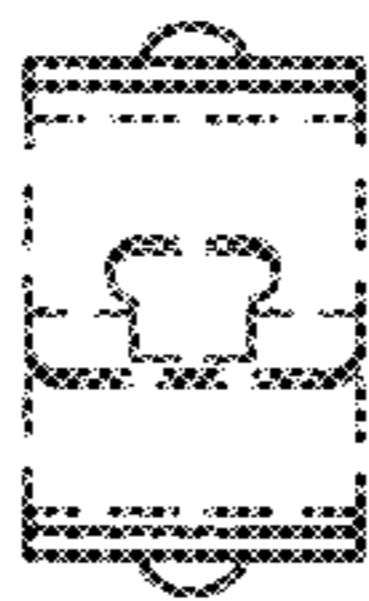


FIG. 12

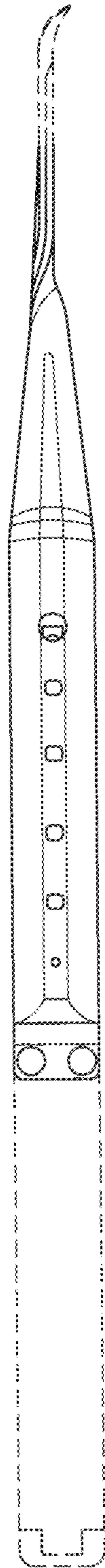


FIG. 13