



US00D973874S

(12) **United States Design Patent**  
**Marogil**

(10) **Patent No.:** **US D973,874 S**

(45) **Date of Patent:** **\*\* Dec. 27, 2022**

(54) **DIGITAL TOURNIQUET**

(71) Applicant: **Mar-Med Inc.**, Grand Rapids, MI (US)

(72) Inventor: **Jerry Paul Marogil**, Grand Rapids, MI (US)

(73) Assignee: **MAR-MED INC.**, Grand Rapids, MI (US)

(\*\*) Term: **15 Years**

(21) Appl. No.: **29/801,490**

(22) Filed: **Jul. 29, 2021**

(51) **LOC (13) Cl.** ..... **24-02**

(52) **U.S. Cl.**  
USPC ..... **D24/143**; D24/169

(58) **Field of Classification Search**  
USPC ..... D24/143, 165, 169, 189-190; D10/46  
CPC ..... A61B 17/132; A61B 17/1322; A61B 17/1325; A61B 17/1355; A61B 5/6833; A61F 2013/0028; A61F 2013/00468  
See application file for complete search history.

(56) **References Cited**

**U.S. PATENT DOCUMENTS**

D231,572 S \* 4/1974 Cray ..... D24/190  
D823,466 S 7/2018 Marogil  
D852,965 S \* 7/2019 Bahney ..... A61B 5/6833  
D24/186  
11,083,371 B1 \* 8/2021 Szabados ..... A61B 5/6833  
11,141,091 B2 \* 10/2021 Kumar ..... A61B 5/6833

11,246,523 B1 \* 2/2022 Abercrombie, II .. A61B 5/6833  
11,289,197 B1 \* 3/2022 Park ..... A61B 5/6832  
11,350,865 B2 \* 6/2022 Abercrombie, II .. A61B 5/6833  
2018/0008280 A1 \* 1/2018 Clark ..... A61B 17/132

**OTHER PUBLICATIONS**

Mar-Med, Uni-Cot® Digit Tourniquet. Retrieved Oct. 14, 2022. Retrieved from the Internet: <<https://marmed.com/products/uni-cot-2-0/>>. Jun. 10, 2021.\*

\* cited by examiner

*Primary Examiner* — Wan Laymon

(74) *Attorney, Agent, or Firm* — Stinson LLP

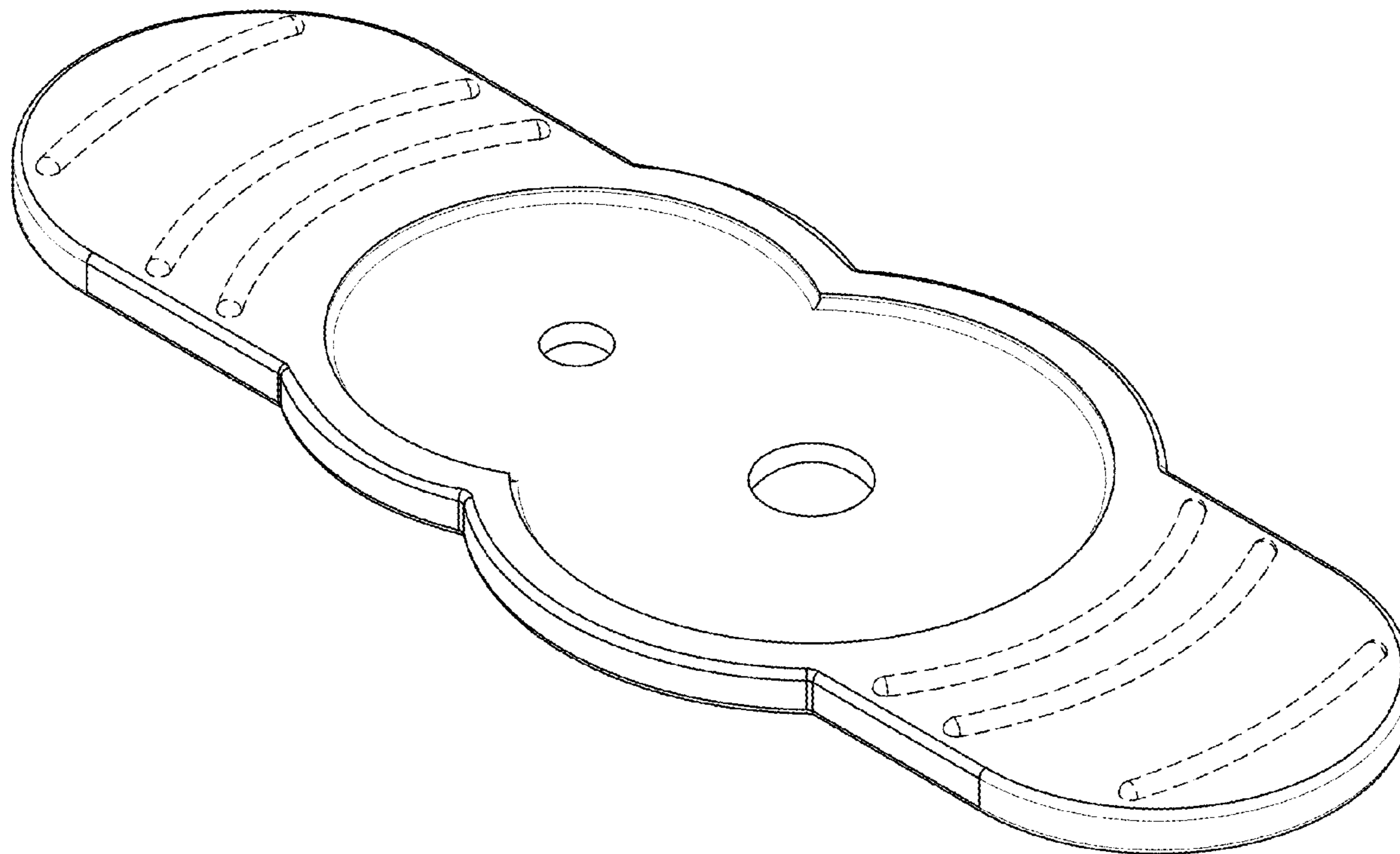
(57) **CLAIM**

The ornamental design for a digital tourniquet, as shown and described.

**DESCRIPTION**

FIG. 1 is a perspective of a digital tourniquet;  
FIG. 2 is a front view thereof;  
FIG. 3 is a right side view thereof;  
FIG. 4 is a top plan view thereof;  
FIG. 5 is a rear view thereof;  
FIG. 6 is a left side view thereof; and,  
FIG. 7 is a bottom plan view thereof.  
The elements shown in phantom form no part of the claimed design.

**1 Claim, 7 Drawing Sheets**



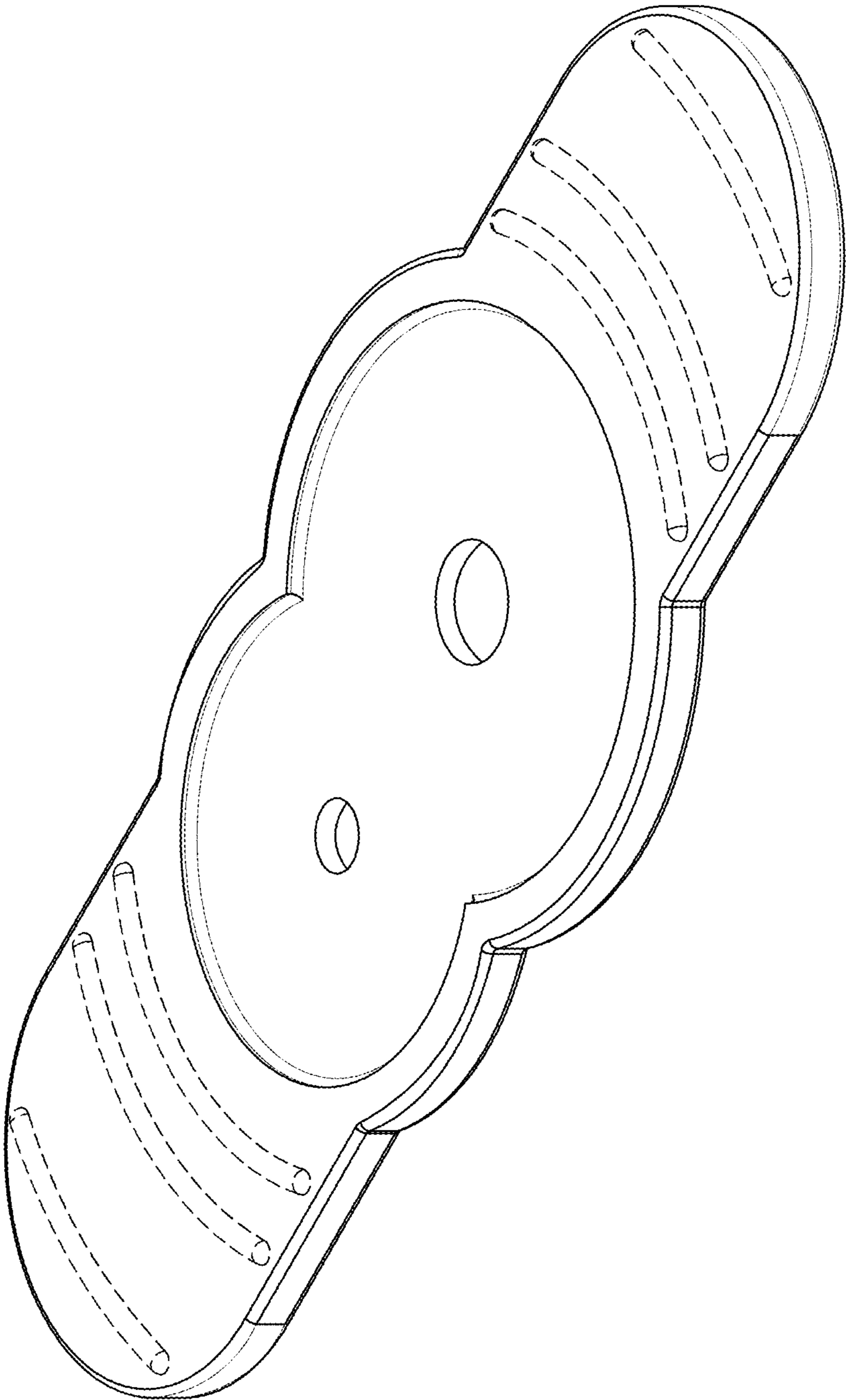


FIG. 1

FIG. 2

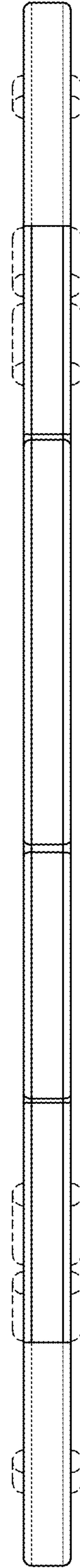
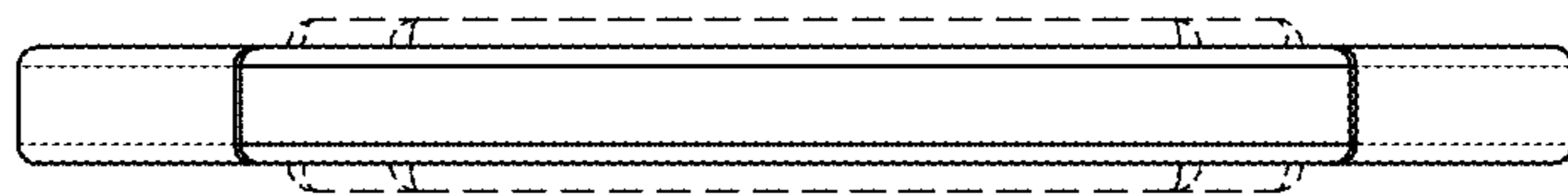


FIG. 3



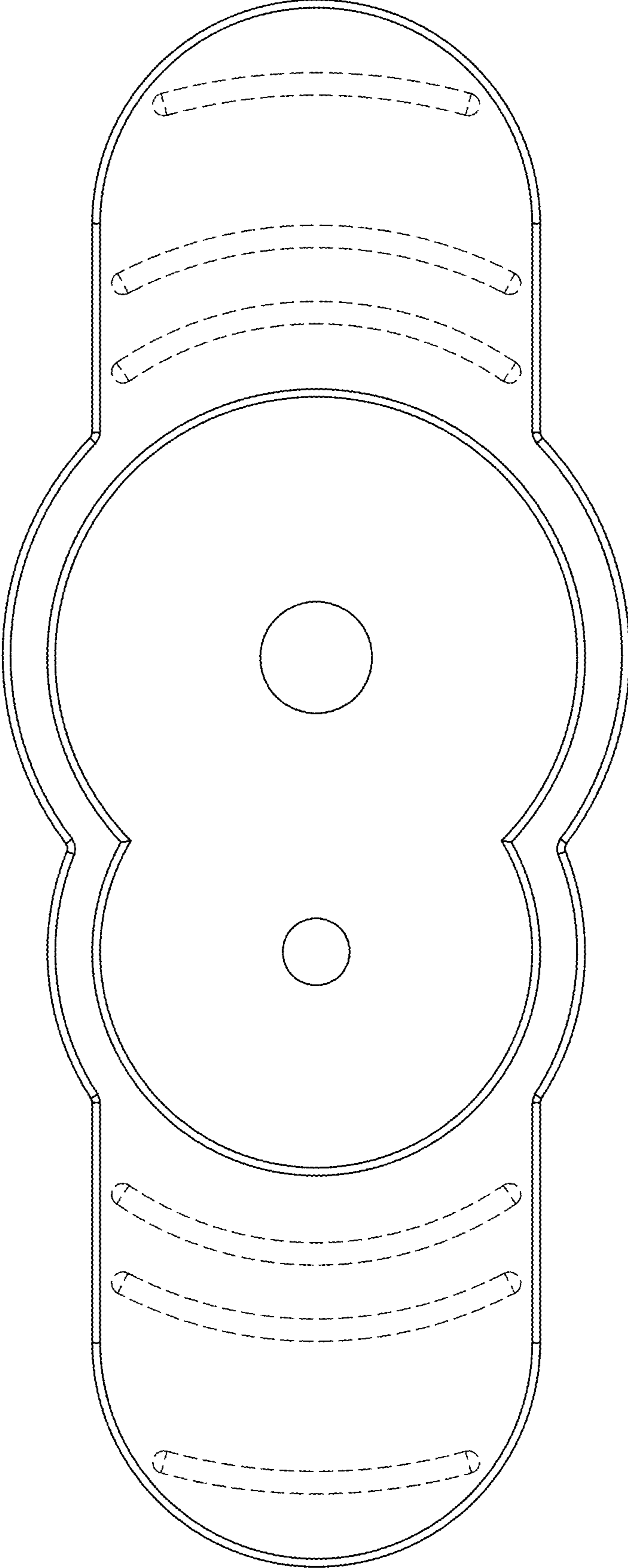


FIG. 4

FIG. 5

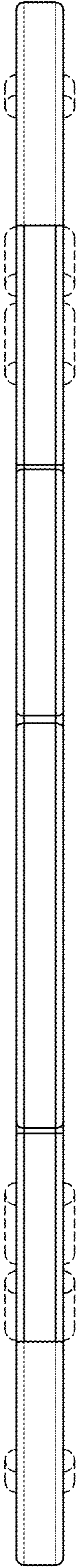
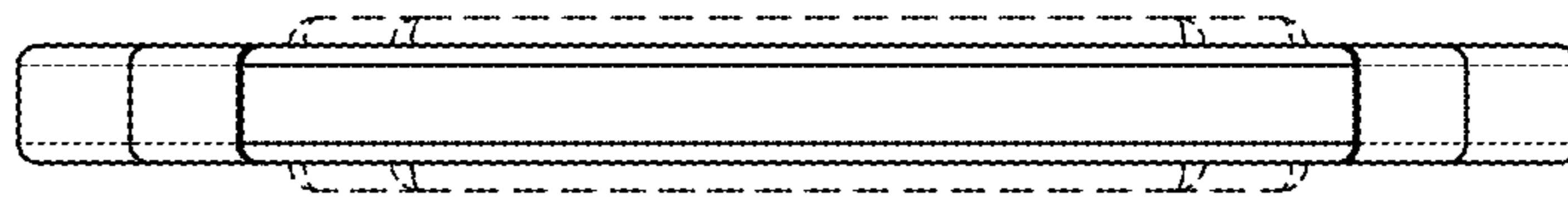


FIG. 6



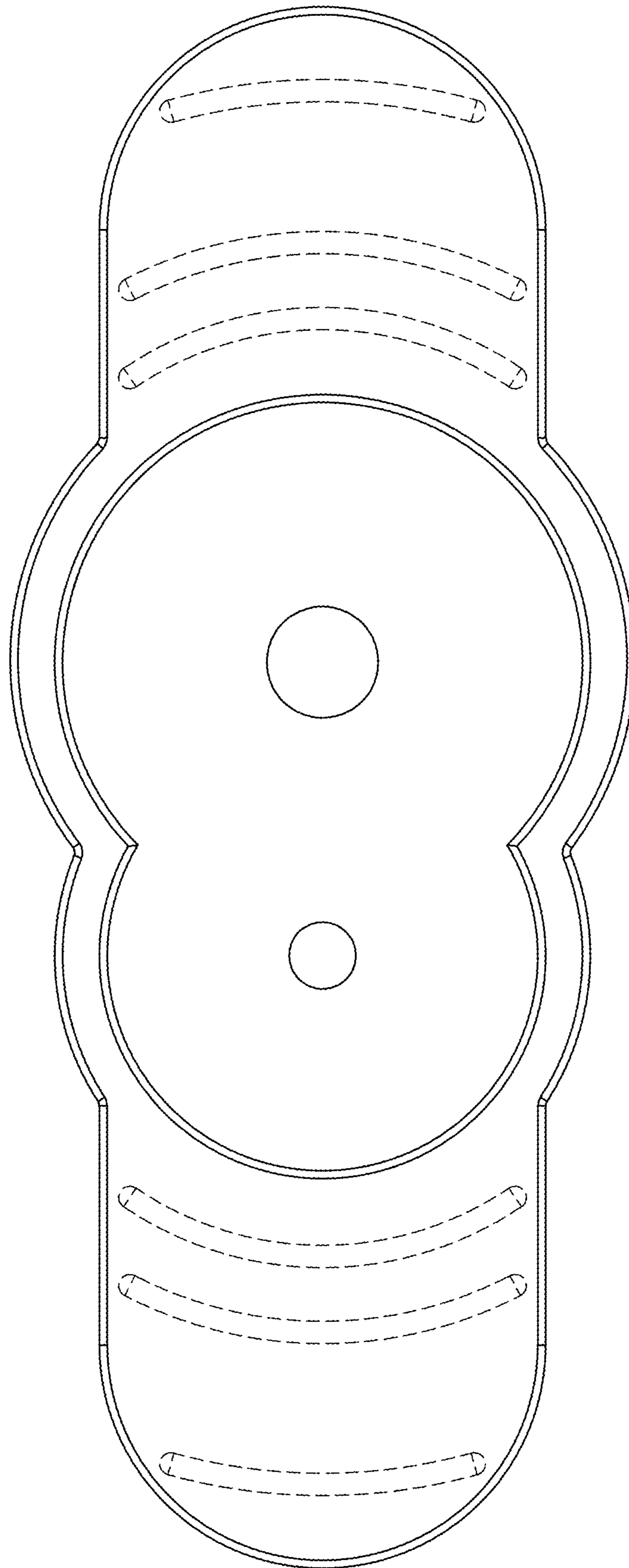


FIG. 7