



US00D973873S

(12) **United States Design Patent**  
**Tyrasing et al.**

(10) **Patent No.: US D973,873 S**

(45) **Date of Patent: \*\* Dec. 27, 2022**

(54) **SYRINGE**

(71) Applicant: **GALDERMA HOLDING SA**, La  
Tour-de-Peilz (CH)

(72) Inventors: **Oliver Tyrasing**, Uppsala (SE); **Oscar  
Ullsten**, Uppsala (SE)

(73) Assignee: **GALDERMA HOLDING SA**, Zug  
(CH)

(\*\*) Term: **15 Years**

(21) Appl. No.: **29/795,863**

(22) Filed: **Jun. 21, 2021**

(51) **LOC (13) Cl. .... 24-02**

(52) **U.S. Cl.**  
USPC ..... **D24/130**

(58) **Field of Classification Search**  
USPC ..... D24/144, 129, 130, 112, 113, 127, 128,  
D24/114  
CPC ..... A61M 5/178; A61M 3/00; A61M 5/20;  
A61M 5/31; A61M 5/3137  
See application file for complete search history.

(56) **References Cited**

**U.S. PATENT DOCUMENTS**

D397,790 S	9/1998	Naganuma	
D425,198 S	5/2000	Porta	
D620,591 S *	7/2010	Young	D24/130
D641,078 S *	7/2011	Morgan	D24/114
D668,760 S *	10/2012	Kawamura	D24/130
D675,317 S	1/2013	Baxter et al.	
D710,005 S	7/2014	Kawamura	
D777,325 S	1/2017	Aneas	

(Continued)

**FOREIGN PATENT DOCUMENTS**

EM	008584866-0001	*	6/2021
HK	1802332-0002	*	7/2019

(Continued)

**OTHER PUBLICATIONS**

Restylane Defyne (1X1ML) QMED Galderma, Restylane—QMED—  
Galderma, France HHealth, [Post date unknown], site seen [Jul. 20,  
2022], Seen at URL: <https://www.france-health.com/en/home/4894-restylane-defyne-1x1ml-qmed-galderma.html> (Year: 2022).\*

(Continued)

*Primary Examiner* — Natasha Vujcic  
*Assistant Examiner* — Gilbert B Ford

(74) *Attorney, Agent, or Firm* — Kiri Lee Sharon; Foley  
& Lardner LLP

(57) **CLAIM**

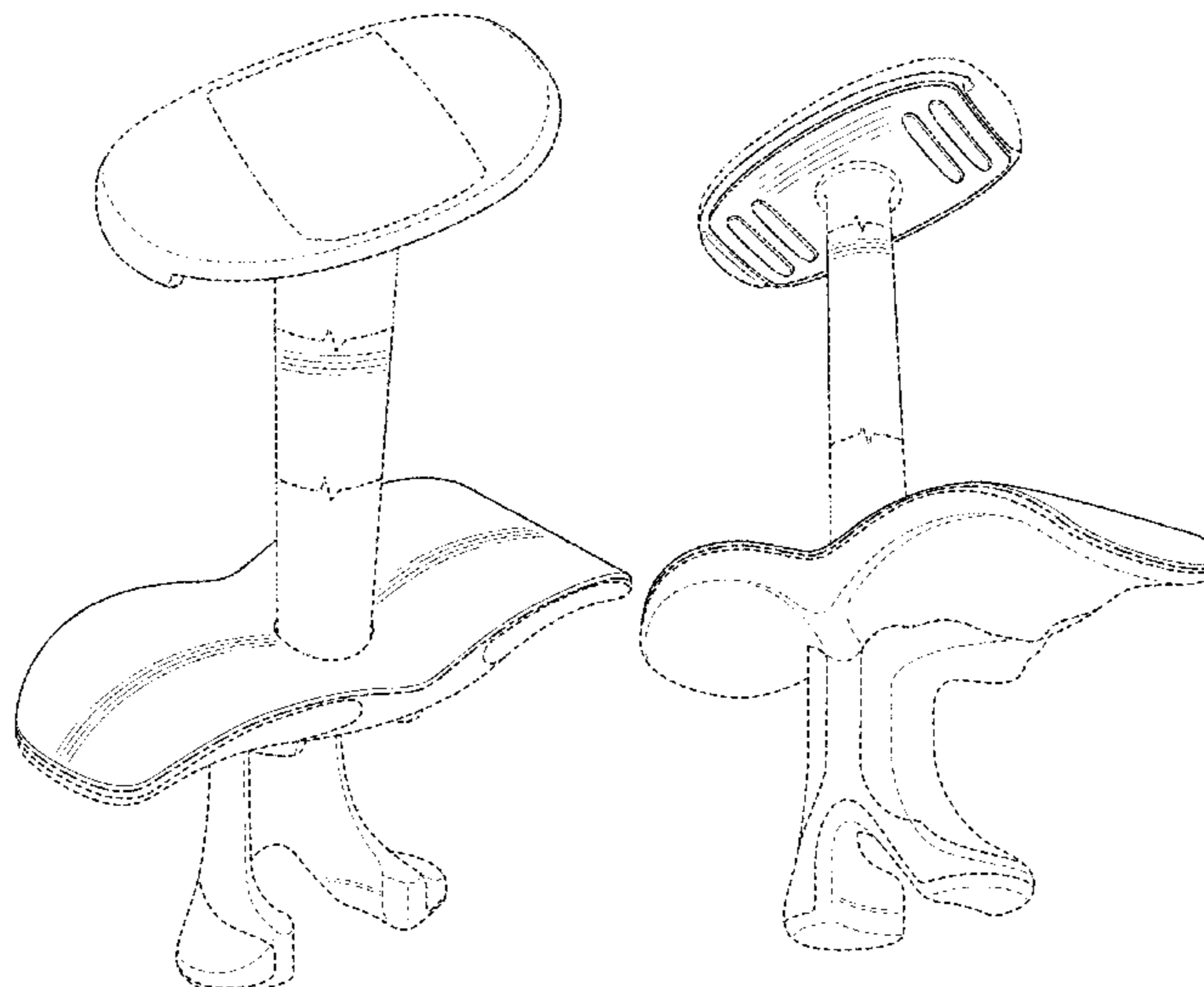
We claim the ornamental design for a syringe, as shown and  
described.

**DESCRIPTION**

FIG. 1 is a top front perspective view of a syringe according  
to the claimed design;  
FIG. 2 is a bottom front perspective view thereof;  
FIG. 3 is a left rear perspective view thereof;  
FIG. 4 is right rear perspective view thereof;  
FIG. 5 is a front view thereof  
FIG. 6 is a rear view thereof;  
FIG. 7 is a top perspective view of a portion of the syringe  
of FIG. 1;  
FIG. 8 is a bottom perspective view thereof;  
FIG. 9 is a front view thereof;  
FIG. 10 is a left side view thereof;  
FIG. 11 is a top view thereof; and,  
FIG. 12 is a bottom view thereof.

The broken lines in the drawings illustrate portions of the  
syringe and form no part of the claimed design. The break  
lines indicate that the appearance of any portion of the  
syringe between the break lines forms no part of the claimed  
design.

**1 Claim, 11 Drawing Sheets**



(56)

References Cited

U.S. PATENT DOCUMENTS

D790,691 S 6/2017 Davis et al.  
 D793,552 S 8/2017 Schiller et al.  
 D794,185 S 8/2017 Dolk et al.  
 D796,670 S \* 9/2017 Dolk ..... D24/130  
 D797,282 S 9/2017 Dolk et al.  
 D798,444 S 9/2017 Darras et al.  
 D799,034 S 10/2017 Nguyen  
 D800,900 S 10/2017 Darras et al.  
 D812,223 S 3/2018 Evans et al.  
 D814,026 S 3/2018 Darras et al.  
 D815,279 S 4/2018 Darras et al.  
 D842,463 S 3/2019 Grunhut  
 D845,476 S 4/2019 Evans et al.  
 D865,949 S \* 11/2019 Mandaroux ..... D24/114  
 D866,753 S \* 11/2019 Mandaroux ..... D24/114  
 D867,582 S \* 11/2019 Mandaroux ..... D24/114  
 10,857,306 B2 \* 12/2020 Holmqvist ..... A61M 5/31578  
 D914,208 S 3/2021 Shabudin et al.  
 D954,942 S \* 6/2022 Lee ..... D24/114  
 2009/0137966 A1 5/2009 Rueckert et al.  
 2012/0220948 A1 8/2012 Barbour  
 2018/0243513 A1 8/2018 Rolfs et al.

FOREIGN PATENT DOCUMENTS

JP D1067331 4/2000  
 KR 300926536 10/2017

KR 300926537 10/2017  
 KR 300932430.0000 \* 11/2017  
 KR 101900427 B1 9/2018  
 KR 301158293 4/2022  
 WO WO-2017/176476 10/2017  
 WO WO-2021/220228 11/2021

OTHER PUBLICATIONS

Author: Thierry, Bi-Soft, Reinventing the syringe, Anti-age Magazine, [Post date: Unknown], [Site seen Jul. 20, 2022], Seen at URL: <https://en.anti-age-magazine.com/bi-soft-re-inventing-syringe/> (Year: 2022).\*

International Search Report and Written Opinion for related International Patent Application No. PCT/IB2021/053601 dated May 25, 2021.

U.S. Appl. No. 29/763,036, filed Dec. 21, 2020, Galderma S.A. Excerpt from “BD add-on finger flange,” BD, bd.com, 2022, 1 page, <https://drugdeliverysystems.bd.com/products/safety-and-shielding-systems/add-on-finger-flange> (accessed Jul. 14, 2022).

“Restylane Defyne (1x1 ML) QMED Galderma,” Restylane—QMED—Galderma, France-Health, <https://www.france-health.com/en/home/4894-restylane-defyne-1x1ml-qmed-galderma.html>, (accessed Jul. 14, 2022), 1 page.

Notice of Allowance on U.S. Appl. No. 29/763,036 dated Aug. 8, 2022 (8 pages).

\* cited by examiner

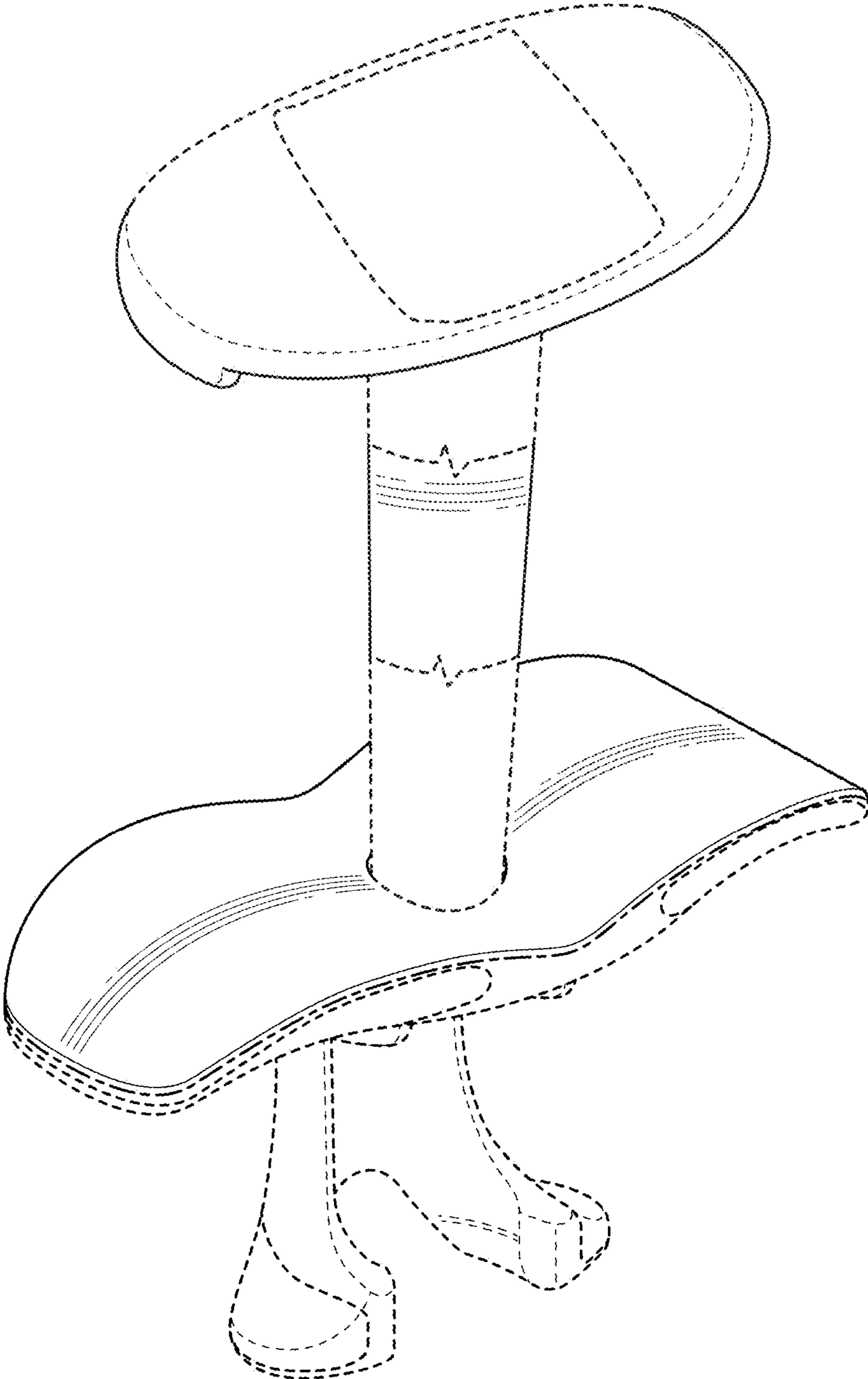


FIG. 1

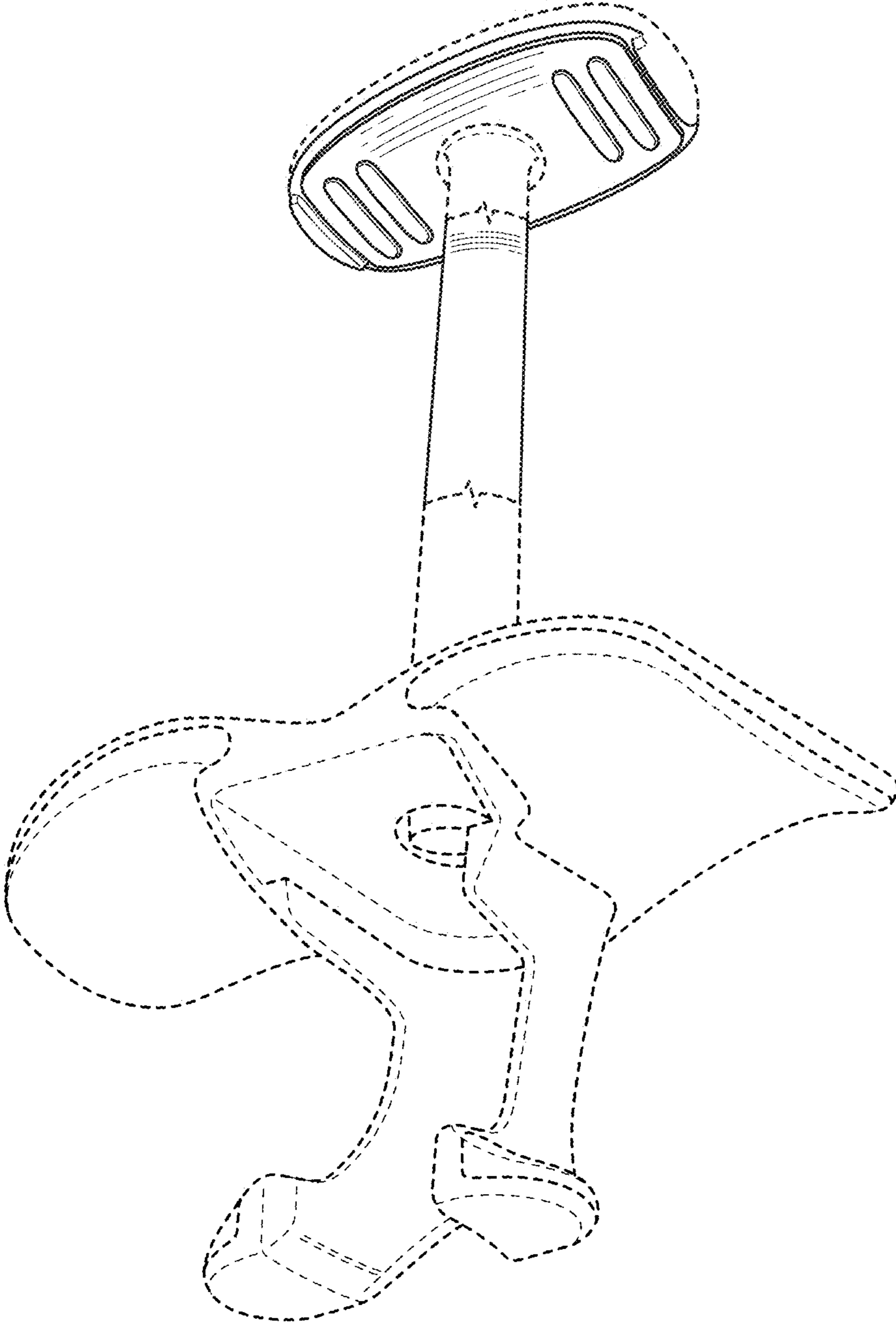


FIG. 2

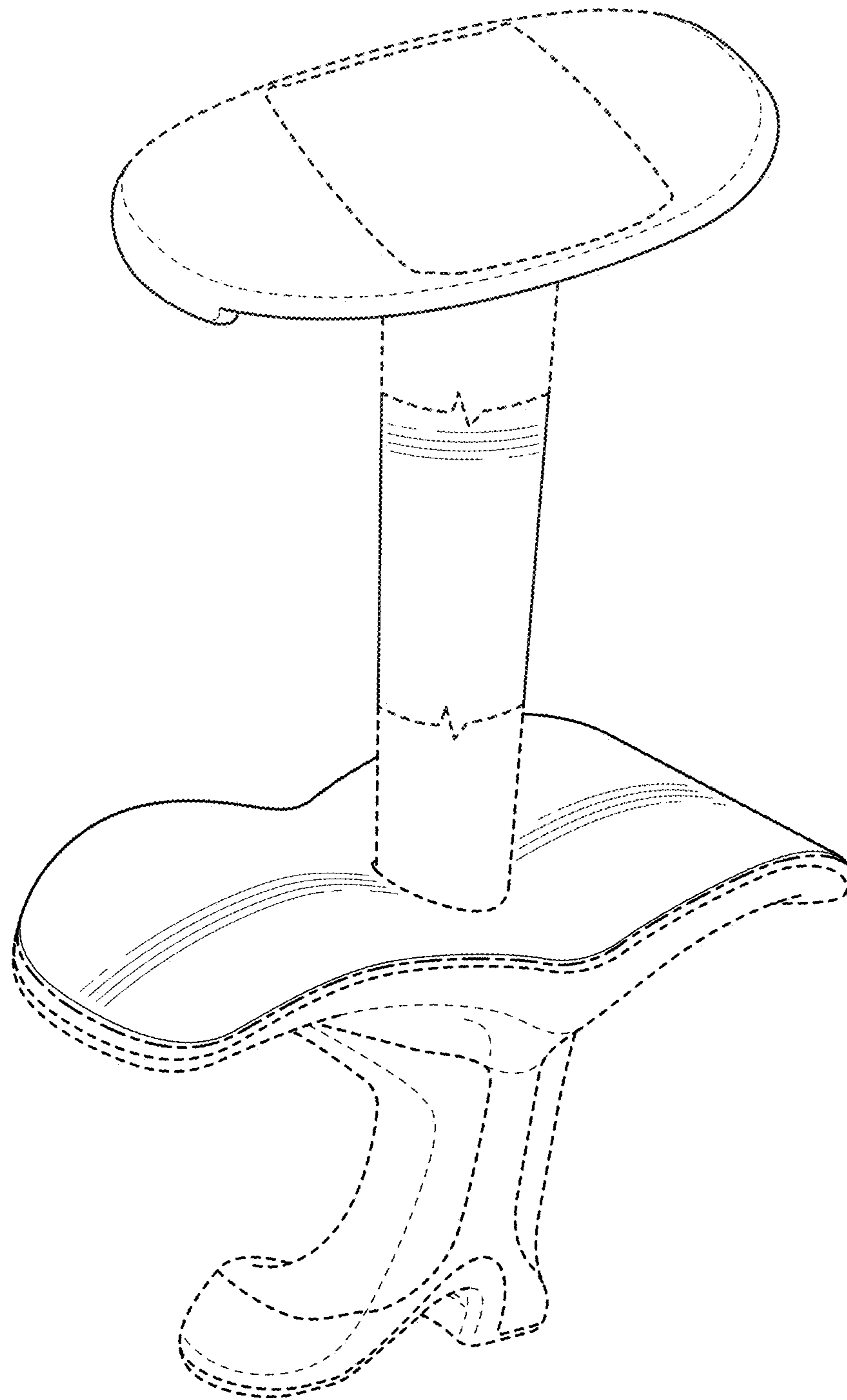


FIG. 3

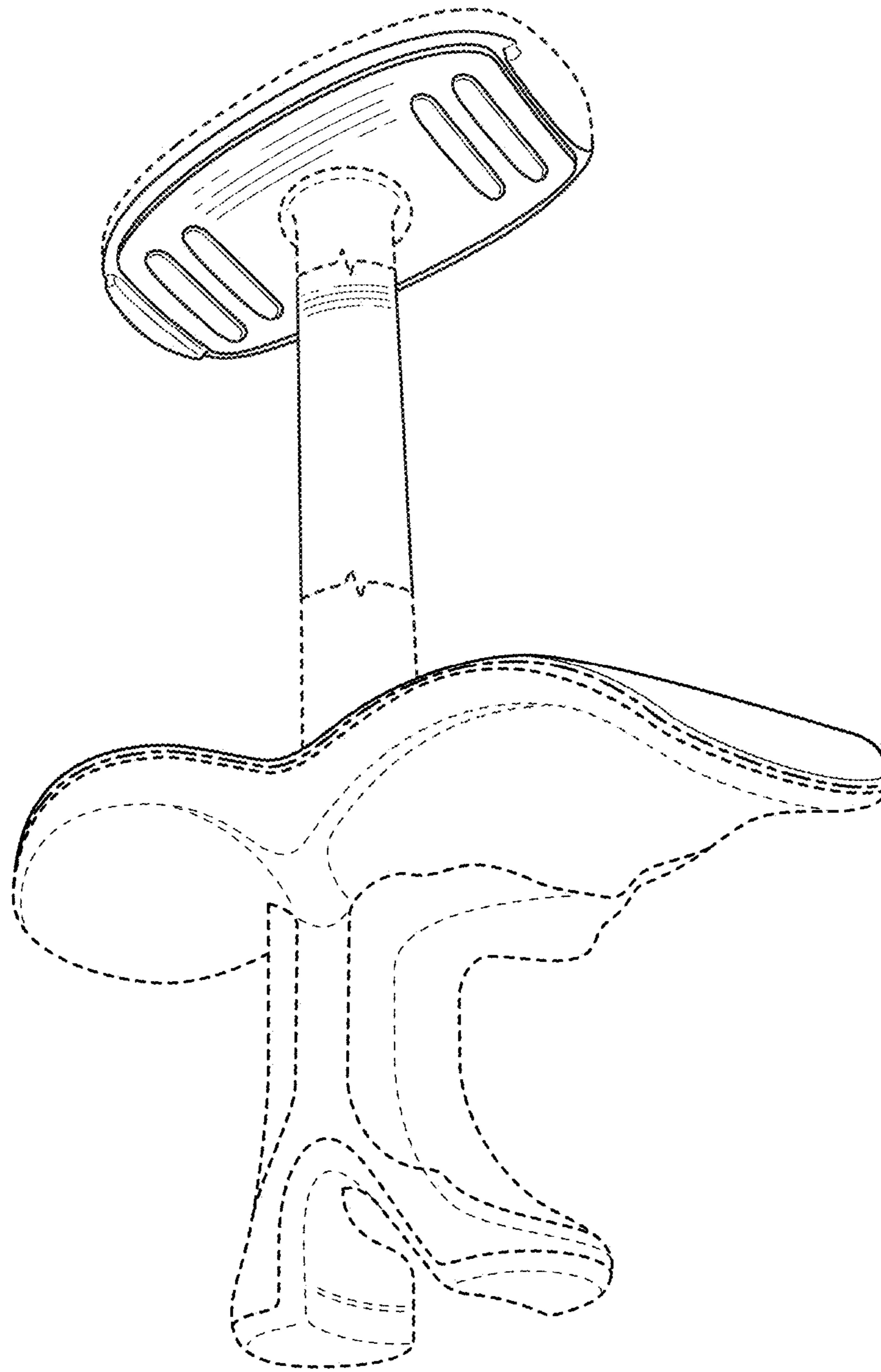


FIG. 4

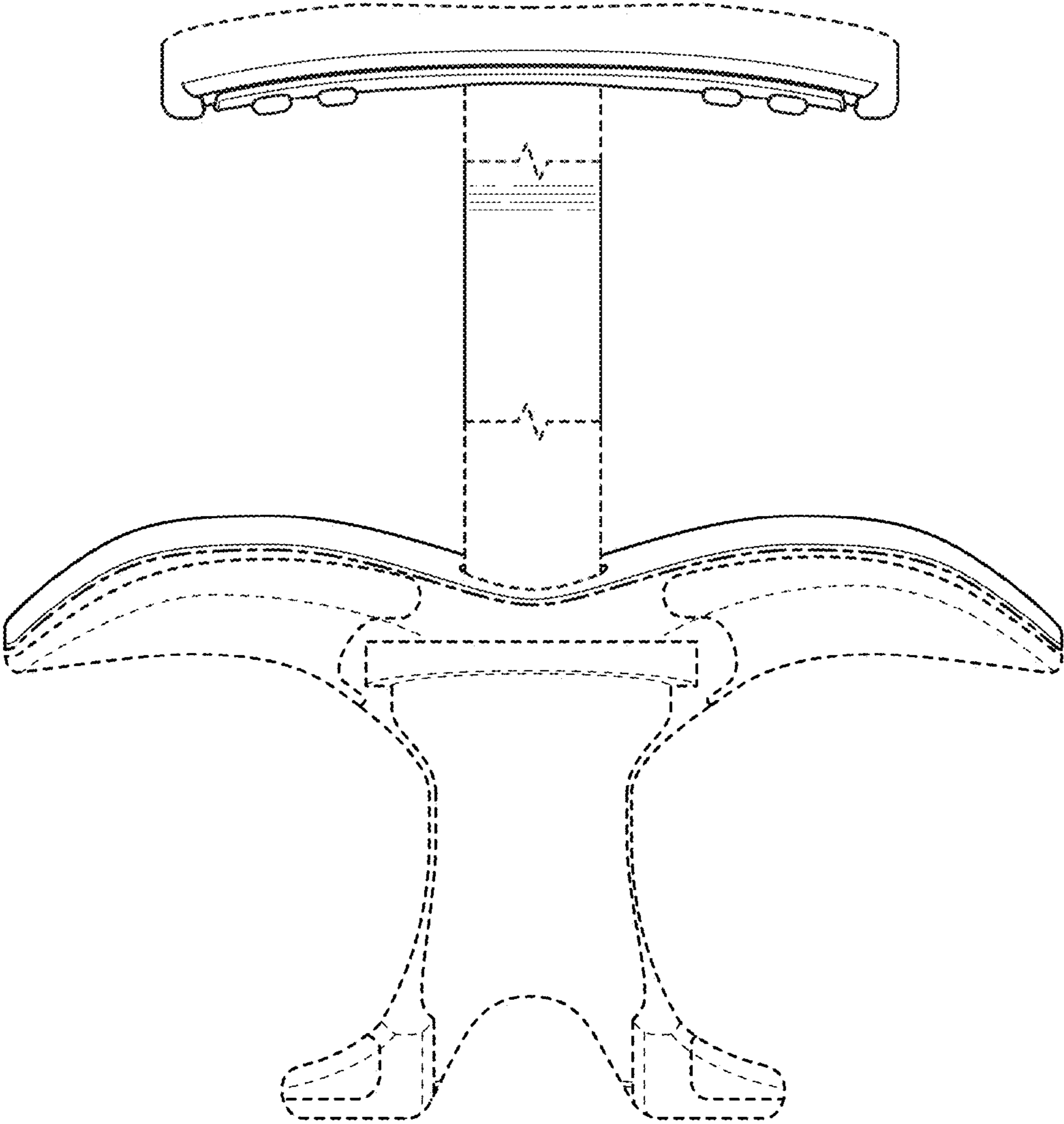


FIG. 5

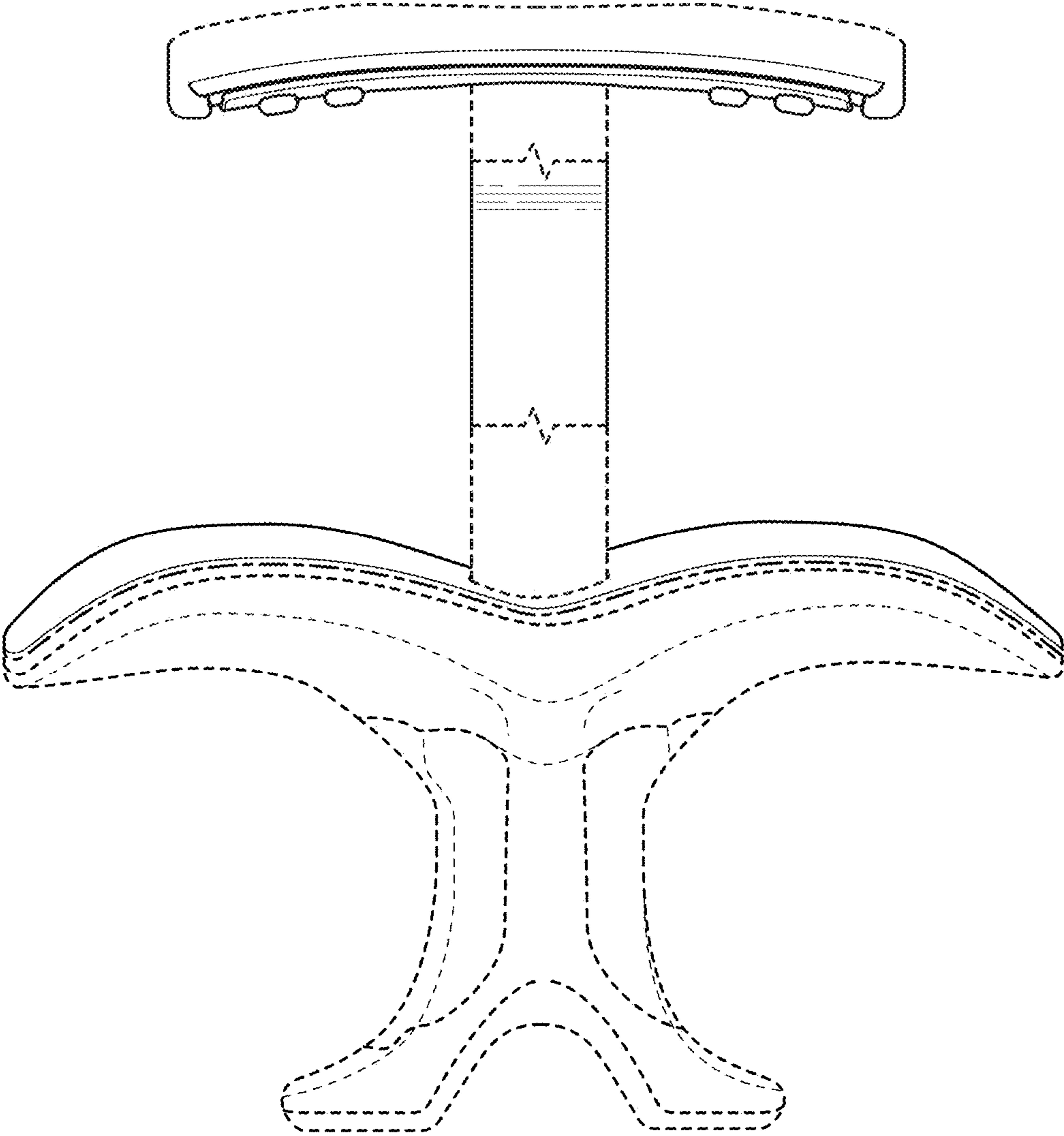


FIG. 6



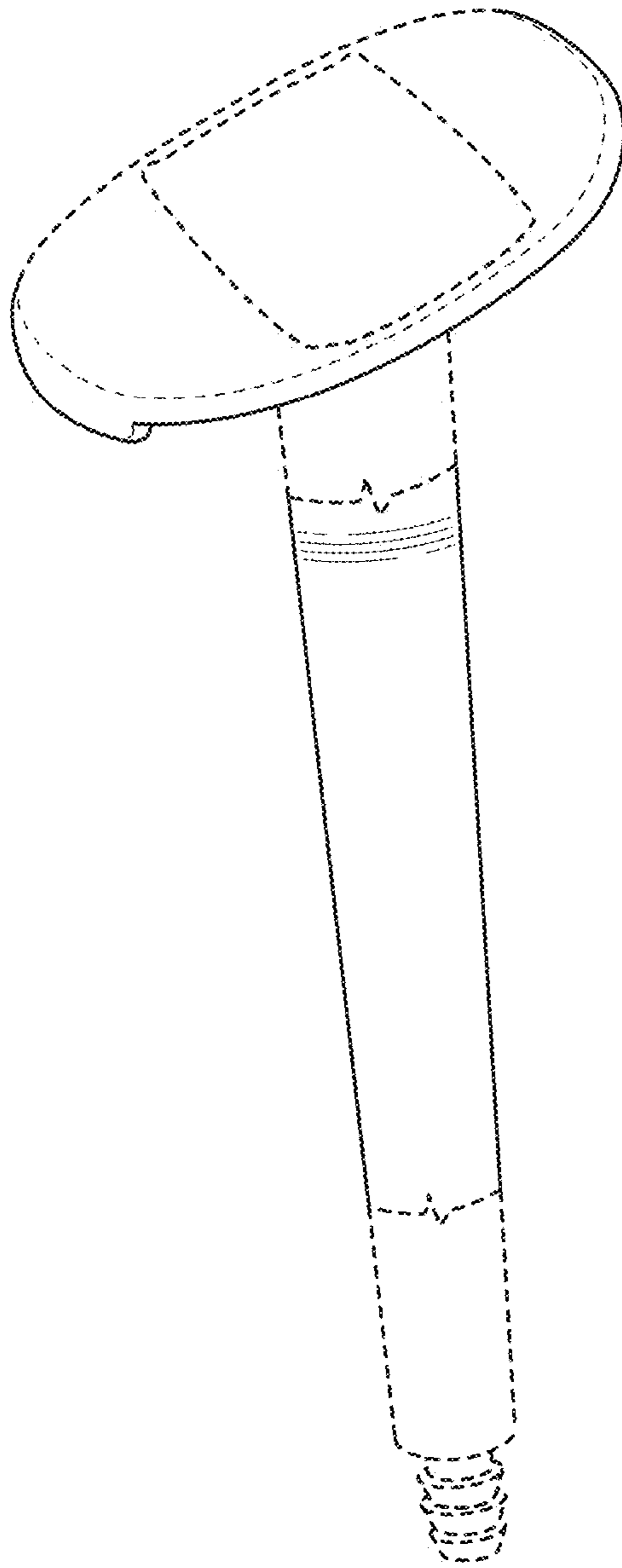


FIG. 7

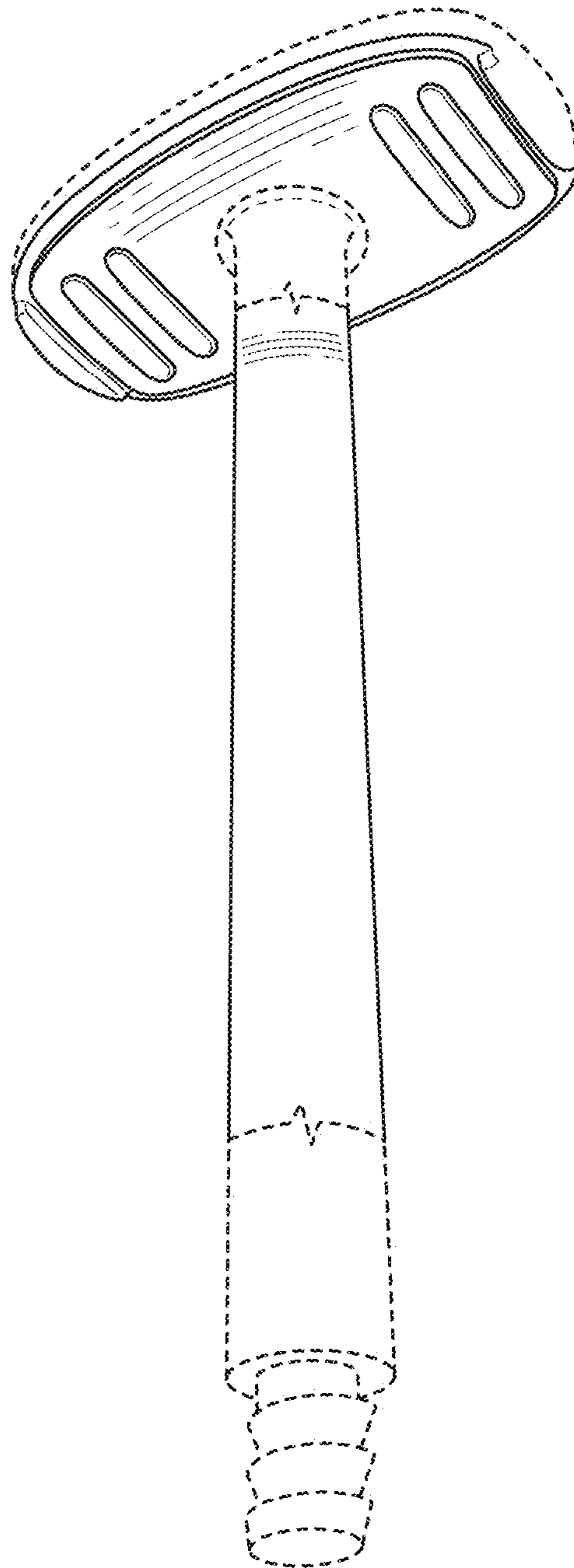


FIG. 8

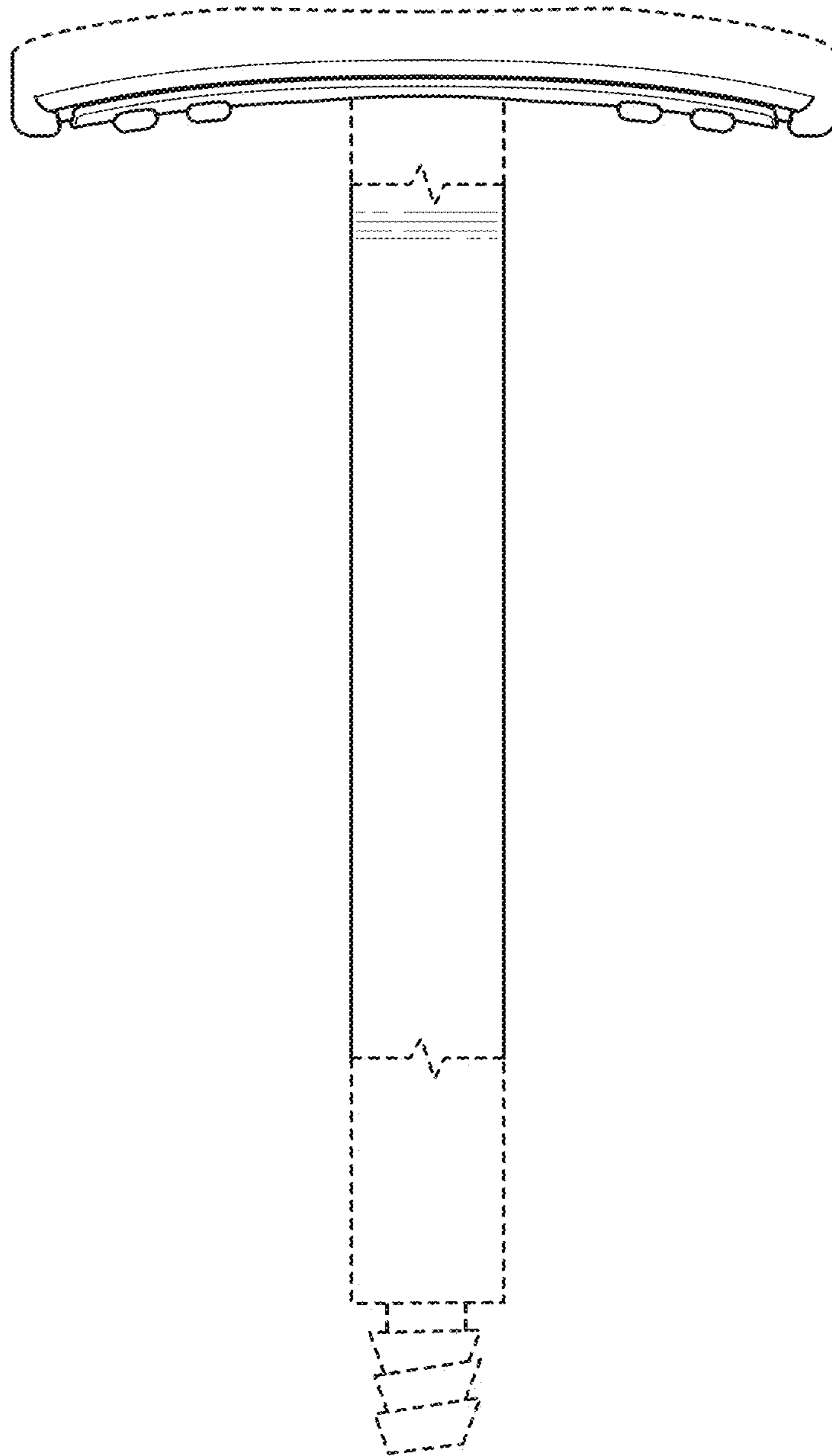


FIG. 9

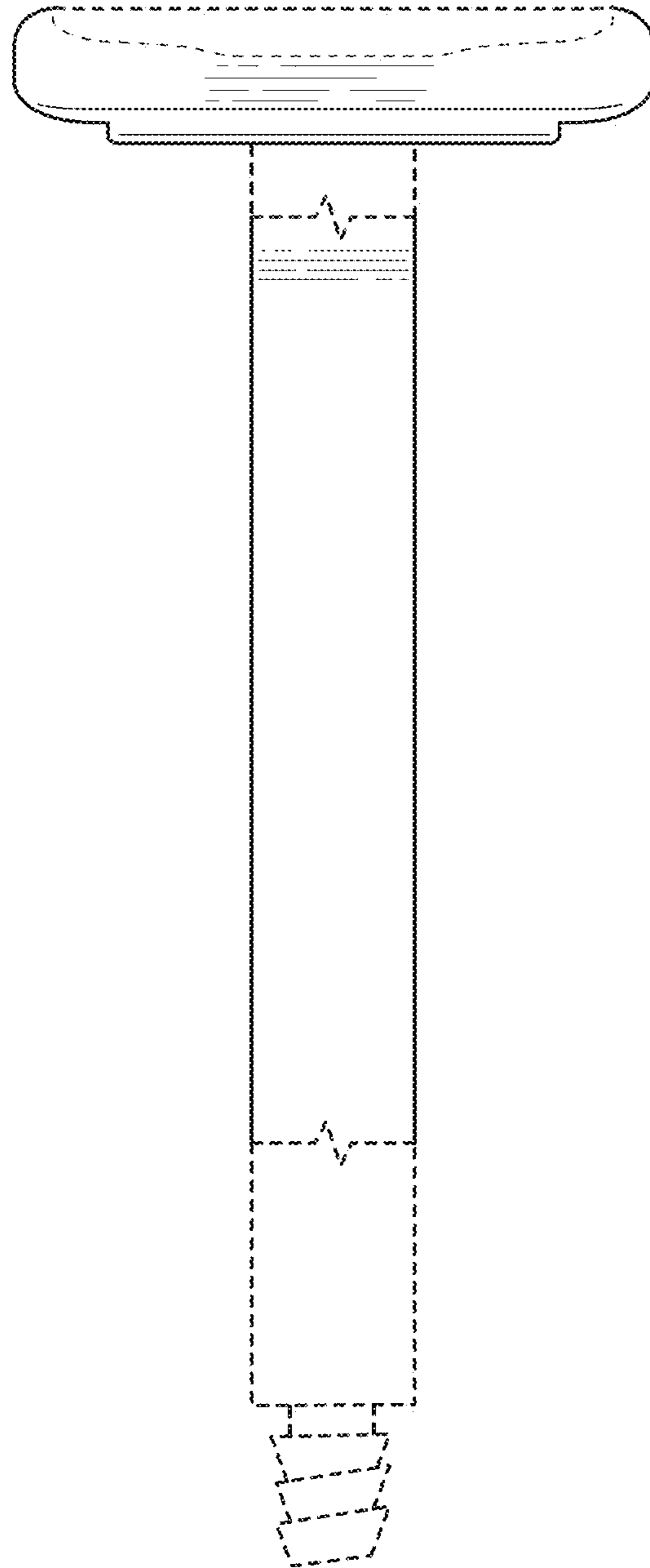


FIG. 10

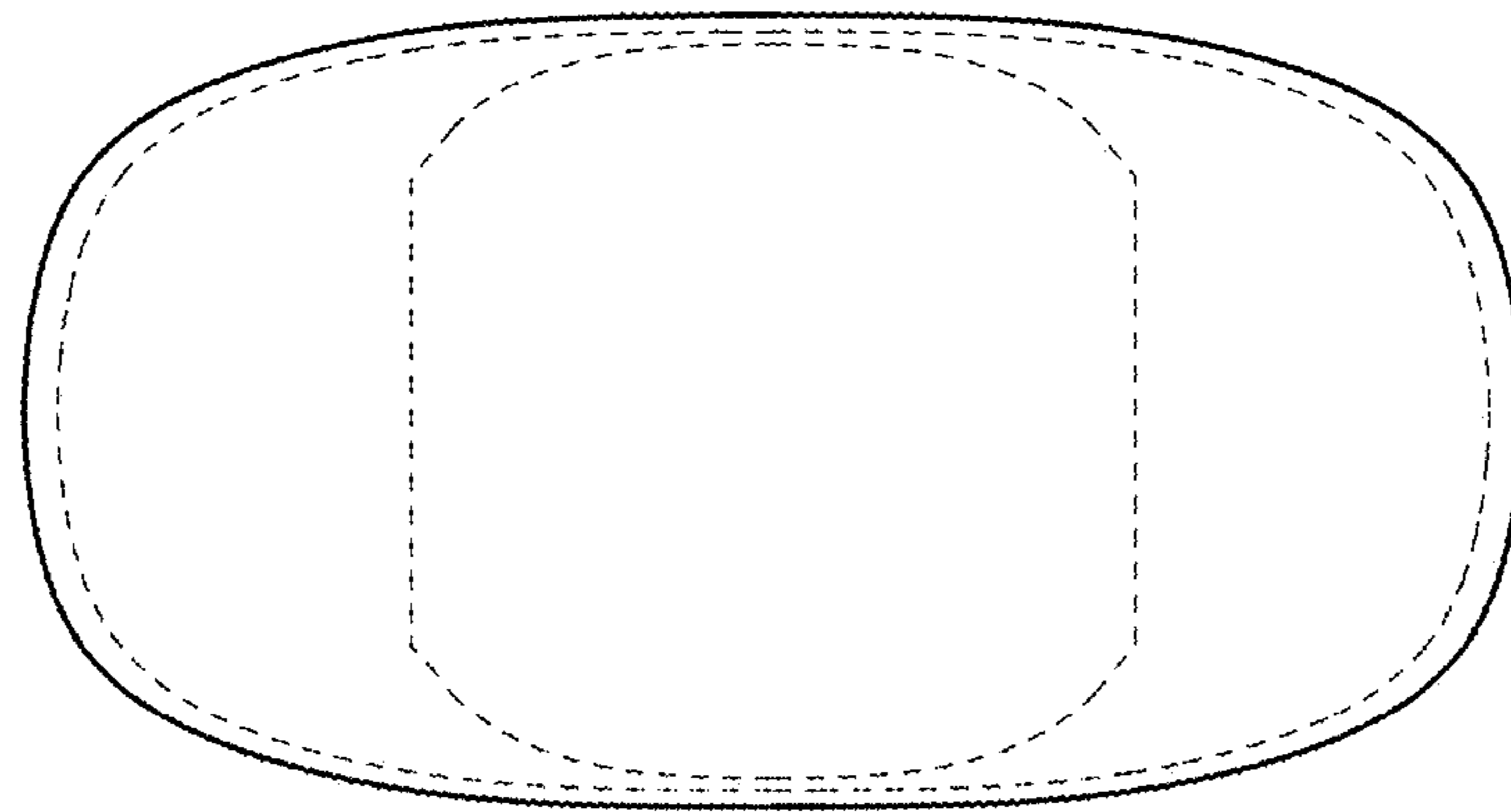


FIG. 11

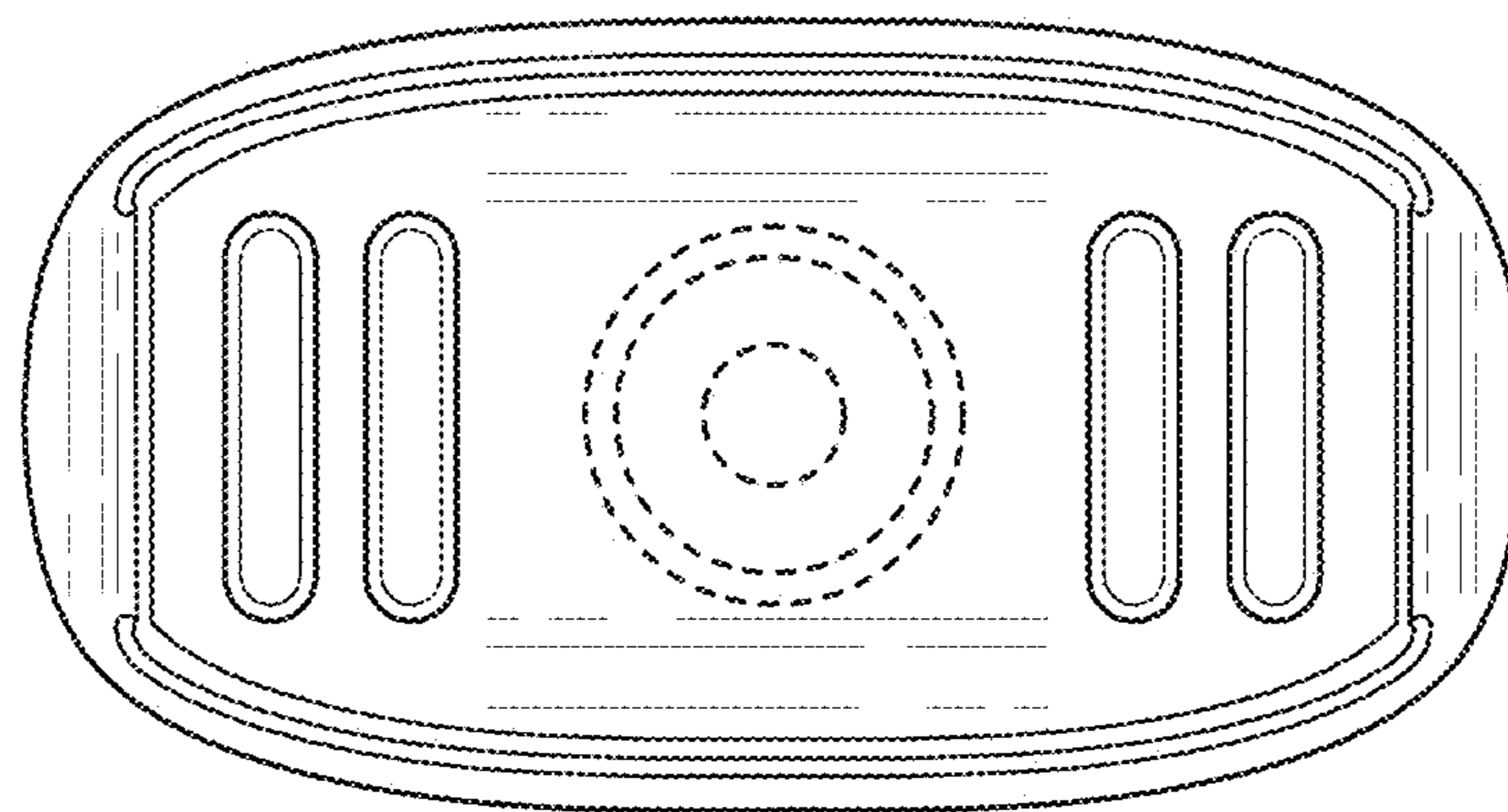


FIG. 12