



US00D973871S

(12) **United States Design Patent** (10) **Patent No.:** **US D973,871 S**
Borowek et al. (45) **Date of Patent:** **** Dec. 27, 2022**

(54) **PUSHROD**

9,775,951 B2 * 10/2017 Boehm B29C 45/0046
D819,203 S * 5/2018 Grunhut D24/130
D911,519 S * 2/2021 Newlove D24/130
D938,025 S * 12/2021 Pitulat D24/127

(Continued)

(71) Applicant: **Merz Pharma GmbH & Co. KGaA**,
Frankfurt am Main (DE)

(72) Inventors: **Dany Borowek**, Frankfurt am Main
(DE); **Kai Tiesberger**, Weinheim (DE);
Sophie Costiou Charretour, Milan
(IT)

FOREIGN PATENT DOCUMENTS

JP D1575941 * 5/2017
WO D213992-002 * 10/2021
WO D213992-003 * 10/2021

(73) Assignee: **Merz Pharma GMBH & CO. KGAA**,
Frankfurt am Main (DE)

OTHER PUBLICATIONS

(**) Term: **15 Years**

BD Plunger Rods, BD, [Post Date unknown], [Site seen Aug. 3,
2022], Seen at URL: <https://drugdeliversystems.bd.com/products/prefillable-syringe-systems/add-ons-and-components/plunger-rods> (Year:
2022).*

(21) Appl. No.: **29/772,647**

(Continued)

(22) Filed: **Mar. 3, 2021**

(30) **Foreign Application Priority Data**

Oct. 30, 2020 (EM) 008220818-0008

(51) **LOC (13) Cl.** **24-02**

(52) **U.S. Cl.**
USPC **D24/130**

(58) **Field of Classification Search**
USPC D24/108, 110.6, 112-114, 127, 129, 130,
D24/133, 146, 147, 186, 231
CPC A61M 5/31501; A61M 2005/3151; A61M
5/3148; A61M 5/31513; A61M 5/31515
See application file for complete search history.

Primary Examiner — Natasha Vujcic
Assistant Examiner — Gilbert B Ford

(74) *Attorney, Agent, or Firm* — Gregory L. Mayback;
Dickinson Wright PLLC

(57) **CLAIM**

We claim, the ornamental design for a pushrod, as shown
and described.

DESCRIPTION

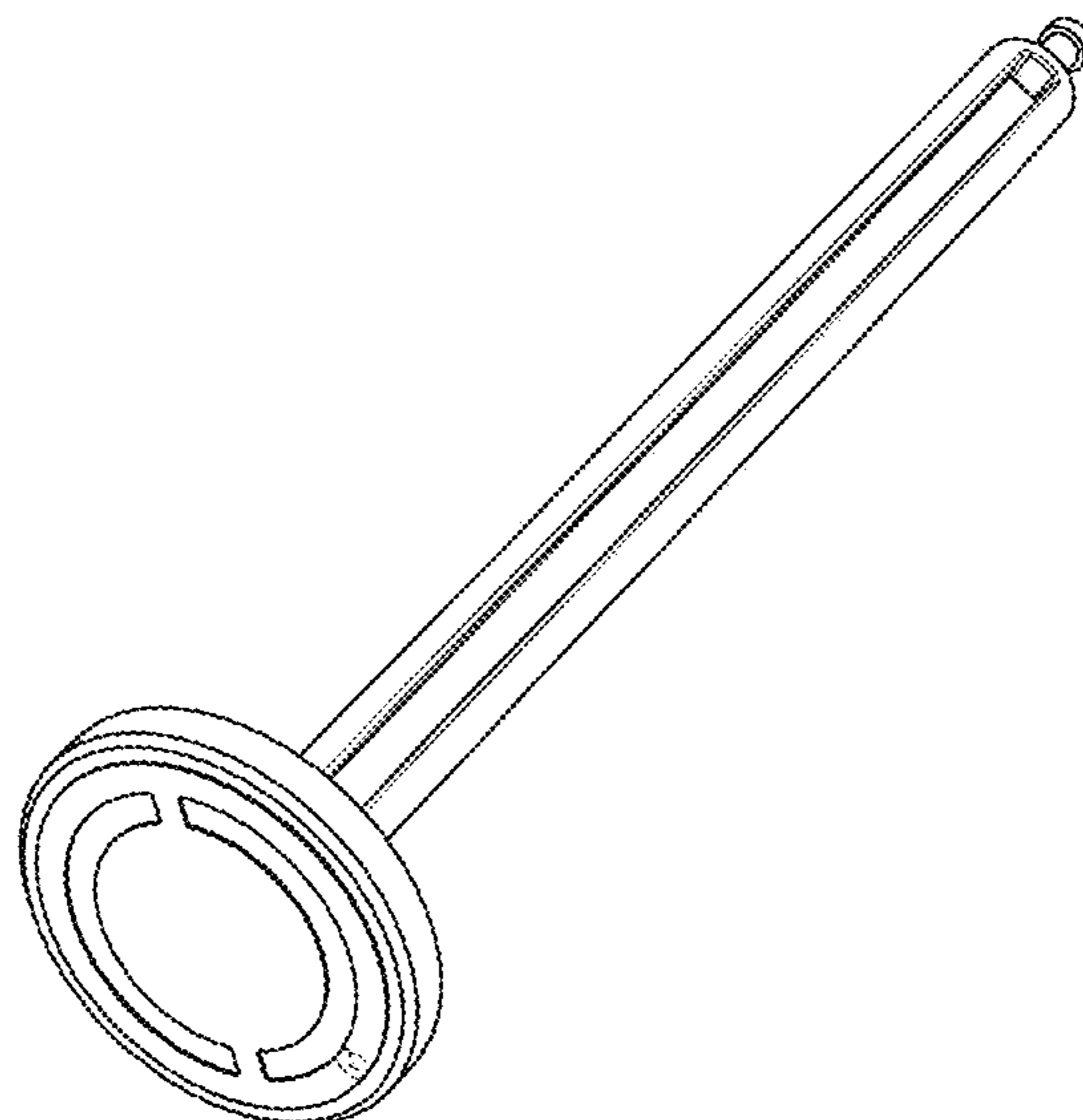
FIG. 1 is a side perspective view of a pushrod showing our
new design;
FIG. 2 is a top plan view thereof;
FIG. 3 is a bottom plan view thereof;
FIG. 4 is a front side elevation view thereof;
FIG. 5 is a back side elevation view thereof;
FIG. 6 is right side elevation thereof; and,
FIG. 7 is a left side elevation view thereof.
The broken lines in the drawings illustrate portions of the
pushrod and form no part of the claimed design.

(56) **References Cited**

U.S. PATENT DOCUMENTS

D203,730 S * 2/1966 Coanda 604/218
D322,317 S * 12/1991 Fischer D24/114
D432,231 S * 10/2000 Balestracci D24/114
D590,500 S * 4/2009 Sudo D24/130
D594,119 S * 6/2009 Berberich D24/108
D689,188 S * 9/2013 Lundquist D24/130
D690,807 S * 10/2013 Ivosevic D24/130
D722,160 S * 2/2015 Armstrong D24/130

1 Claim, 2 Drawing Sheets



(56)

References Cited

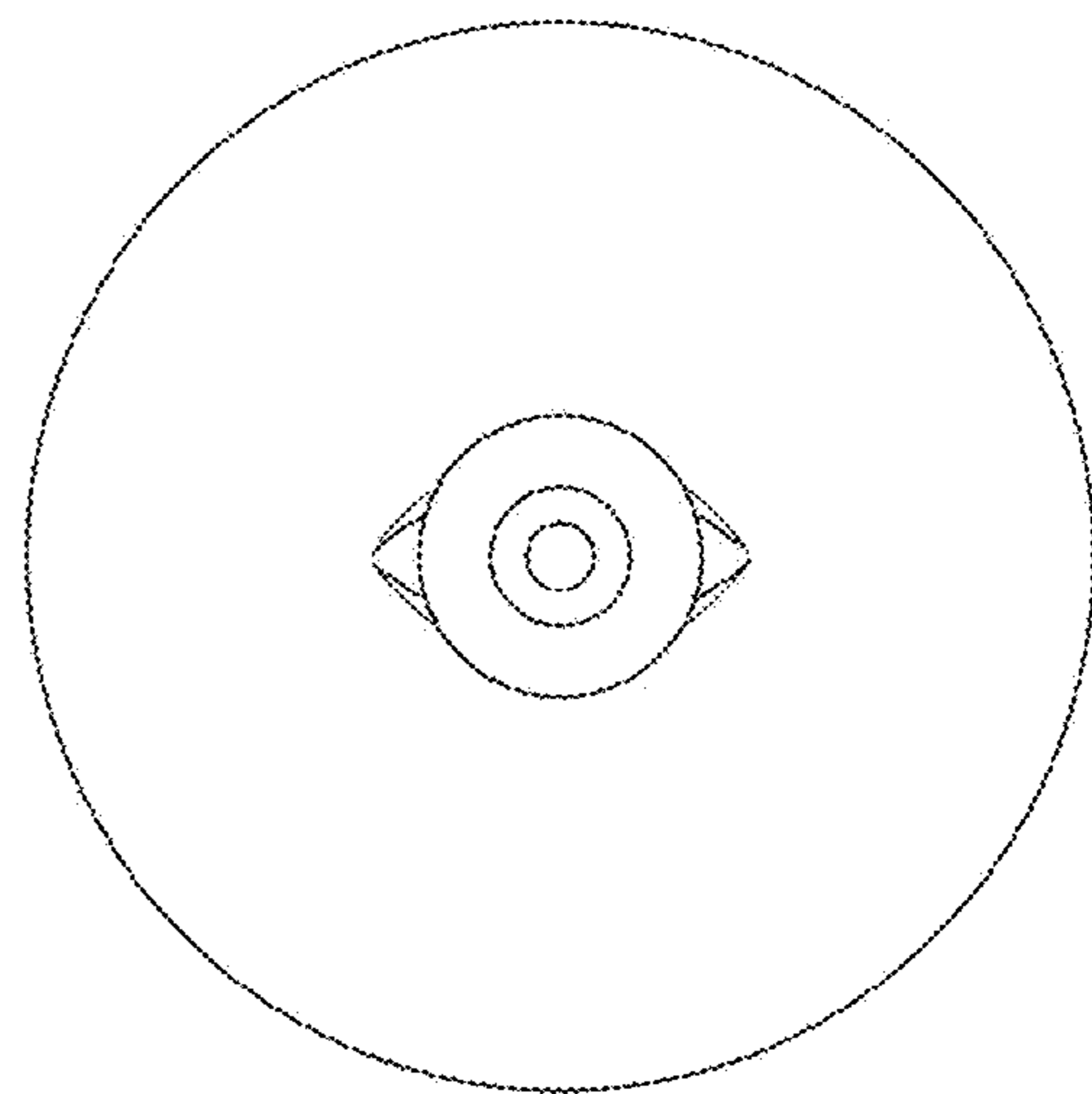
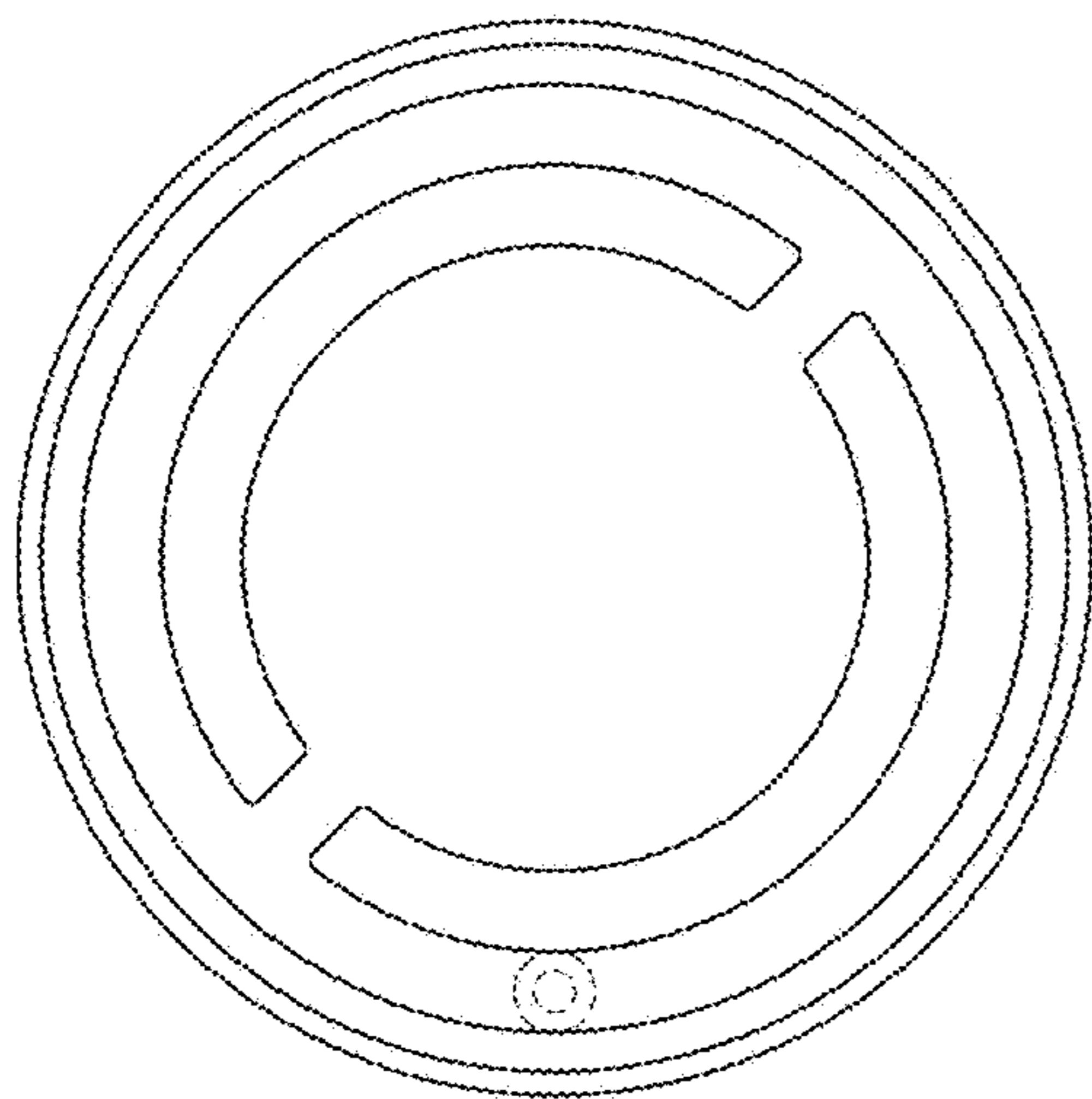
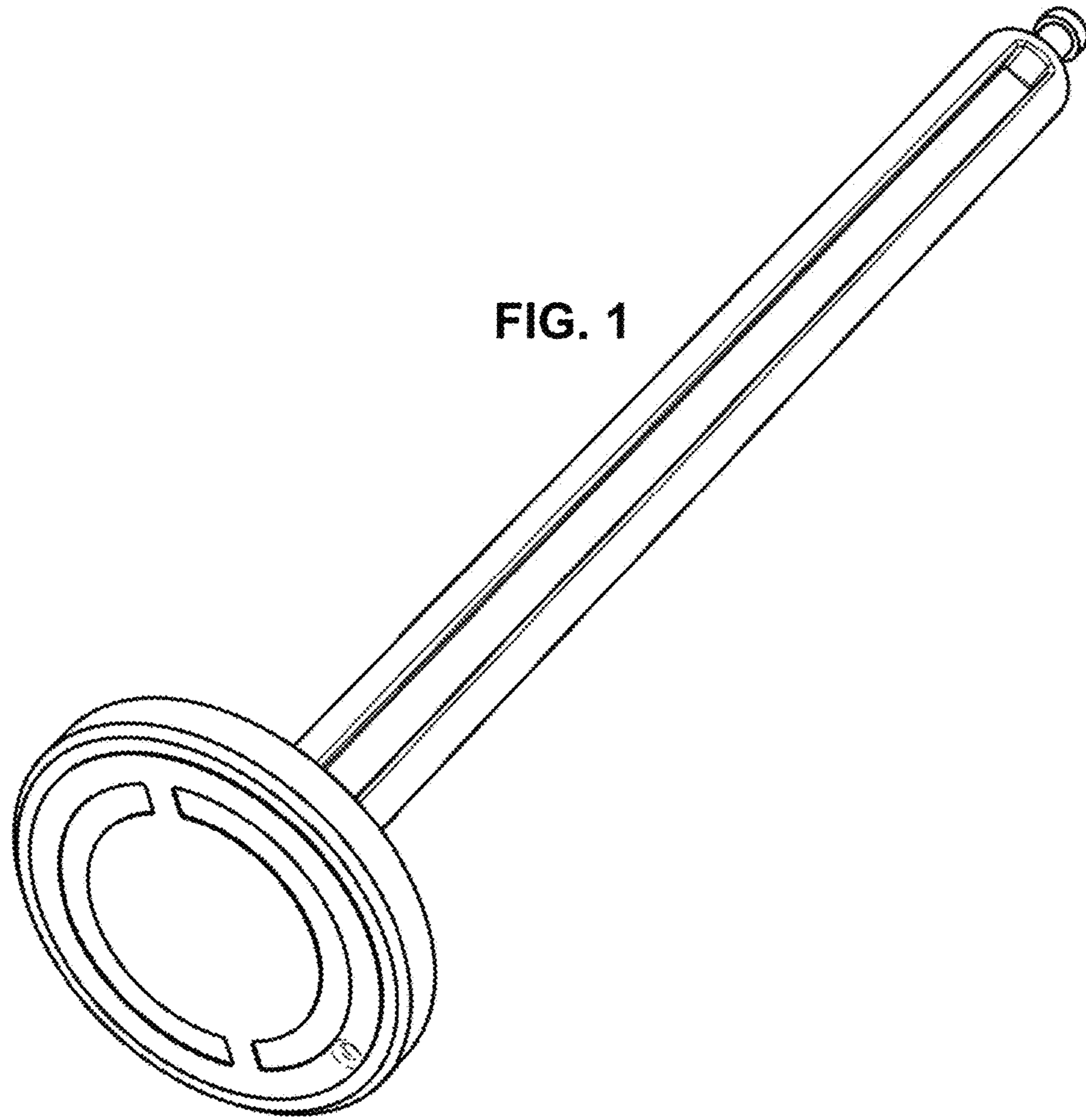
U.S. PATENT DOCUMENTS

11,229,430 B2 * 1/2022 Souls A61B 17/3417

OTHER PUBLICATIONS

Star 2I-Y9636 Plunger Rod, Star, [Post date unknown], [Site seen Aug. 3, 2022], Seen at URL: https://www.partstown.com/star/sta2i-y9636?gclid=EA1a1QobChMliKrqw6Sm-QIVNciUCR3VtQQeEAQYByABEgLAGvD_BwE&gclid=aw.ds (Year: 2022).*

* cited by examiner



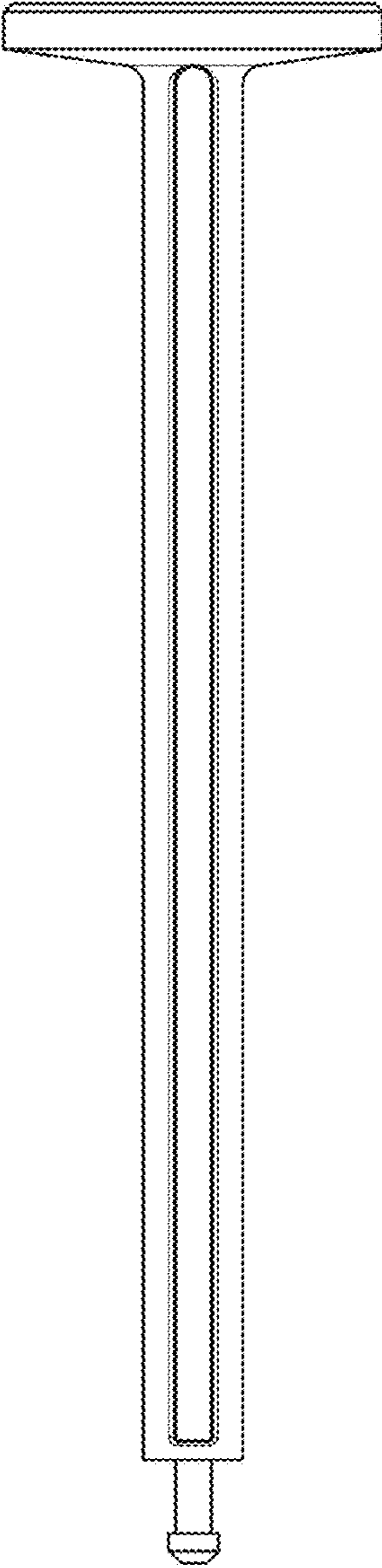


FIG. 4

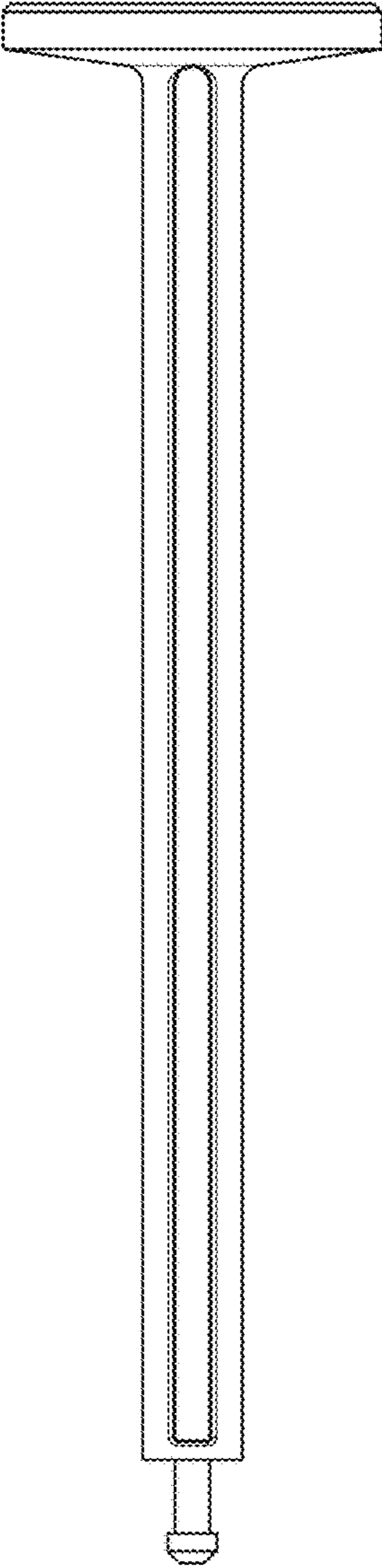


FIG. 5

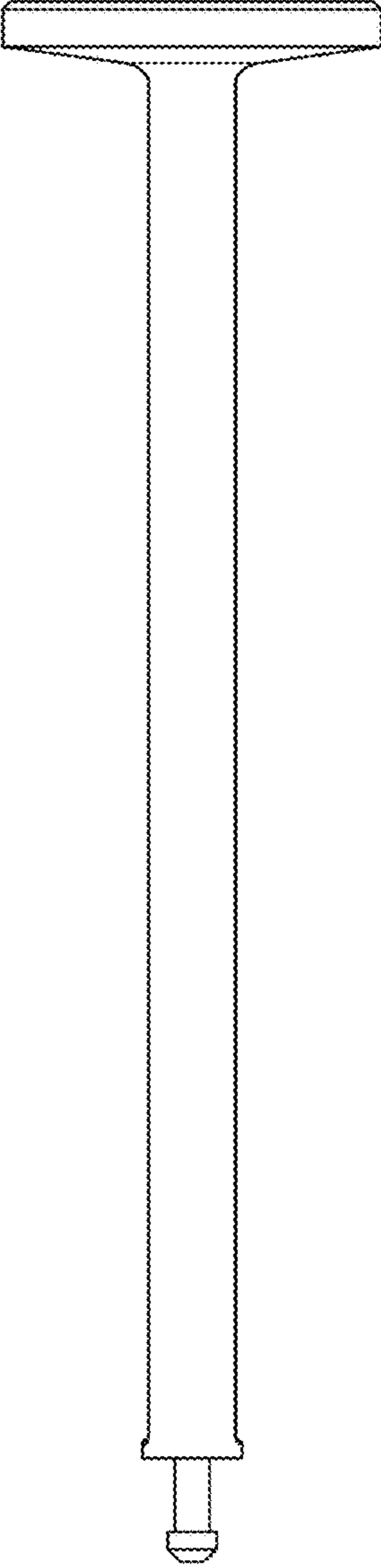


FIG. 6

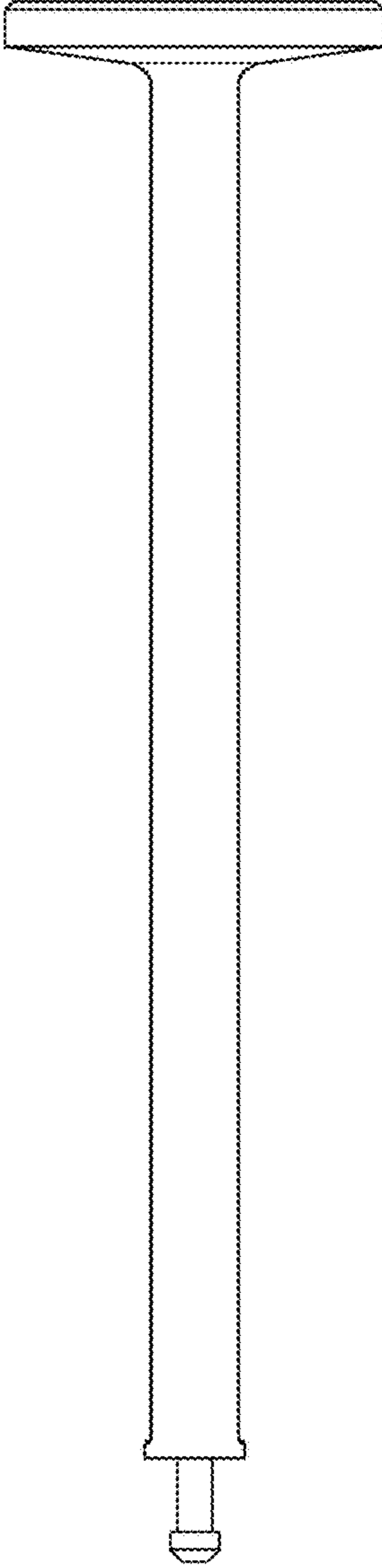


FIG. 7