



US00D973870S

(12) **United States Design Patent**
Cowan et al.

(10) **Patent No.:** **US D973,870 S**

(45) **Date of Patent:** **** Dec. 27, 2022**

(54) **FEEDING TUBE NOZZLE**

(71) Applicant: **GBUK Group Limited**, Selby (GB)

(72) Inventors: **Joseph Cowan**, Selby (GB); **Ross Allsopp**, Selby (GB)

(73) Assignee: **GBUK Group Limited**, Selby (GB)

(**) Term: **15 Years**

(21) Appl. No.: **35/512,457**

(22) Filed: **Jul. 22, 2021**

(80) **Hague Agreement Data**

Int. Filing Date: **Jul. 22, 2021**

Int. Reg. No.: **DM/215919**

Int. Reg. Date: **Jul. 22, 2021**

Int. Reg. Pub. Date: **Aug. 27, 2021**

(51) **LOC (13) Cl.** **24-02**

(52) **U.S. Cl.**
USPC **D24/129**

(58) **Field of Classification Search**
USPC D8/82, 83; D24/108, 110.5, 110.6, 111, D24/112, 127-129
CPC A61J 15/0026; A61J 15/0011; A61J 15/0019; A61J 15/0042; A61J 15/0065; A61J 15/0073; A61M 5/178; A61M 39/1011; A61M 39/20; A61M 2039/1033; A61M 2039/1077; A61M 2202/0482; A61M 2025/1045

See application file for complete search history.

(56) **References Cited**

U.S. PATENT DOCUMENTS

D37,996 S * 5/1906 Tower D8/82
D37,997 S * 5/1906 Tower D8/82
871,154 A * 11/1907 Wood B25B 23/0042
112/80.03

D133,782 S * 9/1942 Pfeiffer D8/82
D142,267 S * 8/1945 Walraven D8/82
D147,373 S * 8/1947 Meltzer D8/DIG. 8
D157,732 S * 3/1950 Burgess 81/436
D226,456 S * 3/1973 Bolyn D24/114
D229,475 S * 12/1973 Uboldi D8/82
D239,023 S * 3/1976 D'Alo D24/129
D265,249 S * 6/1982 Halvorsen D24/128
D272,982 S * 3/1984 Rizzo D8/82
D307,235 S * 4/1990 Goudeman D8/82
D312,033 S * 11/1990 Carlson D8/82
D322,740 S * 12/1991 McCart D8/82
D333,964 S * 3/1993 Alexander D8/82
D395,502 S * 6/1998 Deily et al.
D408,079 S * 4/1999 Ellis D24/108
D472,316 S * 3/2003 Douglas D24/129
D473,443 S * 4/2003 Metcalf D8/83
D553,464 S * 10/2007 Rinner D8/83
D640,785 S * 6/2011 Lee D24/112
D645,961 S * 9/2011 Biener et al.
D683,842 S * 6/2013 Wang D24/108

(Continued)

OTHER PUBLICATIONS

GBUK Enteral. Product Catalogue. 2019. <https://www.gbukgroup.com/M/E/P/Enteral-Codes-Booklet.pdf> (Year: 2019).*

(Continued)

Primary Examiner — Darcey E Gottschalk
(74) *Attorney, Agent, or Firm* — Blank Rome LLP

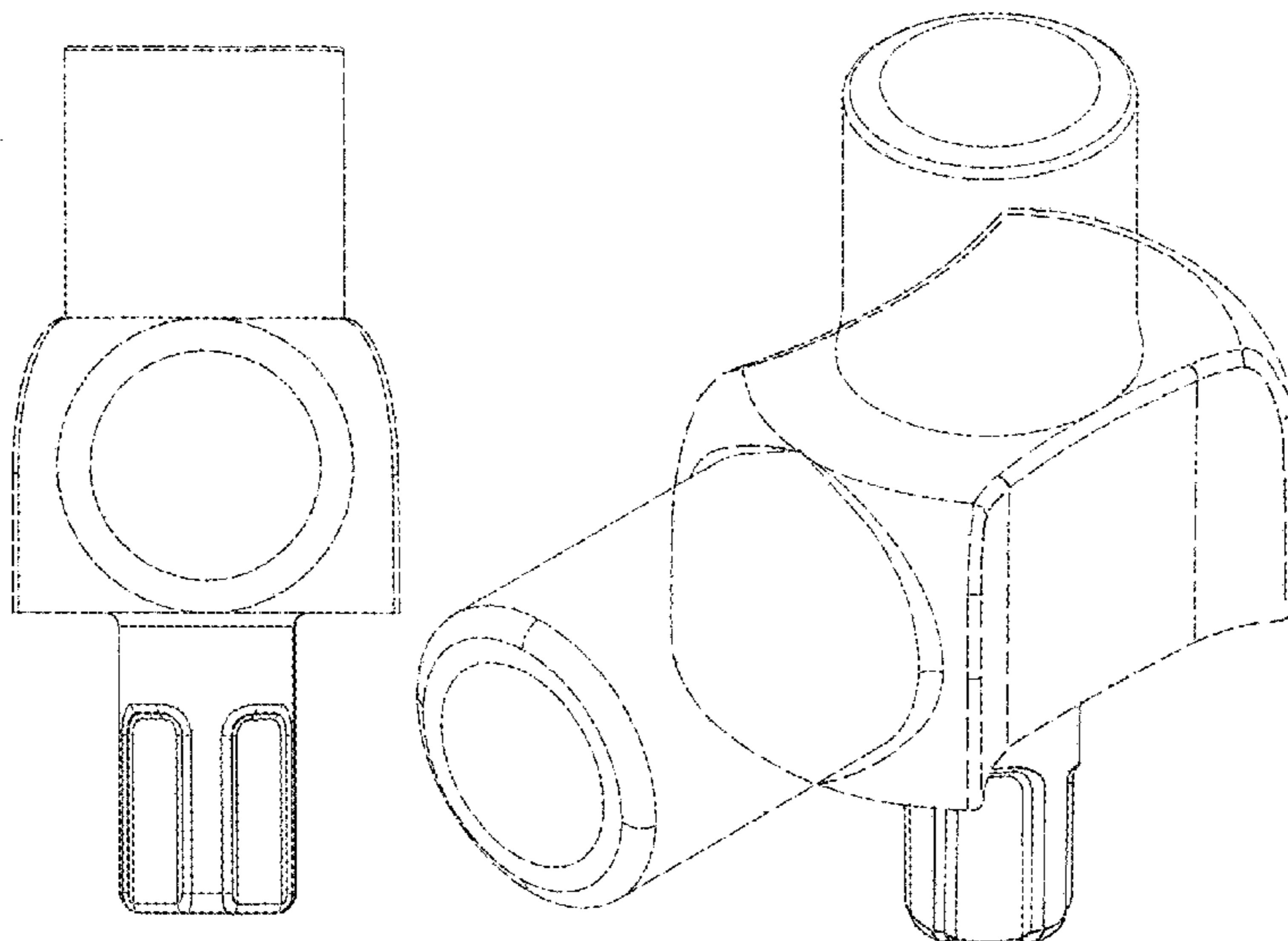
(57) **CLAIM**

The ornamental design for a feeding tube nozzle, as shown and described.

DESCRIPTION

FIG. 1.1 is a front view of a feeding tube nozzle of our design;
FIG. 1.2 is a back view thereof;
FIG. 1.3 is a top view thereof;
FIG. 1.4 is a bottom view thereof; and,
FIG. 1.5 is a perspective view thereof.

1 Claim, 3 Drawing Sheets



(56)

References Cited

U.S. PATENT DOCUMENTS

D711,530 S 8/2014 Gleason, Jr. et al.
D747,456 S 1/2016 Sonderegger et al.
D747,458 S 1/2016 Sonderegger et al.
D747,459 S 1/2016 Sonderegger et al.
D751,192 S 3/2016 She et al.
D800,528 S * 10/2017 Leibowitz D8/83
D857,191 S 8/2019 Hwang et al.
D865,477 S * 11/2019 Lipscomb B25G 1/105
D8/82
D892,319 S 8/2020 Park et al.
D911,140 S * 2/2021 Hyma D8/82
D930,820 S * 9/2021 Jaoudeh D24/112
D952,107 S * 5/2022 Chandler D24/176
D958,338 S * 7/2022 Park D24/129

OTHER PUBLICATIONS

Bob vila. Screwdrivers. Nov. 10, 2013. [https://www.bobvila.com/articles/1101-screwdrivers/\(Year: 2013\).](https://www.bobvila.com/articles/1101-screwdrivers/(Year: 2013).)*

* cited by examiner

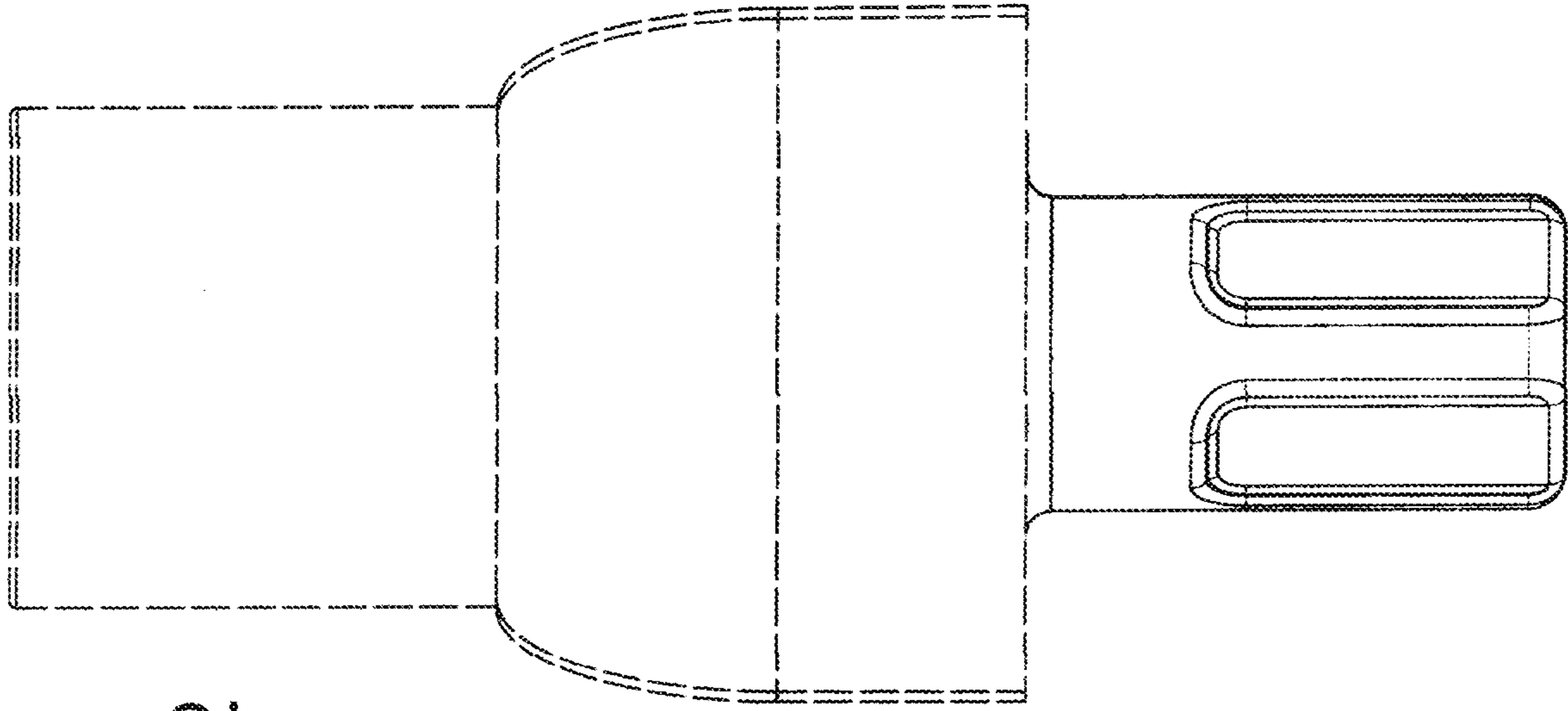


FIG. 1.1

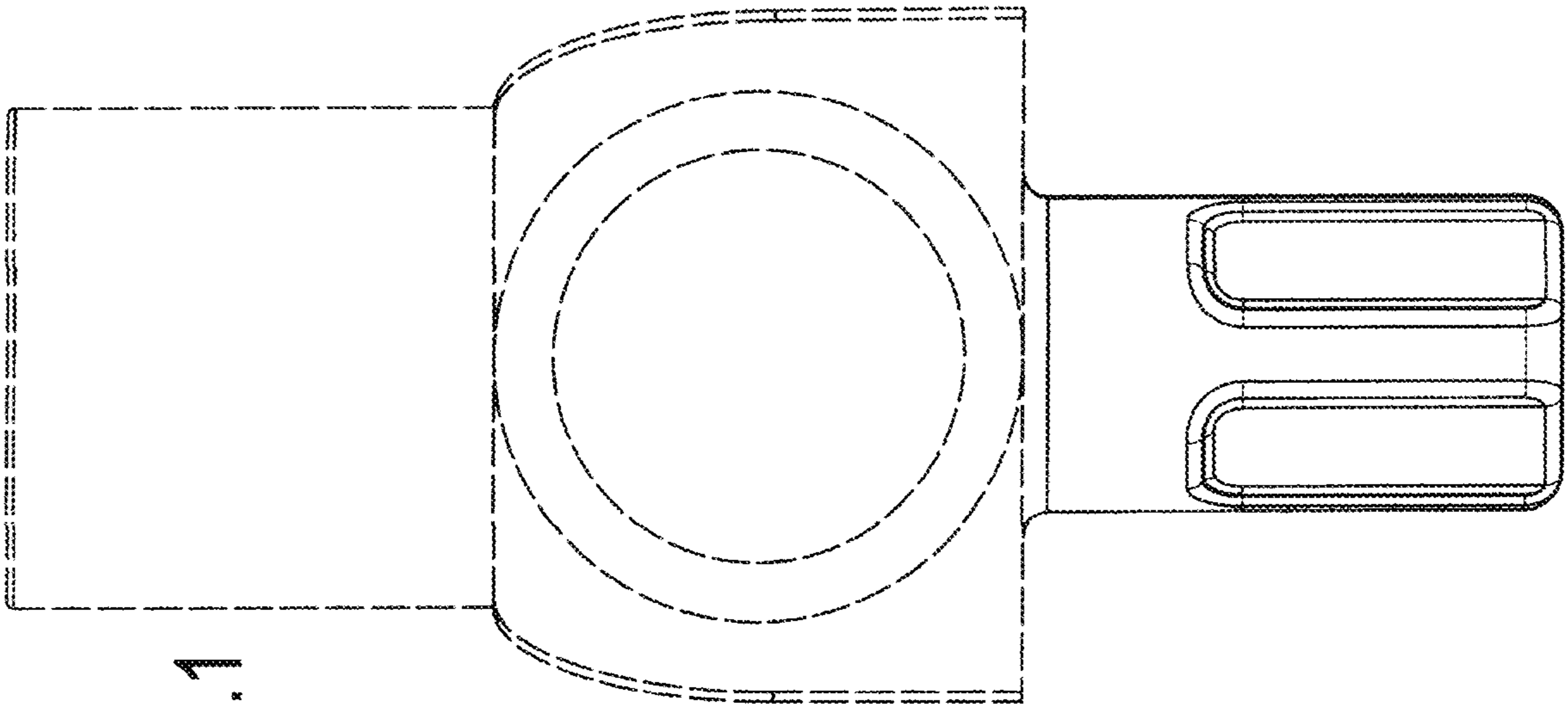


FIG. 1.2

FIG. 1.3

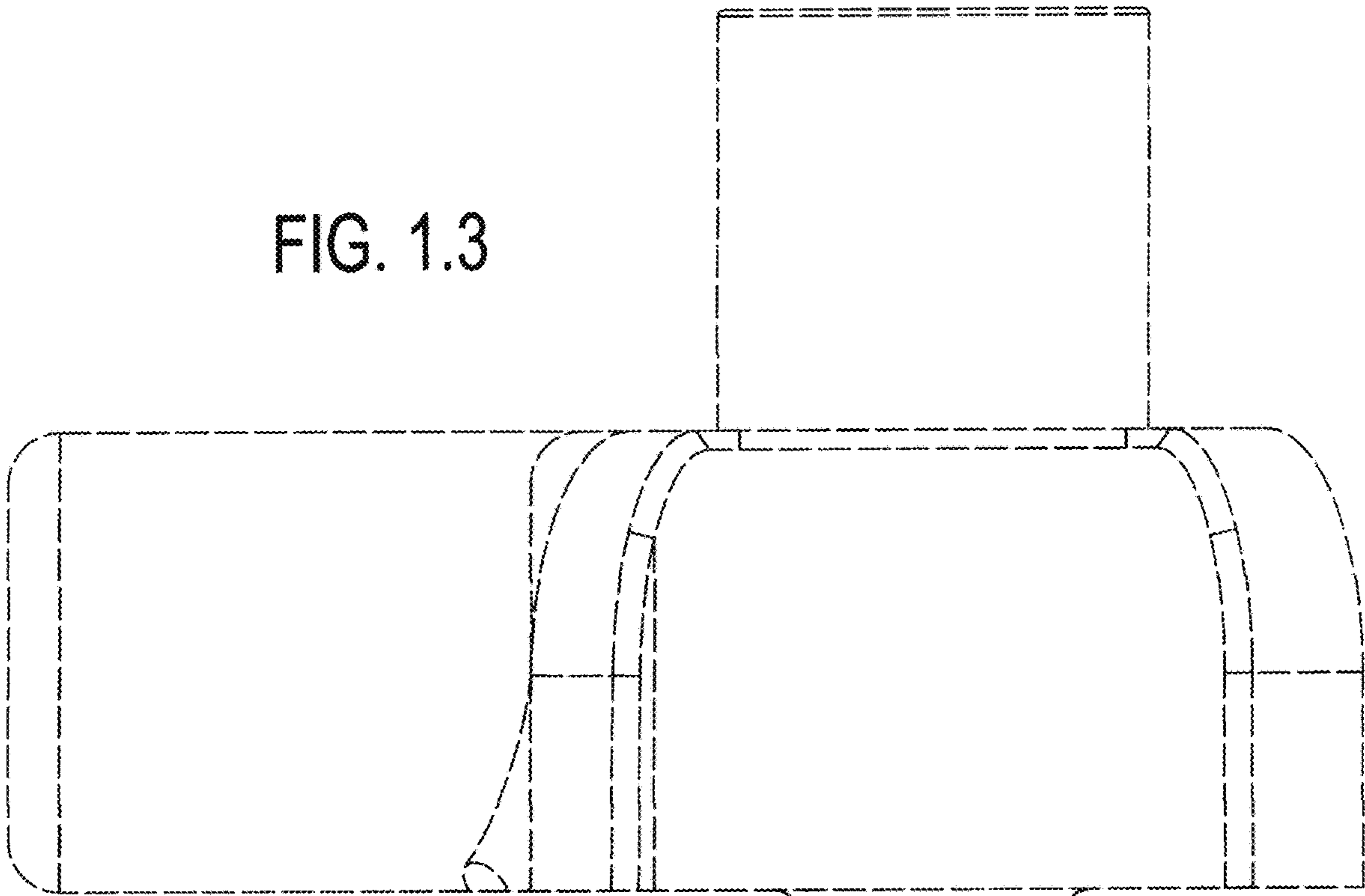
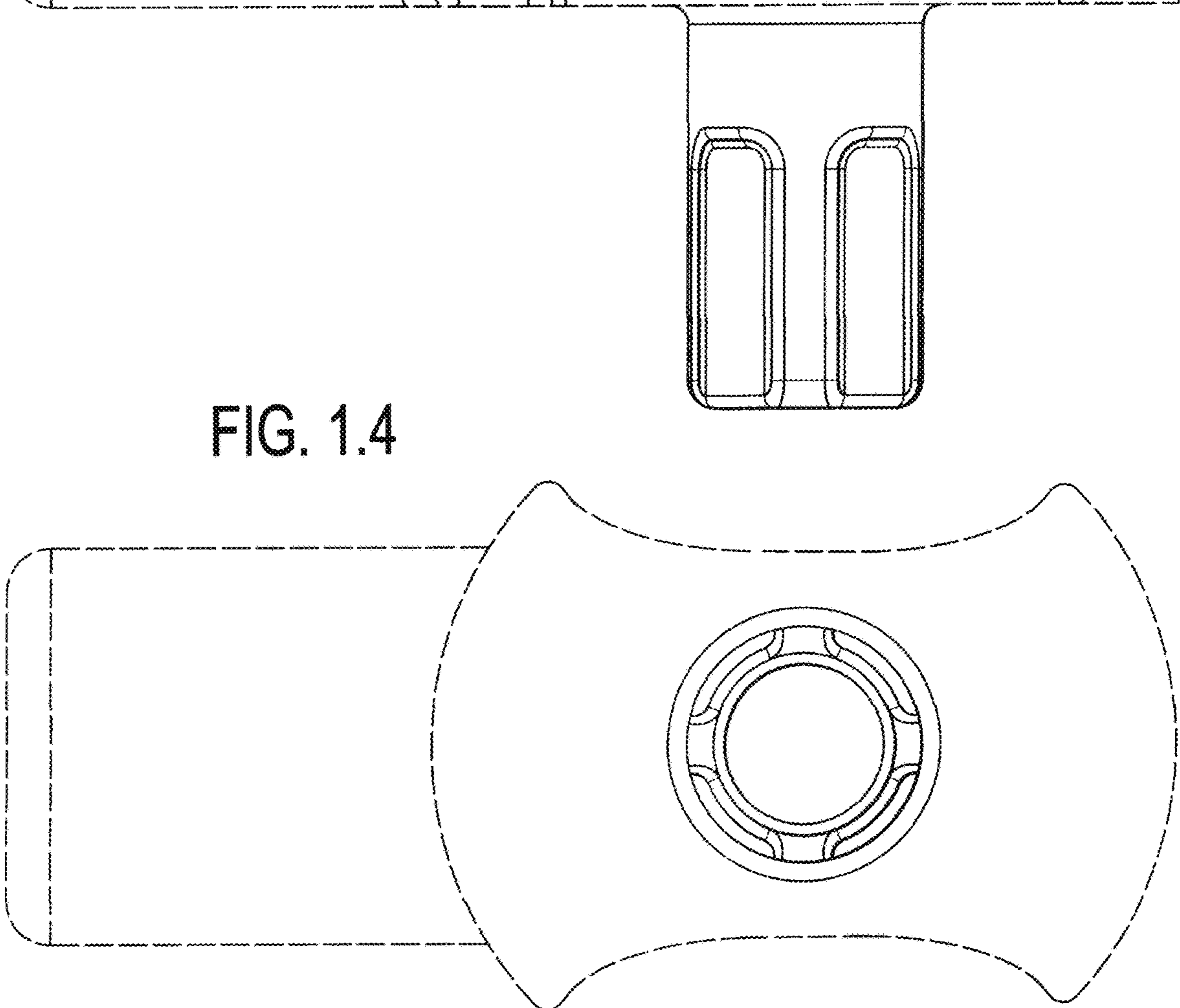


FIG. 1.4



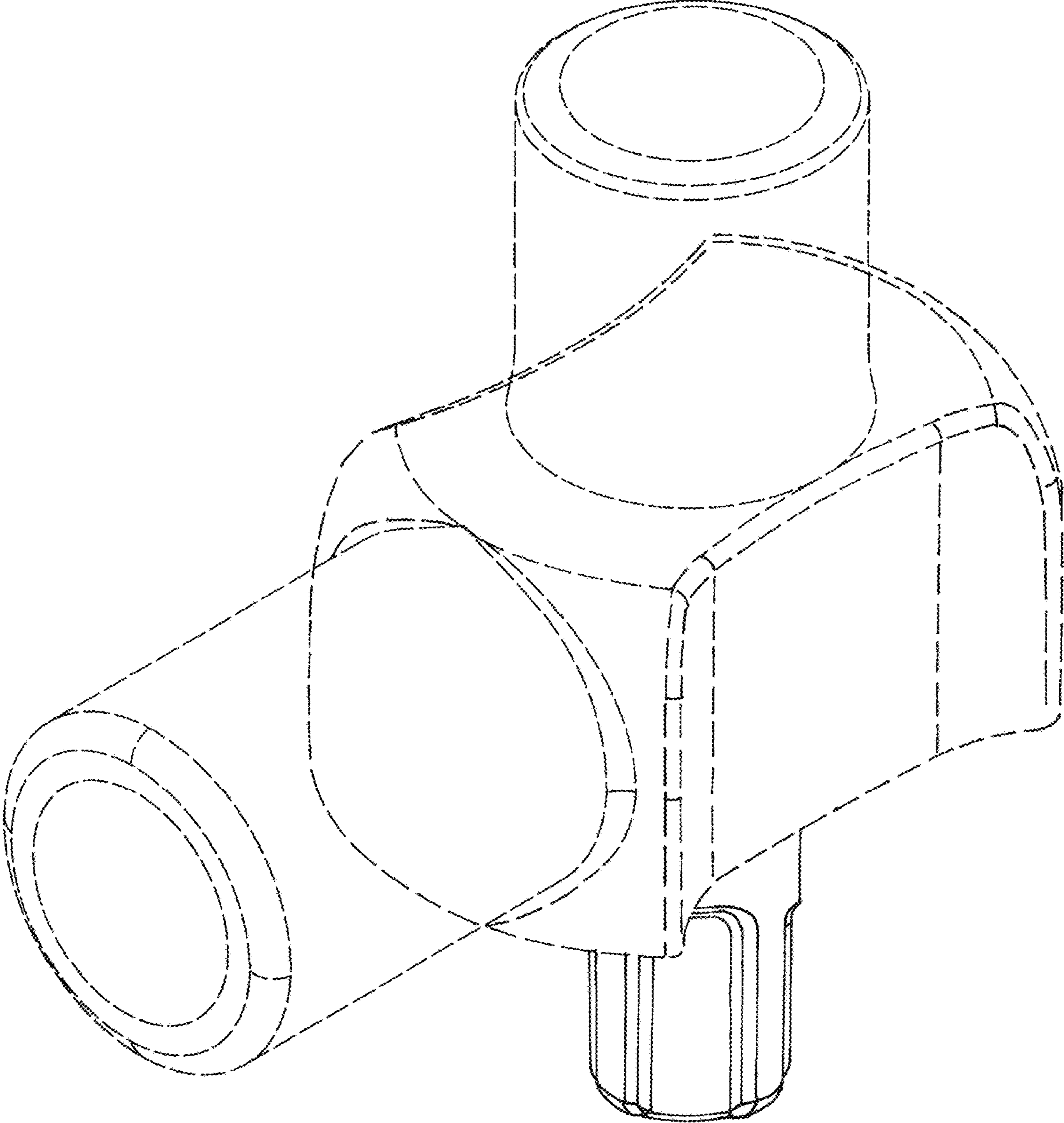


FIG. 1.5