



US00D973867S

(12) **United States Design Patent** (10) **Patent No.:** **US D973,867 S**
Artman et al. (45) **Date of Patent:** **** Dec. 27, 2022**

(54) **ELUTION GENERATOR CANISTER ASSEMBLY**

(71) Applicant: **BWXT Isotope Technology Group, Inc., Lynchburg, VA (US)**

(72) Inventors: **Thomas A. Artman, Lynchburg, VA (US); Andrew W. Doan, Lynchburg, VA (US)**

(73) Assignee: **BWXT Isotope Technology Group, Inc., Lynchburg, VA (US)**

(**) Term: **15 Years**

(21) Appl. No.: **29/782,909**

(22) Filed: **May 10, 2021**

(51) **LOC (13) Cl.** **24-04**

(52) **U.S. Cl.**
USPC **D24/121; D24/108**

(58) **Field of Classification Search**
USPC D13/101, 110, 112, 118, 151, 184, 199;
D24/107, 108, 121, 127, 216, 224;
D7/387, 601, 612
CPC .. A61K 47/40; A61K 47/6951; A61K 31/137;
A61K 31/439; A61K 31/501; A61K
9/0078; B65D 41/04; B65D 41/0485;
B65D 41/3428; B65D 43/22
See application file for complete search history.

(56) **References Cited**

U.S. PATENT DOCUMENTS

D319,506 S *	8/1991	Lal	D24/129
D439,345 S *	3/2001	Herchenbach	D24/224
D559,396 S *	1/2008	Dave	D24/224
D631,169 S *	1/2011	Cheeley	D24/224
D677,382 S *	3/2013	Foley	D24/114

D678,502 S *	3/2013	Schmidt	D9/434
D694,100 S *	11/2013	Schneider	D24/224
D732,684 S *	6/2015	Ooi	D24/224
D748,776 S *	2/2016	Brannon	D24/121
D748,813 S *	2/2016	Ishiguro	D24/224
D765,835 S *	9/2016	Kammer	D24/121
10,358,255 B2 *	7/2019	Giannopoulos	A61M 15/08
D856,512 S *	8/2019	Cowart	B29C 45/0081
			D24/121
D902,430 S *	11/2020	Jones	D24/224
2007/0111965 A1 *	5/2007	Kipp	A61P 11/16
			514/469
2020/0368214 A1 *	11/2020	Huang	A61P 1/00

* cited by examiner

Primary Examiner — Derrick E Holland

(74) *Attorney, Agent, or Firm* — Nelson Mullins Riley & Scarborough LLP

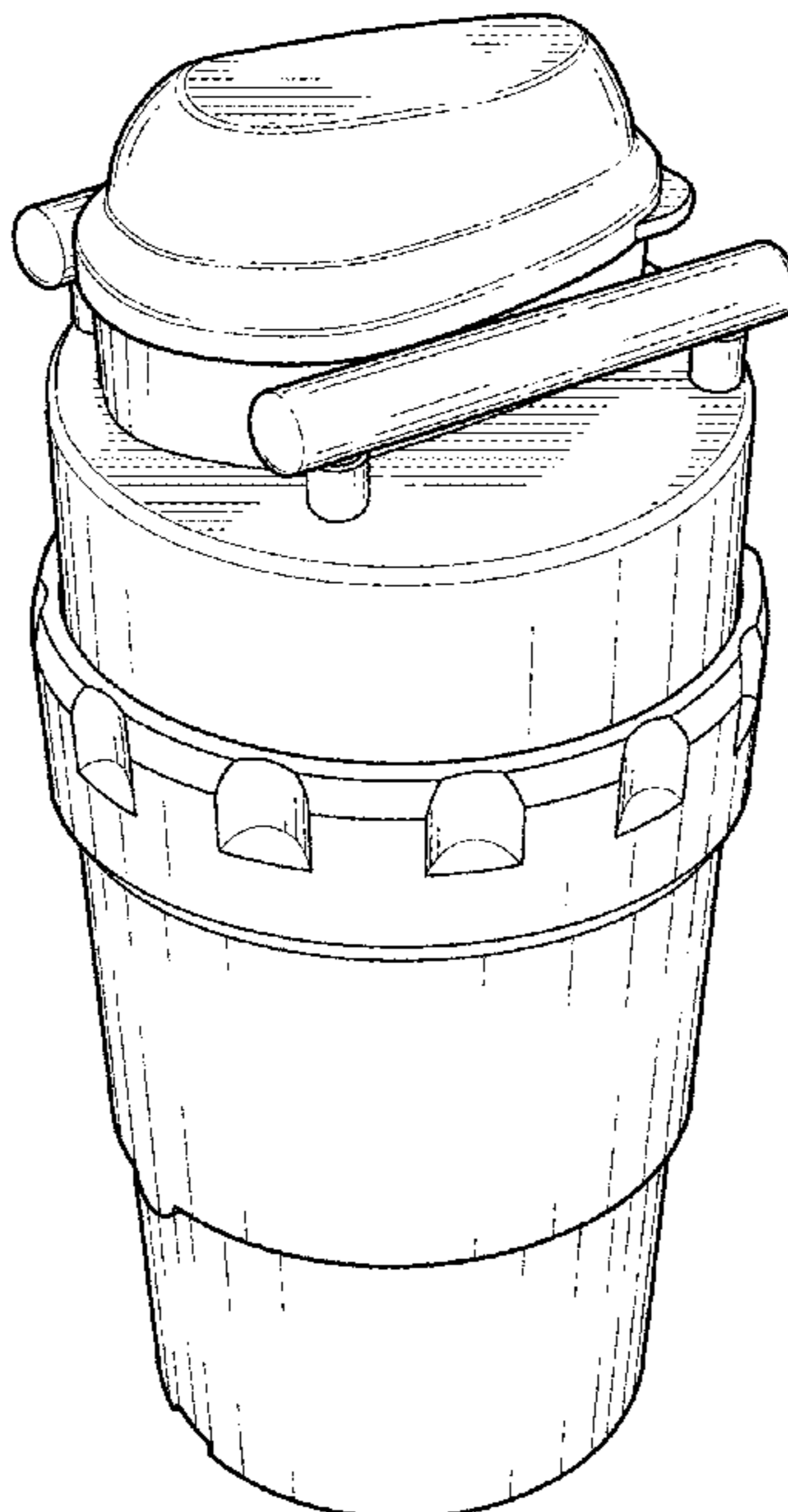
(57) **CLAIM**

The ornamental design of an elution generator canister assembly, substantially as shown and described.

DESCRIPTION

FIG. 1 is a perspective view of an elution generator canister assembly embodying the design of the present invention; FIG. 2 is a front elevational view of an elution generator canister assembly embodying the design of the present invention; FIG. 3 is a left side elevational view of the elution generator canister assembly illustrated in FIG. 1; FIG. 4 is a back elevational view of the elution generator canister assembly illustrated in FIG. 1; FIG. 5 is a top view of the elution generator canister assembly illustrated in FIG. 1; and, FIG. 6 is a bottom view of the elution generator canister assembly illustrated in FIG. 1.

1 Claim, 5 Drawing Sheets



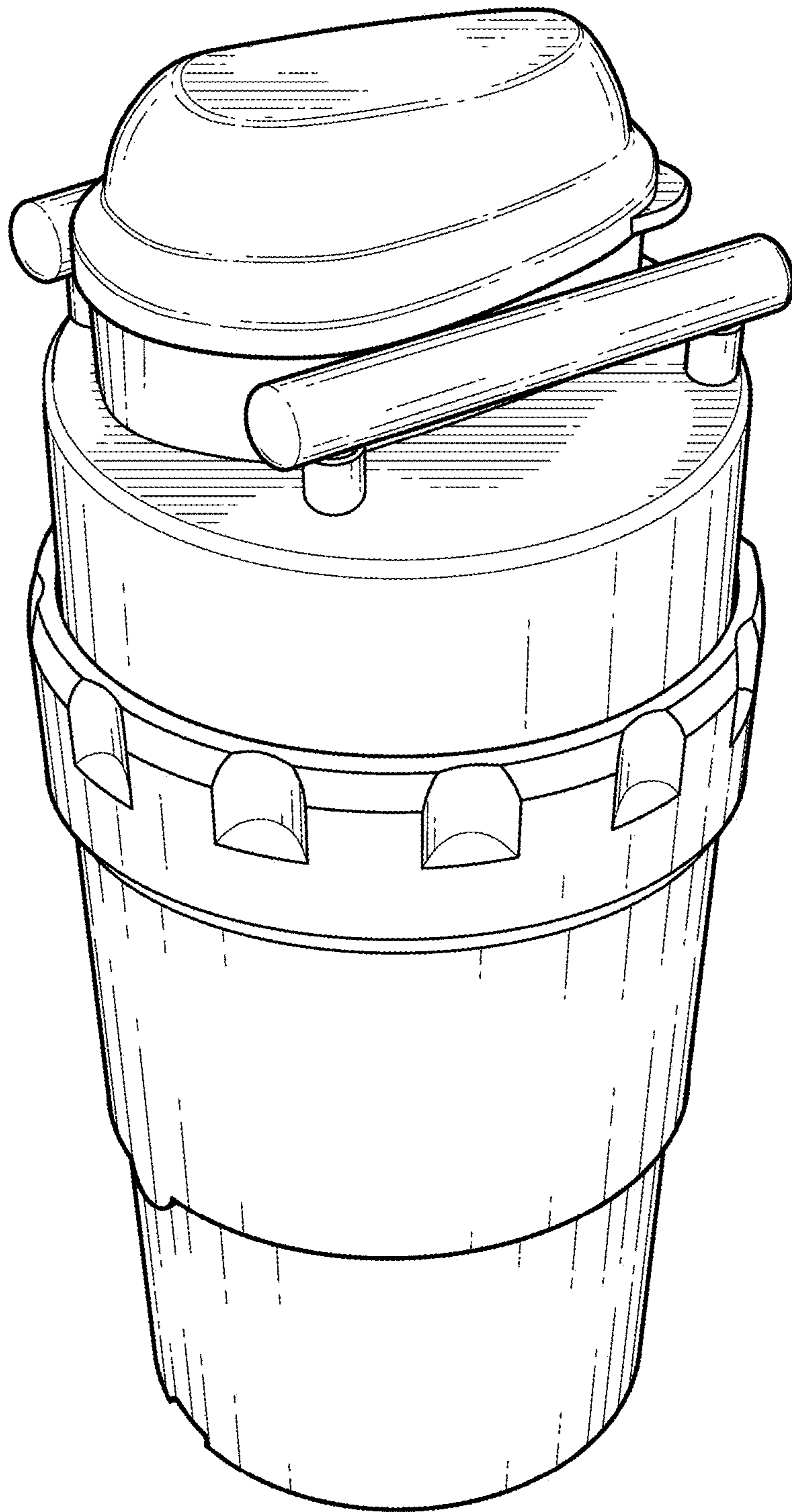


FIG. 1

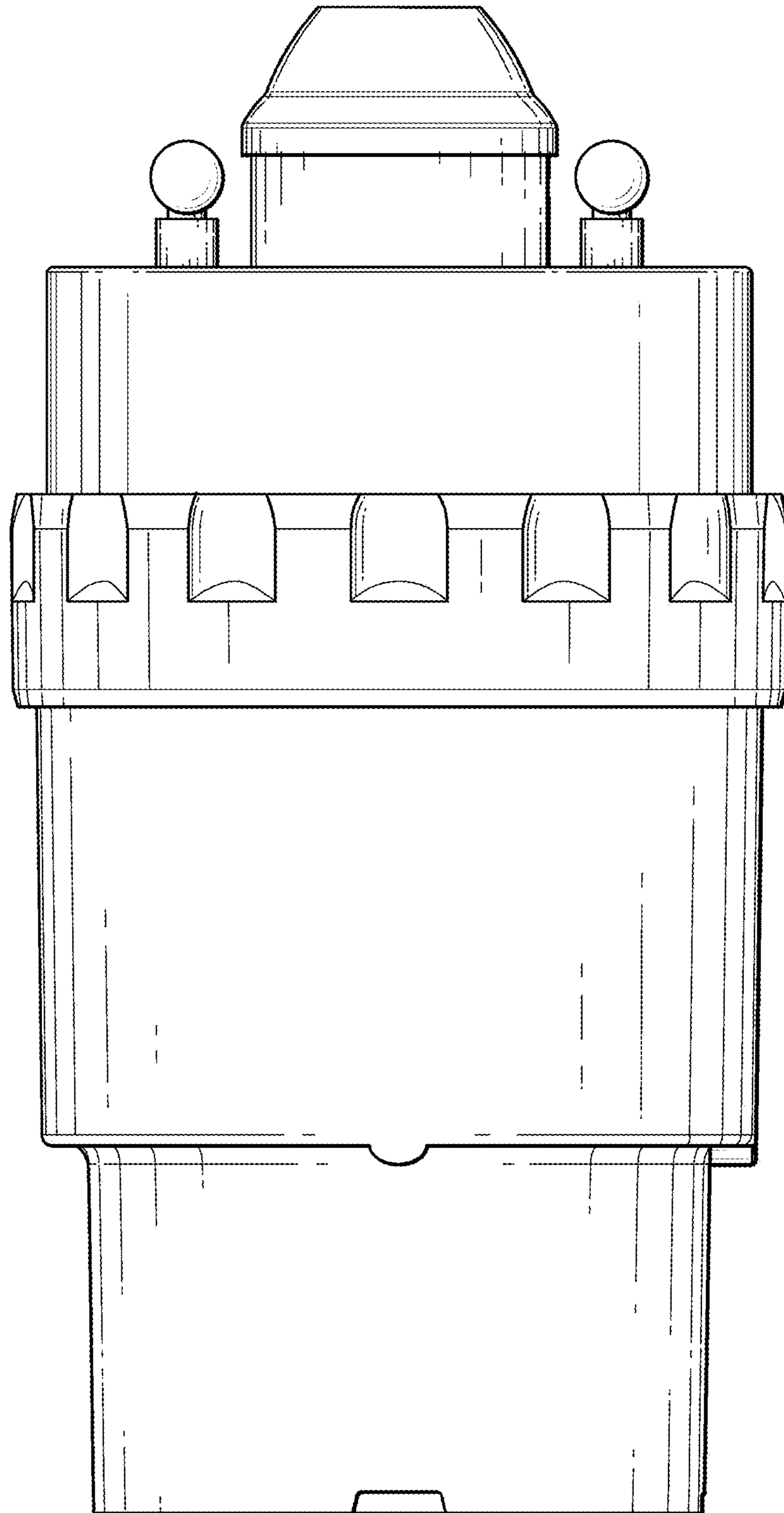


FIG. 2

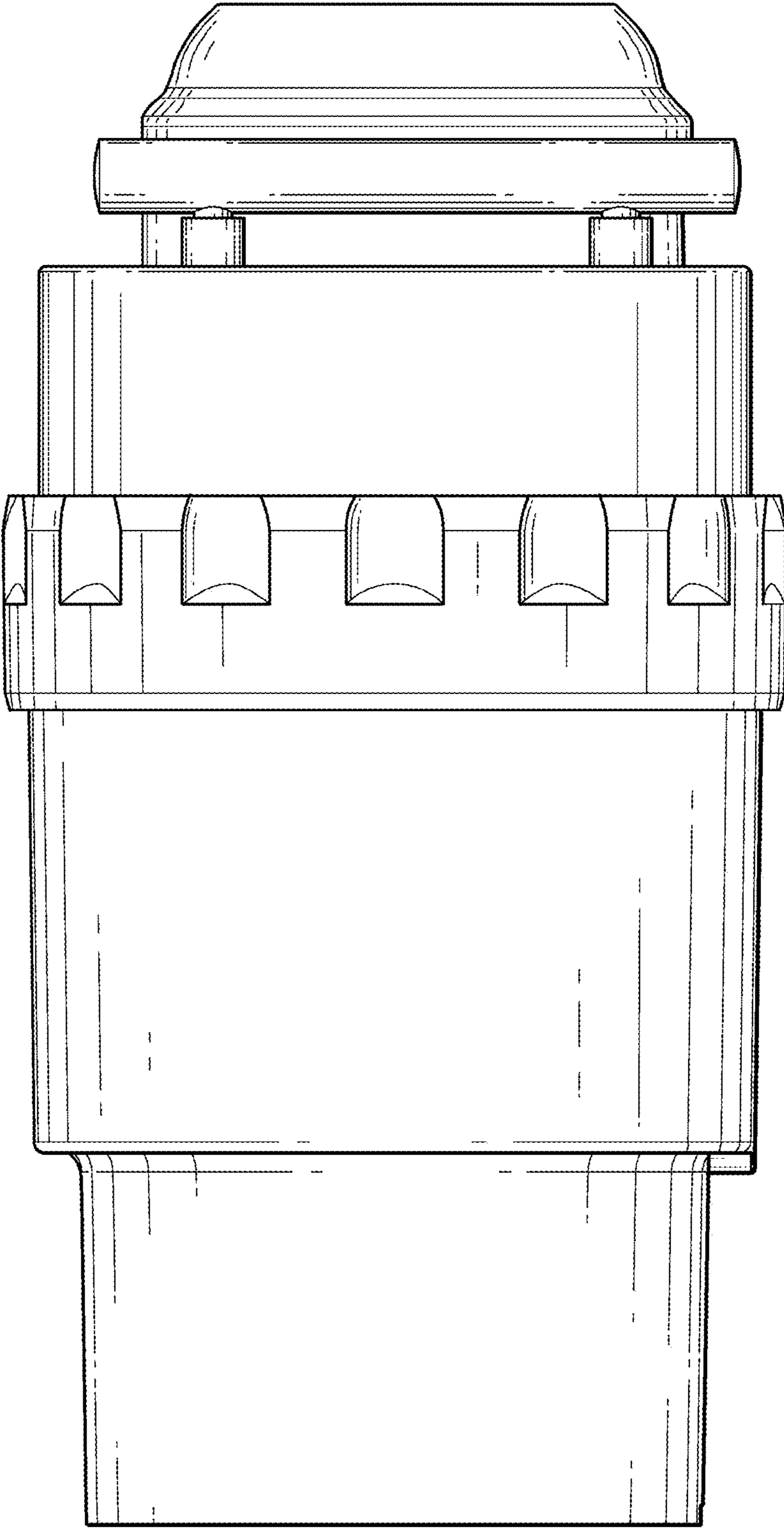


FIG. 3

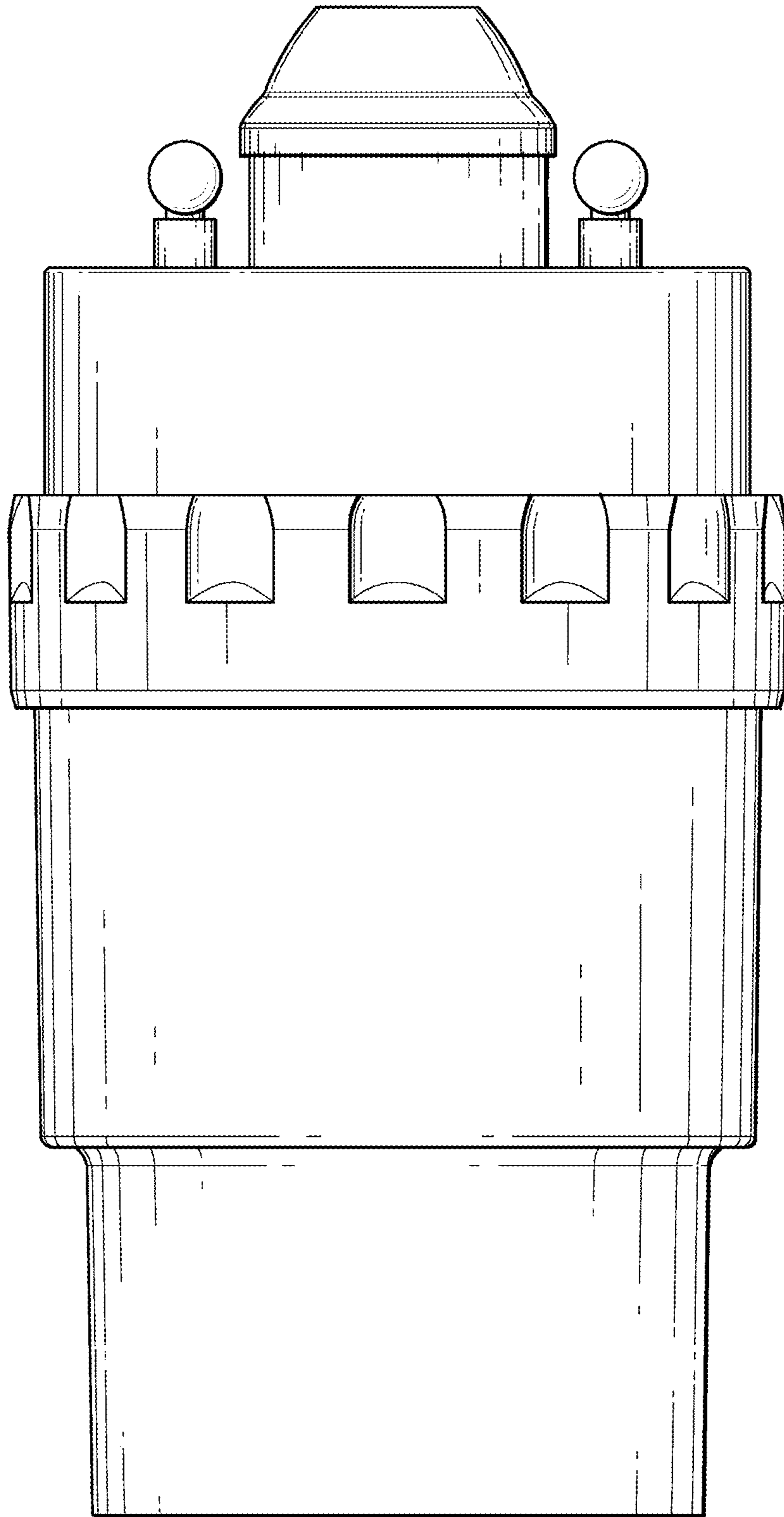


FIG. 4

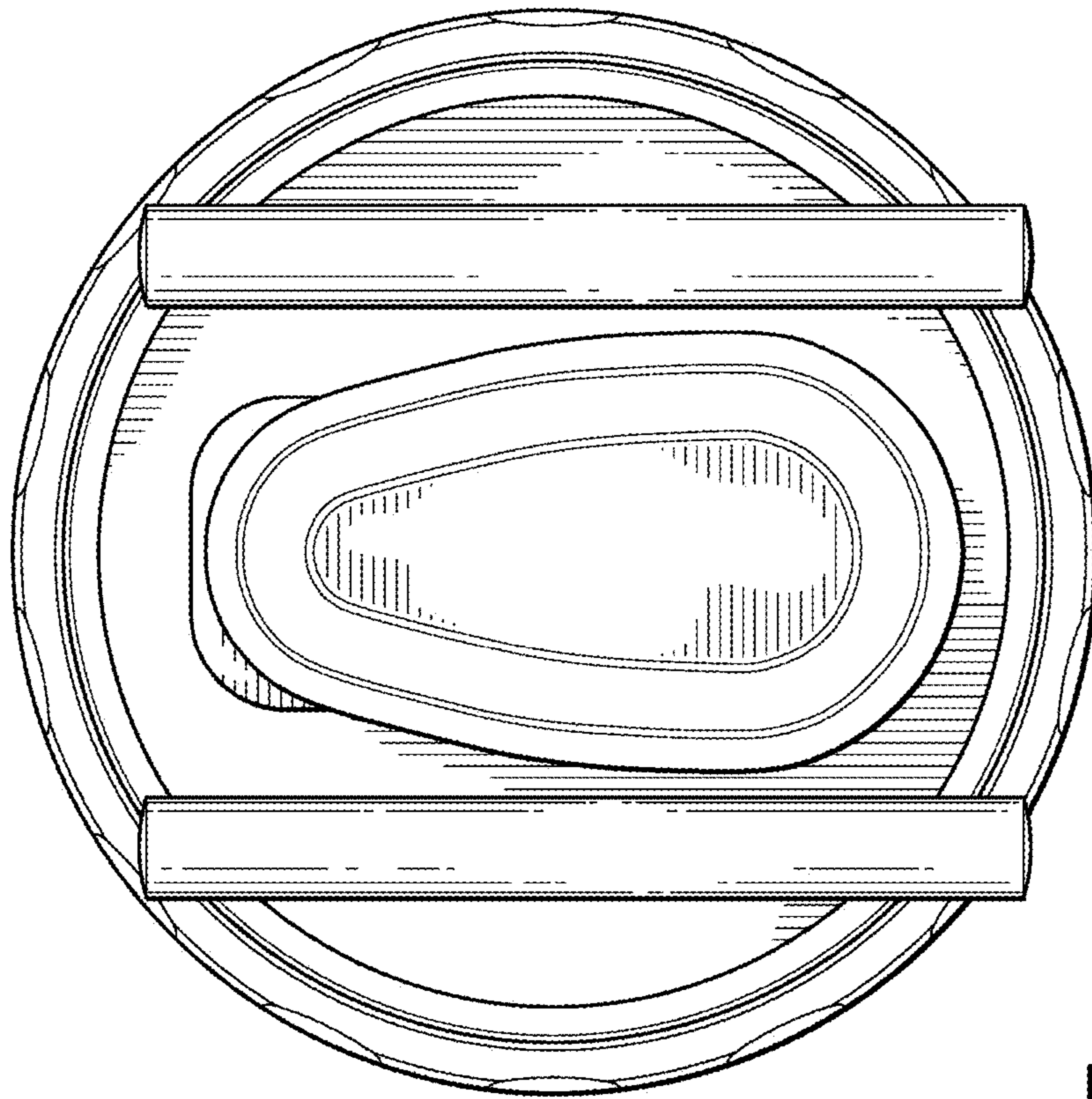


FIG. 5

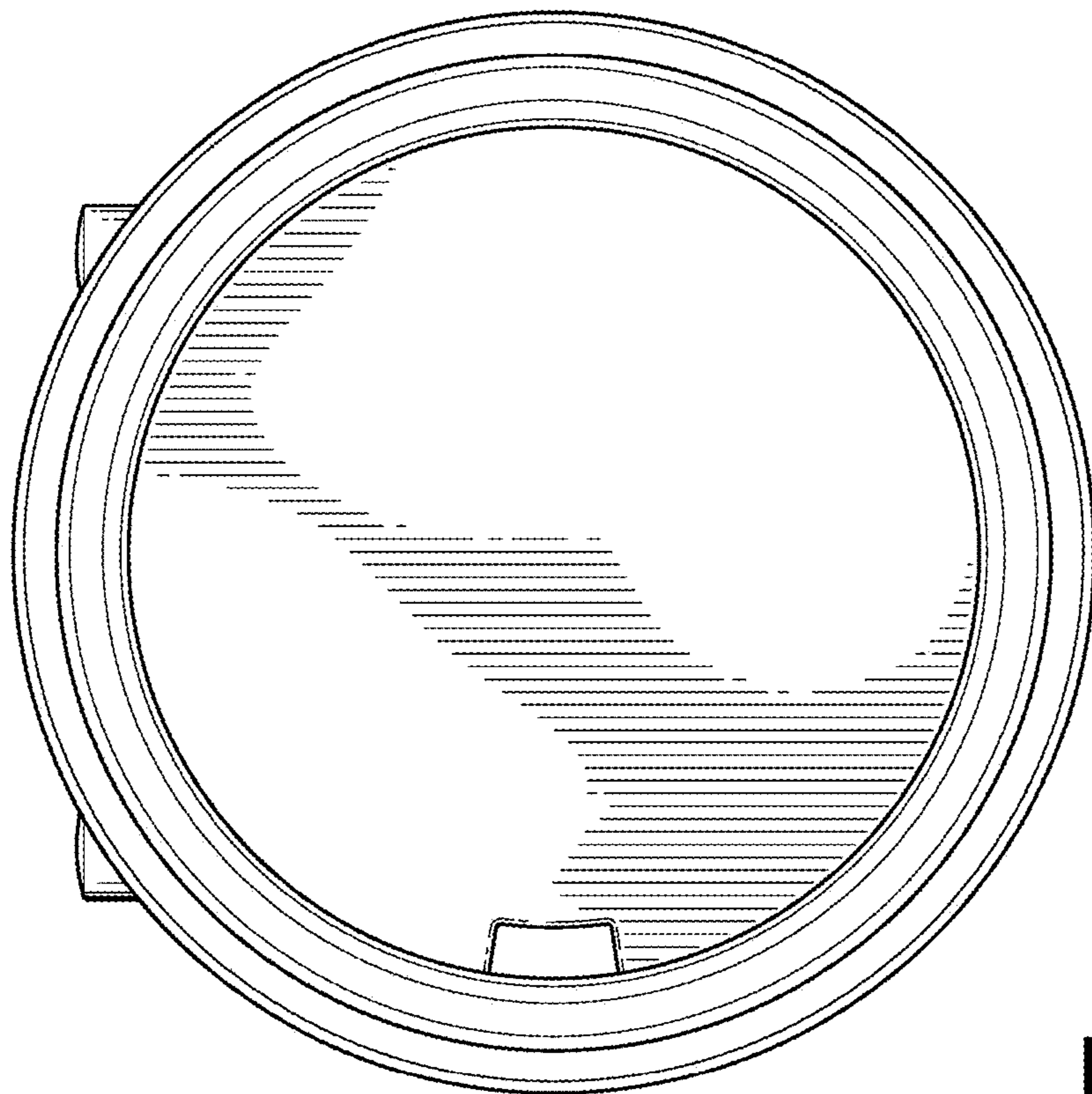


FIG. 6

UNITED STATES PATENT AND TRADEMARK OFFICE
CERTIFICATE OF CORRECTION

PATENT NO. : D973,867 S
APPLICATION NO. : 29/782909
DATED : December 27, 2022
INVENTOR(S) : Thomas A. Artman et al.

Page 1 of 1

It is certified that error appears in the above-identified patent and that said Letters Patent is hereby corrected as shown below:

In the Claims

In Column 2, in item (57) CLAIM, delete "of" and insert --for--.

Signed and Sealed this
Thirtieth Day of May, 2023
Katherine Kelly Vidal

Katherine Kelly Vidal
Director of the United States Patent and Trademark Office