



US00D973865S

(12) **United States Design Patent** (10) **Patent No.:** **US D973,865 S**
Tamir et al. (45) **Date of Patent:** **** Dec. 27, 2022**

(54) **MEDICAL DEVICE**

(71) Applicant: **Avoset Health Ltd.**, Netanya (IL)

(72) Inventors: **Lilach Tamir**, Tel Aviv (IL); **Amir Rasowsky**, Yakir (IL); **Gustavo Turkieltaub**, Tel Aviv (IL); **Andres Wainstein**, Ramat Gan (IL)

(73) Assignee: **EITAN MEDICAL LTD.**, Netanya (IL)

(**) Term: **15 Years**

(21) Appl. No.: **29/704,464**

(22) Filed: **Sep. 5, 2019**

(30) **Foreign Application Priority Data**

Mar. 5, 2019 (IL) 63461

(51) **LOC (13) Cl.** **24-02**

(52) **U.S. Cl.**
USPC **D24/111**

(58) **Field of Classification Search**

USPC D24/108, 110–115, 117, 121, 127, 162, D24/164, 185, 107, 169, 186, 177
CPC A61M 5/142; A61M 5/1413; A61M 5/14248; A61M 5/14244; A61M 5/172; A61M 5/1723; A61M 5/1432; A61M 2205/18; A61M 2205/52; A61M 2205/50; A61M 2205/3569; A61M 2205/3584; A61M 2205/505; A61M 2205/502; A61M 2005/14208; A61M 2005/14268

See application file for complete search history.

(56) **References Cited**

U.S. PATENT DOCUMENTS

D222,312 S *	10/1971	Kurtz	D24/117
D342,312 S *	12/1993	Pastrone	D24/111
D350,823 S *	9/1994	Lanigan	D24/111
D409,748 S *	5/1999	Lanigan	D24/127
D605,753 S *	12/2009	Smutney	D24/110
D616,539 S *	5/2010	McGill	D24/111
D653,325 S *	1/2012	Cheesman	D24/110
D655,810 S *	3/2012	Amborn	D24/111
D840,255 S *	2/2019	Srinivasan	D10/81
D848,845 S *	5/2019	Dacey	D9/456
D855,175 S *	7/2019	Epple	D24/111
D870,263 S *	12/2019	Adams	D24/108
2005/0085834 A1 *	4/2005	Carranza	A61B 50/30 606/153

* cited by examiner

Primary Examiner — Nathan M Johnston

(74) *Attorney, Agent, or Firm* — Jose Cherson Weissbrot

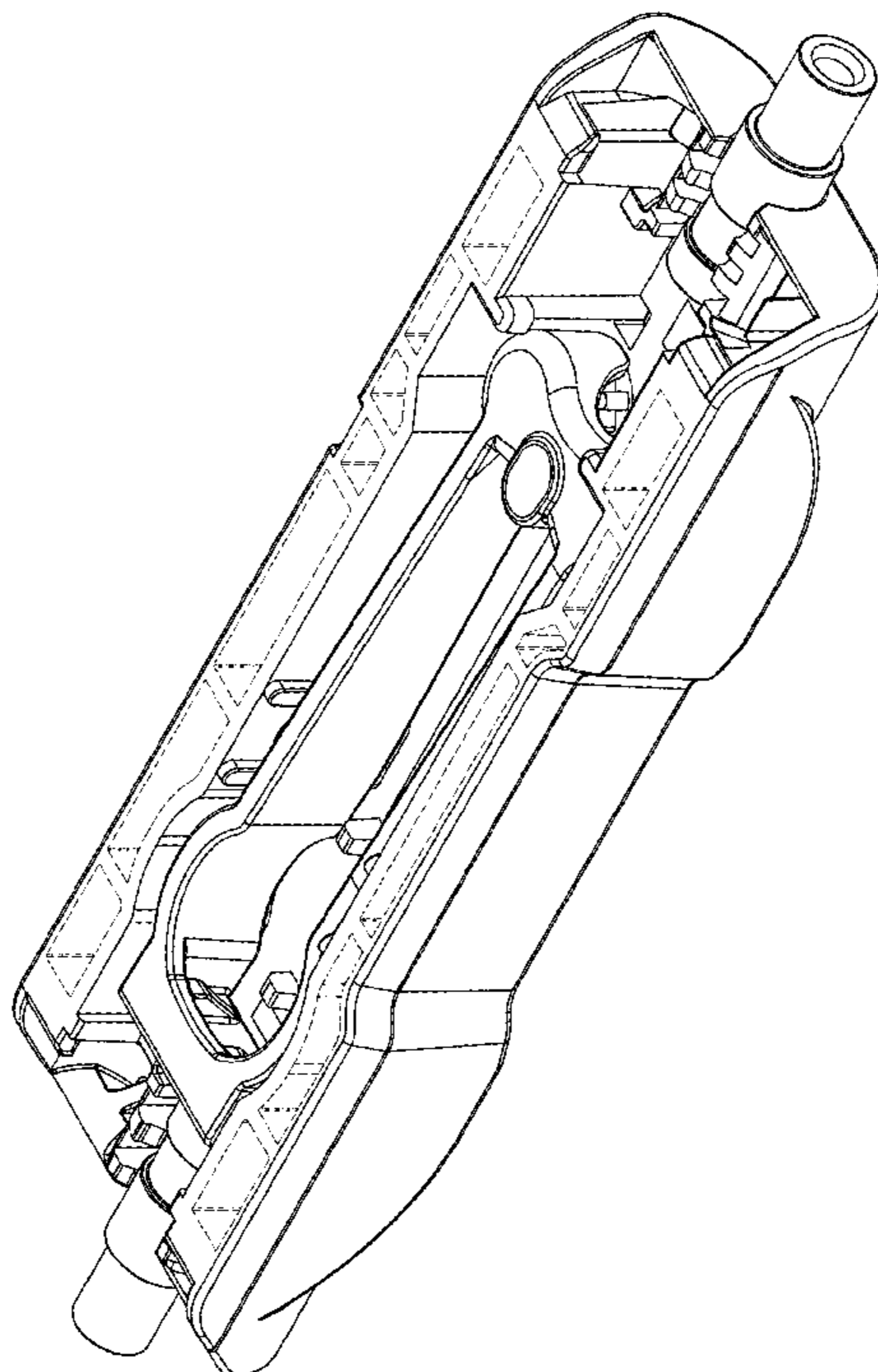
(57) **CLAIM**

The ornamental design for a medical device, as shown and described.

DESCRIPTION

FIG. 1 is a perspective view of the medical device; FIG. 2 is a front view thereof; FIG. 3 is a rear view thereof; FIG. 4 is a left-side view thereof; FIG. 5 is a right-side view thereof; FIG. 6 is a top view thereof; and, FIG. 7 is a bottom view thereof. Portions of the article shown in broken lines form no part of the claimed design.

1 Claim, 7 Drawing Sheets



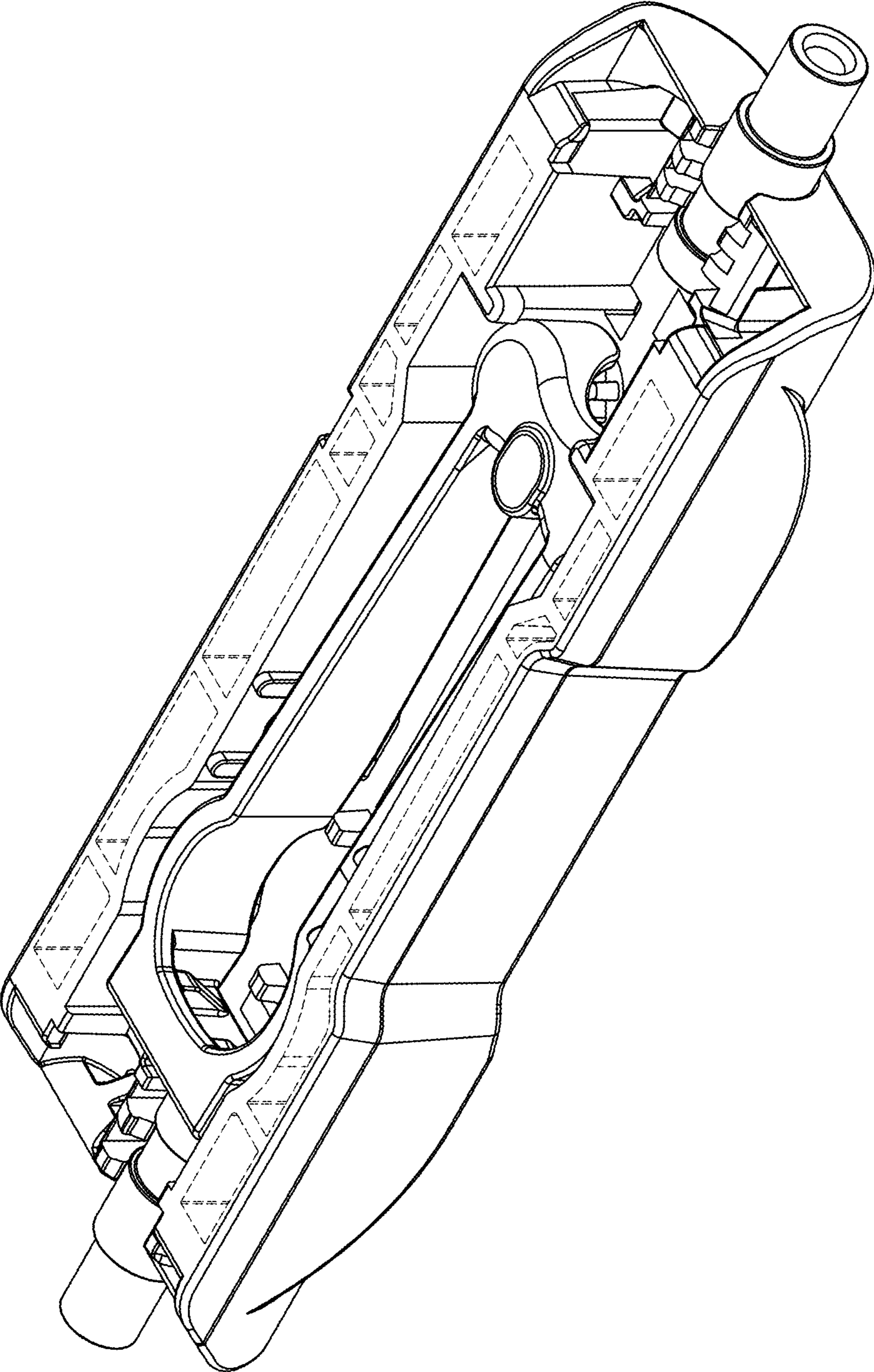


FIG.1

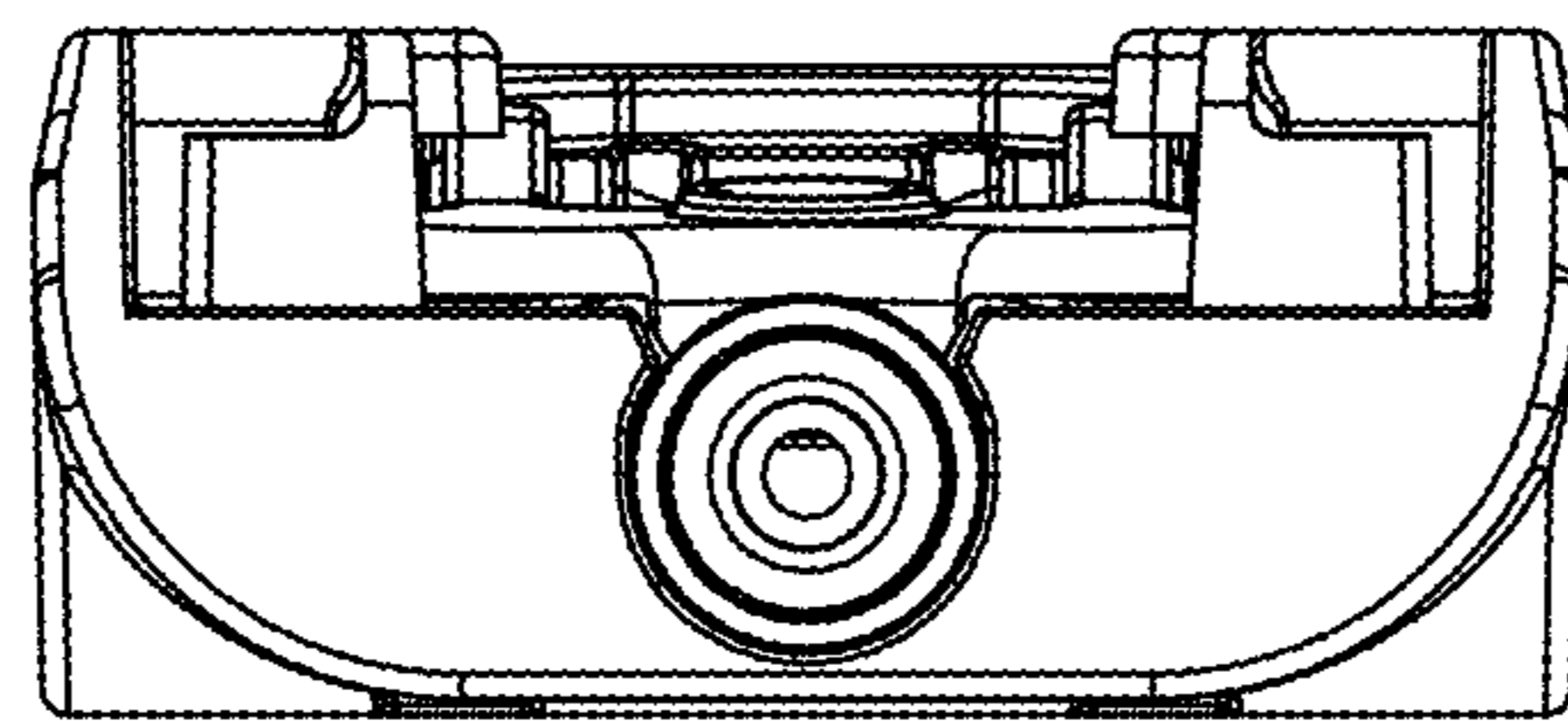


FIG.2

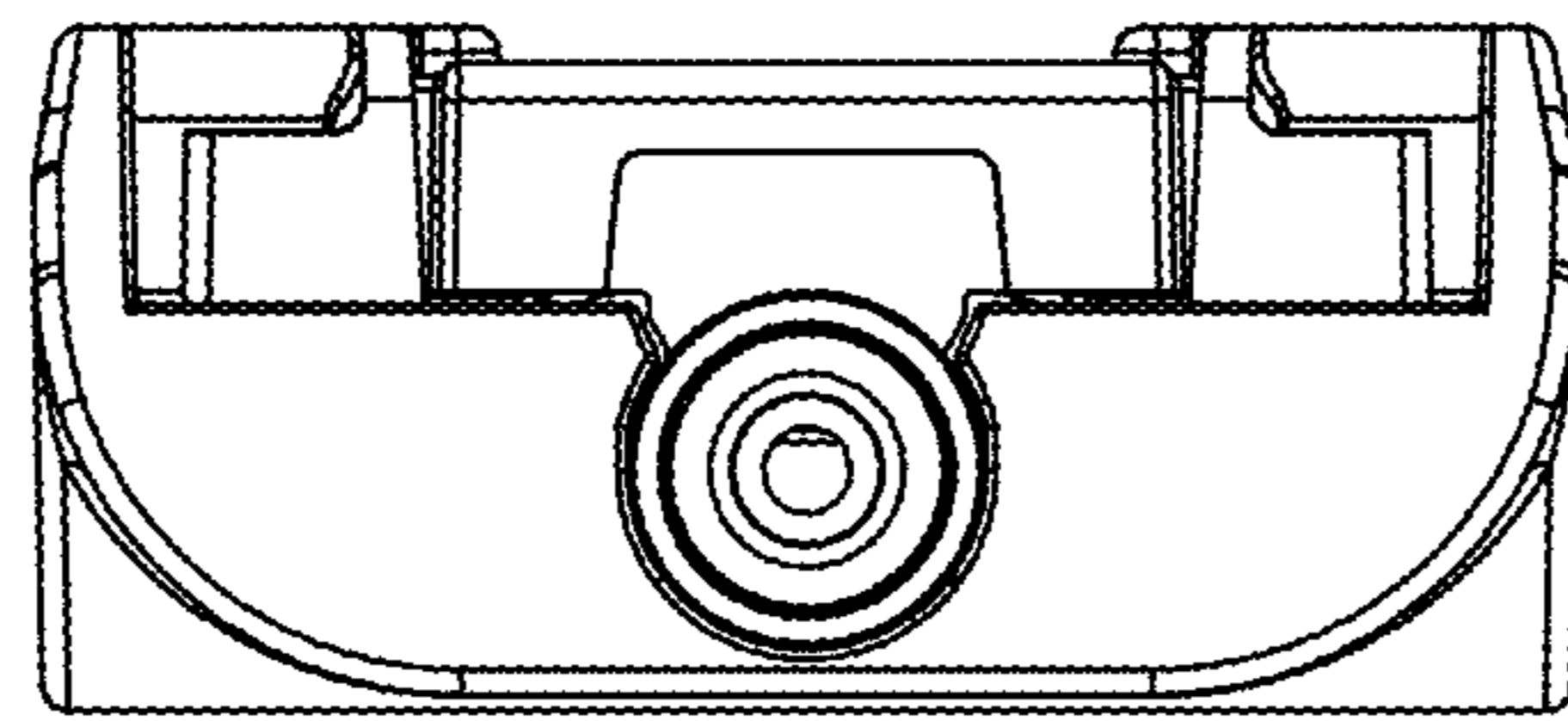


FIG.3

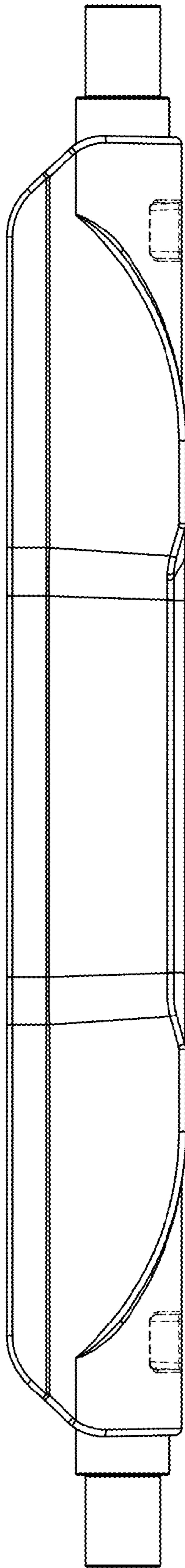


FIG.4

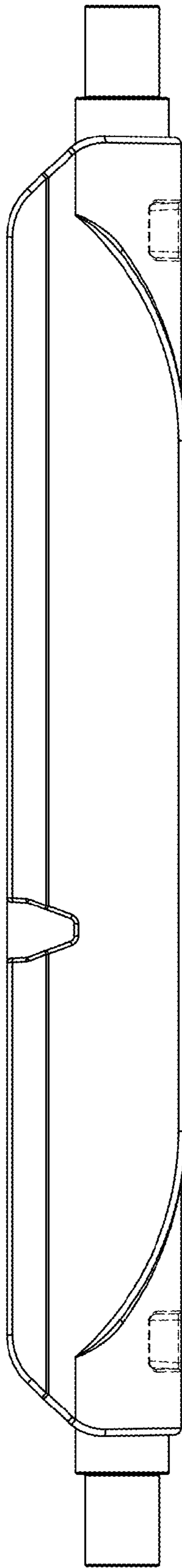


FIG.5

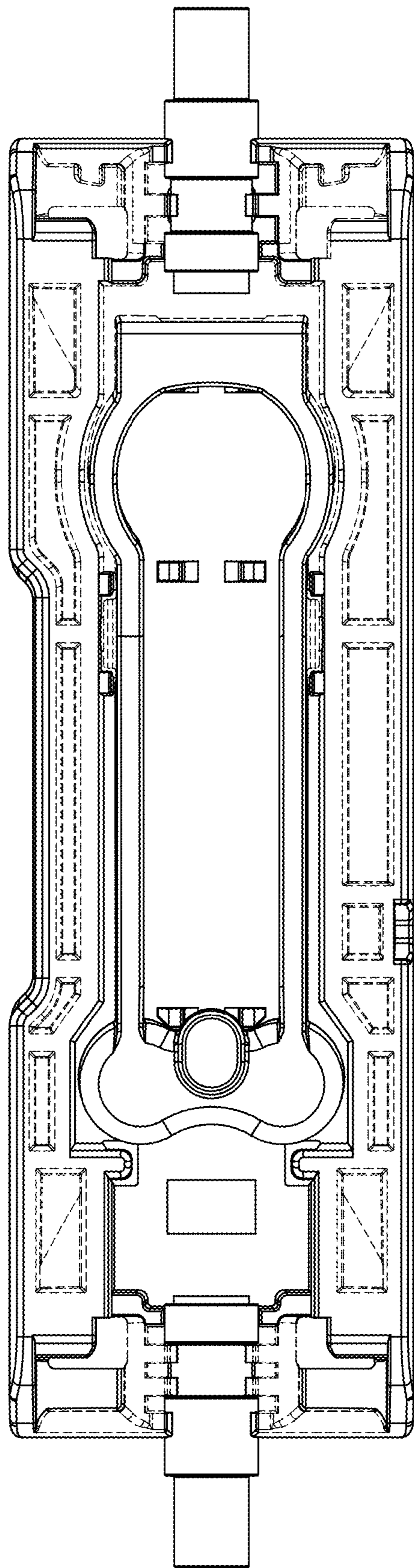


FIG. 6

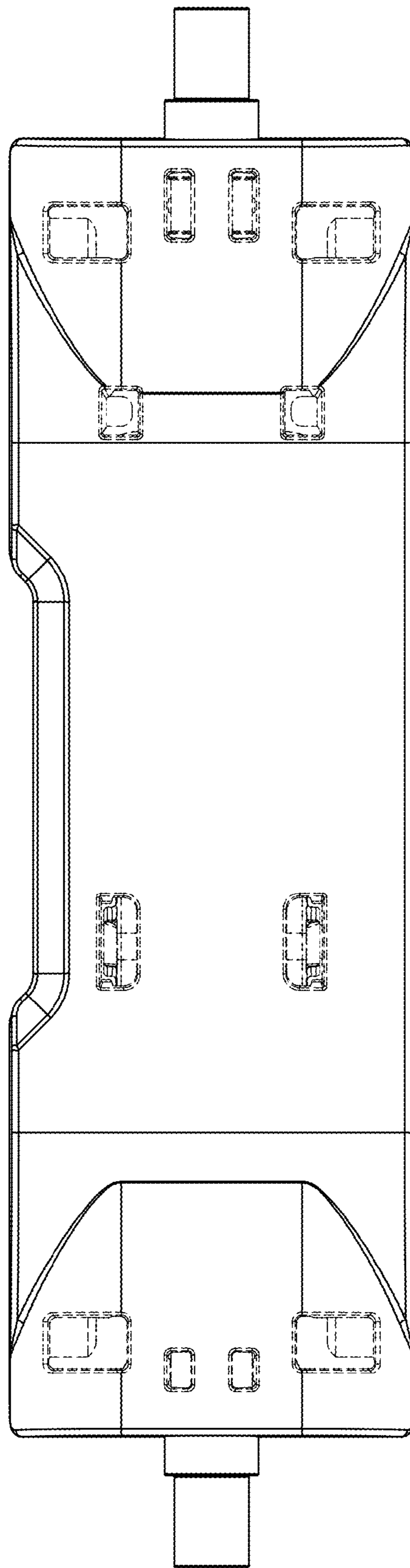


FIG. 7