



US00D973864S

(12) **United States Design Patent** (10) **Patent No.:** **US D973,864 S**  
**An** (45) **Date of Patent:** **\*\* Dec. 27, 2022**

(54) **MASK**  
(71) Applicant: **Seung Sung An**, Suwon-si (KR)  
(72) Inventor: **Seung Sung An**, Suwon-si (KR)  
(\*\*) Term: **15 Years**  
(21) Appl. No.: **29/757,248**  
(22) Filed: **Nov. 4, 2020**

D950,707 S \* 5/2022 Coates ..... D29/108  
D952,131 S \* 5/2022 Kong ..... D29/108  
2007/0272248 A1\* 11/2007 Lin ..... A62B 18/025  
128/206.28

(Continued)

**FOREIGN PATENT DOCUMENTS**

JP D1676538 \* 1/2021  
WO WO-D220225-001 \* 7/2022

**OTHER PUBLICATIONS**

Muveen Breathable Fashion Face Mask, Oct. 28, 2020, amazon.com [online], [site visited Jul. 16, 2022], Available from internet, URL: <[https://www.amazon.com/MUVEEN-Multiple-Breathable-Dustproof-Eco-Friendly/dp/B08M3XYCM5/ref=sr\\_1\\_22?crd=14EU1DHSSJXWT&keywords=fashion+face+mask&qid=1658013855&sprefix=fashion+face+mask%2Caps%2C99&sr=8-22](https://www.amazon.com/MUVEEN-Multiple-Breathable-Dustproof-Eco-Friendly/dp/B08M3XYCM5/ref=sr_1_22?crd=14EU1DHSSJXWT&keywords=fashion+face+mask&qid=1658013855&sprefix=fashion+face+mask%2Caps%2C99&sr=8-22)> (Year: 2020).\*

(Continued)

*Primary Examiner* — Wendy L Arminio  
*Assistant Examiner* — Maheen Khurshid  
(74) *Attorney, Agent, or Firm* — Bridgeway IP Law Group, PLLC; Sang Ho Lee; Hyun Woo Shin

(57) **CLAIM**

I claim the ornamental design for a mask, as shown and described.

**DESCRIPTION**

FIG. 1 is a perspective view of a mask, showing my new design;  
FIG. 2 is a front elevational view thereof;  
FIG. 3 is a rear elevational view thereof;  
FIG. 4 is a left side elevational view thereof;  
FIG. 5 is a right side elevational view thereof;  
FIG. 6 is a top plan view thereof;  
FIG. 7 is a bottom plan view thereof; and,  
FIG. 8 is another right side view thereof showing a configuration of use in which the mask is folded in half.

**1 Claim, 5 Drawing Sheets**

(30) **Foreign Application Priority Data**

May 4, 2020 (KR) ..... 30-2020-0019403

(51) **LOC (13) Cl.** ..... **29-02**

(52) **U.S. Cl.**  
USPC ..... **D24/110.1**; D29/108

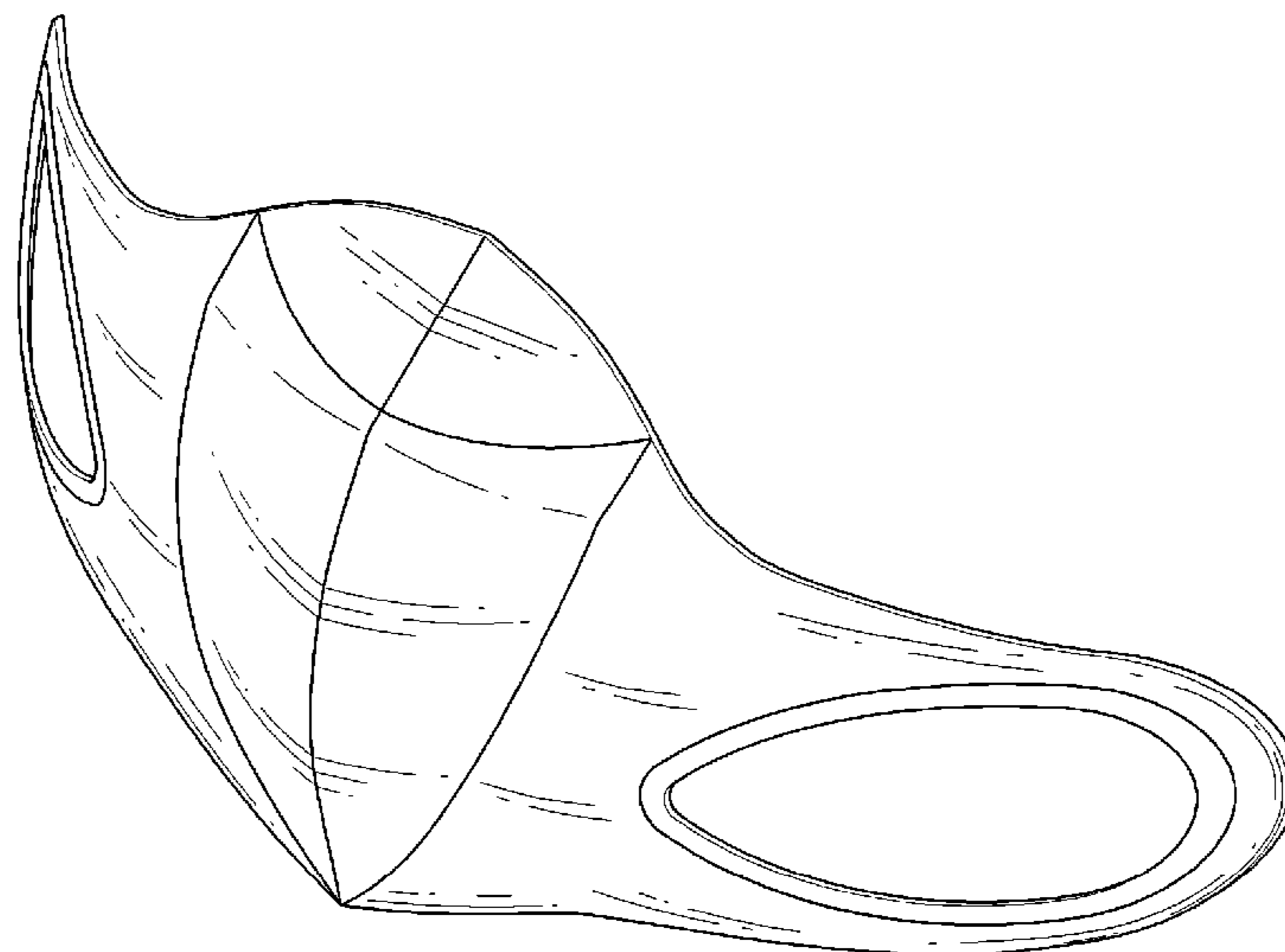
(58) **Field of Classification Search**  
USPC ..... D24/110–110.4, 110.6, 108, 162, 164;  
D29/105–108  
CPC ..... A61M 16/00; A62B 7/00; A62B 18/00;  
A62B 18/02; A62B 18/025; A62B  
18/084; A62B 18/086; A62B 18/10; A62B  
18/04; A62B 18/08; A62B 23/00; A41D  
13/11; A41D 13/1107; A41D 13/1115;  
A41D 13/1123; A41D 13/113; A41D  
13/1161

See application file for complete search history.

(56) **References Cited**

**U.S. PATENT DOCUMENTS**

D224,277 S \* 7/1972 Venaleck ..... D24/110.1  
D380,545 S \* 7/1997 Nozaki ..... D24/110.2  
D785,780 S \* 5/2017 Scarbrough ..... D24/110.1  
D822,195 S \* 7/2018 Kwong ..... D24/110.1  
D905,847 S \* 12/2020 Orman ..... D29/108  
D912,240 S \* 3/2021 Butler ..... D24/110.1  
D936,208 S \* 11/2021 Bindhammer ..... D29/108  
D936,906 S \* 11/2021 Xin ..... D29/108  
D947,364 S \* 3/2022 Eldibany ..... D24/110.4  
D949,327 S \* 4/2022 Park ..... D24/110.1  
D949,328 S \* 4/2022 Boyé ..... D24/110.1



(56)

**References Cited**

U.S. PATENT DOCUMENTS

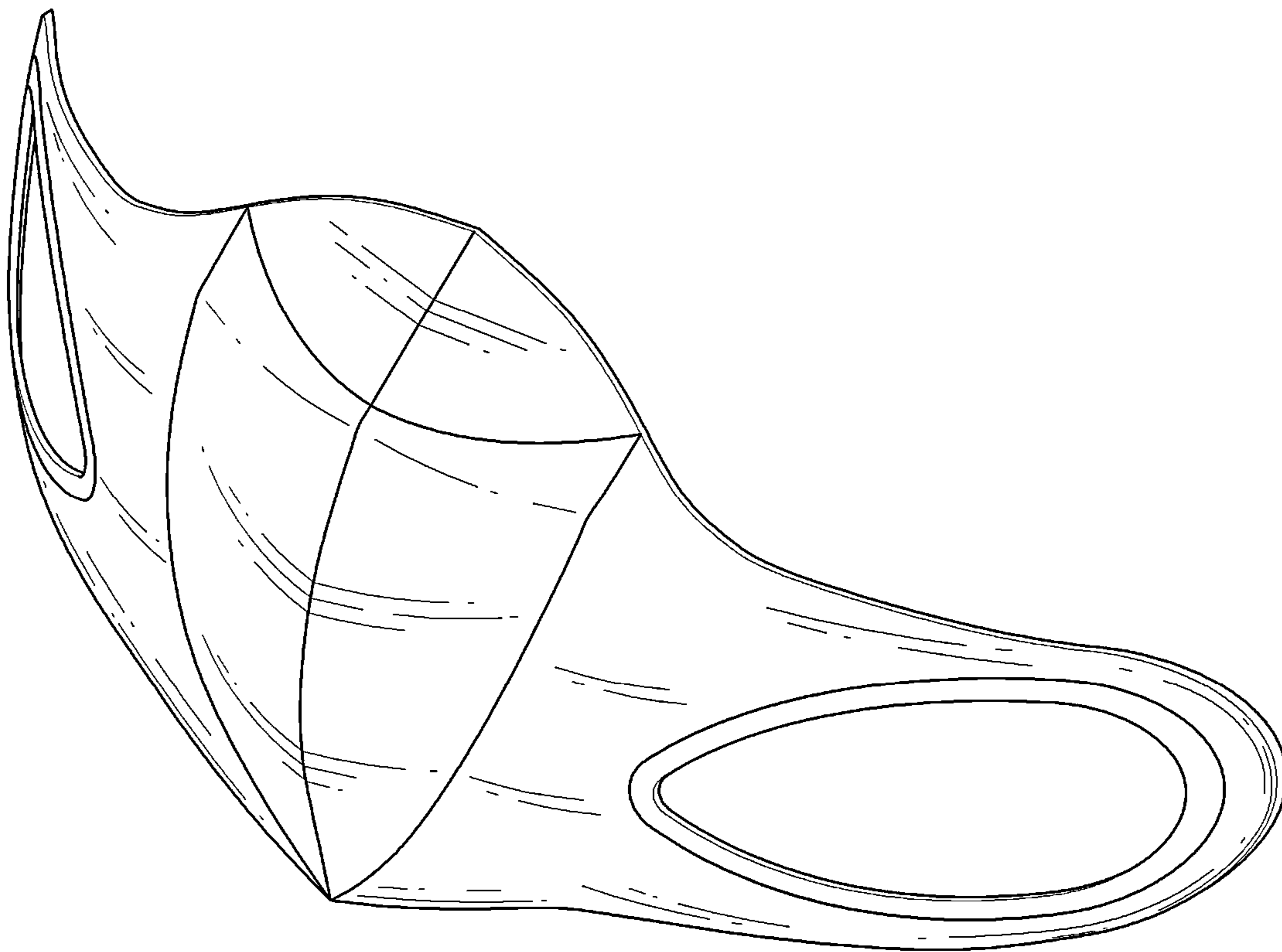
2012/0180800 A1\* 7/2012 Shibata ..... A41D 13/1192  
128/863  
2014/0224261 A1\* 8/2014 Tsuei ..... A62B 23/025  
156/159  
2015/0173436 A1\* 6/2015 Tsuei ..... A41D 13/113  
2/424

OTHER PUBLICATIONS

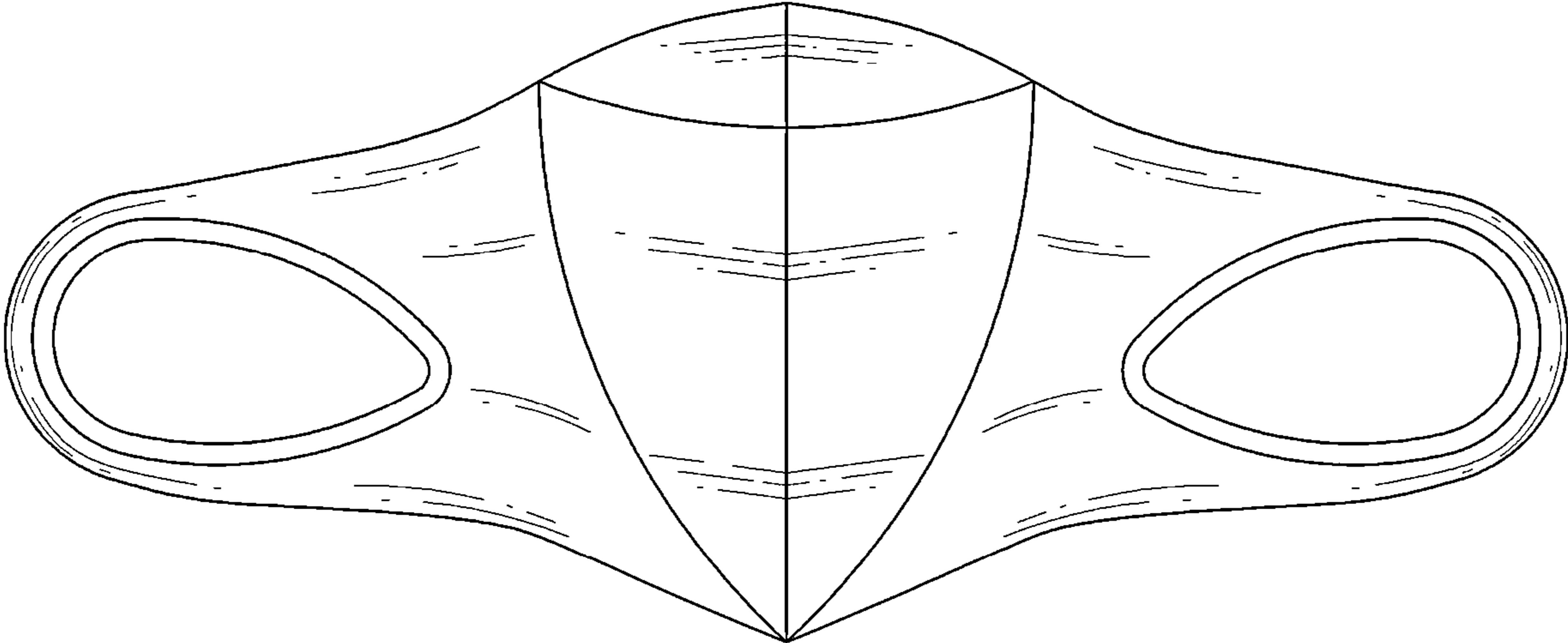
Light Weight Unisex Mask, Nov. 3, 2020, amazon.com [online],  
[site visited Jul. 16, 2022], Available from internet, URL: <[https://www.amazon.com/Weight-Fashion-Covering-Reusable-Washable/dp/B088YNMC7F/ref=sr\\_1\\_46?crid=DSLZFTVFGFS1&keywords=fashion%2Bmask%2Bfront%2Bdesign&qid=1658014036&srefix=fashion%2Bmask%2Bfront%2Bdesign%2Caps%2C71&sr=8-46&th=1](https://www.amazon.com/Weight-Fashion-Covering-Reusable-Washable/dp/B088YNMC7F/ref=sr_1_46?crid=DSLZFTVFGFS1&keywords=fashion%2Bmask%2Bfront%2Bdesign&qid=1658014036&srefix=fashion%2Bmask%2Bfront%2Bdesign%2Caps%2C71&sr=8-46&th=1)> (Year: 2020).\*

Under Armour Sports Facemask, Oct. 23, 2020, amazon.com [online],  
[site visited Jul. 16, 2022], Available from internet, URL: <[https://www.amazon.com/Under-Armour-Sports-Facemask-Black/dp/B08LR2NGXN/ref=sr\\_1\\_19?crid=S6CZ128EZPN5&keywords=athletic+face+mask+geometric&qid=1658014488&srefix=athletic+face+mask+geometric%2Caps%2C96&sr=8-19](https://www.amazon.com/Under-Armour-Sports-Facemask-Black/dp/B08LR2NGXN/ref=sr_1_19?crid=S6CZ128EZPN5&keywords=athletic+face+mask+geometric&qid=1658014488&srefix=athletic+face+mask+geometric%2Caps%2C96&sr=8-19)> (Year: 2020).\*

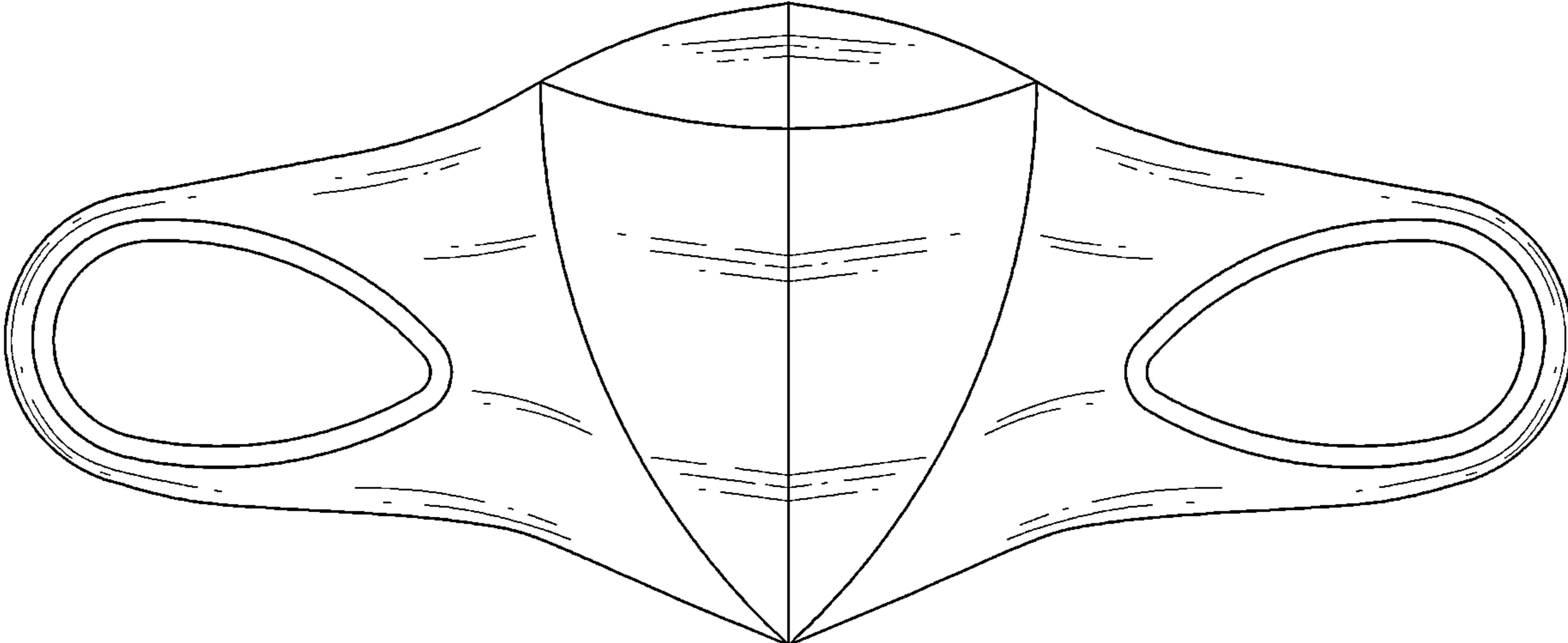
\* cited by examiner



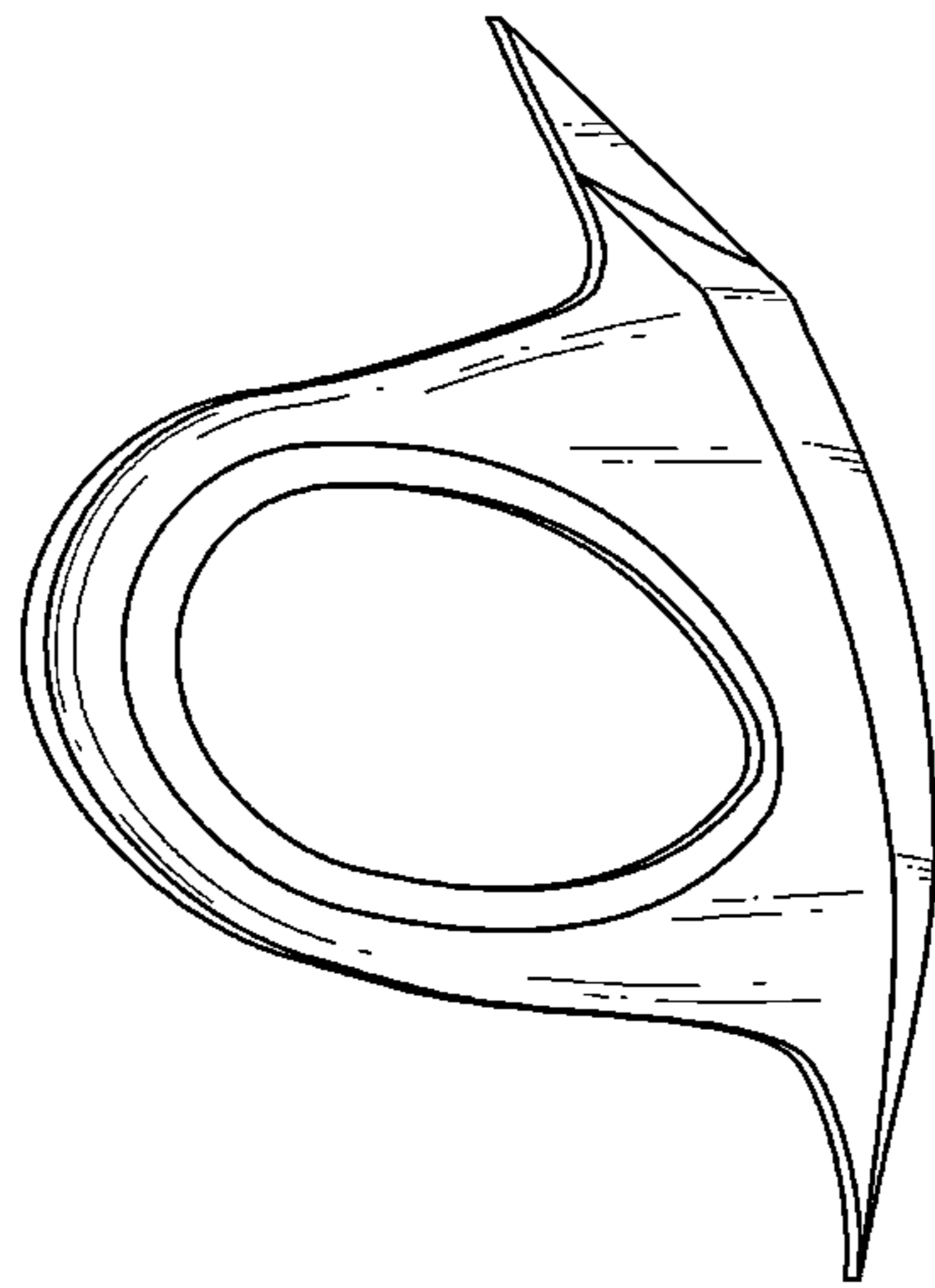
**FIG. 1**



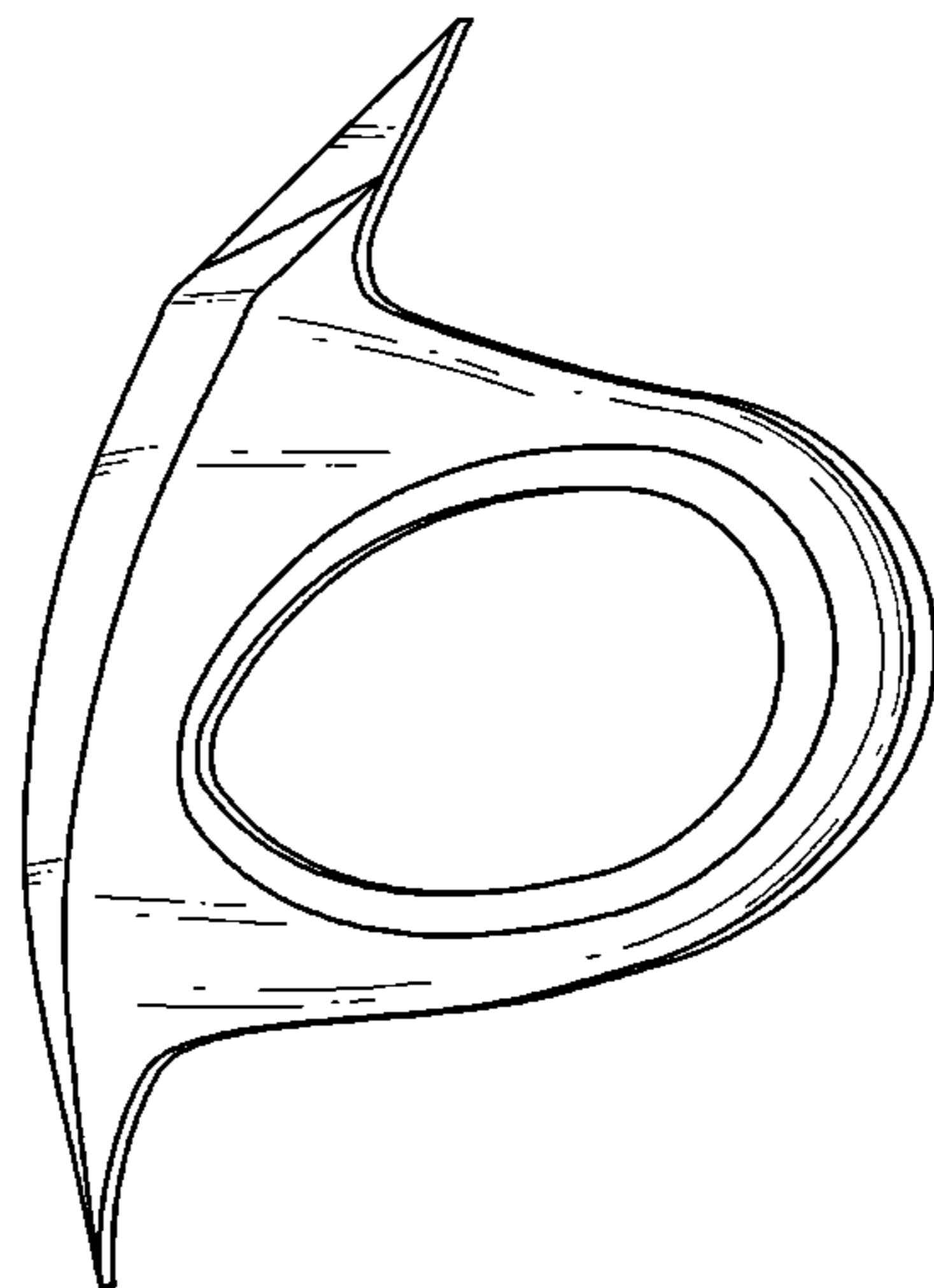
**FIG. 2**



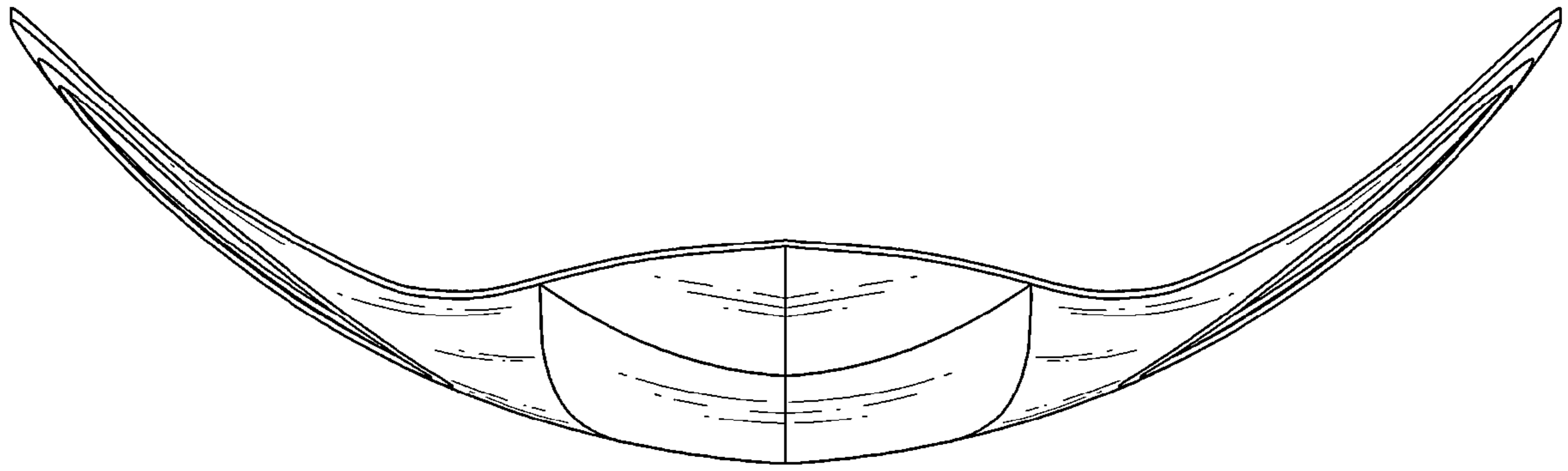
**FIG. 3**



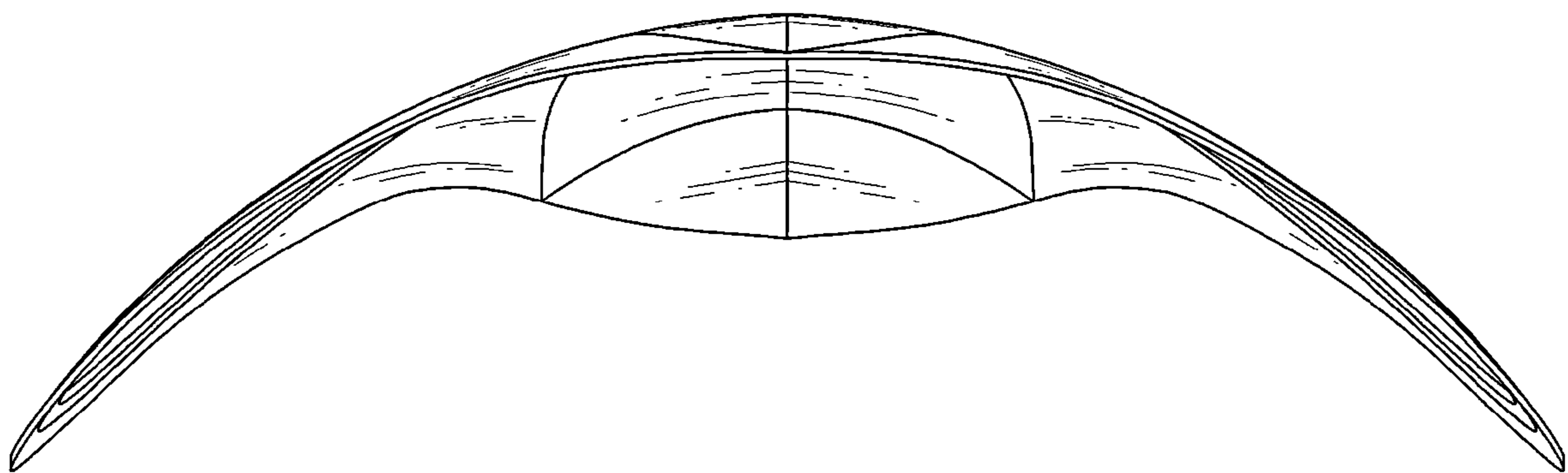
**FIG. 4**



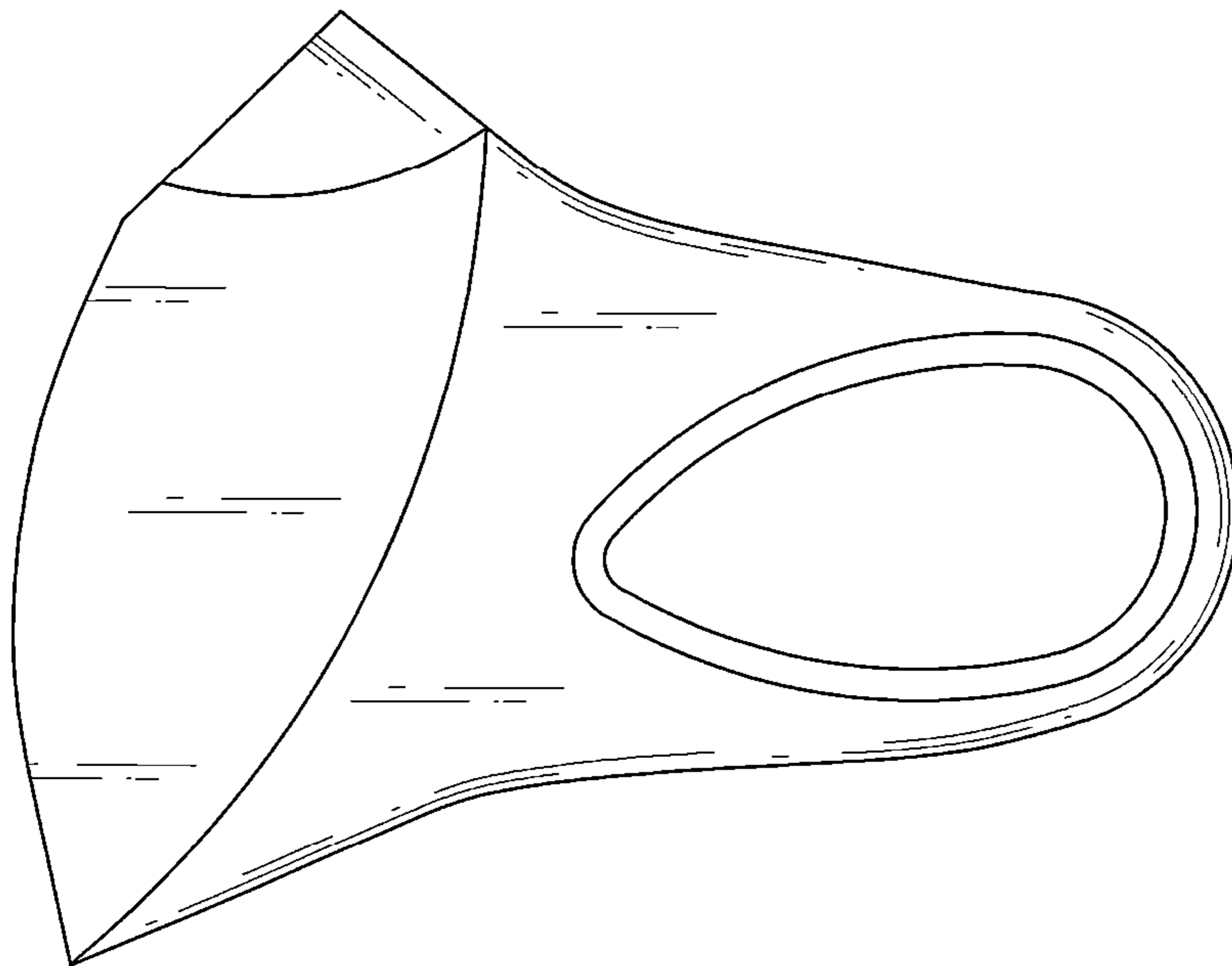
**FIG. 5**



**FIG. 6**



**FIG. 7**



**FIG. 8**