



US00D973863S

(12) **United States Design Patent**
Chandler

(10) **Patent No.:** **US D973,863 S**

(45) **Date of Patent:** **** Dec. 27, 2022**

- (54) **MASK**
- (71) Applicant: **INTELLISAFE LLC**, Denver, CO (US)
- (72) Inventor: **Trevor Chandler**, Thornton, CO (US)
- (73) Assignee: **INTELLISAFE LLC**, Denver, CO (US)
- (**) Term: **15 Years**
- (21) Appl. No.: **29/739,808**
- (22) Filed: **Jun. 29, 2020**
- (51) **LOC (13) Cl.** **29-02**
- (52) **U.S. Cl.**
USPC **D24/110.1**
- (58) **Field of Classification Search**
USPC D24/110, 110.1–110.6; D29/108
CPC . A41D 13/11; A41D 13/1107; A41D 13/1115;
A41D 13/1123; A41D 13/113; A41D 13/1138; A41D 13/1146; A41D 13/1153;
A41D 13/1161; A41D 13/1169; A41D 13/1176; A41D 13/1184; A61M 16/06;
A62B 18/00; A62B 18/02; A62B 18/025;
A62B 23/00
See application file for complete search history.

D374,951 S * 10/1996 Machson A41D 13/1184
D29/110
6,233,748 B1 5/2001 Gieger et al.
D568,545 S * 5/2008 Schaffner D29/110
(Continued)

FOREIGN PATENT DOCUMENTS

CN 102871240 A 1/2013
CN 111150152 A 5/2020
(Continued)

OTHER PUBLICATIONS

CRC Public Relations, “Oracle Lighting Develops COVID-19/ Virus Neutralizing UV-Light Face Mask For COnsumer/Medical Use”, <https://www.twice.com/the-wire/oracle-lighting-develops-covid-19-virus-neutralizing-uv-light-face-mask-for-consumer-medical-use>, May 14, 2020, 8 pages.
(Continued)

Primary Examiner — Richard Kearney
Assistant Examiner — Michael Hoffman
(74) *Attorney, Agent, or Firm* — Dorsey & Whitney LLP

(57) **CLAIM**

I claim the ornamental design for a mask, as shown and described.

(56) **References Cited**

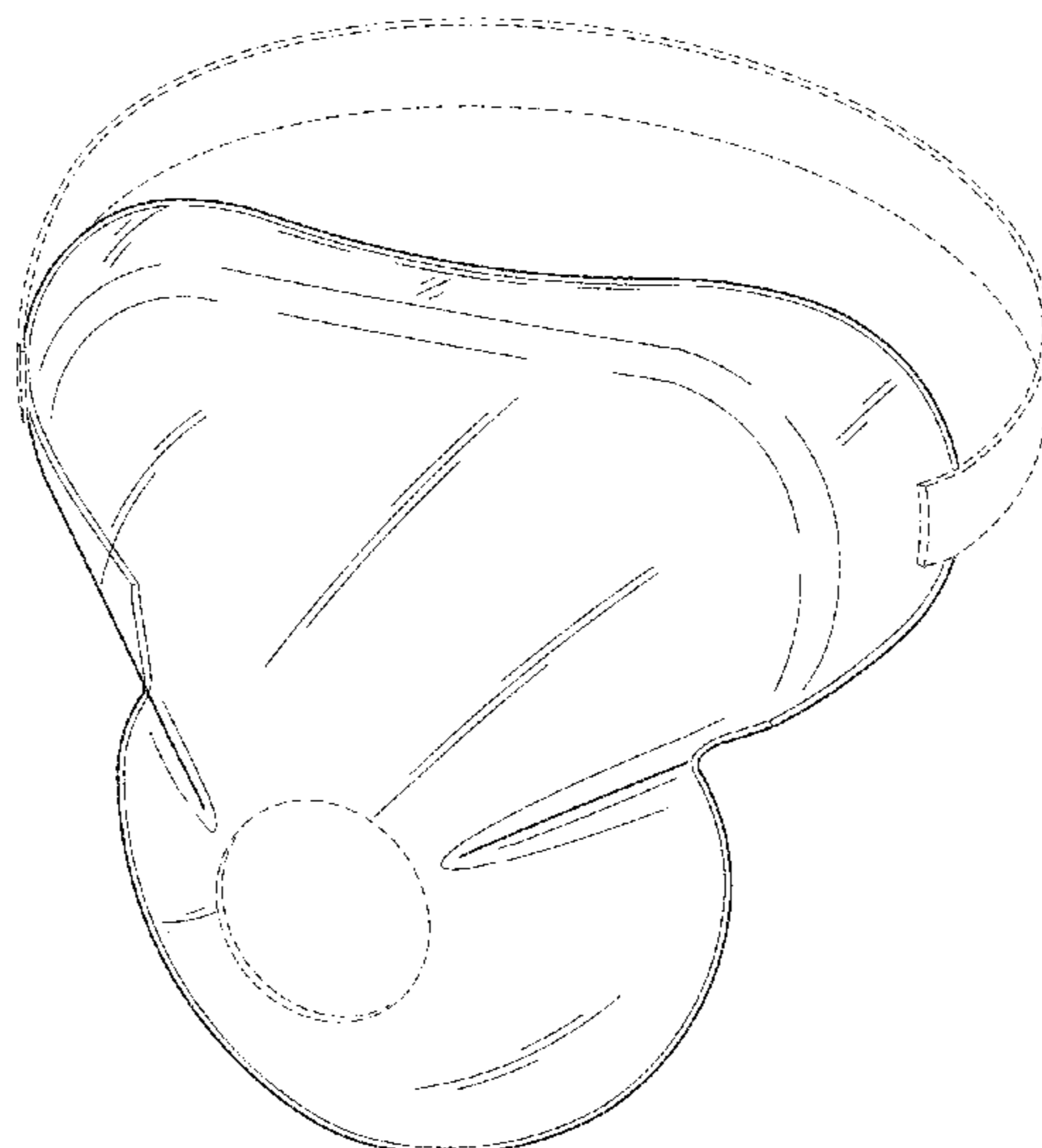
U.S. PATENT DOCUMENTS

- 3,878,563 A * 4/1975 Pulju A41D 13/1184
2/9
- 3,991,753 A * 11/1976 Viesca y Viesca .. A62B 18/082
351/158
- 4,694,179 A 9/1987 Lew et al.
- 4,764,990 A * 8/1988 Markert A61F 9/02
128/201.15
- 4,796,621 A * 1/1989 Barle A61F 9/029
128/206.19
- 5,088,114 A * 2/1992 Salce A61F 9/02
2/430
- 5,165,395 A 11/1992 Ricci

DESCRIPTION

FIG. 1 is a front isometric view of a mask.
FIG. 2 is a rear isometric view thereof.
FIG. 3 is a front view thereof.
FIG. 4 is a rear view thereof.
FIG. 5 is a left elevation view thereof.
FIG. 6 is a right elevation view thereof.
FIG. 7 is a top plan view thereof; and,
FIG. 8 is a bottom plan view thereof.
The broken lines illustrate portions of the mask that form no part of the claimed design.

1 Claim, 8 Drawing Sheets



(56)

References Cited

U.S. PATENT DOCUMENTS

D640,011 S * 6/2011 Teng D29/108
 10,335,618 B2 7/2019 Zhou et al.
 10,449,397 B2 10/2019 Vanderwoude et al.
 D907,226 S * 1/2021 Park D24/209
 D930,254 S * 9/2021 Hong D24/110.2
 D941,480 S * 1/2022 Kim D24/209
 D945,078 S * 3/2022 Wu D29/108
 D949,357 S * 4/2022 Yao D24/209
 D949,485 S * 4/2022 Wu D29/110
 D957,661 S * 7/2022 Kwon D24/209
 11,382,370 B2 7/2022 Chandler et al.
 D959,754 S * 8/2022 Hughes D24/110.2
 2003/0111075 A1 6/2003 Wen
 2007/0163588 A1 7/2007 Hebrank et al.
 2009/0004047 A1 1/2009 Hunter et al.
 2009/0014002 A1 1/2009 Krafthefer et al.
 2010/0132715 A1 6/2010 Litz
 2010/0229275 A1* 9/2010 Wilson A61F 9/04
 2/9
 2013/0180529 A1 7/2013 Matich
 2015/0114397 A1 4/2015 Litz
 2015/0237931 A1* 8/2015 Miller A41D 13/1184
 2/9
 2016/0038624 A1 2/2016 Krosney
 2018/0311515 A1 11/2018 Wilson et al.
 2021/0330853 A1 10/2021 Mizandari
 2021/0401084 A1* 12/2021 Lamoncha A41D 13/1184
 2021/0401086 A1* 12/2021 Chandler A41D 13/1184

FOREIGN PATENT DOCUMENTS

CN 111165940 A 5/2020
 KR 20190138151 A 12/2019

OTHER PUBLICATIONS

Indiegogo, "Leaf Mask, World's first FDA, UV-C N99, Clear mask", <https://www.indiegogo.com/projects/leaf-mask-world-s-first-fda-uv-c-n99-clear-mask/>, (Accessed Jul. 30, 2020), 57 pages.
 Sonovia, "Masks", <https://sonoviatech.com/shop/>, (Accessed Jul. 2, 2020), 7 pages.
 CRL Public Relations, "Oracle Lighting Develops COVID-19/Virus Neutralizing UV-Light Face Mask For Consumer/Medical Use", <https://www.twice.com/the-wire/oracle-lighting-develops-covid-19-virus-neutralizing-uv-light-face-mask-for-consumer-medical-use>, May 14, 2020, 8 pages.
 Electro Optics, Issue 303, May 2020, 48 pages.
 Indiegogo, "Leaf Mask, World's first Fda, Uv-C N99, Clear mask", <https://www.indiegogo.com/projects/leaf-mask-world-s-first-fda-uv-c-n99-clear-mask/>, (Accessed Jul. 30, 2020), 57 pages.
 Kickstarter, "Uv Mask: Real-Time Uv-C Filtration & Purification Face Mask", <https://www.kickstarter.com/projects/umsystems/uvmask-inactivate-9999-of-all-pathogens-and-air-pollutants>, (Accessed Jul. 20, 2020), 61 pages.

* cited by examiner

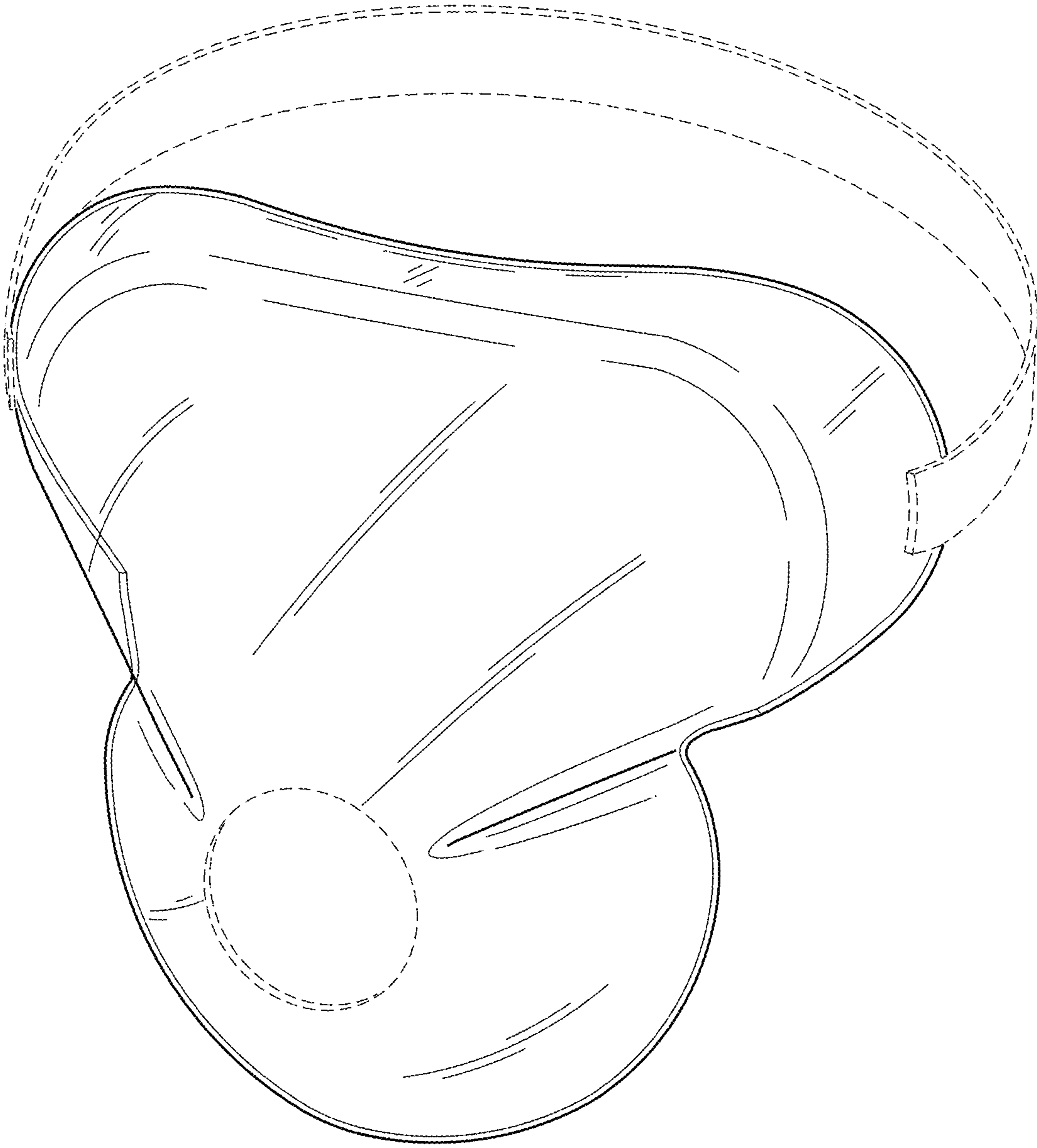


FIG. 1

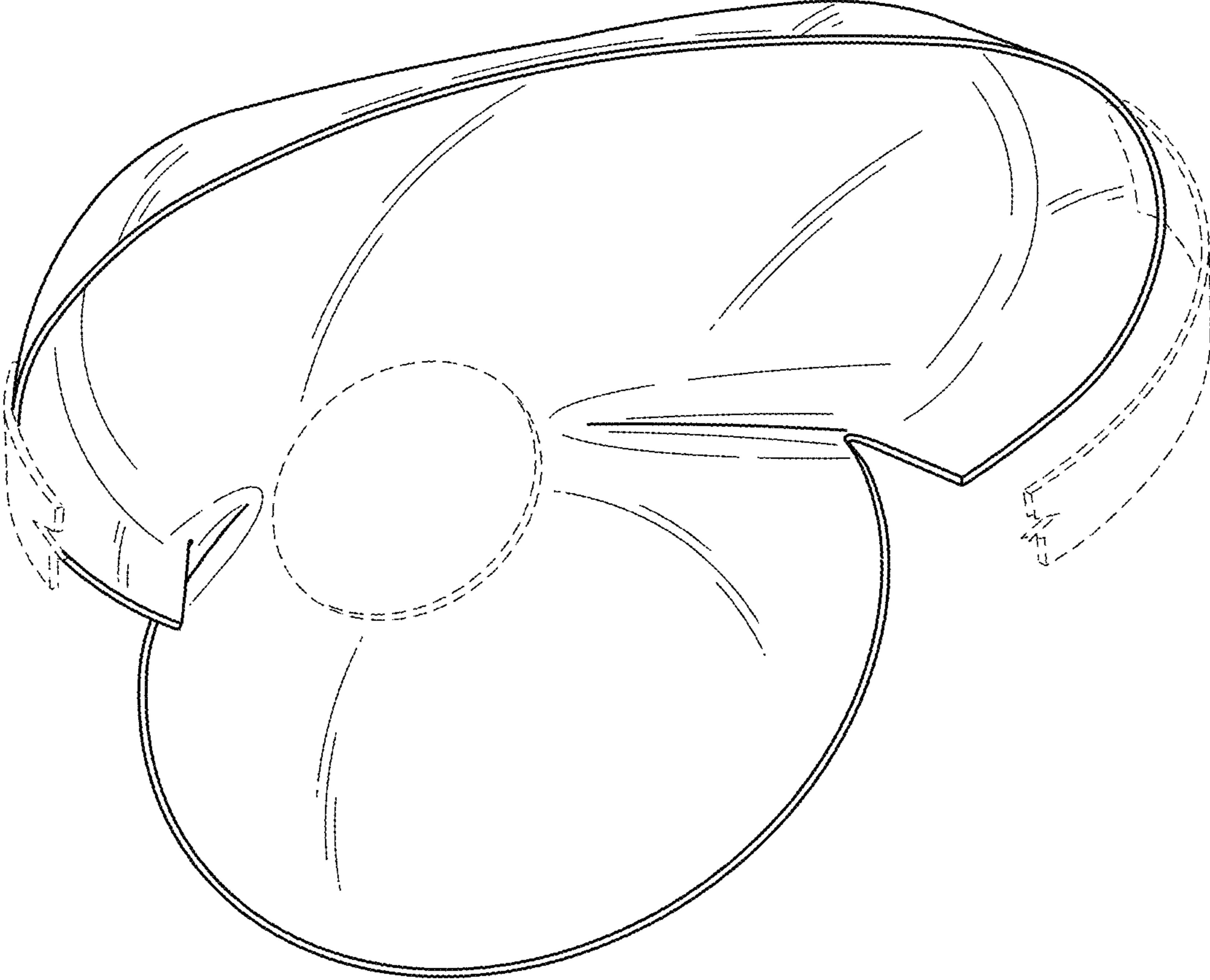


FIG. 2

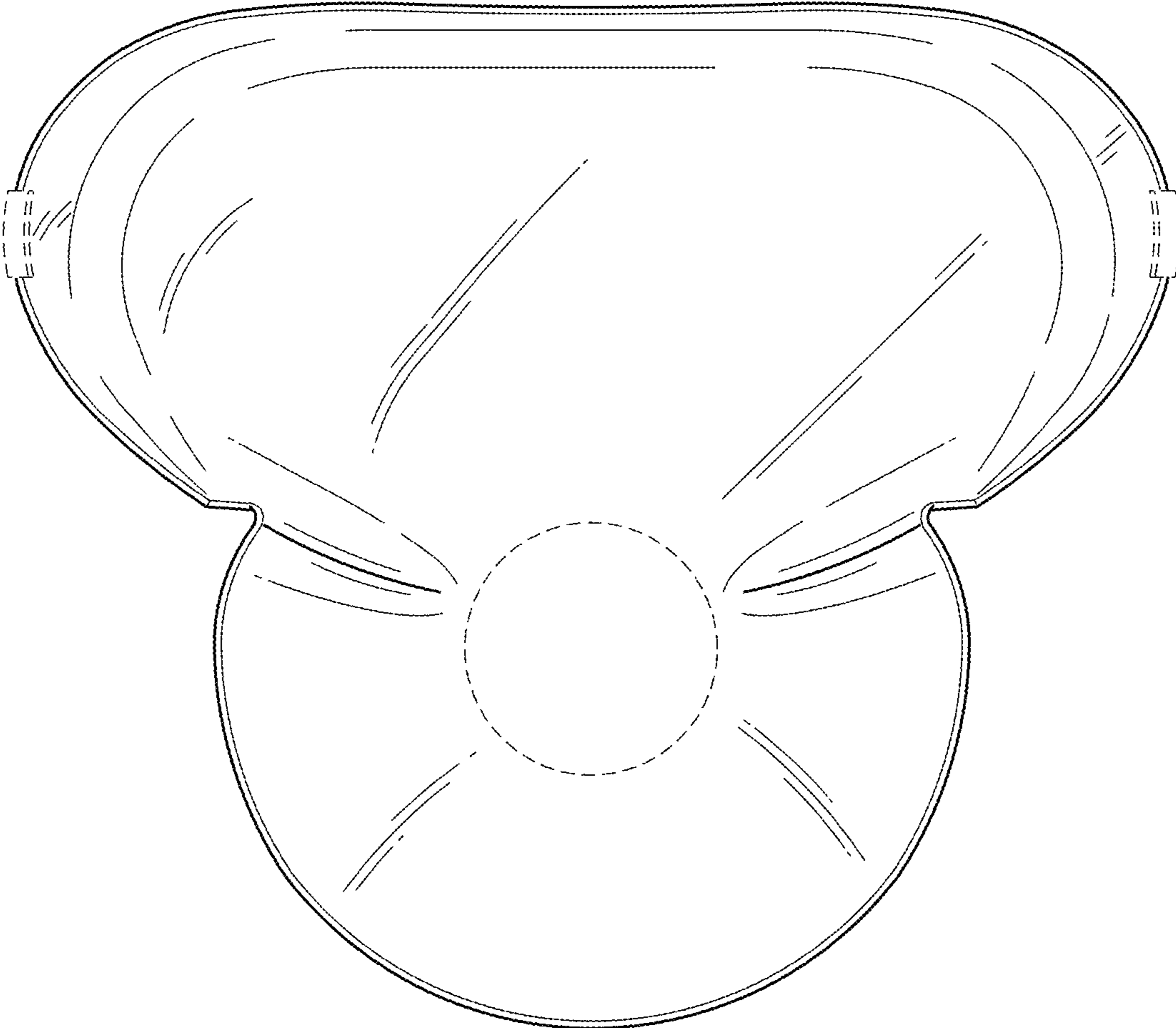


FIG. 3

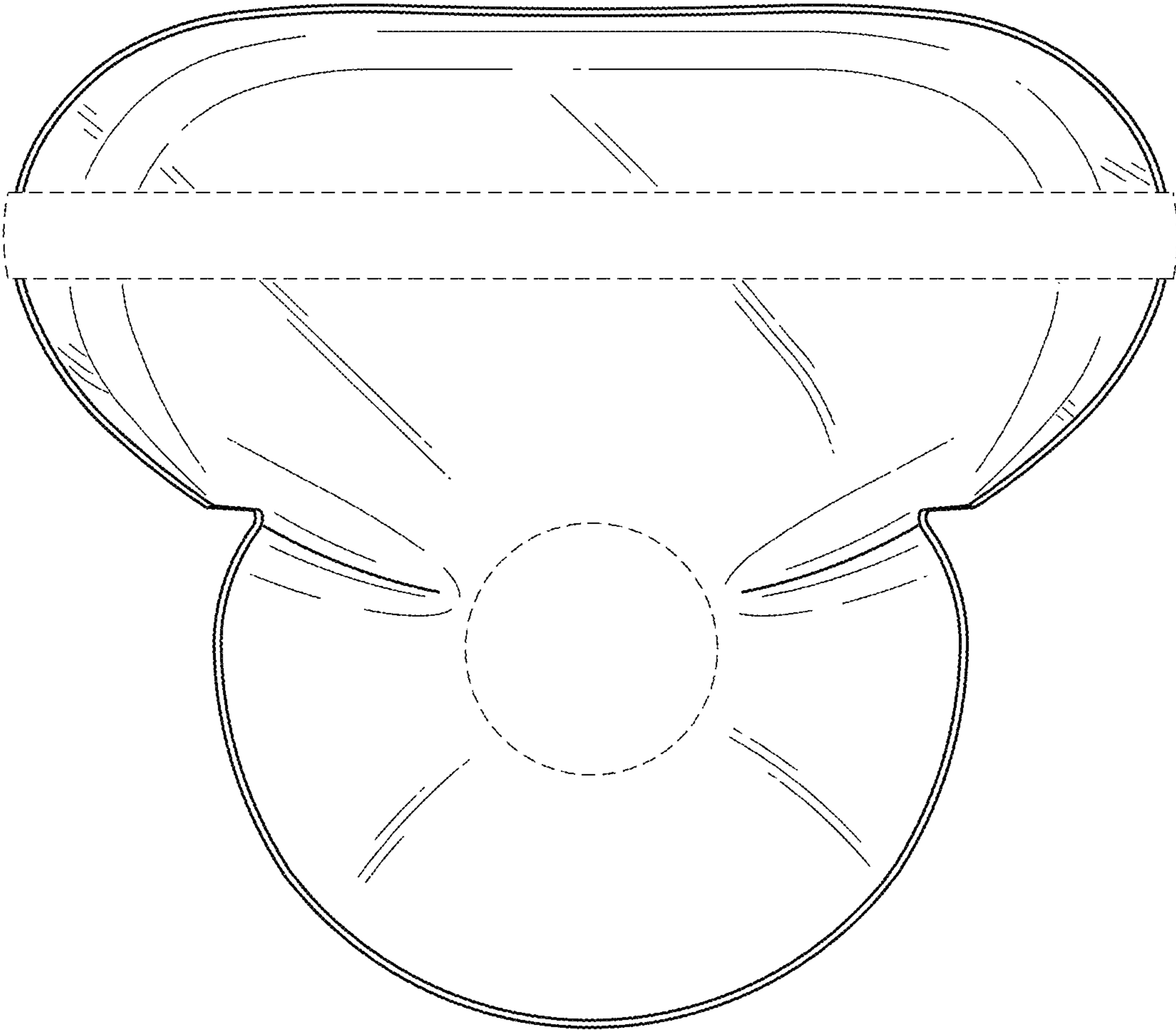


FIG. 4

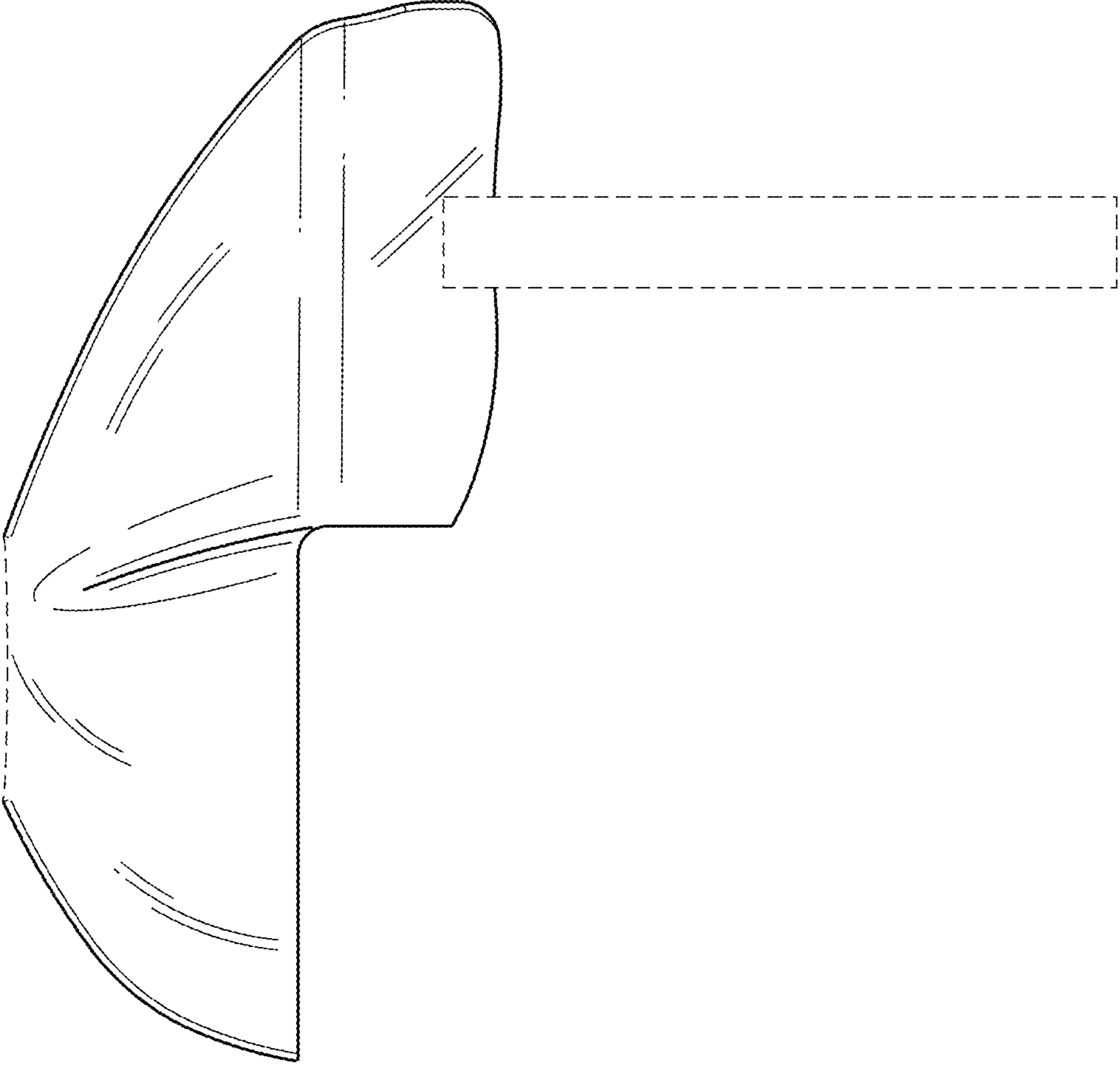


FIG. 5

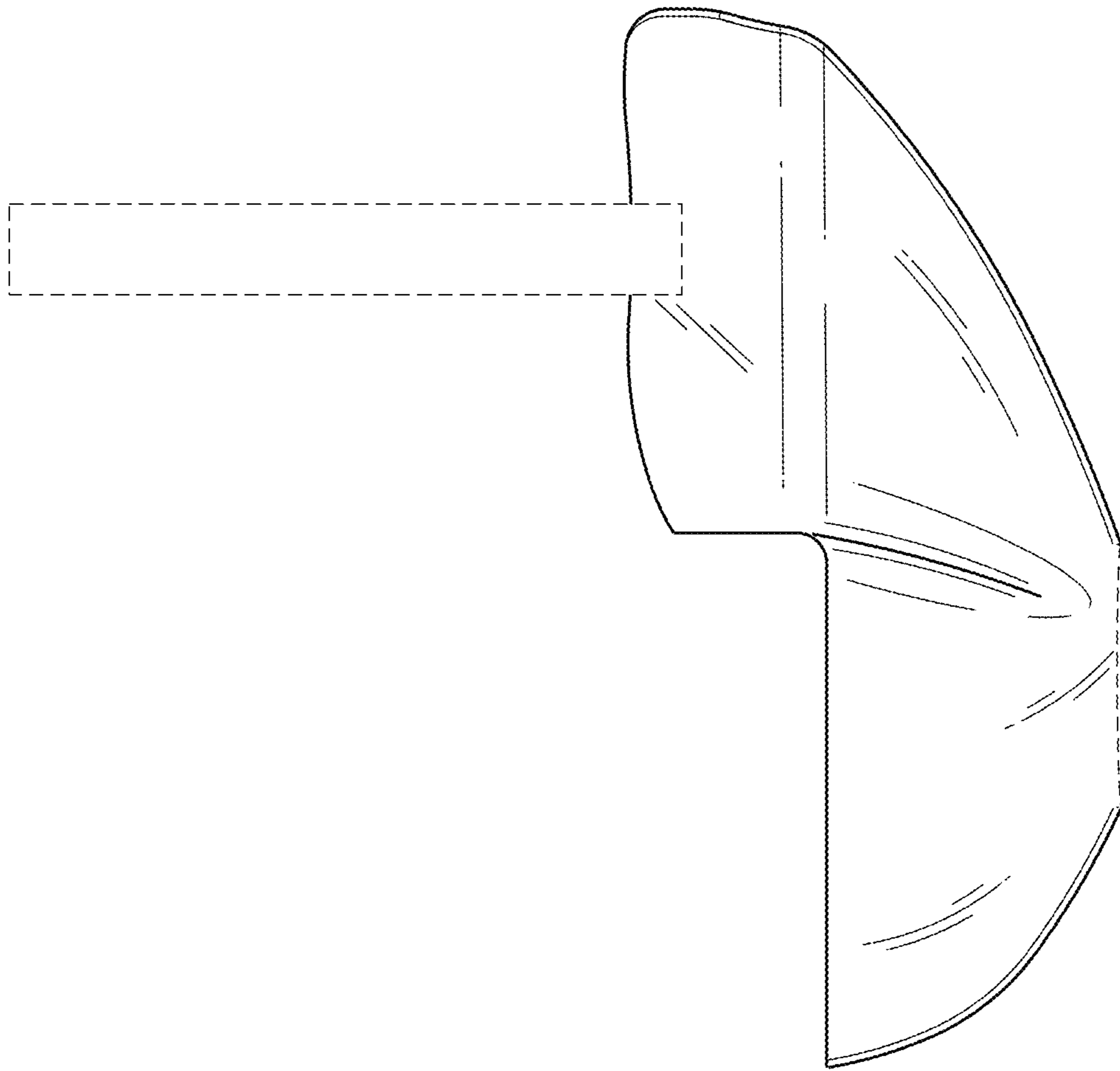


FIG. 6

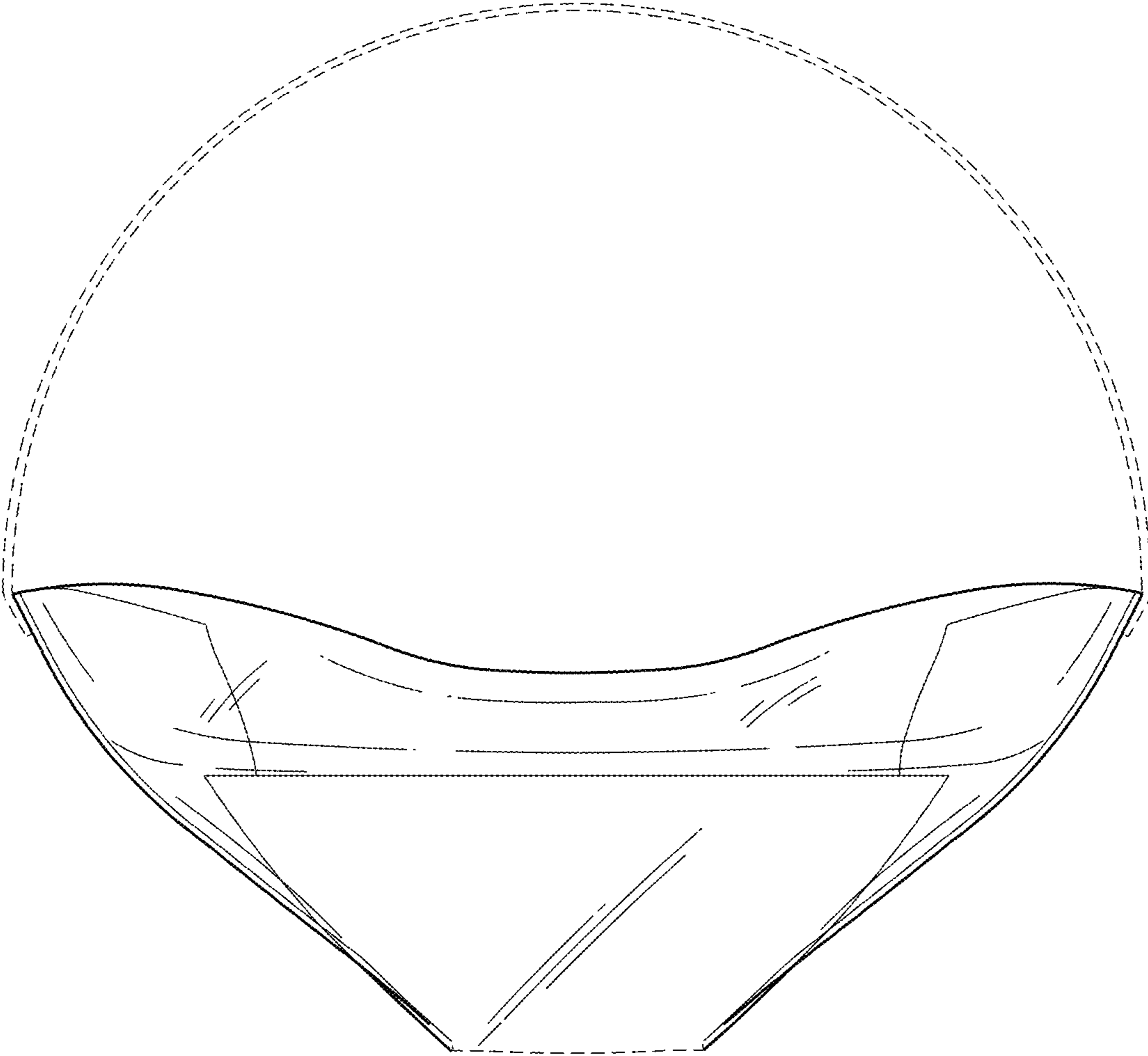


FIG. 7

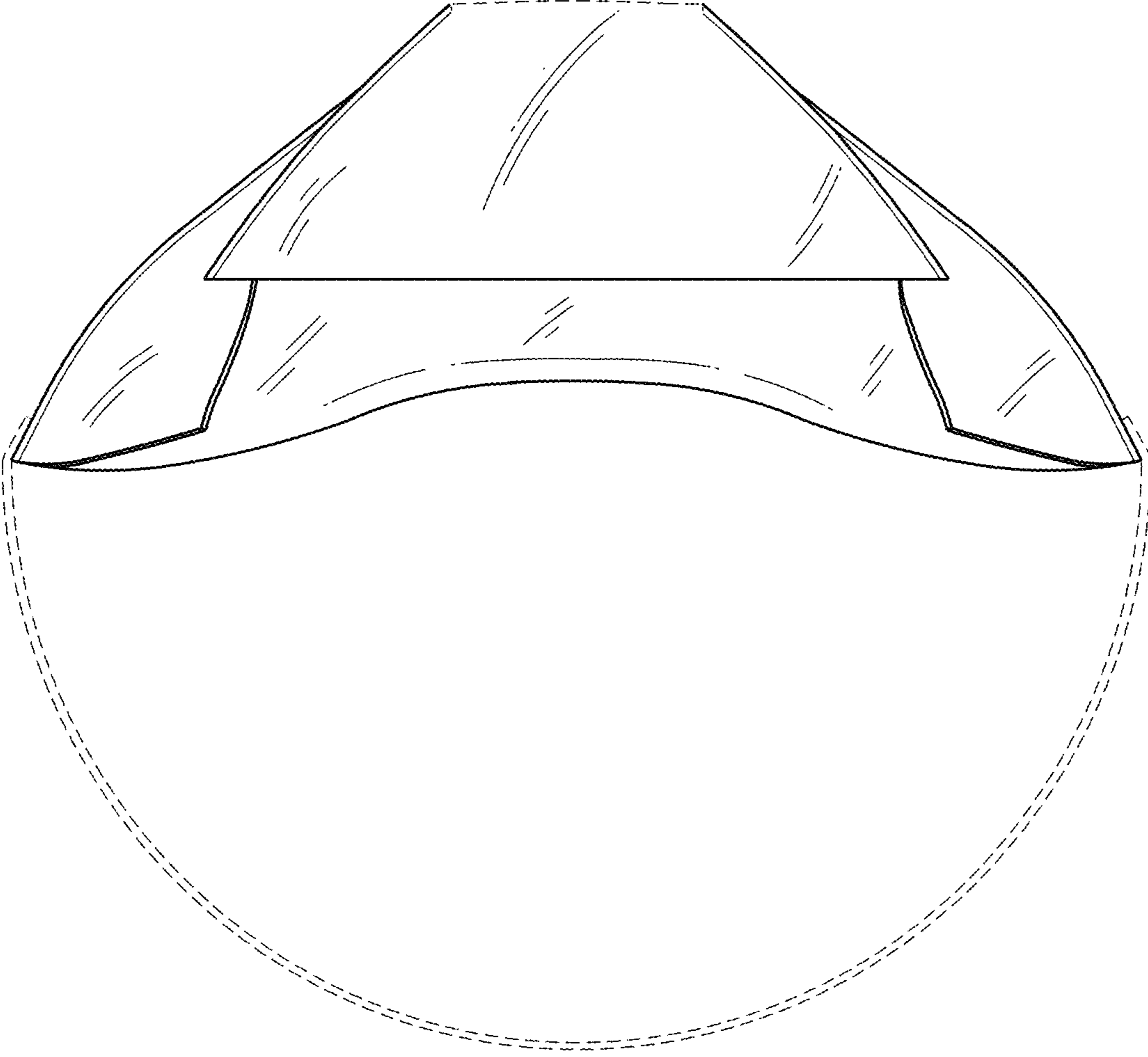


FIG. 8