



US00D973862S

(12) **United States Design Patent**
How et al.

(10) **Patent No.:** **US D973,862 S**

(45) **Date of Patent:** **** Dec. 27, 2022**

(54) **EXPIRATORY TUBE**

(71) Applicant: **Fisher & Paykel Healthcare Limited**,
Auckland (NZ)

(72) Inventors: **David-Reyner Cailun How**, Auckland
(NZ); **Karla Maree Dey**, Auckland
(NZ); **Manuel Dindas**, Auckland (NZ);
Paul Joseph Moody, Auckland (NZ);
Telge Nishan Chaturanga Peiris,
Auckland (NZ)

(73) Assignee: **Fisher & Paykel Healthcare Limited**,
Auckland (NZ)

(**) Term: **15 Years**

(21) Appl. No.: **29/668,273**

(22) Filed: **Oct. 29, 2018**

(51) **LOC (13) Cl.** **29-02**

(52) **U.S. Cl.**
USPC **D24/110**

(58) **Field of Classification Search**
USPC D24/110-110.6, 127, 129; D29/110
CPC A61M 16/0616; A61M 16/0633; A61M
16/06; A61M 16/0666; A61M 16/0683;
A61M 16/0605; A61M 16/0622; A61M
16/0644; A61M 16/0875; A61M 16/0816;
A61M 16/08; B63C 11/205; B63C 11/16;
B63C 11/186; B63C 11/12

See application file for complete search history.

(56) **References Cited**

U.S. PATENT DOCUMENTS

5,243,971	A *	9/1993	Sullivan	A61M 16/06 128/204.18
6,119,694	A *	9/2000	Correa	A61M 16/0666 128/207.13
D439,326	S *	3/2001	Hecker	D24/110.1
D586,907	S *	2/2009	Judson	D24/110.1
D623,288	S *	9/2010	Lubke	D24/110.1
D656,231	S *	3/2012	Henry	D24/110.1
D659,237	S *	5/2012	Lubke	D24/110.1

D664,250	S *	7/2012	Scheiner	D24/110.1
D691,712	S *	10/2013	Judson	D24/110.1
D692,554	S *	10/2013	Siew	D24/110.1
D704,329	S *	5/2014	Collazo	D24/110.1

(Continued)

FOREIGN PATENT DOCUMENTS

WO	WO 2016/007019	A1	1/2016
WO	WO 2019/164409	A1	8/2019

OTHER PUBLICATIONS

BiPAP Tubing, posted at helpmedicalsupplies.com, [online], acquired on Dec. 4, 2021, Available on internet. url:https://helpmedicalsupplies.com/products/fisher-paykel-cpap-tubing-6-ft?variant=30768876322931&gclid=EA1alQobChMljpfVif7K9AIV6Pv1Ch3HFgSNEAYYCCABEgJB6_D_BwE (Year: 2021).*

Primary Examiner — Samantha Wood

Assistant Examiner — Aula Soroush

(74) *Attorney, Agent, or Firm* — Knobbe Martens Olson & Bear LLP

(57) **CLAIM**

The ornamental design for an expiratory tube, as shown and described.

DESCRIPTION

FIG. 1 is a front, top, and right-side perspective view of an expiratory tube embodying our new design.

FIG. 2 is a front view of the expiratory tube of FIG. 1.

FIG. 3 is a top view of the expiratory tube of FIG. 1.

FIG. 4 is a rear view of the expiratory tube of FIG. 1.

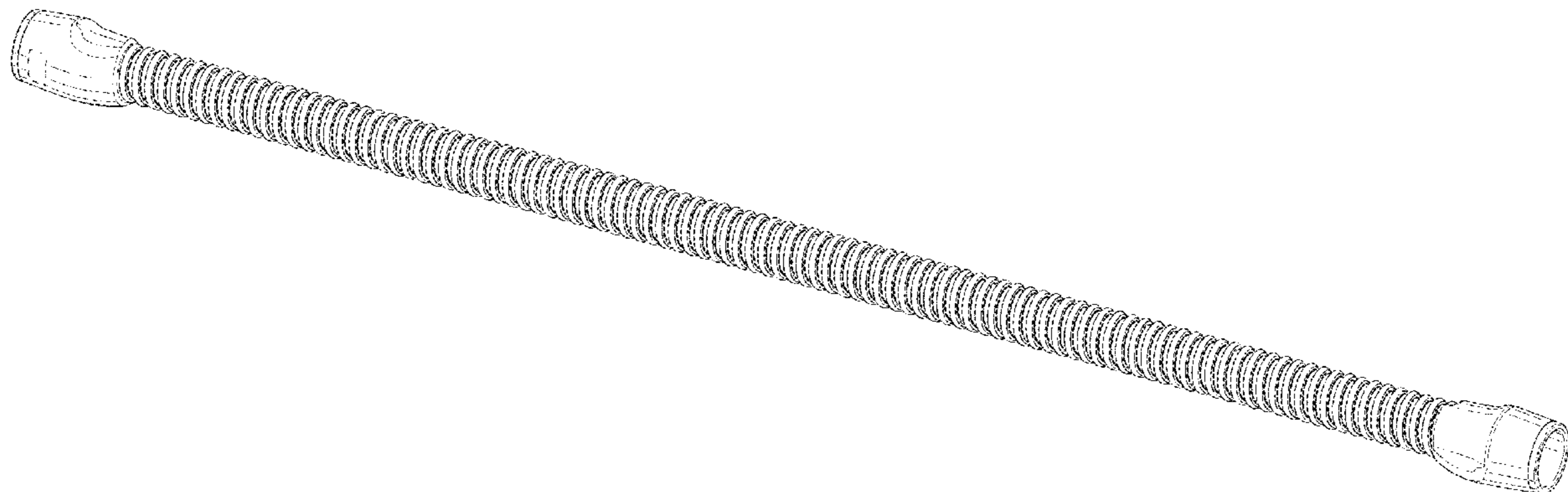
FIG. 5 is a bottom view of the expiratory tube of FIG. 1.

FIG. 6 is an enlarged left-side elevation view of the expiratory tube of FIG. 1; and,

FIG. 7 is an enlarged right-side elevation view expiratory tube of FIG. 1.

Broken lines are used to illustrate portions of the expiratory tube that form no part of the claimed design.

1 Claim, 3 Drawing Sheets



(56)

References Cited

U.S. PATENT DOCUMENTS

D708,736 S * 7/2014 Judson D24/110.5
D737,953 S * 9/2015 Wells D24/110
D740,935 S * 10/2015 Cullen D24/110.1
D743,535 S * 11/2015 Wells D24/110
D751,687 S * 3/2016 Daly D24/110
D757,252 S * 5/2016 Von Moger D24/110.5
D764,049 S * 8/2016 Cullen D24/110.4
D770,036 S * 10/2016 Walls D24/110.4
D771,238 S * 11/2016 Scheiner D24/110.1
D787,661 S * 5/2017 Edwards D24/110.4
D787,662 S * 5/2017 Guney D24/110.4
D794,772 S * 8/2017 Cullen D24/110.4
D797,921 S * 9/2017 Huang D24/110.4
D805,630 S * 12/2017 Formica D24/110
D808,516 S * 1/2018 Edwards D24/110.4
D815,728 S * 4/2018 Walls D24/110.4
2012/0090622 A1 * 4/2012 Chang A61M 16/0666
128/207.18
2014/0000614 A1 * 1/2014 Chang A61M 16/0666
128/205.25
2017/0000964 A1 * 1/2017 Shafer A61M 16/06
2017/0368285 A1 * 12/2017 Wood A61M 16/0666
2018/0001044 A1 * 1/2018 Stephens A61M 16/0605
2022/0160978 A1 * 5/2022 Virr A61M 16/1075

* cited by examiner

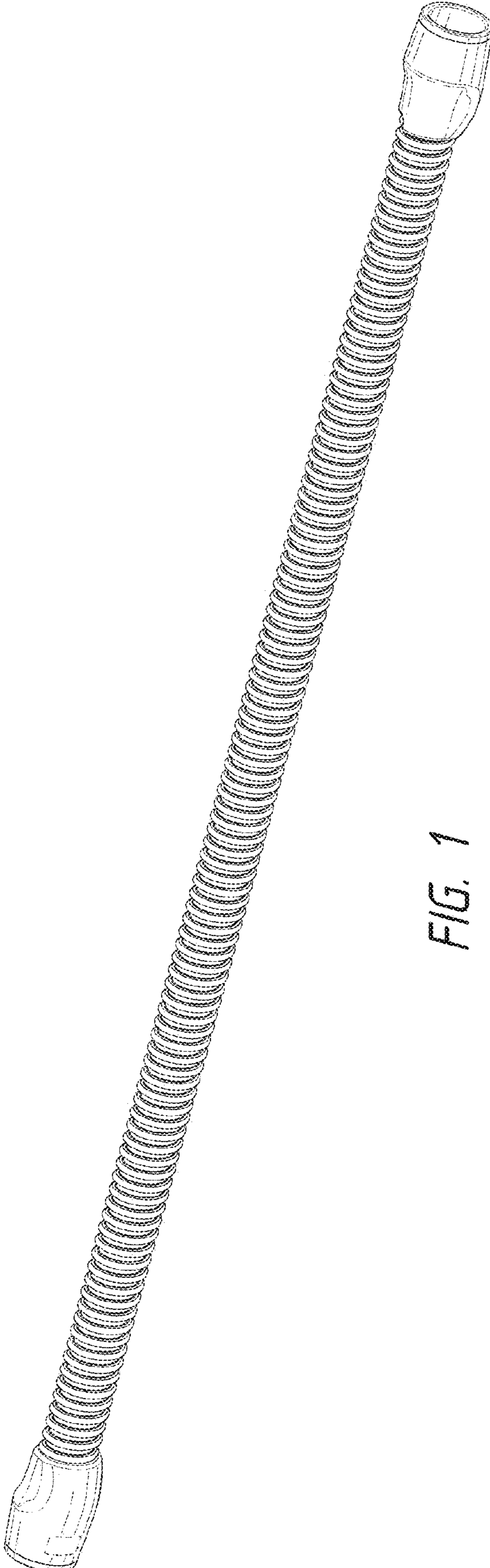


FIG. 1



FIG. 2

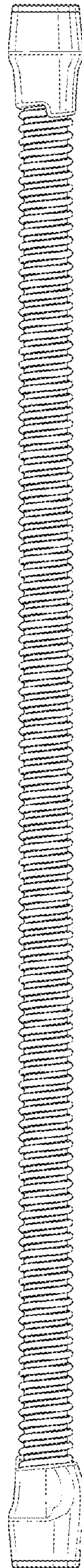


FIG. 3

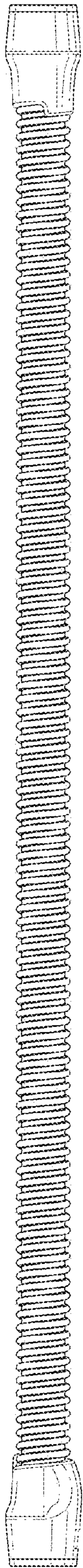


FIG. 4

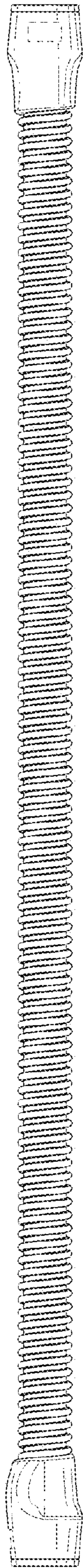


FIG. 5



FIG. 7

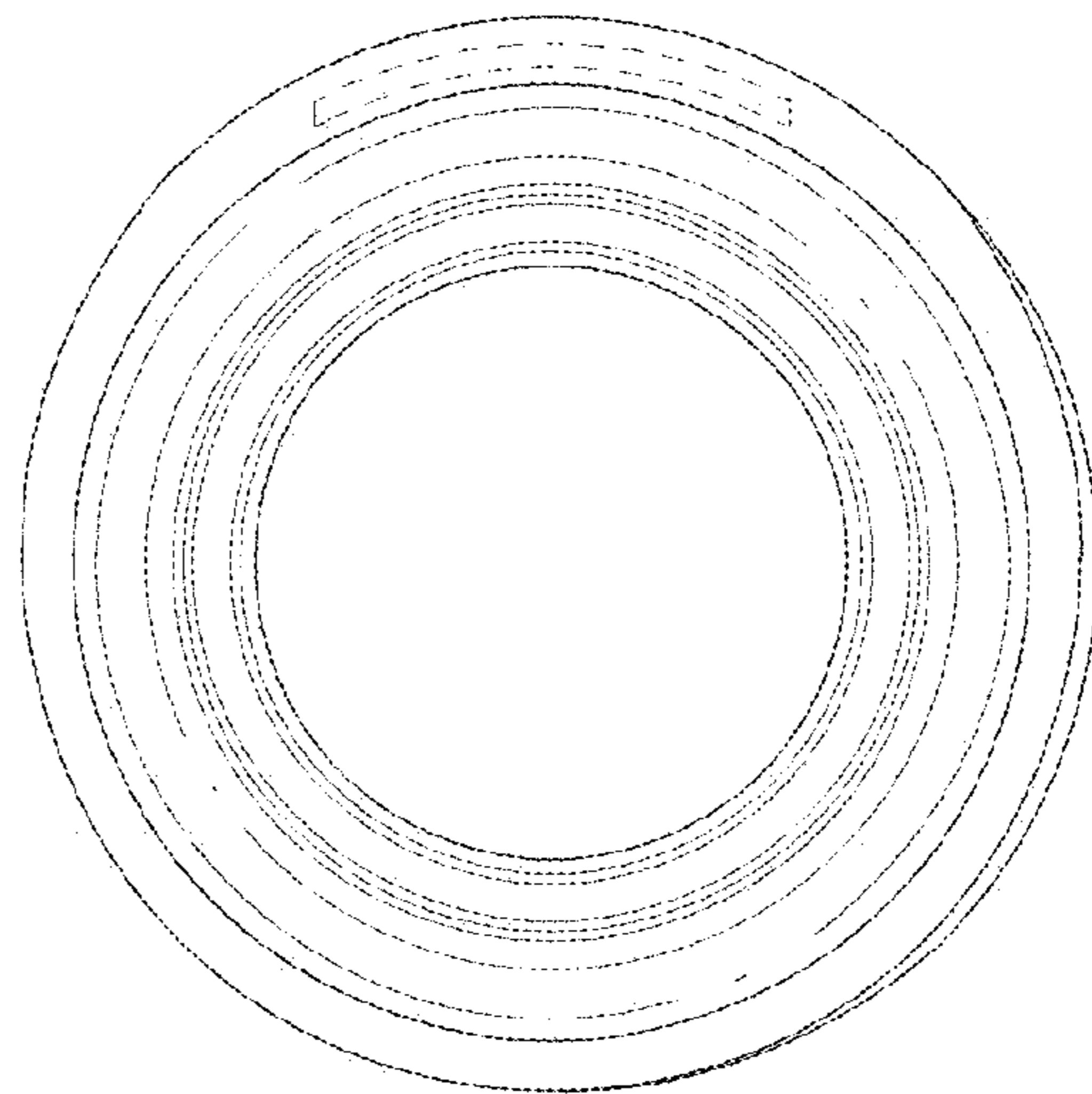


FIG. 6