



US00D973858S

(12) **United States Design Patent** (10) **Patent No.:** **US D973,858 S**
Juhlin et al. (45) **Date of Patent:** **** Dec. 27, 2022**

(54) **AIR PURIFIER**

D675,190 S 1/2013 Nylen
D682,406 S 5/2013 Yeom
D695,711 S 12/2013 Szymanski et al.
D713,405 S 9/2014 Akana et al.

(71) Applicant: **Blueair AB**, Stockholm (SE)

(Continued)

(72) Inventors: **Erik Oskar Juhlin**, Stockholm (SE);
Jan Markus Mikael Puranen,
Stockholm (SE)

FOREIGN PATENT DOCUMENTS

(73) Assignee: **Blueair AB**, Stockholm (SE)

CA 2632450 A1 12/2009
CN 104014204 9/2014

(**) Term: **15 Years**

(Continued)

(21) Appl. No.: **29/759,546**

OTHER PUBLICATIONS

(22) Filed: **Nov. 24, 2020**

Blueair DustMagnet Air Purifier, posted Jan. 29, 2021 [online],
[retrieved Jan. 12, 2022]. Retrieved from internet, <https://www.youtube.com/watch?v=XX2H3Tsnwgg> (on or around timestamp
0:40 into the video).*

(30) **Foreign Application Priority Data**

(Continued)

May 27, 2020 (EM) 007972278-0001
May 27, 2020 (EM) 007972278-0003

(51) **LOC (13) Cl.** **23-04**

(52) **U.S. Cl.**
USPC **D23/364**

(58) **Field of Classification Search**
USPC D23/356, 359, 364-365, 378, 499;
D14/204, 240

CPC F24F 1/029; F24F 1/035; F24F 1/0287;
F24F 6/06; F24F 6/14; F24F 13/06; F24F
13/20; F24F 13/222; F24F 3/16; F24F
3/1405; F24F 3/1603; B05B 17/06

See application file for complete search history.

Primary Examiner — Barbara Fox

Assistant Examiner — Jamaal Rasheed

(74) *Attorney, Agent, or Firm* — N.V. Nederlandsch
Octrooibureau

(56) **References Cited**

(57) **CLAIM**

The ornamental design for an air purifier, as shown and
described.

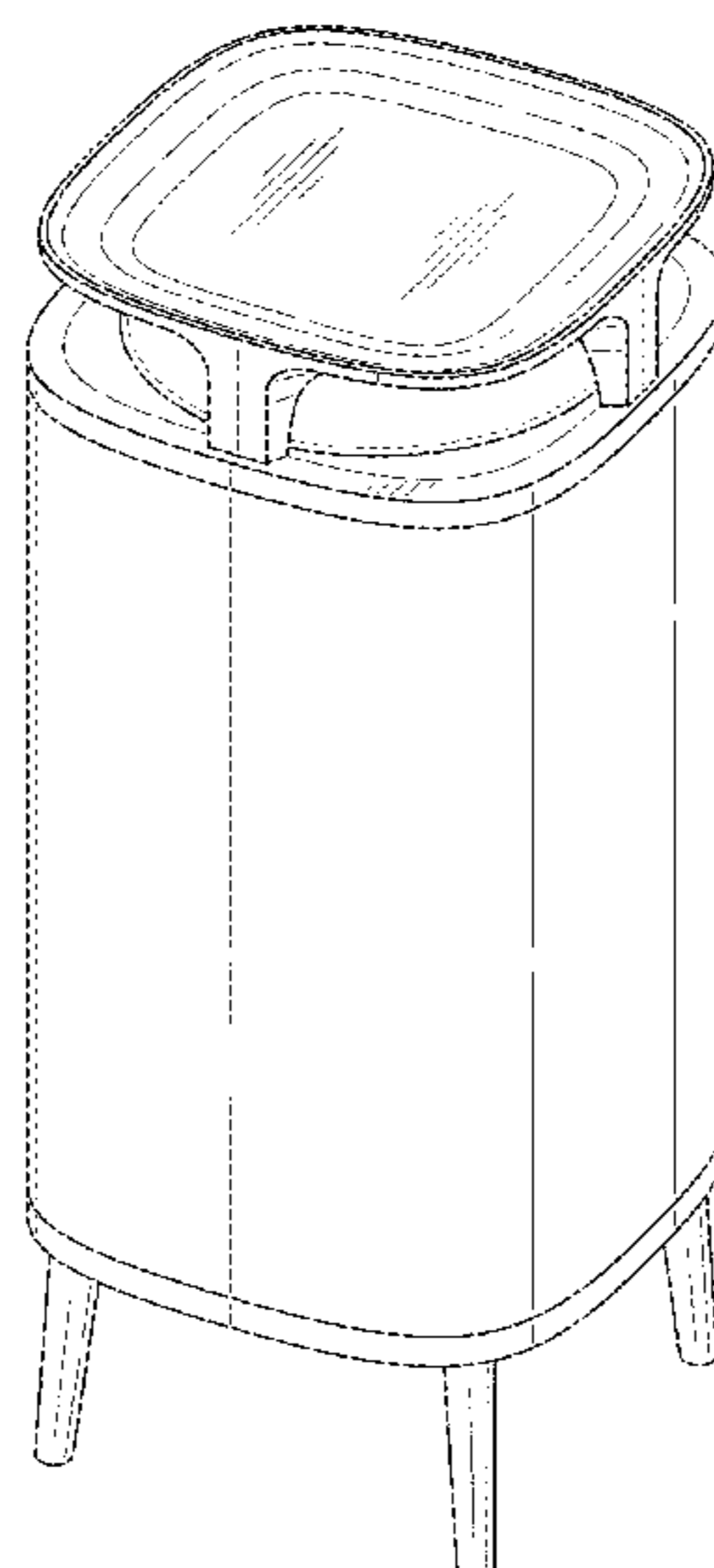
U.S. PATENT DOCUMENTS

DESCRIPTION

886,765 A 5/1908 Chance
D83,092 S * 1/1931 Chadwick et al. D23/342
4,526,592 A 7/1985 Armbruster
4,737,173 A 4/1988 Kudirka et al.
D423,814 S * 5/2000 Belka D6/663
D615,556 S 5/2010 Yeo et al.
D629,827 S 12/2010 Morenstein et al.
D639,413 S * 6/2011 Wu D23/364

FIG. 1 is a perspective view of a first embodiment of our
new design for an air purifier;
FIG. 2 is a front elevation view thereof;
FIG. 3 is a rear elevation view thereof;
FIG. 4 is a left side elevation view thereof;
FIG. 5 is a right side elevation view thereof;
FIG. 6 is a top plan view thereof; and,
FIG. 7 is a bottom plan view thereof.
The broken lines shown in the figures depict portions of the
air purifier that form no part of the claimed design.

1 Claim, 6 Drawing Sheets



(56)

References Cited

U.S. PATENT DOCUMENTS

D714,923 S * 10/2014 Engelhard D23/364
 D716,427 S * 10/2014 Lim D23/364
 D721,061 S 1/2015 Burlingame et al.
 D723,480 S 3/2015 Lee et al.
 D746,795 S 1/2016 Burlingame et al.
 D753,628 S 4/2016 McManigal
 D758,345 S 6/2016 Fujioka
 D783,794 S * 4/2017 Shen D23/364
 D791,297 S * 7/2017 Ljungstrom D23/364
 9,919,252 B2 3/2018 Wennerstrom et al.
 D829,687 S 10/2018 Burlingame et al.
 D835,249 S * 12/2018 Echeverri D23/365
 D835,765 S 12/2018 Chen
 D848,399 S 5/2019 Burlingame et al.
 D852,344 S 6/2019 Hua
 D864,367 S * 10/2019 Chen D23/356
 D868,726 S 12/2019 Kim et al.
 D869,626 S * 12/2019 Reisenberger D23/364
 D882,055 S * 4/2020 Ediger D23/356
 D897,315 S 9/2020 Hong
 D906,279 S 12/2020 Nam et al.
 D912,796 S 3/2021 Huang et al.
 D915,575 S 4/2021 Chen
 D920,278 S 5/2021 Wilberding et al.
 D921,869 S 6/2021 Han
 D924,385 S * 7/2021 Liu F24F 13/20
 D925,024 S * 7/2021 Huang D23/356
 D931,253 S 9/2021 Wilberding et al.
 D931,731 S 9/2021 Mayer
 D933,179 S 10/2021 Fu
 2005/0160907 A1 7/2005 Zhang
 2008/0000205 A1 1/2008 Bohlen
 2009/0038480 A1 2/2009 Garman et al.

2011/0274600 A1 11/2011 Steffens
 2014/0331622 A1 11/2014 Gruenbacher et al.
 2018/0154296 A1 6/2018 Swan et al.
 2020/0147257 A1* 5/2020 Chiu A61L 9/14
 2020/0306766 A1* 10/2020 He B03C 3/49
 2021/0190342 A1 6/2021 Zhan

FOREIGN PATENT DOCUMENTS

CN	106051938	10/2016
CN	107504589	12/2017
CN	206919316	1/2018
CN	108626809	10/2018
CN	108652203	10/2018
CN	304934965	12/2018
CN	304987501	* 1/2019
CN	305448344	* 11/2019
EP	0646416	4/1995
EP	1433514	6/2004
EP	1433515	12/2009
JP	D1690687	7/2021
KR	3011402740001	* 12/2021
WO	WO9519225	7/1995
WO	WO2005039659	5/2005
WO	WO2008045895	4/2008

OTHER PUBLICATIONS

RedyPure Air Purifiers, first available Sep. 2, 2020[online], [site visited Jan. 6, 2022], Available from internet, <https://www.amazon.com/dp/B08CKBQNB>; ; Sep. 2, 2020.
 ROVACS Air Purifiers, first available Oct. 22, 2020[online], [site visited Dec. 13, 2021], Available from internet, <https://www.amazon.com/ROVACS-Purifiers-Allergies-Available-California/dp/B08LN85H7Z>; ; Oct. 22, 2020.

* cited by examiner

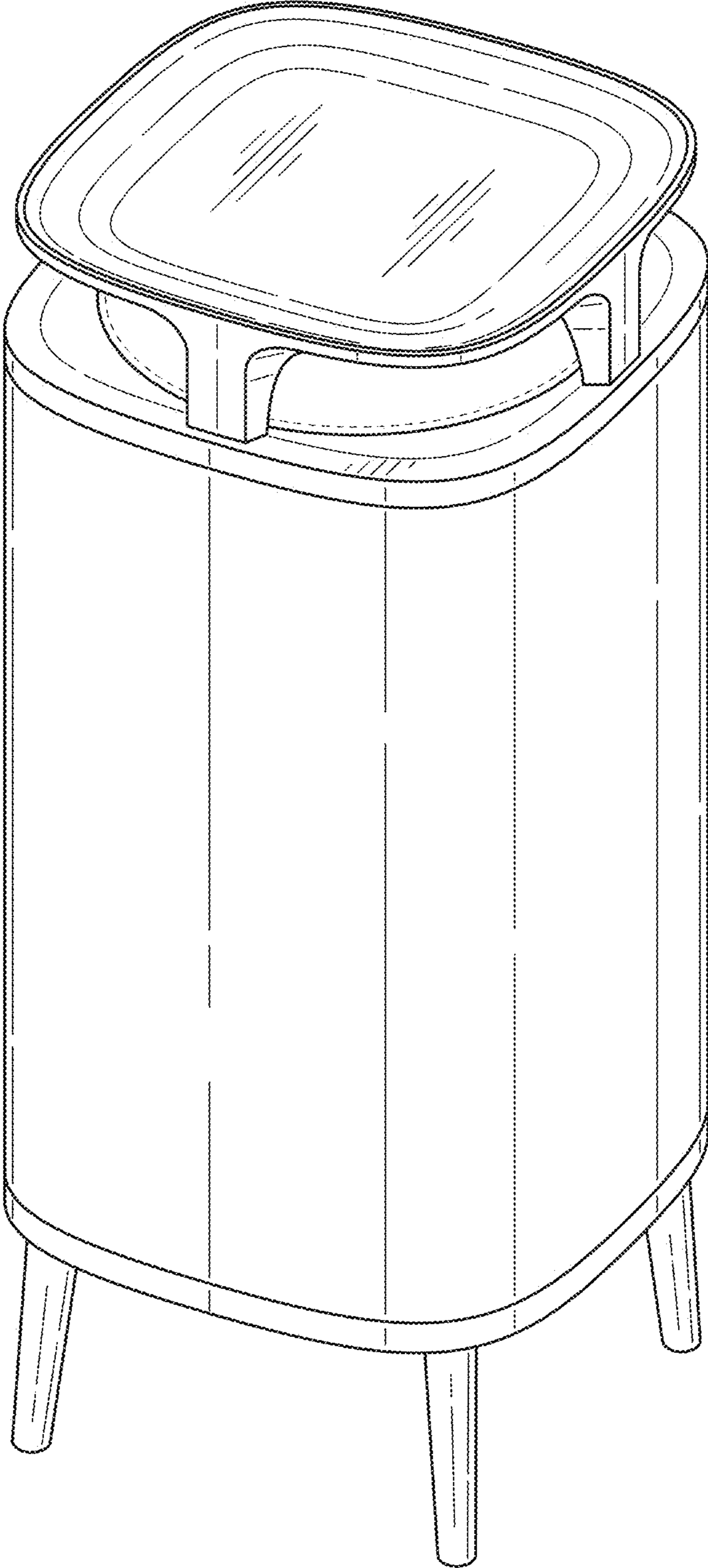


Fig. 1

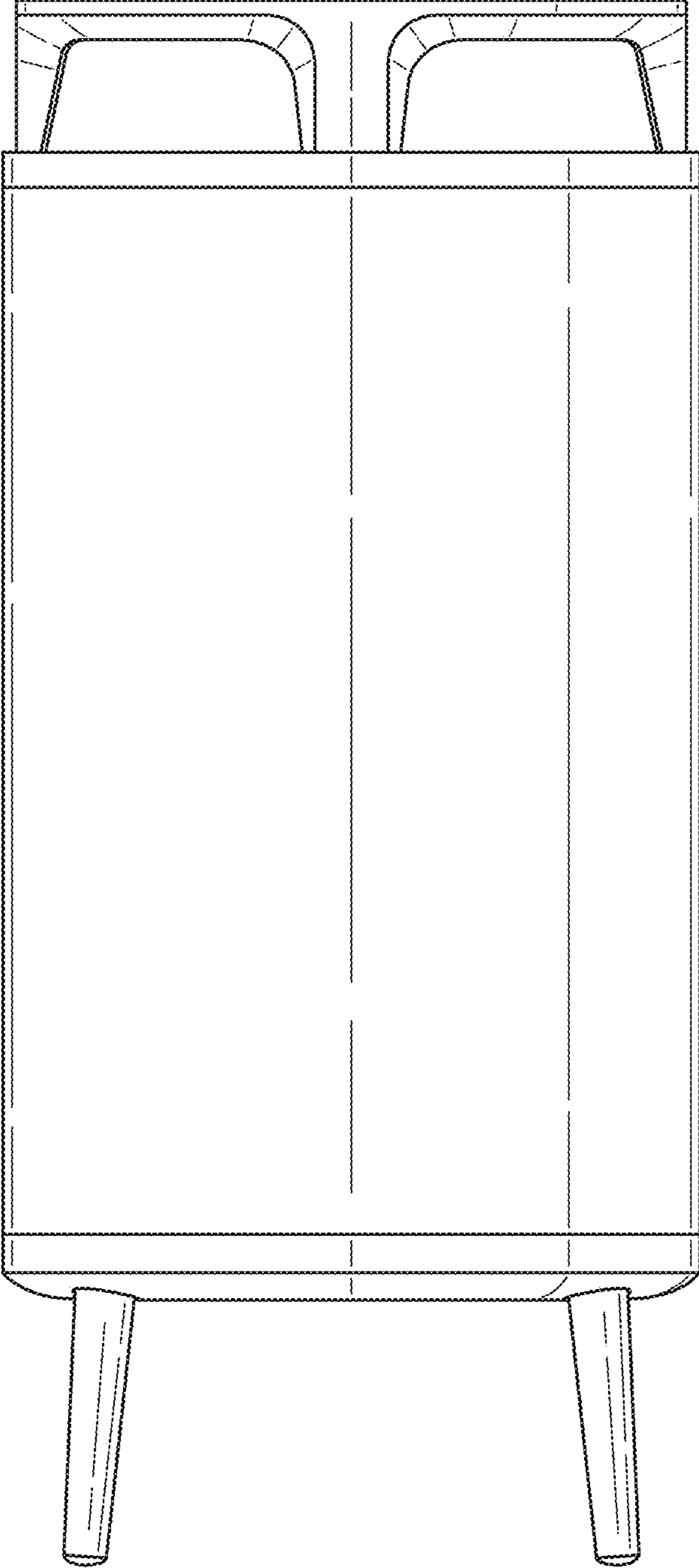


Fig. 2

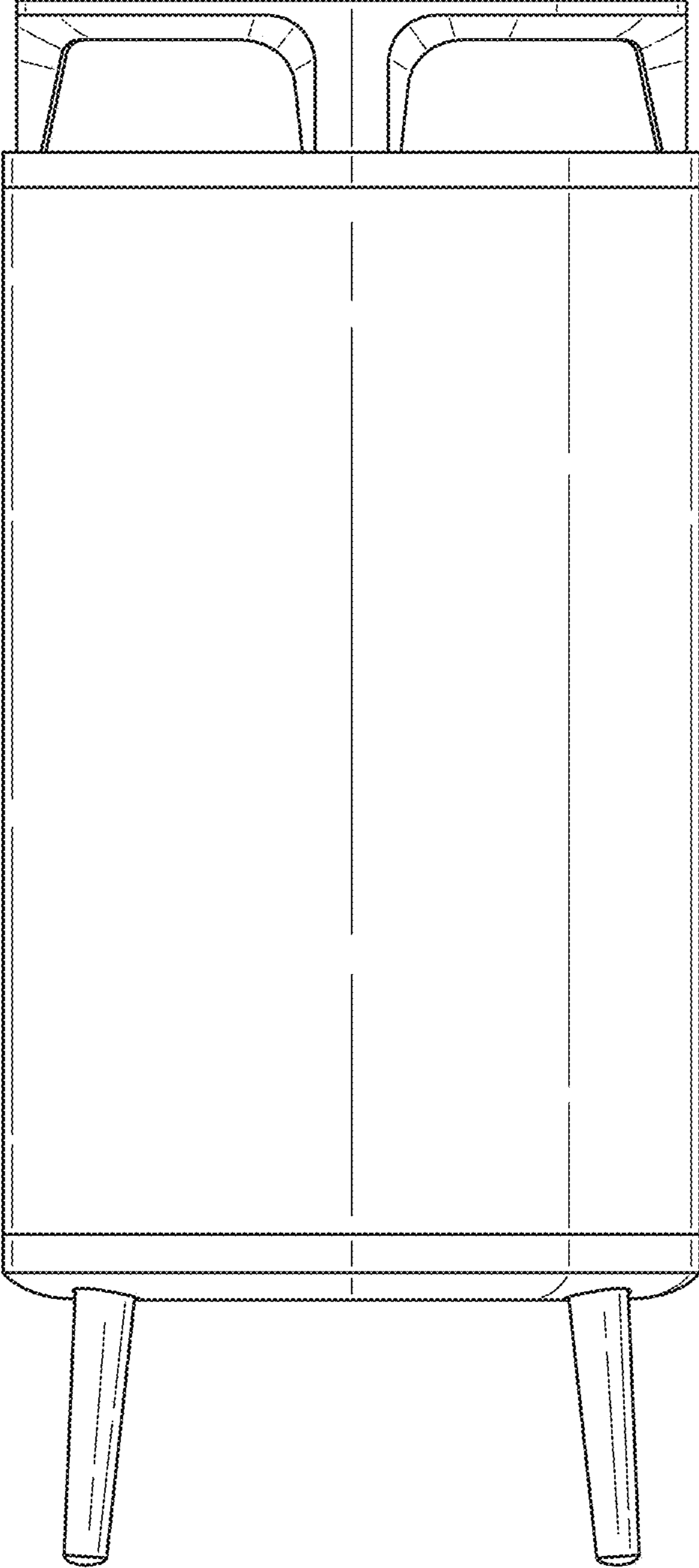


Fig. 3

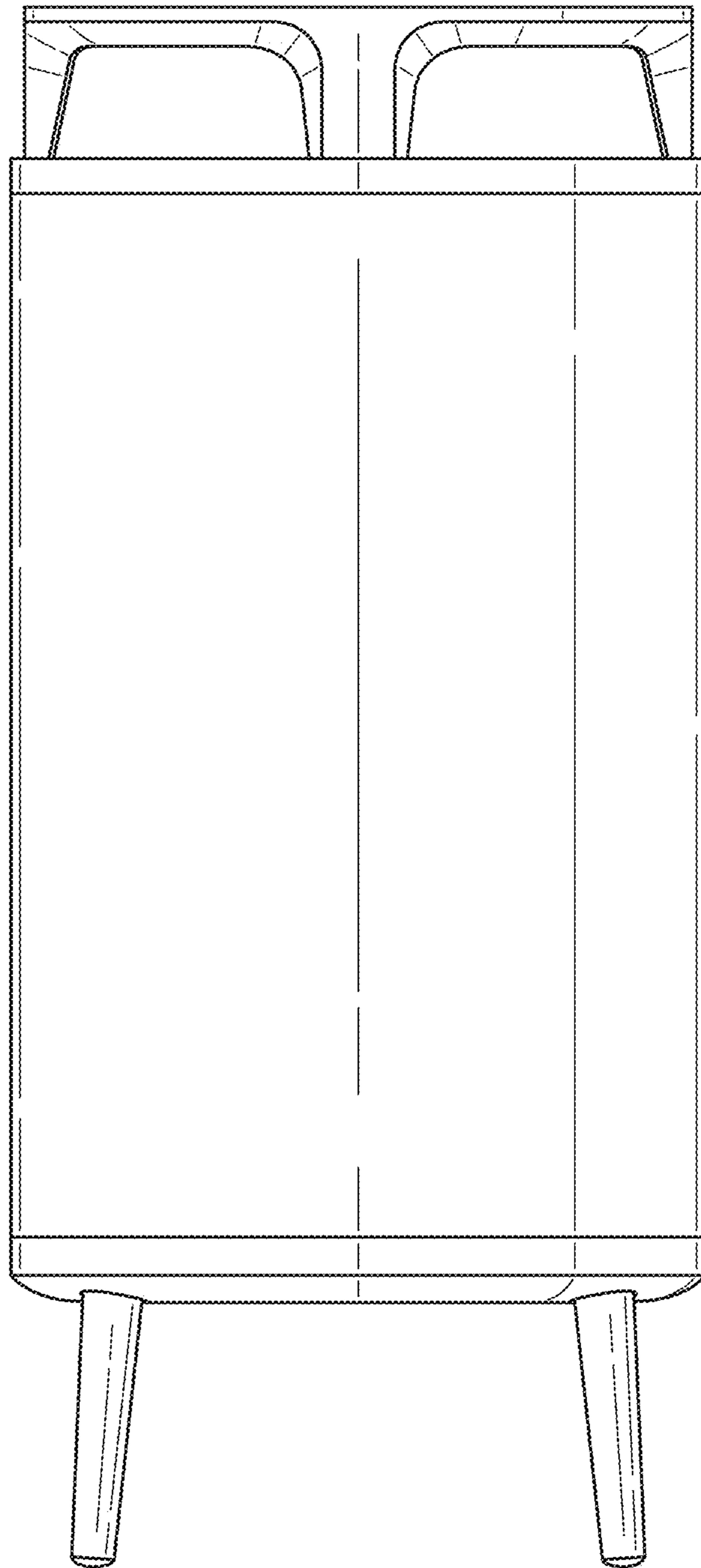


Fig. 4

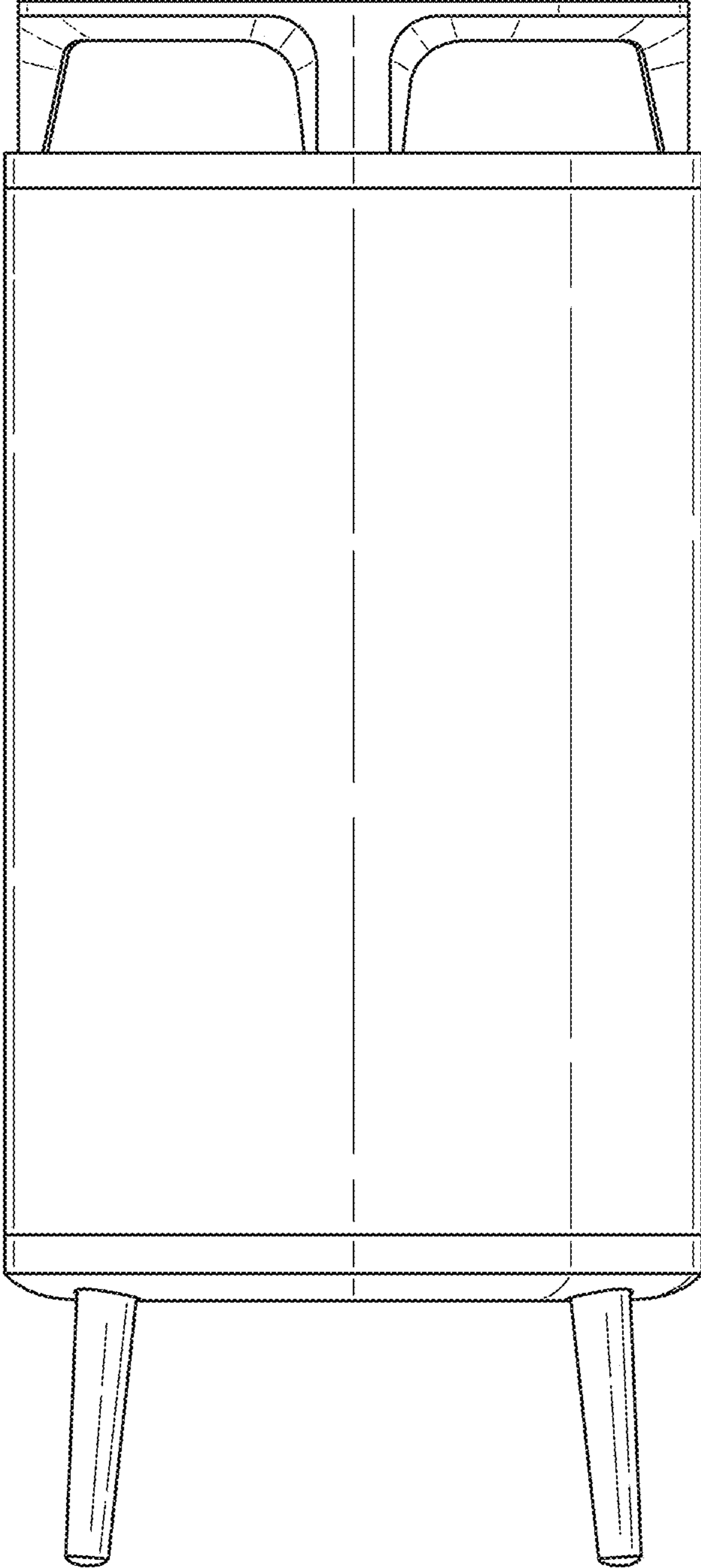


Fig. 5

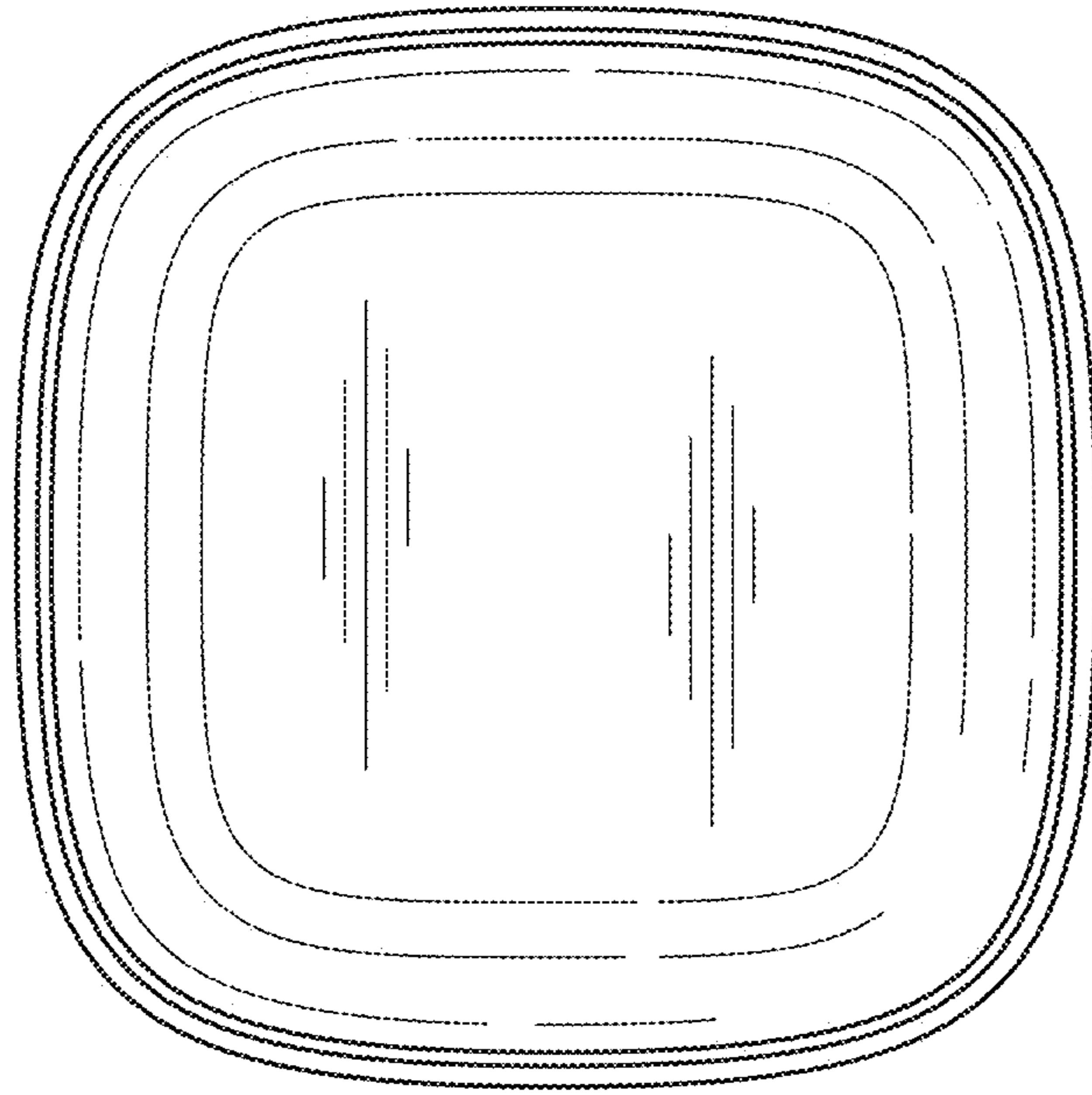


Fig. 6

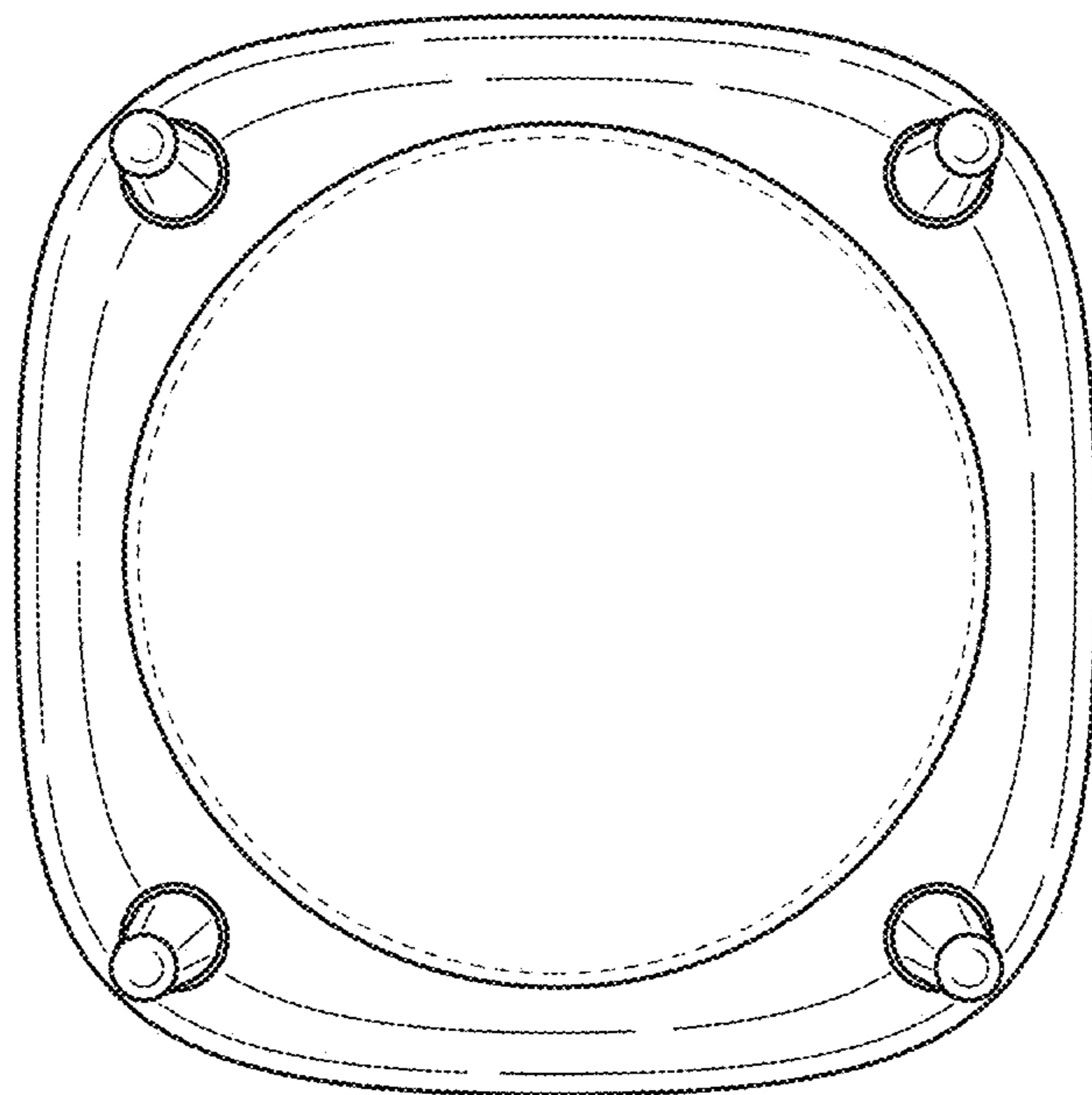


Fig. 7