



US00D973857S

(12) **United States Design Patent** (10) **Patent No.:** **US D973,857 S**
Du (45) **Date of Patent:** **** Dec. 27, 2022**

(54) **HUMIDIFIER**
(71) Applicant: **Super Equities Holdings LLC**,
Monsey, NY (US)
(72) Inventor: **Hill Du**, Zhongshan (CN)
(73) Assignee: **SUPER EQUITIES HOLDINGS**
LLC, Monsey, NY (US)
(**) Term: **15 Years**
(21) Appl. No.: **29/813,458**
(22) Filed: **Oct. 28, 2021**

D309,009 S 7/1990 Herritz
D309,656 S 7/1990 Lee
D517,181 S 3/2006 Kang
D533,650 S 12/2006 Ohta
D535,372 S 1/2007 Kaizuka
D801,503 S 10/2017 Reed
D811,571 S * 2/2018 Hu D23/356
D827,796 S * 9/2018 Torres Martin D23/332
D837,960 S 1/2019 Liang
D849,219 S * 5/2019 Liang D23/356
D857,185 S * 8/2019 Hu D23/356
D870,872 S 12/2019 Takano et al.
D870,874 S * 12/2019 Hu D23/366

(Continued)

FOREIGN PATENT DOCUMENTS

CN 2916470 Y 6/2007
CN 200955829 Y 10/2007

(Continued)

Primary Examiner — David G Muller

(74) *Attorney, Agent, or Firm* — Tarter Krinsky & Drogin
LLP

Related U.S. Application Data

(63) Continuation of application No. 29/799,216, filed on
Jul. 13, 2021, now Pat. No. Des. 936,807, which is a
continuation of application No. 29/759,656, filed on
Nov. 24, 2020, now Pat. No. Des. 925,025.

(51) **LOC (13) Cl.** **23-04**

(52) **U.S. Cl.**
USPC **D23/356**

(58) **Field of Classification Search**
USPC D23/355-366, 352, 369, 332, 333, 335,
D23/336, 342, 351
CPC .. A61L 9/16; A61L 9/22; B01D 47/00; B01D
47/027; B01D 2221/02; B01D 2259/4508;
B03C 3/155; B03C 3/368; F24F 3/16;
F24F 13/20; F24F 13/28
See application file for complete search history.

(56) **References Cited**

U.S. PATENT DOCUMENTS

D294,292 S 2/1988 Akio
4,724,104 A 2/1988 Kim
D298,351 S 11/1988 Ihlenfeld et al.
4,810,854 A 3/1989 Jursich et al.
4,906,417 A 3/1990 Gentry

(57) **CLAIM**

The ornamental design for a humidifier, as shown and
described.

DESCRIPTION

FIG. 1 is a front perspective view of the humidifier showing
the present design.

FIG. 2 is a front view thereof.

FIG. 3 is a rear view thereof.

FIG. 4 is a right view thereof.

FIG. 5 is a left view thereof.

FIG. 6 is a top view thereof; and,

FIG. 7 is a bottom view thereof.

The portions of the design shown in broken lines being for
the purpose of illustrating environment only and form no
part of the claimed design.

1 Claim, 7 Drawing Sheets



(56)

References Cited

U.S. PATENT DOCUMENTS

D877,877 S * 3/2020 Klipshtein D23/366
D878,528 S * 3/2020 Fu D23/356
D888,924 S * 6/2020 Gobber D23/366
D891,595 S 7/2020 Ediger et al.
D893,008 S * 8/2020 Xu D23/356
D893,693 S 8/2020 Xiao
D895,092 S * 9/2020 Peng D23/356
D897,514 S 9/2020 Liu et al.
D897,515 S * 9/2020 Liu D23/356
D898,175 S 10/2020 Liu et al.
D903,079 S * 11/2020 Morton D23/366
D910,157 S * 2/2021 Yang D23/356
2020/0340694 A1 10/2020 Yang et al.

FOREIGN PATENT DOCUMENTS

CN 201289183 Y 8/2009
CN 102644993 A 8/2012
CN 203385130 U 1/2014

* cited by examiner

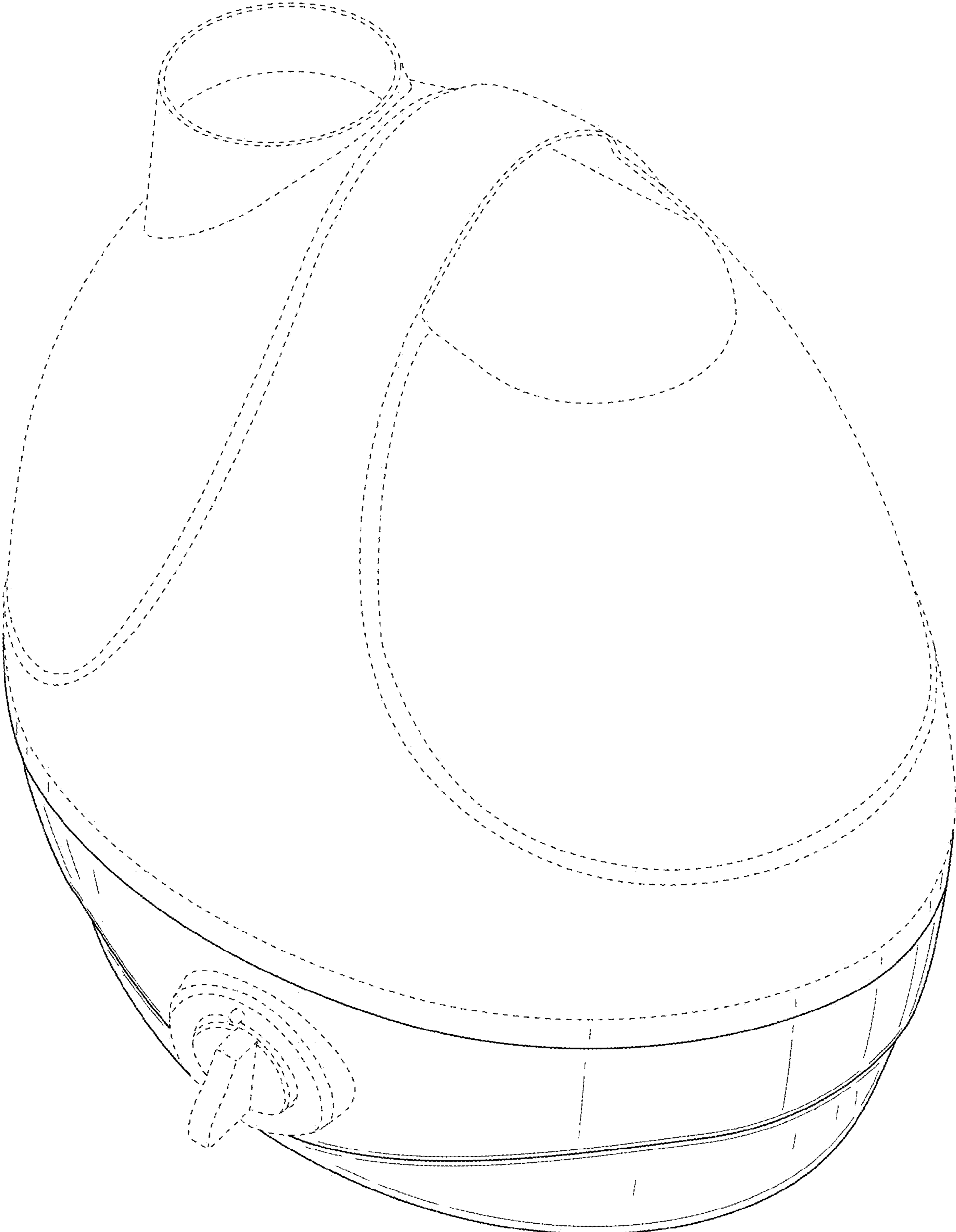


FIG. 1

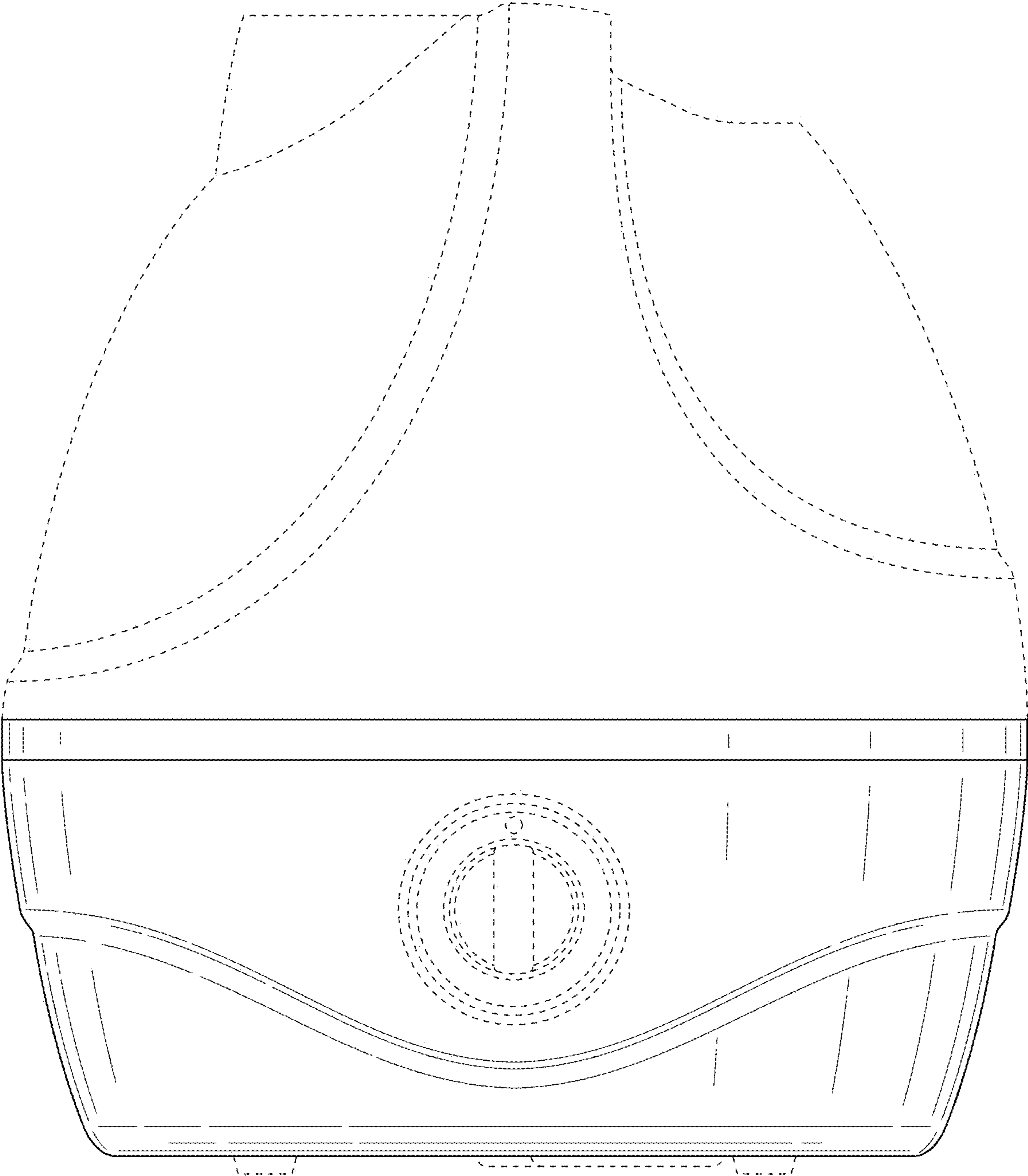


FIG. 2

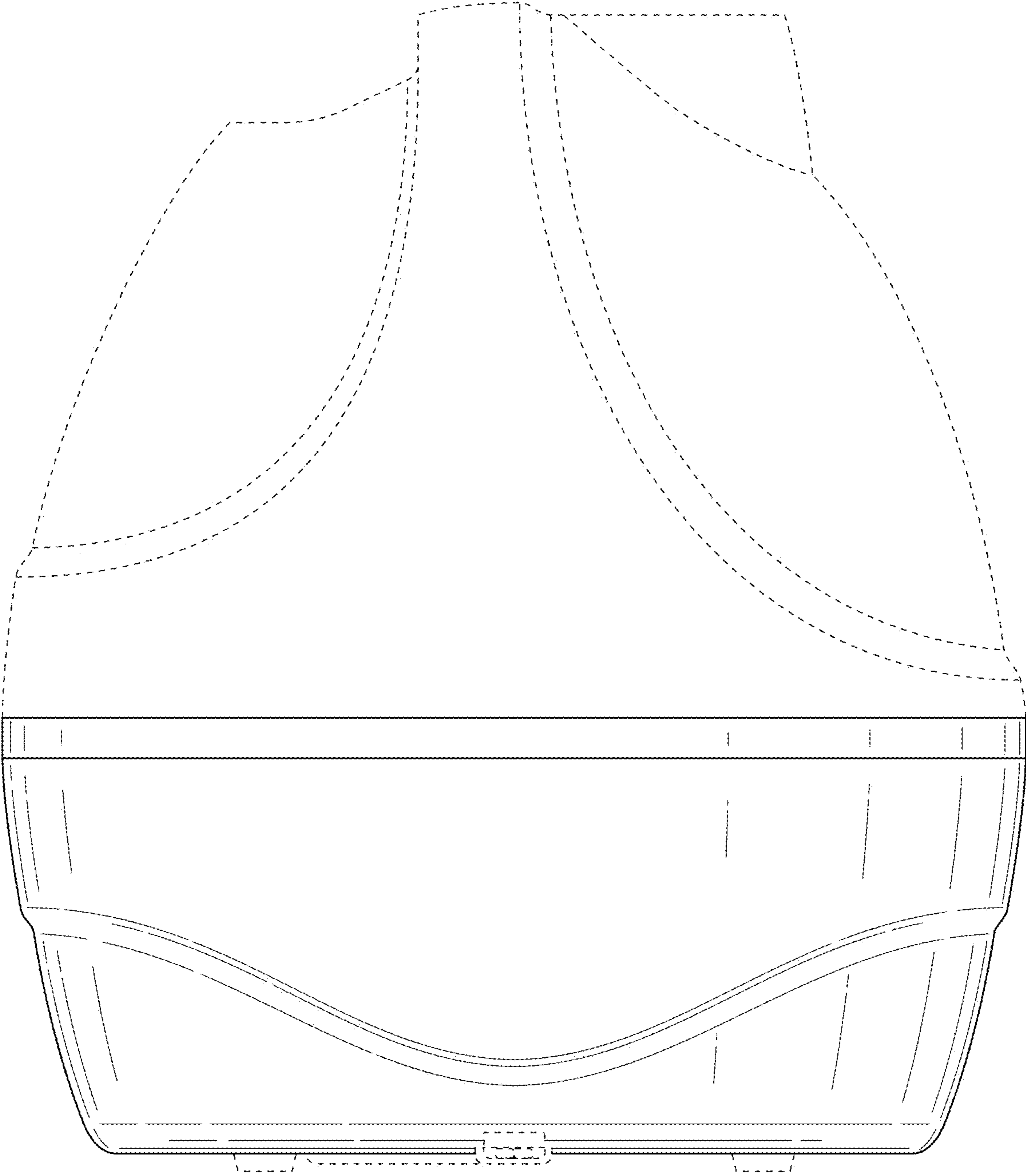


FIG. 3

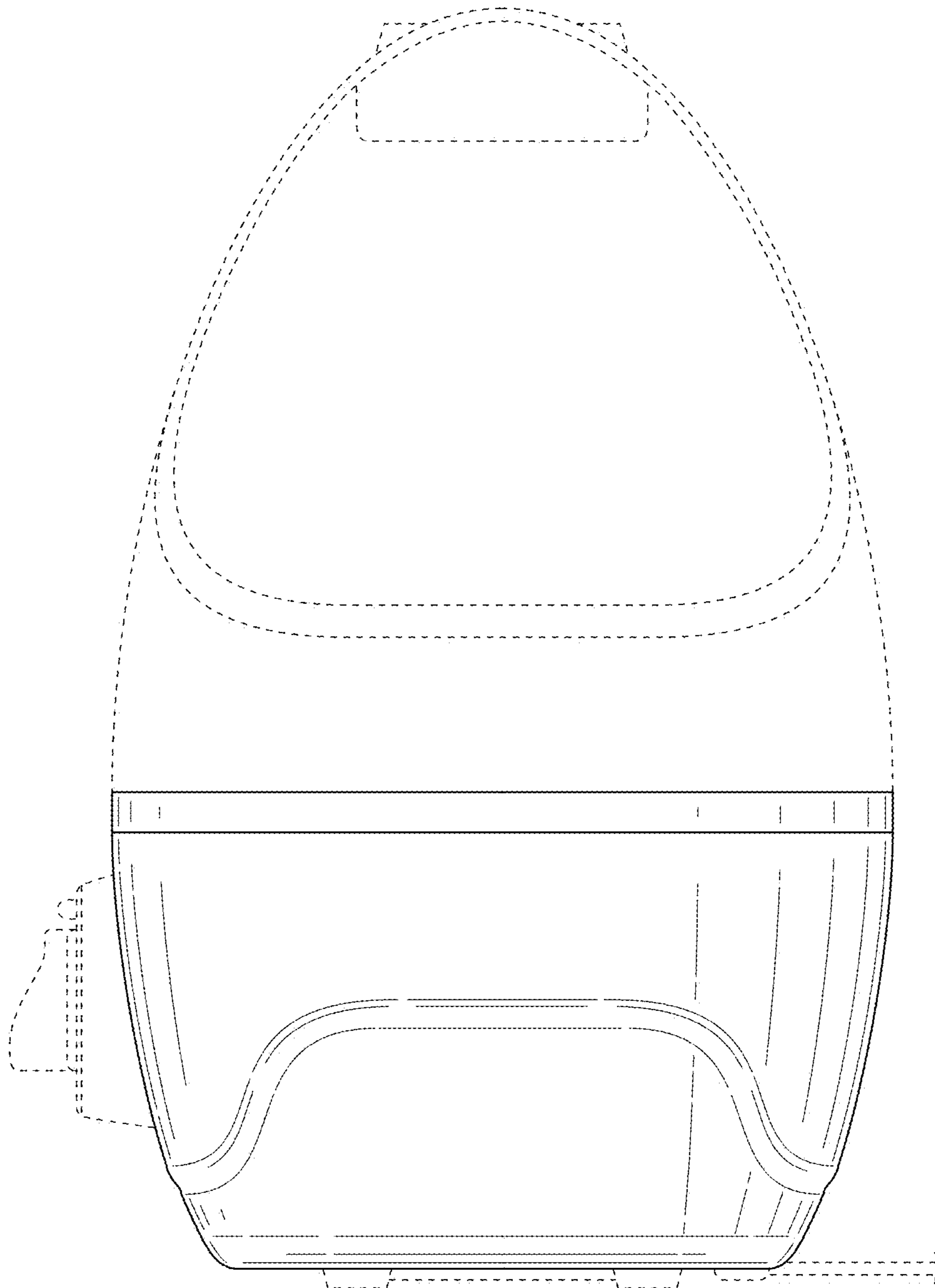


FIG. 4

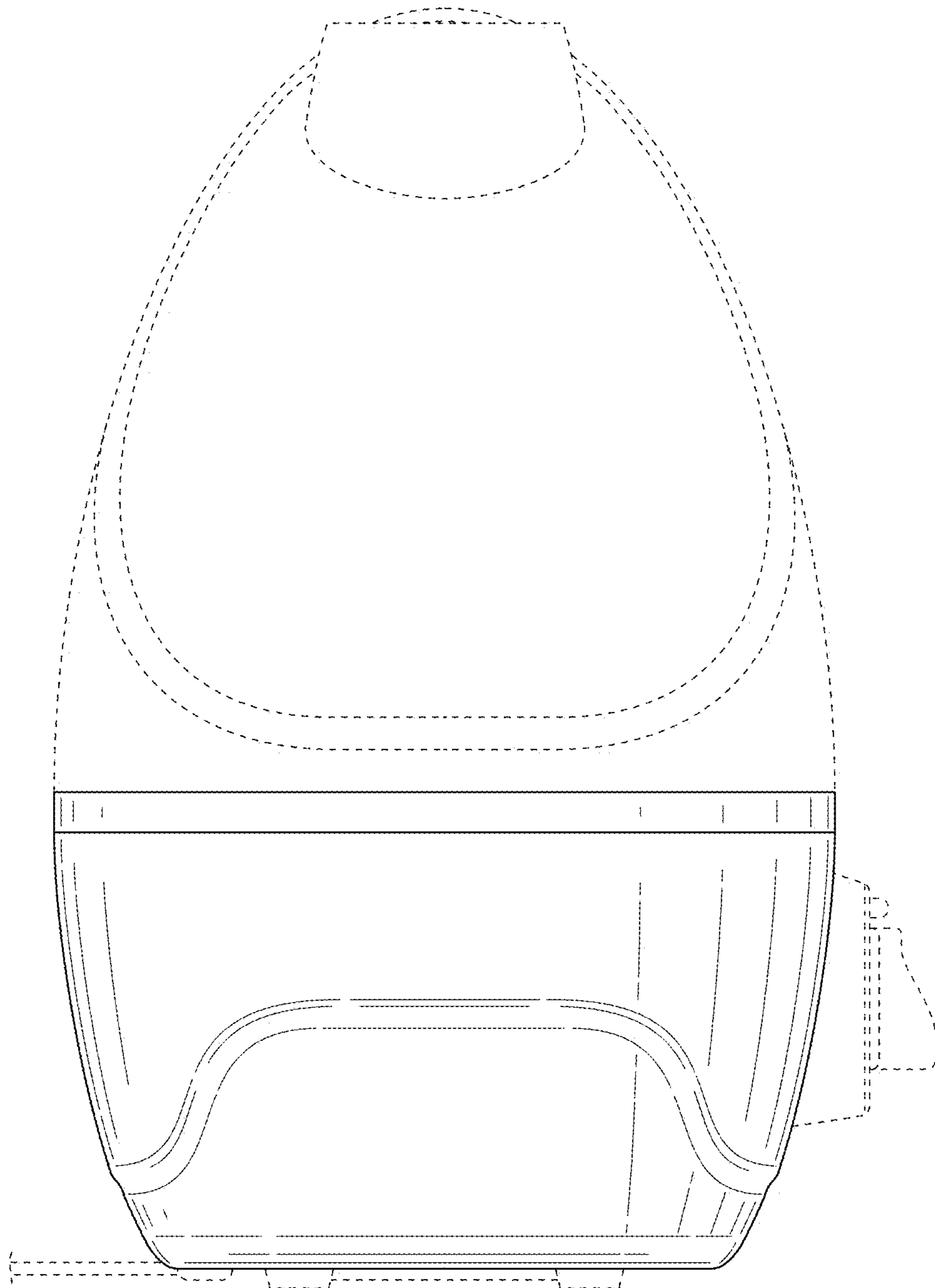


FIG. 5

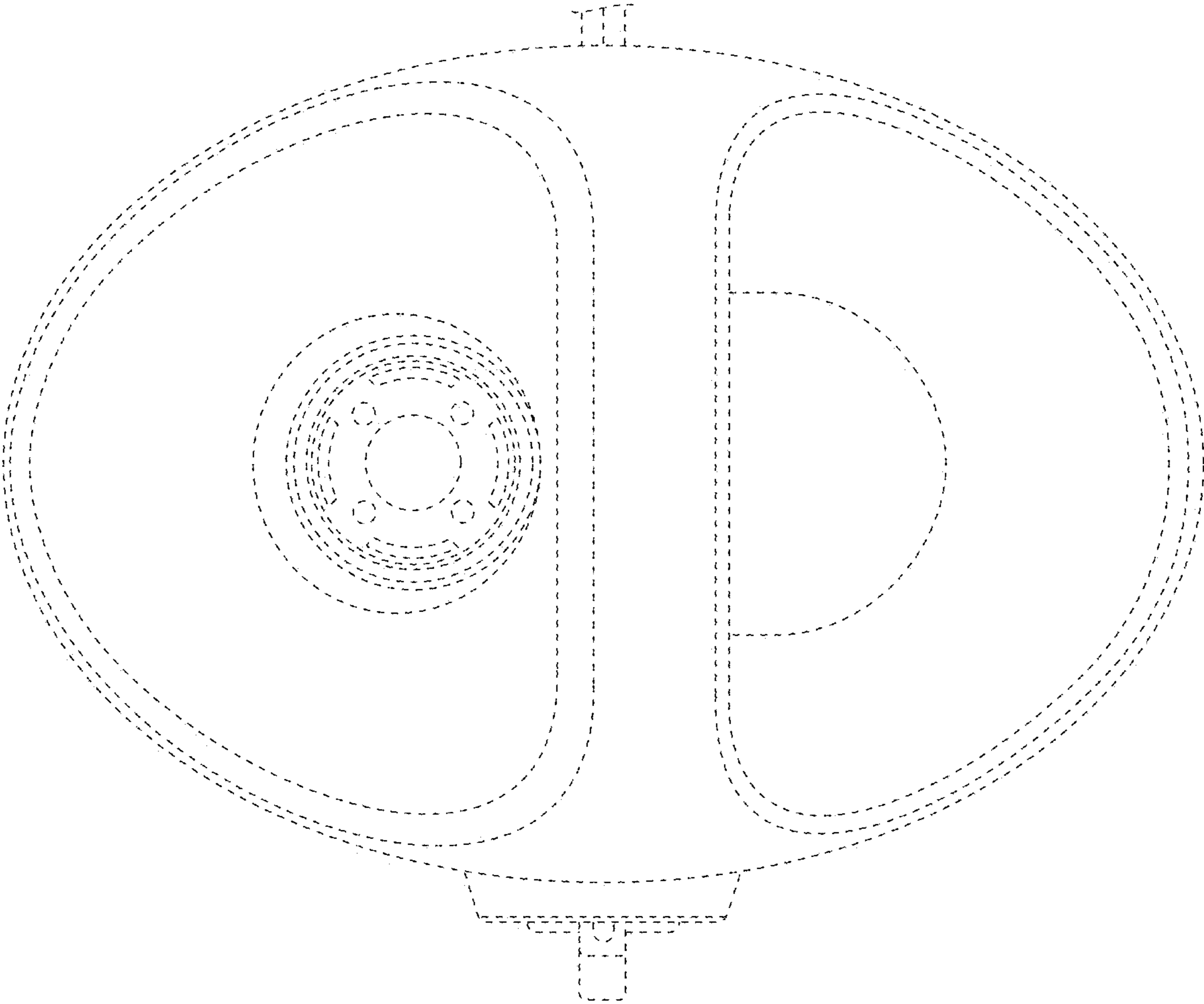


FIG. 6

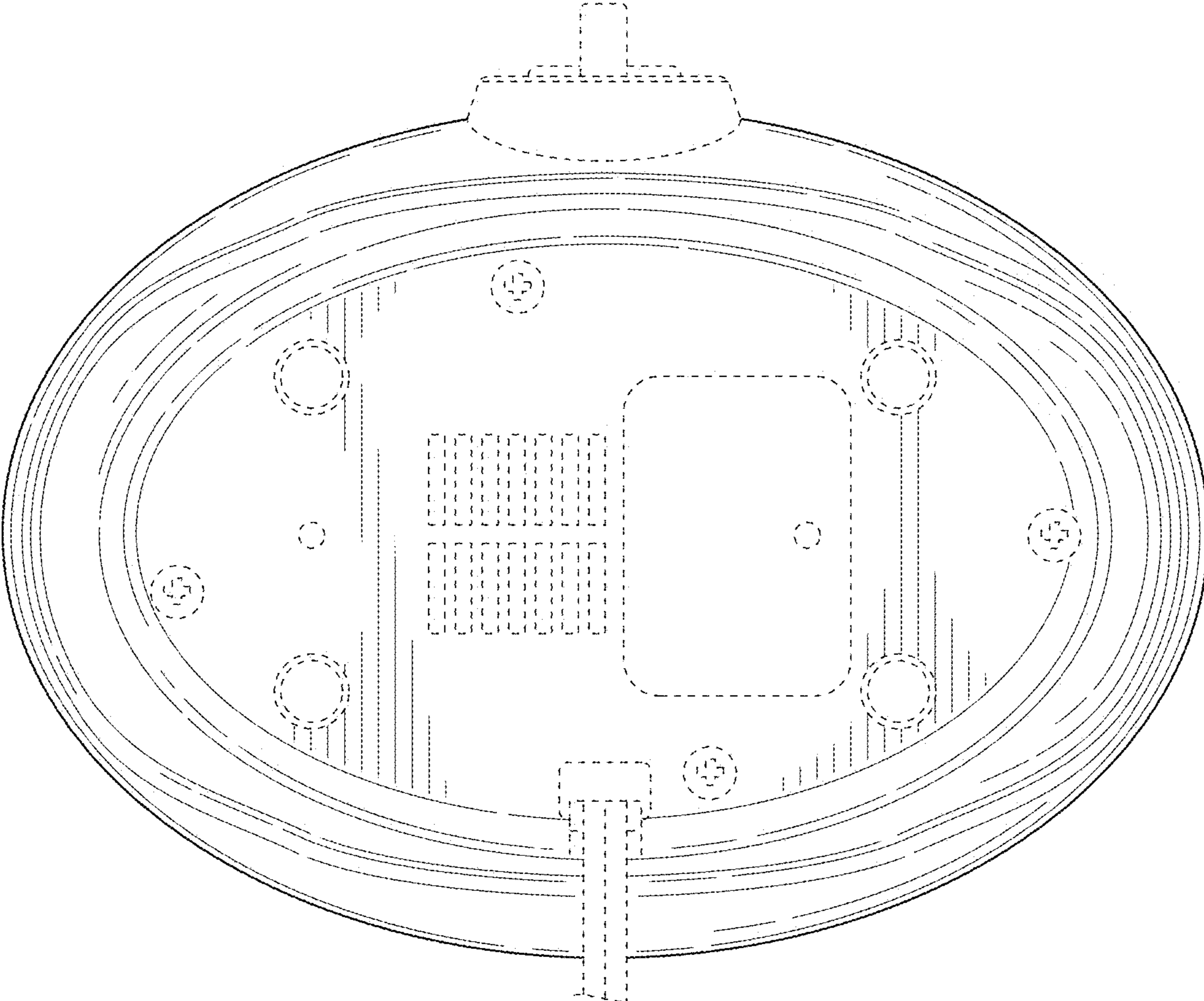


FIG. 7