



US00D973856S

(12) **United States Design Patent** (10) **Patent No.:** **US D973,856 S**
Hamasaki et al. (45) **Date of Patent:** **** Dec. 27, 2022**

(54) **AIR CONDITIONER**

(56) **References Cited**

(71) Applicant: **Mitsubishi Electric Corporation,**
Tokyo (JP)

U.S. PATENT DOCUMENTS

(72) Inventors: **Izuru Hamasaki,** Tokyo (JP); **Satoshi Arai,** Tokyo (JP); **Takanori Ikegaya,** Tokyo (JP)

D612,469 S *	3/2010	Nagahori	D23/351
D623,281 S *	9/2010	Ishida	D23/351
D667,095 S *	9/2012	Yamana	D23/351
D669,161 S *	10/2012	Yamana	D23/351
D669,566 S *	10/2012	Yamana	D23/351
D669,567 S *	10/2012	Yamana	D23/351
D670,799 S *	11/2012	Yamana	D23/351
D849,910 S *	5/2019	Arai	D23/351
D849,911 S *	5/2019	Arai	D23/351
D849,912 S *	5/2019	Arai	D23/351

(73) Assignee: **Mitsubishi Electric Corporation,**
Tokyo (JP)

(**) Term: **15 Years**

* cited by examiner

(21) Appl. No.: **29/791,263**

Primary Examiner — Gino Colan

(22) Filed: **Jan. 6, 2022**

Assistant Examiner — David OBrien

(74) *Attorney, Agent, or Firm* — Studebaker & Brackett PC

Related U.S. Application Data

(62) Division of application No. 29/733,040, filed on Apr. 29, 2020.

(51) **LOC (13) Cl.** **23-04**

(52) **U.S. Cl.**
USPC **D23/351**

(58) **Field of Classification Search**
USPC D23/333, 335, 351–367, 388; D13/111, D13/102; D15/7–9.3, 144, 144.2; D34/7
CPC . A01G 13/06; A24F 25/00; A61L 9/00; A61L 9/03; A61L 9/04; A61L 9/14; A61L 9/015; A61L 9/032; A61L 2209/14; B05B 7/1686; F24F 1/00; F24F 1/027; F24F 1/02; F24F 1/08; F24F 1/42; F24F 1/56; F24F 1/60; F24F 1/62; F24F 1/64; F24F 1/0007; F24F 3/12; F24F 3/14; F24F 3/16; F24F 3/048; F24F 13/32; F24F 2221/20

See application file for complete search history.

(57) **CLAIM**

The ornamental design for an air conditioner, as shown and described.

DESCRIPTION

FIG. 1. is a perspective view of the front, right, and bottom sides of an air conditioner showing our new design;
FIG. 2. is a front view thereof;
FIG. 3. is a rear view thereof;
FIG. 4. is a left side view thereof;
FIG. 5. is a right side view thereof,
FIG. 6. is a top plan view thereof; and,
FIG. 7. is a bottom plan view thereof.
The broken lines shown in the figures are for the purpose of illustrating portions of the air conditioner and form no part of the claimed design.

1 Claim, 7 Drawing Sheets

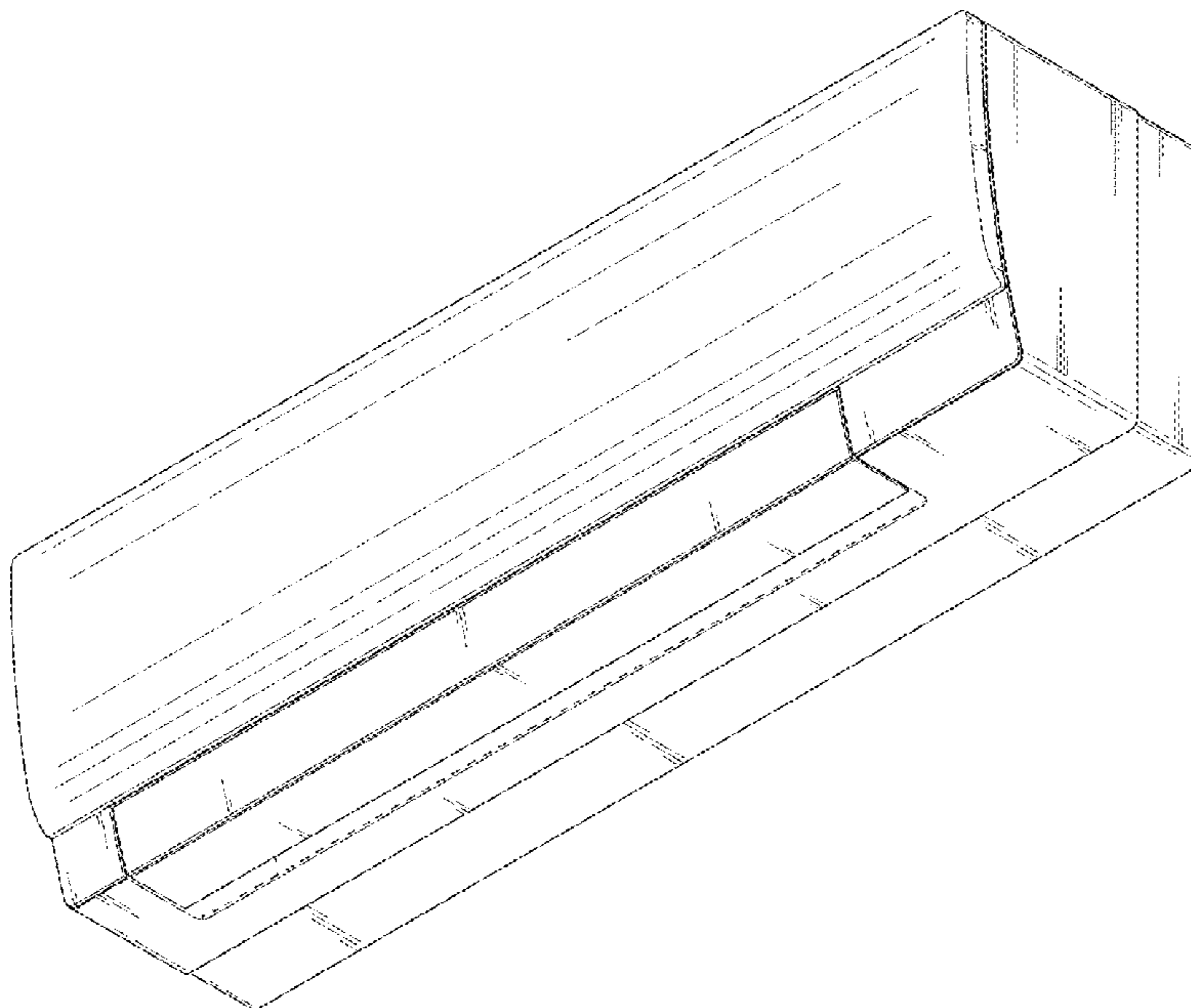


Fig.1

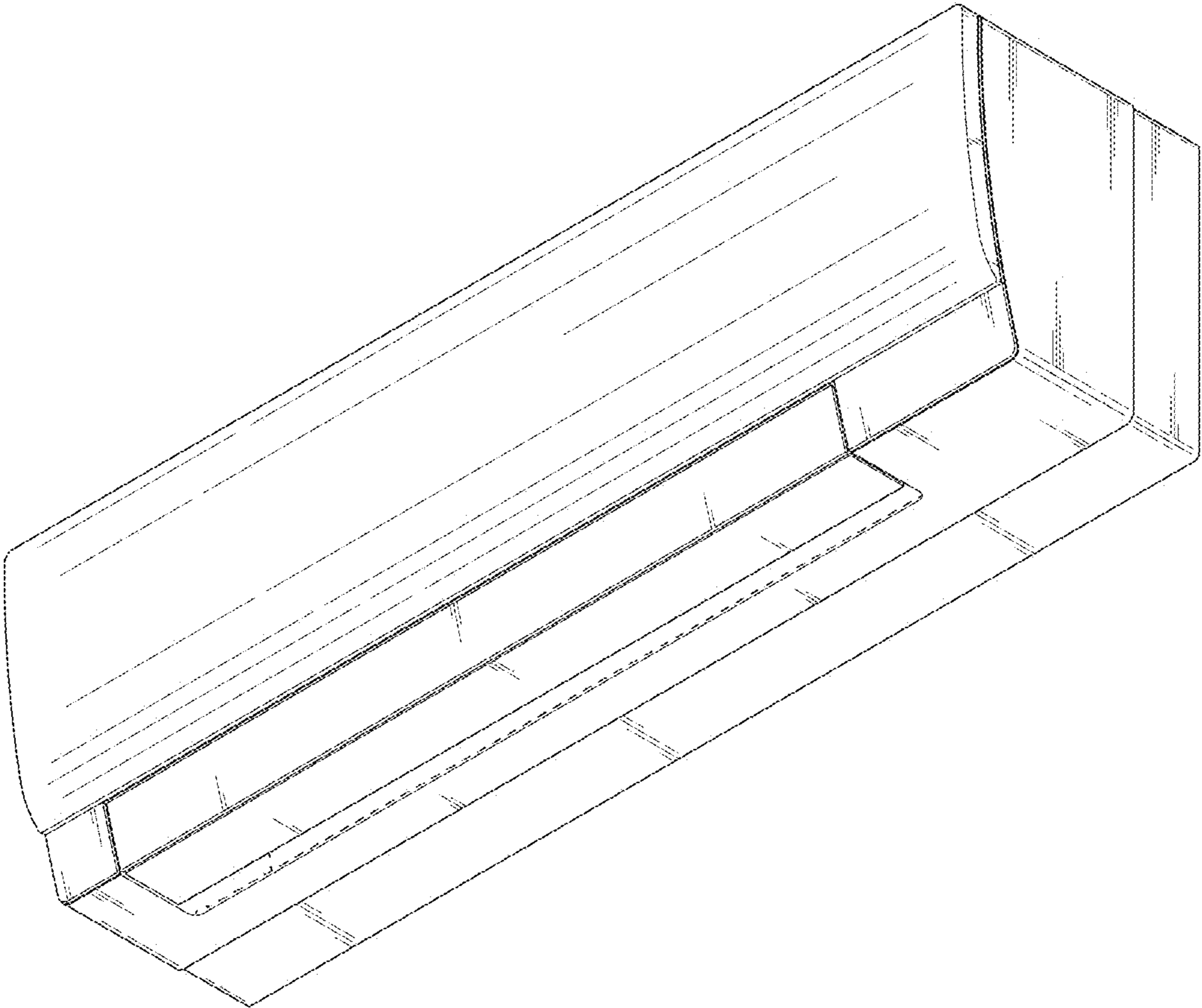


Fig.2

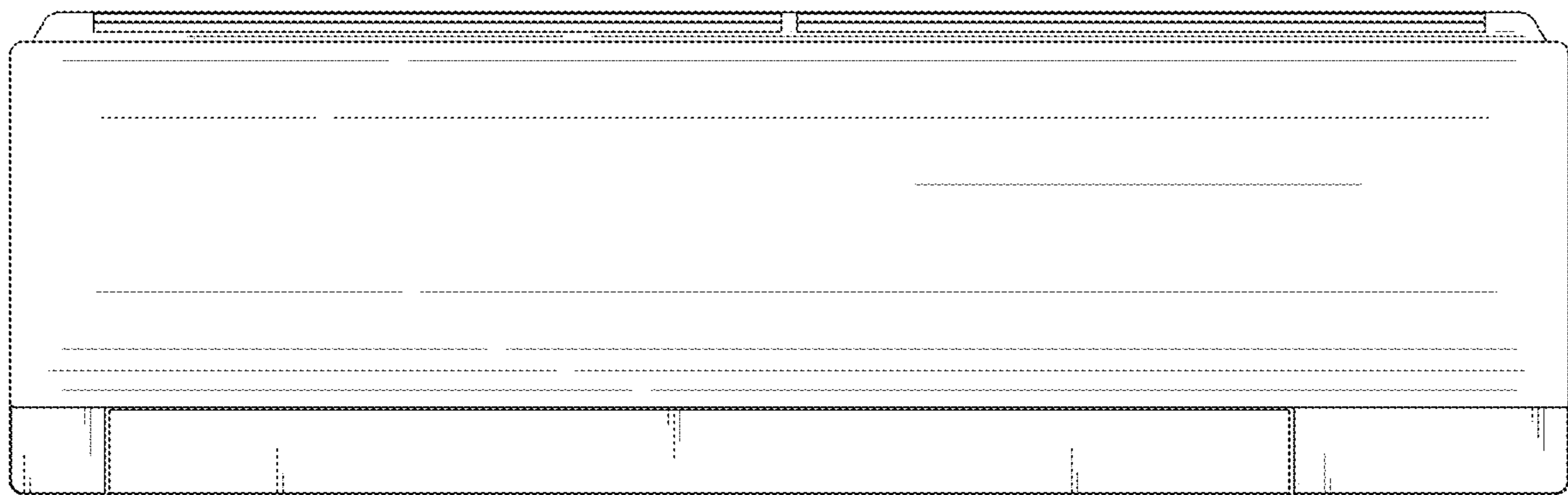


Fig.3

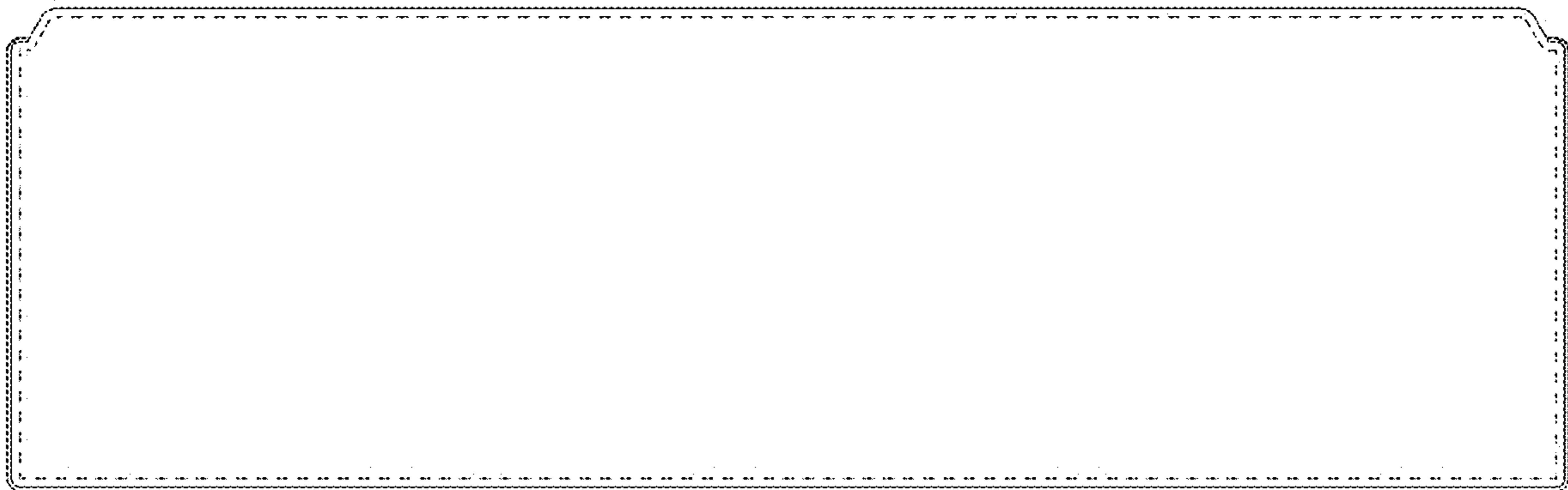


Fig.4

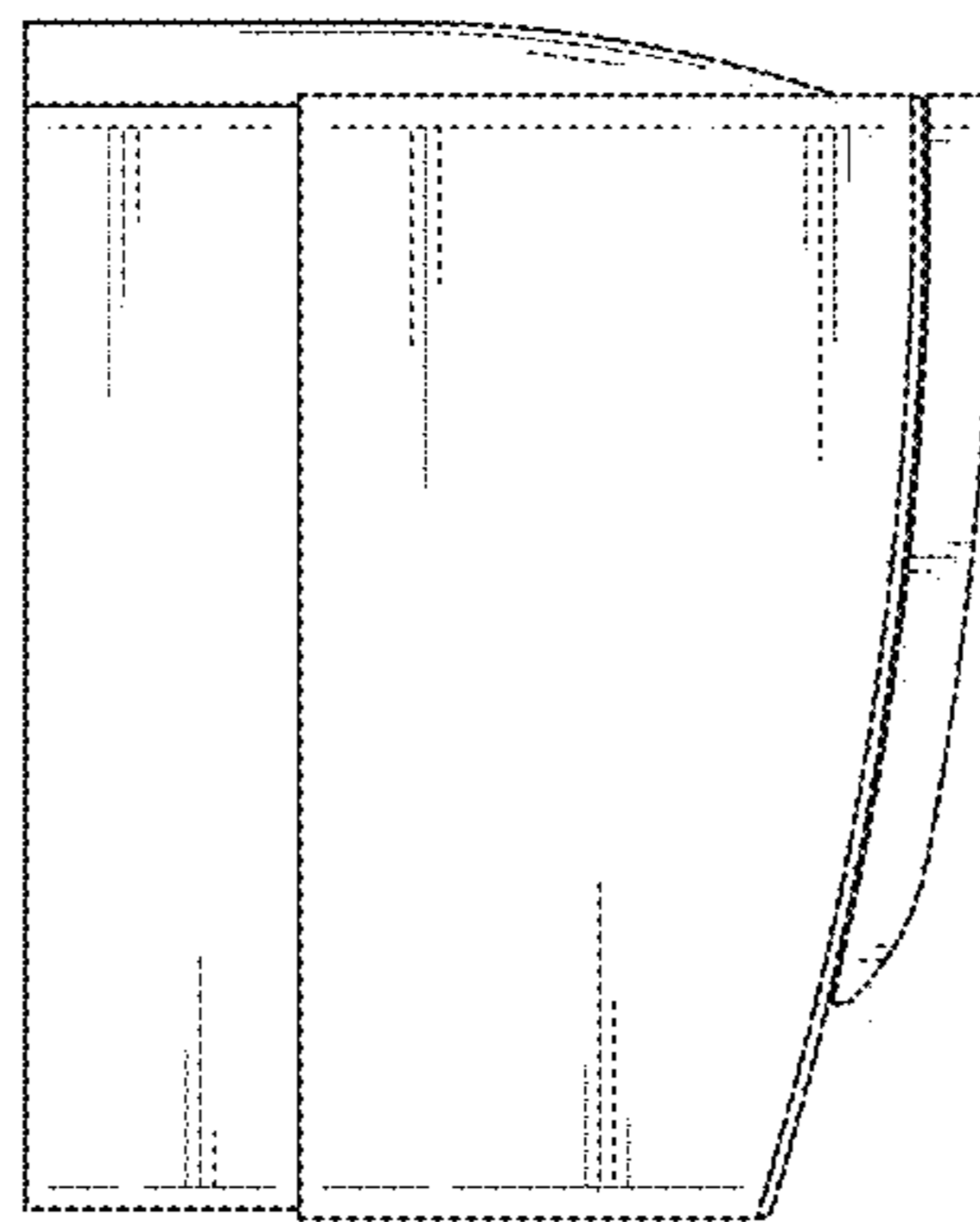


Fig.5

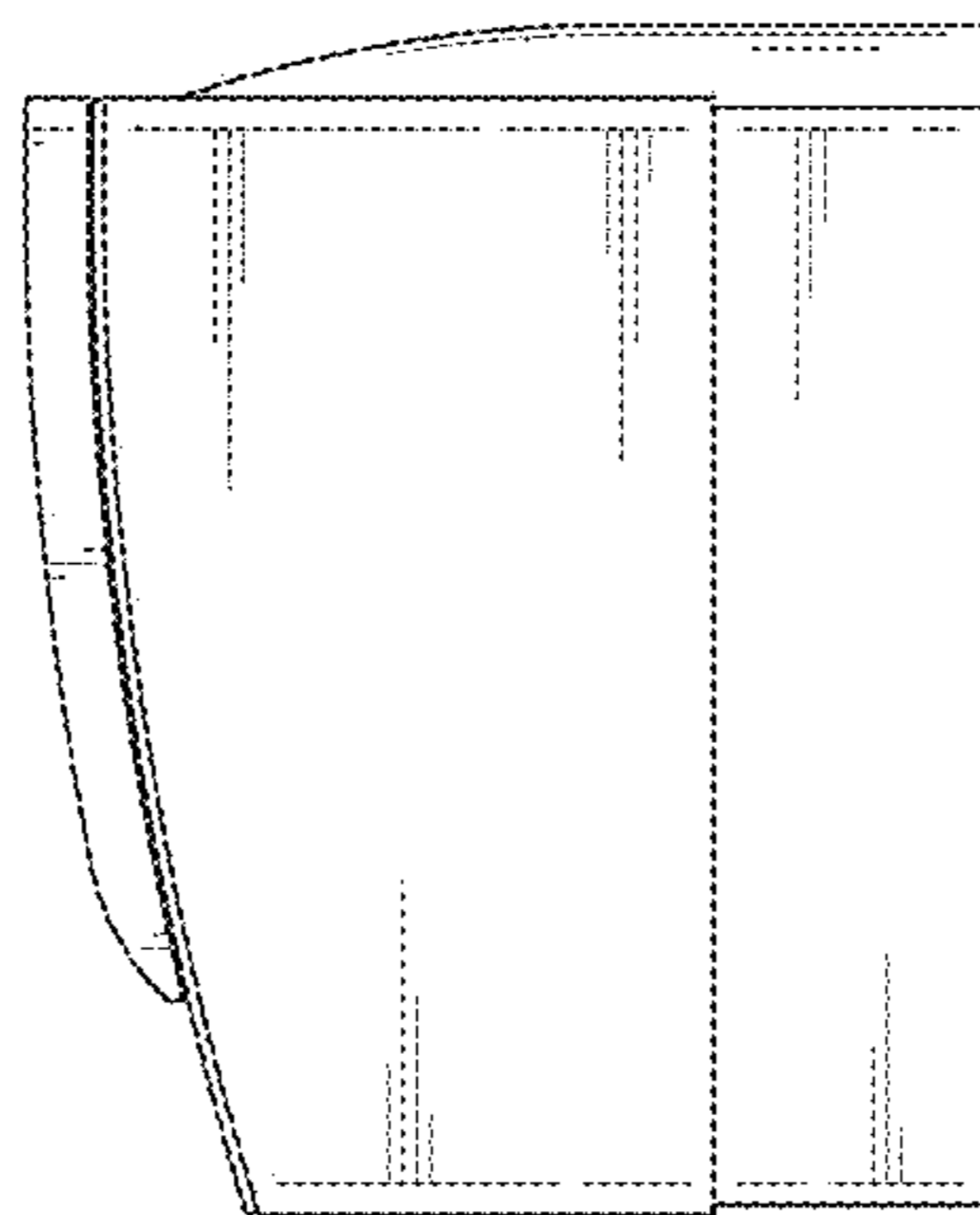


Fig.6

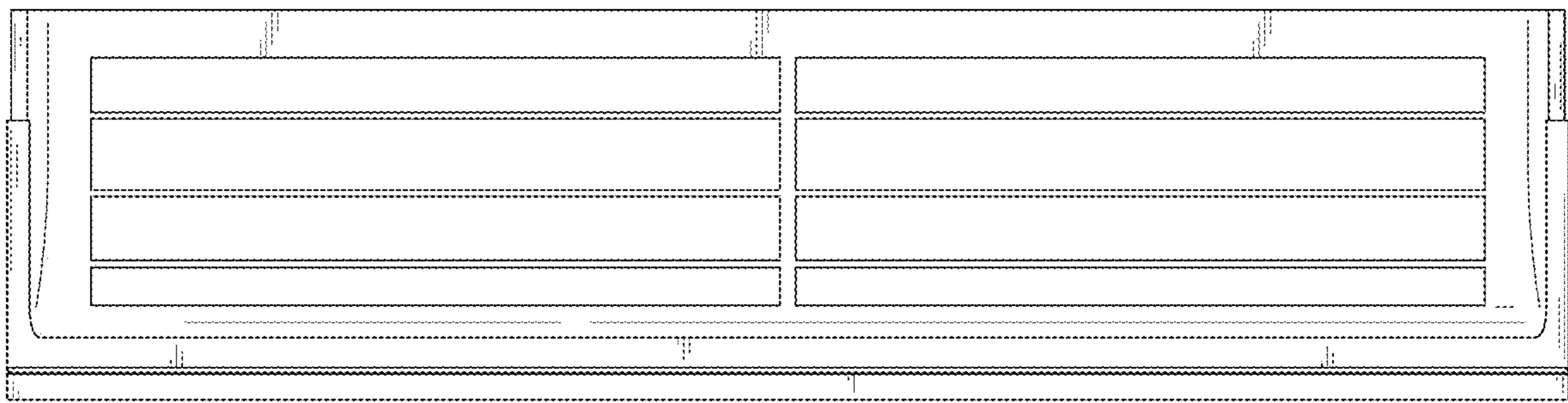


Fig.7

