



US00D973854S

(12) **United States Design Patent**
Kalugina

(10) **Patent No.:** **US D973,854 S**
(45) **Date of Patent:** **** Dec. 27, 2022**

- (54) **HOT STOVE FOR BLAST FURNACE**
- (71) Applicant: **ZAKRYTOYE AKCIONERNOYE OBSHESTVO "KALUGIN"**,
Ekaterinburg (RU)
- (72) Inventor: **Marina Kalugina**, Ekaterinburg (RU)
- (**) Term: **15 Years**
- (21) Appl. No.: **29/692,563**
- (22) Filed: **May 27, 2019**

Related U.S. Application Data

- (63) Continuation-in-part of application No. 35/501,389, filed on Feb. 12, 2016 (U.S. filing date under 35 U.S.C. 384), and having an international filing date of Feb. 12, 2016, now abandoned.

(51) **LOC (13) Cl.** **23-03**

(52) **U.S. Cl.**
USPC **D23/342**

(58) **Field of Classification Search**
USPC D23/314, 329, 341-344, 386, 394, 396,
D23/499; D25/1, 4, 14, 18, 19, 31, 33,
D25/38.1, 41.1, 199; D15/122, 144,
D15/144.1, 144.2; 432/76, 170, 173, 214,
432/217; 392/357; 266/139
CPC A21B 1/48; C21B 9/00; C21D 1/76; C21D
9/0037; F23B 3/283; F23B 15/12; F23G
7/068; F27B 9/30; F27B 9/2407; F27D
1/16; F27D 1/1621

See application file for complete search history.

(56) **References Cited**

U.S. PATENT DOCUMENTS

- 273,311 A * 3/1883 Reese C21B 9/00
432/216
- 925,827 A * 6/1909 Nelson C21B 9/00
432/218
- 945,360 A * 1/1910 Amsler C21B 9/00
432/218
- 970,941 A * 9/1910 Moore C21B 9/00
432/218
- 983,633 A * 2/1911 Mckee C21B 9/00
432/217

- 1,064,061 A * 6/1913 Dyblie F16K 1/305
137/454.5
- 1,079,764 A * 11/1913 Hohmann C21B 9/00
432/218
- 1,114,403 A * 10/1914 Smith C21B 9/00
165/9.3
- 1,316,086 A * 9/1919 Dovel C21B 9/00
432/40
- 1,387,528 A * 8/1921 Willcox C21B 9/00
432/216
- 1,428,071 A * 9/1922 Bernard F24H 3/002
392/377
- 1,578,492 A * 3/1926 Willcox C21B 9/00
52/192
- D103,106 S * 2/1937 Kilham C21B 9/00
D23/342

(Continued)

OTHER PUBLICATIONS

CISDIGroup.com; "CISDI Top Combustion Hot Stoves Technology Assessed as World Leading"; [online] 'http://www.cisdigroup.com/news4-1023.html'; dated Apr. 10, 2012; accessed Jan. 29, 2022; 1pg. (Year: 2012).*

Primary Examiner — Keli L Hill

(74) *Attorney, Agent, or Firm* — The Roy Gross Law Firm, LLC; Roy Gross

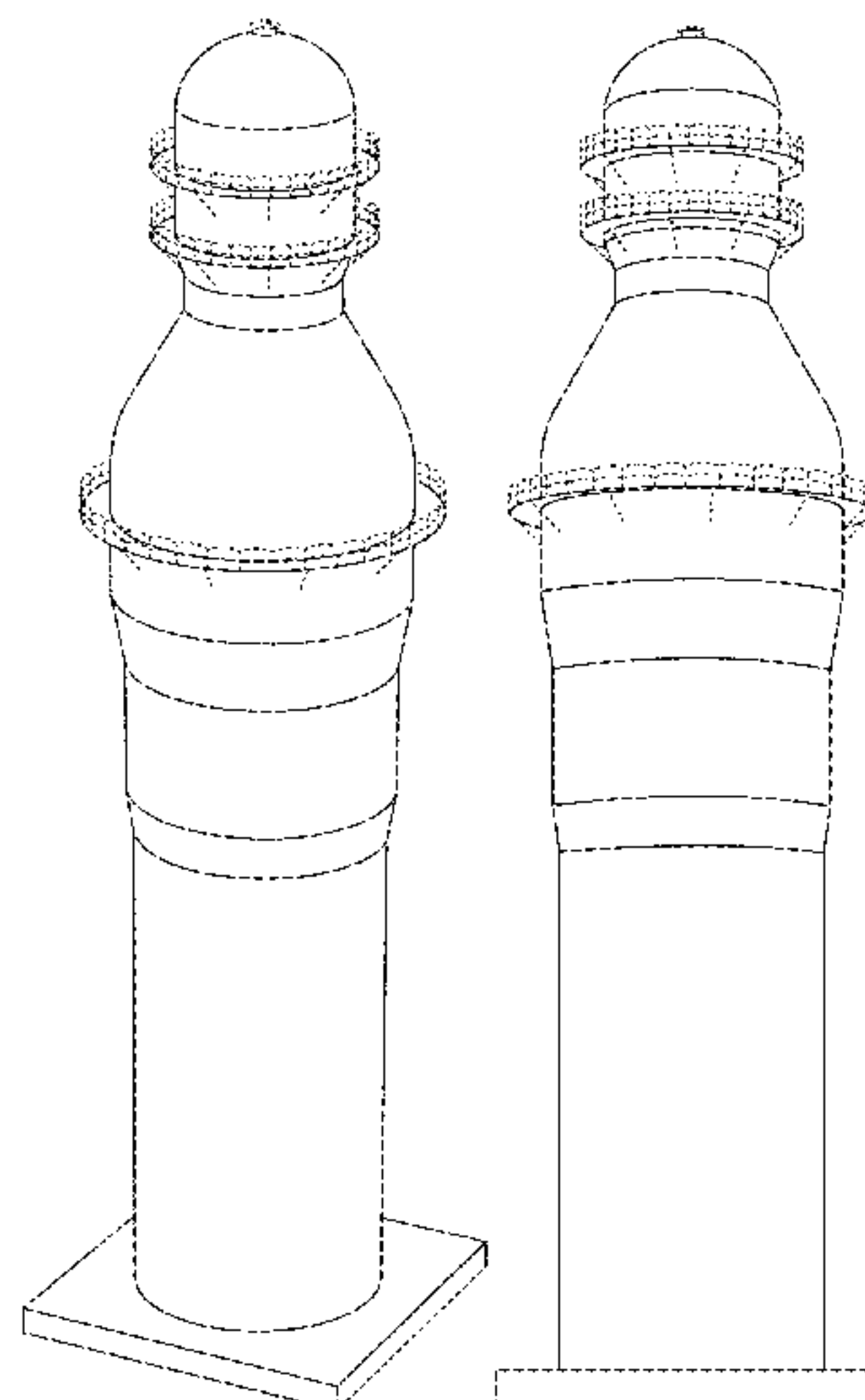
(57) **CLAIM**

The ornamental design for hot stove for blast furnace, as shown and described.

DESCRIPTION

FIG. 1 is a front perspective view of hot stove for blast furnace in accordance with the new design; FIG. 2 is a front view thereof; FIG. 3 is a top view thereof; and, FIG. 4 is a bottom view thereof. The broken lines shown are included for the purposes of illustrating portions of the hot stove for blast furnace that form no part of the claim.

1 Claim, 4 Drawing Sheets



(56)

References Cited

U.S. PATENT DOCUMENTS

2,408,728	A *	10/1946	Bowland	C21B 9/00	
				432/214	
2,494,816	A *	1/1950	Kling	C21B 9/00	
				165/DIG. 34	
2,677,628	A *	5/1954	Robinson	C21B 9/00	
				15/104.095	
D204,542	S *	4/1966	Dueringer	D25/31	
D209,192	S *	11/1967	Harding	D25/16	
3,473,793	A *	10/1969	Cronert	C21B 9/00	
				266/139	
3,477,701	A *	11/1969	Chihara	F28D 17/00	
				431/170	
D226,762	S *	4/1973	Vidakovits et al.	F28D 17/00	
				D23/235	
3,764,260	A *	10/1973	Smith, Jr.	C21B 9/00	
				432/217	
4,375,956	A *	3/1983	Brandenburg	C21B 9/10	
				266/139	
D280,011	S *	8/1985	Nosenzo	C21B 9/00	
				D23/342	
4,614,496	A *	9/1986	Binglin	C21B 9/00	
				432/30	
D293,360	S *	12/1987	Anderson, Sr.	D23/202	
D460,540	S *	7/2002	Ratia	C21B 9/00	
				D23/315	
D613,876	S *	4/2010	Hazlett, Jr.	D25/32	
8,419,423	B2 *	4/2013	Kalugin	F27D 99/0001	
				432/201	
D925,770	S *	7/2021	Nelson	D25/16	
2021/0190426	A1 *	6/2021	Kashihara	C21B 7/16	

* cited by examiner

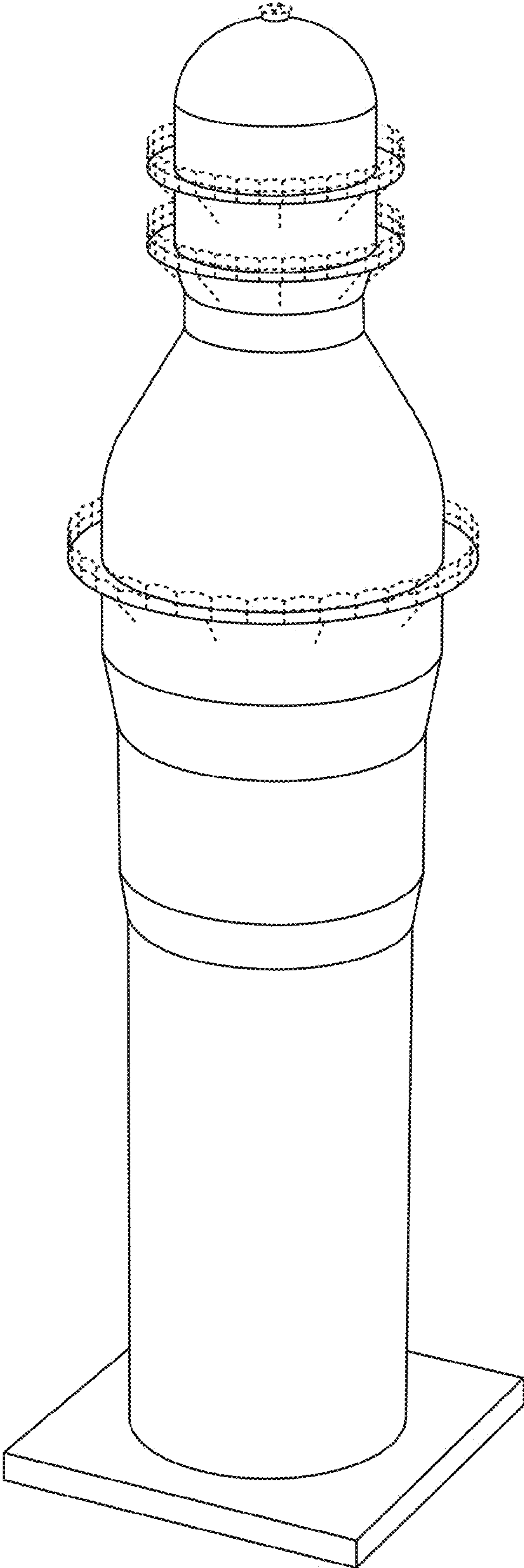


FIG. 1

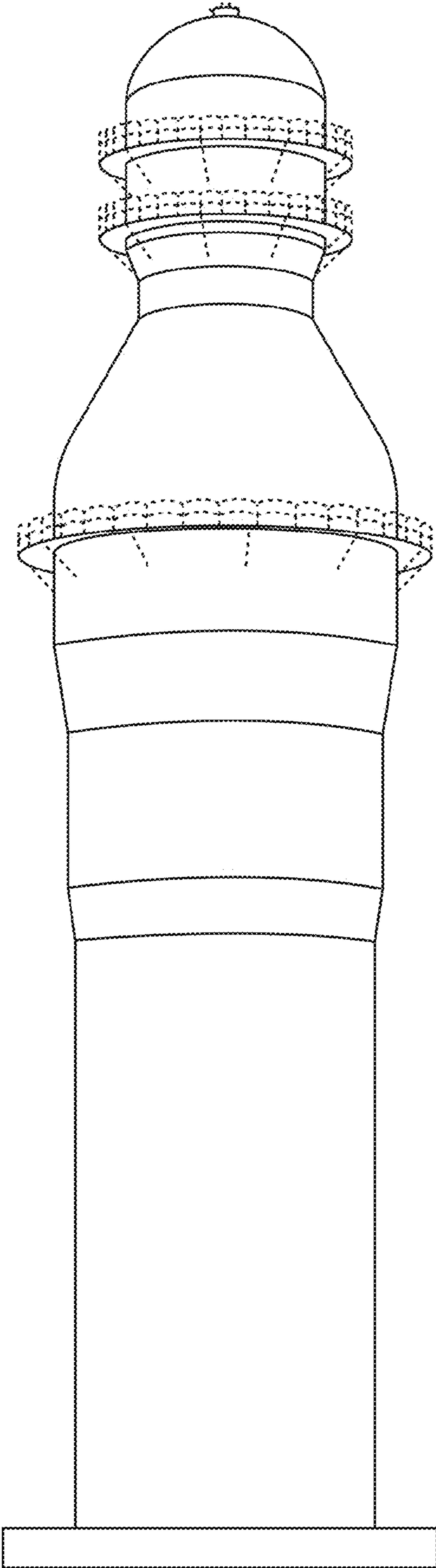


FIG. 2

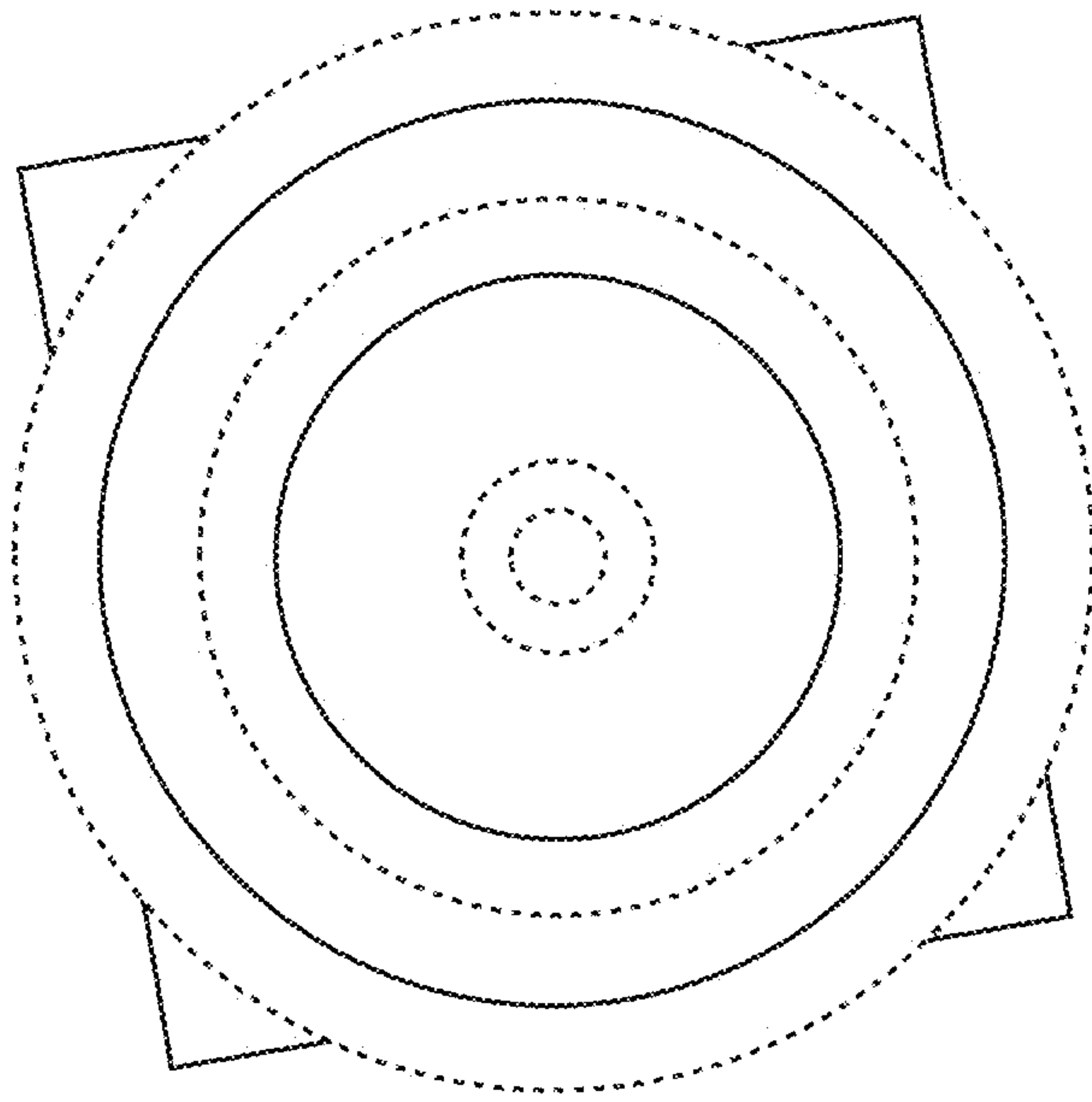


FIG. 3

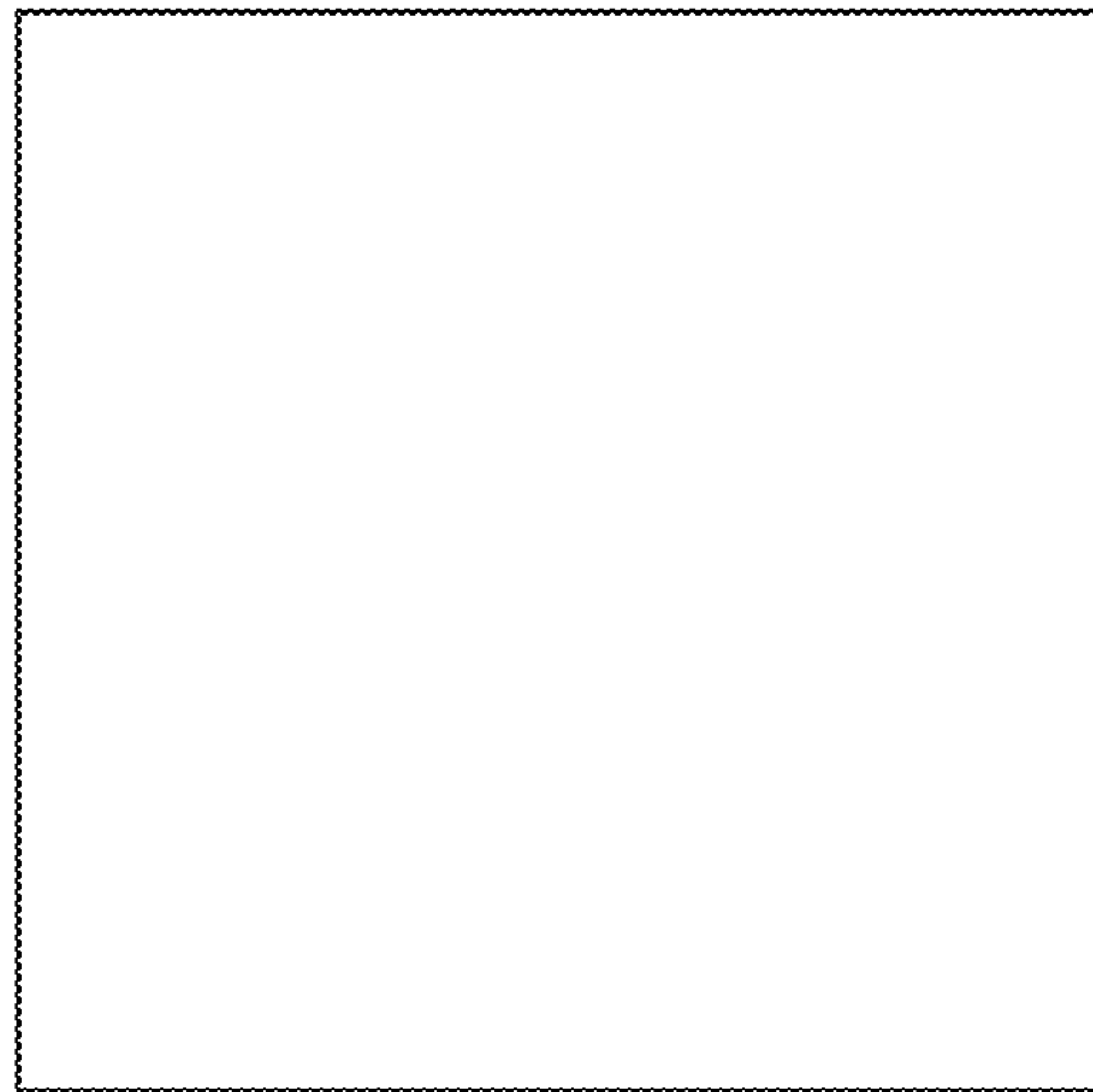


FIG. 4