



US00D973853S

(12) **United States Design Patent**
Pan et al.

(10) **Patent No.:** **US D973,853 S**
(45) **Date of Patent:** **** Dec. 27, 2022**

(54) **HEATER**

(71) Applicant: **Shenzhen Intellirocks Tech Co., Ltd.**,
Shenzhen (CN)

(72) Inventors: **Jinyu Pan**, Shenzhen (CN); **Wenlong Wu**,
Shenzhen (CN)

(73) Assignee: **Shenzhen Intellirocks Tech Co., Ltd.**,
Shenzhen (CN)

(**) Term: **15 Years**

(21) Appl. No.: **29/774,365**

(22) Filed: **Mar. 16, 2021**

(51) **LOC (13) Cl.** **23-03**

(52) **U.S. Cl.**
USPC **D23/335**

(58) **Field of Classification Search**
USPC D23/314, 317, 325, 332, 342, 356, 350,
D23/417; D13/137, 145, 137.4
CPC F24D 2200/08; F24D 13/00; F24D 15/00
See application file for complete search history.

(56) **References Cited**

U.S. PATENT DOCUMENTS

D396,527 S *	7/1998	Boyle	D23/335
D586,783 S *	2/2009	Lui	D14/214
D617,436 S *	6/2010	Chen	D23/364
D628,979 S *	12/2010	Yagi	D14/214
D633,608 S *	3/2011	Shapiro	D23/314
D674,779 S *	1/2013	Joseph	D14/214
D745,128 S *	12/2015	Farone	D23/355
D838,354 S *	1/2019	Farone	D23/364
D841,140 S *	2/2019	Chen	D23/336
D850,592 S *	6/2019	Jacobs	D23/332
D853,545 S *	7/2019	Zhong	D23/364
D877,875 S *	3/2020	Shin	D23/364
D878,531 S *	3/2020	Shin	D23/364

D878,532 S *	3/2020	Shin	D23/364
D954,238 S *	6/2022	Lei	D23/335
D961,745 S *	8/2022	Zhang	D23/332

OTHER PUBLICATIONS

“22 in. 4-in-1 Air Purifier with True HEPA filter for Medium Rooms up to 150 Sq Ft, Grey”, <https://www.homedepot.com/p/GermGuardian-22-in-4-in-1-Air-Purifier-with-True-HEPA-filter-for-Medium-Rooms-up-to-150-Sq-Ft-Grey-AC4900CA/206868570>, reviewed 6, 2016, retrieved Jun. 22, 2022. (Year: 2016).*

“1500-Watt Infrared Quartz Tower Indoor Electric Space Heater with Thermostat and Remote Included”, <https://www.lowes.com/pd/Scott-Living-1500-Watt-Infrared-Quartz-Tower-Electric-Space-Heater/1000279193>, reviewed Oct. 24, 2017, retrieved Jun. 22, 2022. (Year: 2017).*

* cited by examiner

Primary Examiner — Amy C Wierenga

Assistant Examiner — Andrea Marie McKay

(74) *Attorney, Agent, or Firm* — ScienBiziP, P.C.

(57) **CLAIM**

The ornamental design for a heater, as shown and described.

DESCRIPTION

FIG. 1 is a front, left, and top perspective view of a heater, showing my design;

FIG. 2 is a rear, right, and top perspective view thereof;

FIG. 3 is a front elevation view thereof;

FIG. 4 is a rear elevation view thereof;

FIG. 5 is a left side elevation view thereof;

FIG. 6 is a right side elevation view thereof;

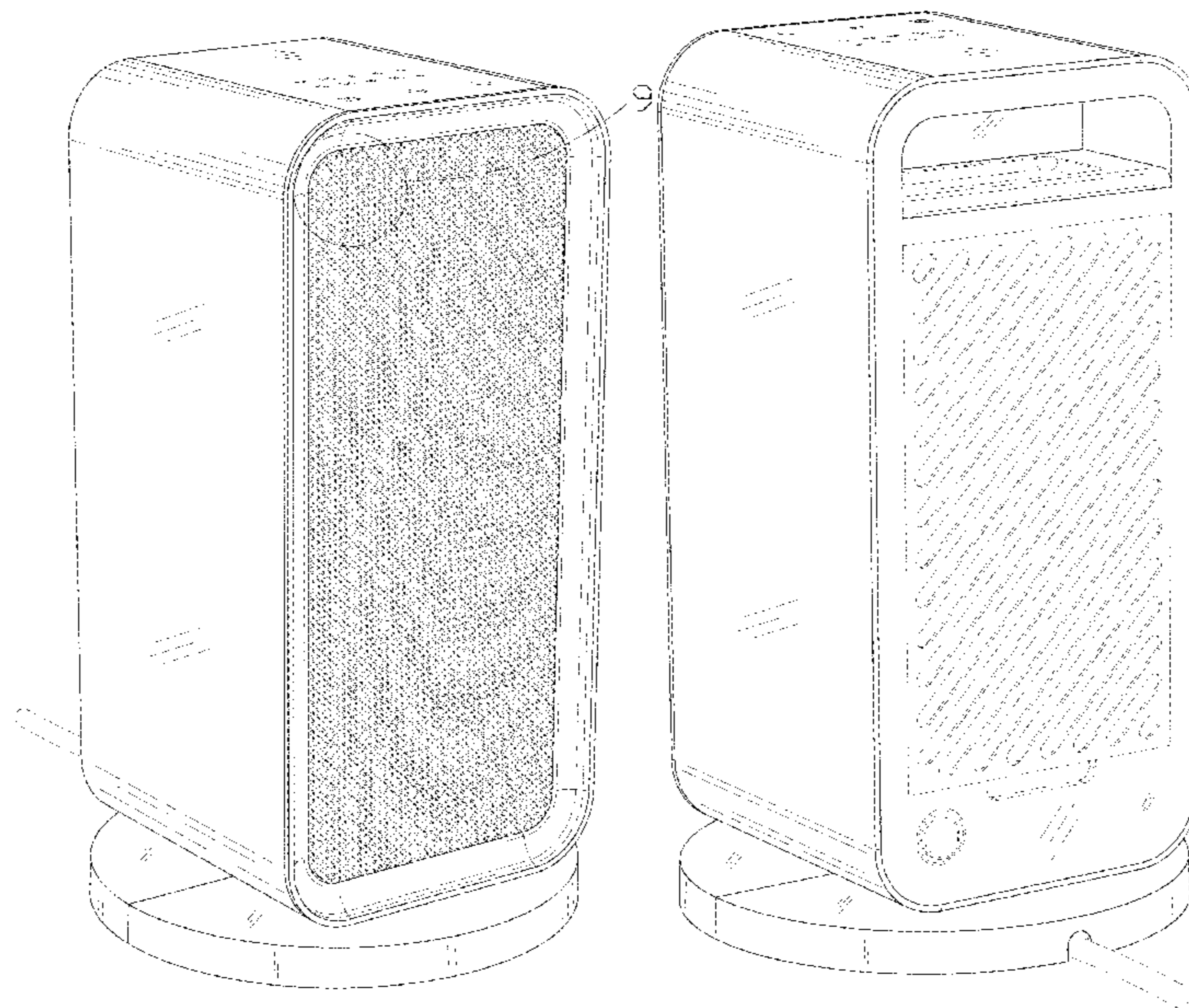
FIG. 7 is a top plan view thereof;

FIG. 8 is a bottom plan view thereof; and,

FIG. 9 is an enlarged detail view of portion 9 in FIG. 1.

The broken lines shown in the drawings are included for the purpose of illustrating portions of the heater that form no part of the claimed design.

1 Claim, 9 Drawing Sheets



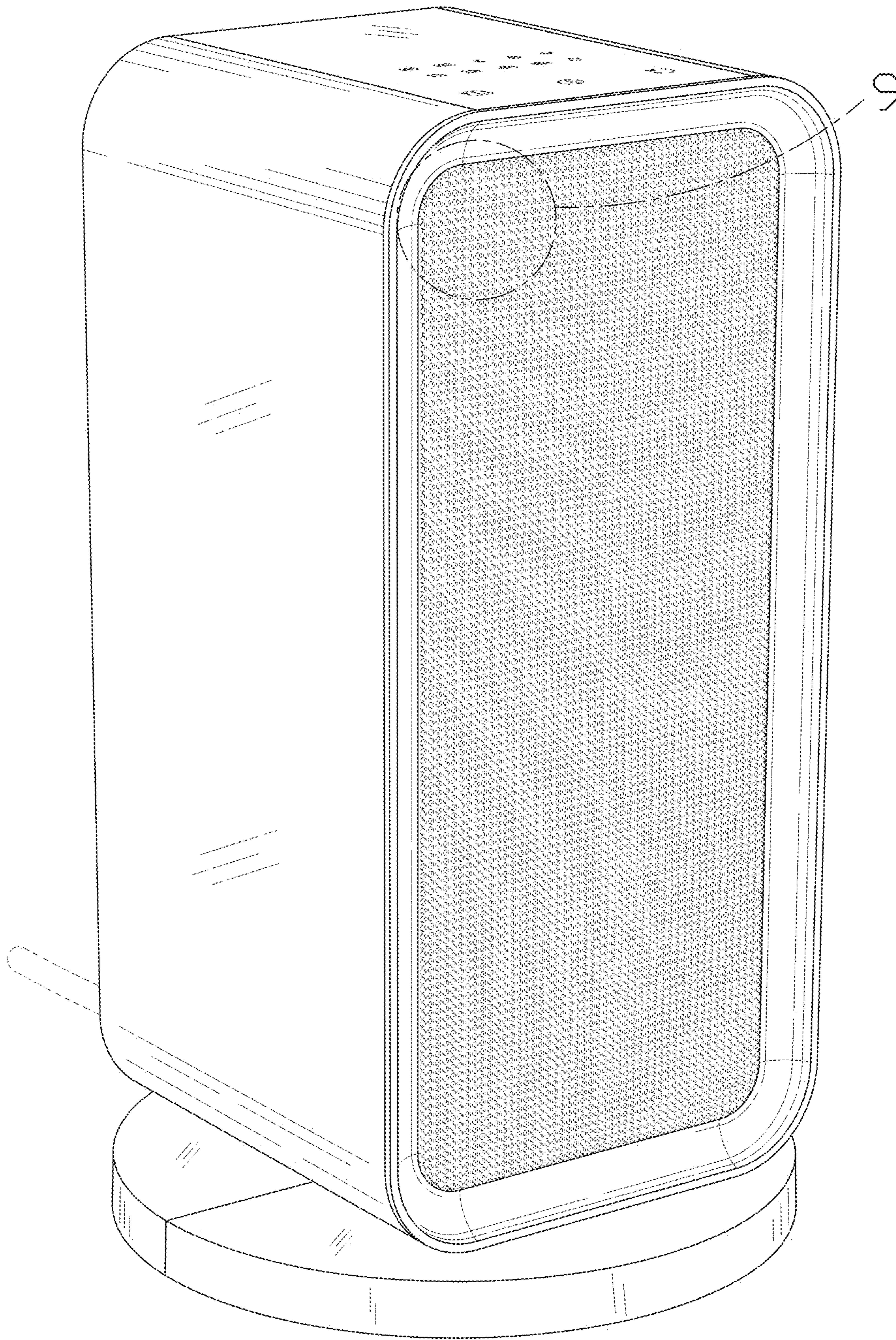


FIG. 1

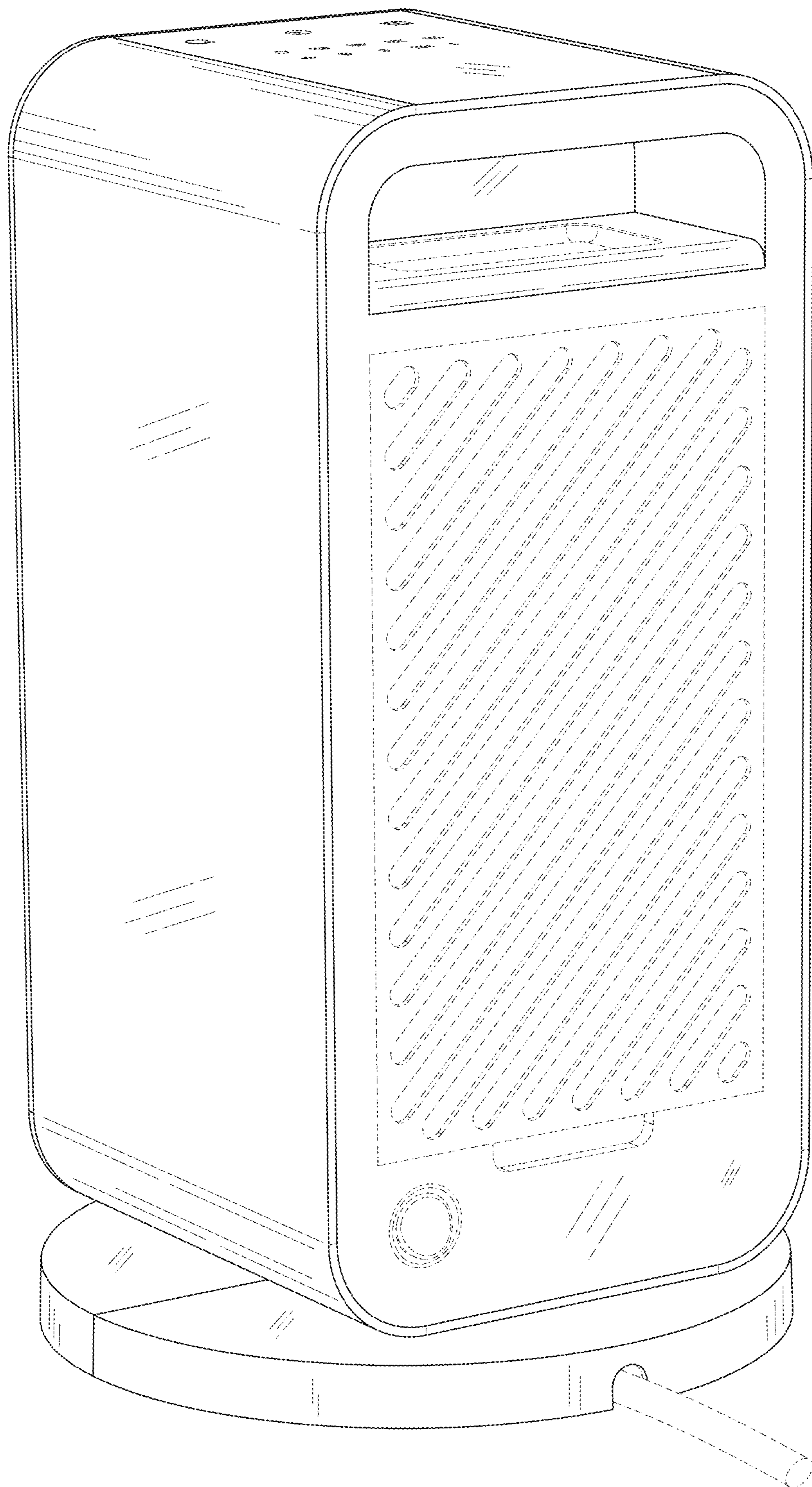


FIG. 2

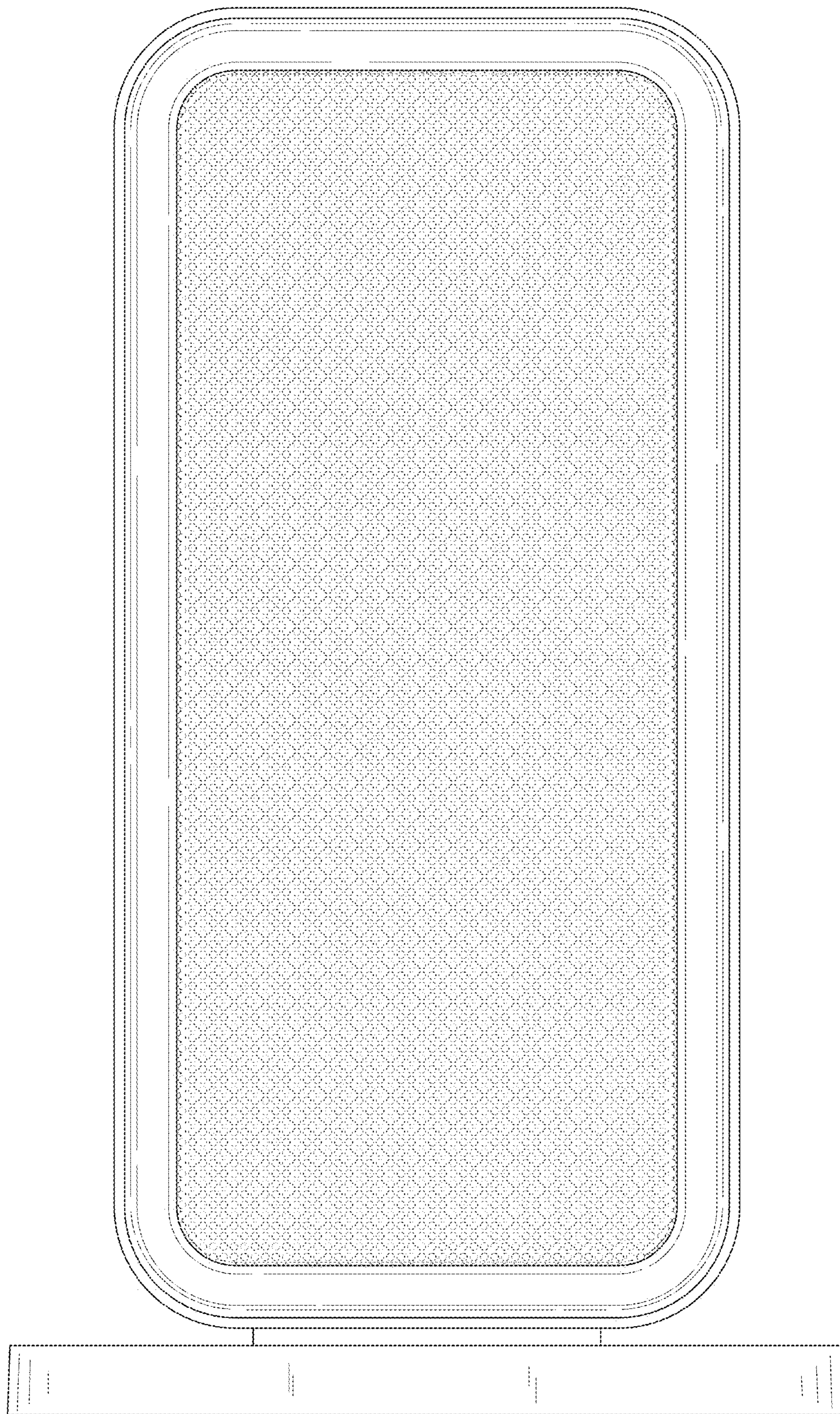


FIG. 3

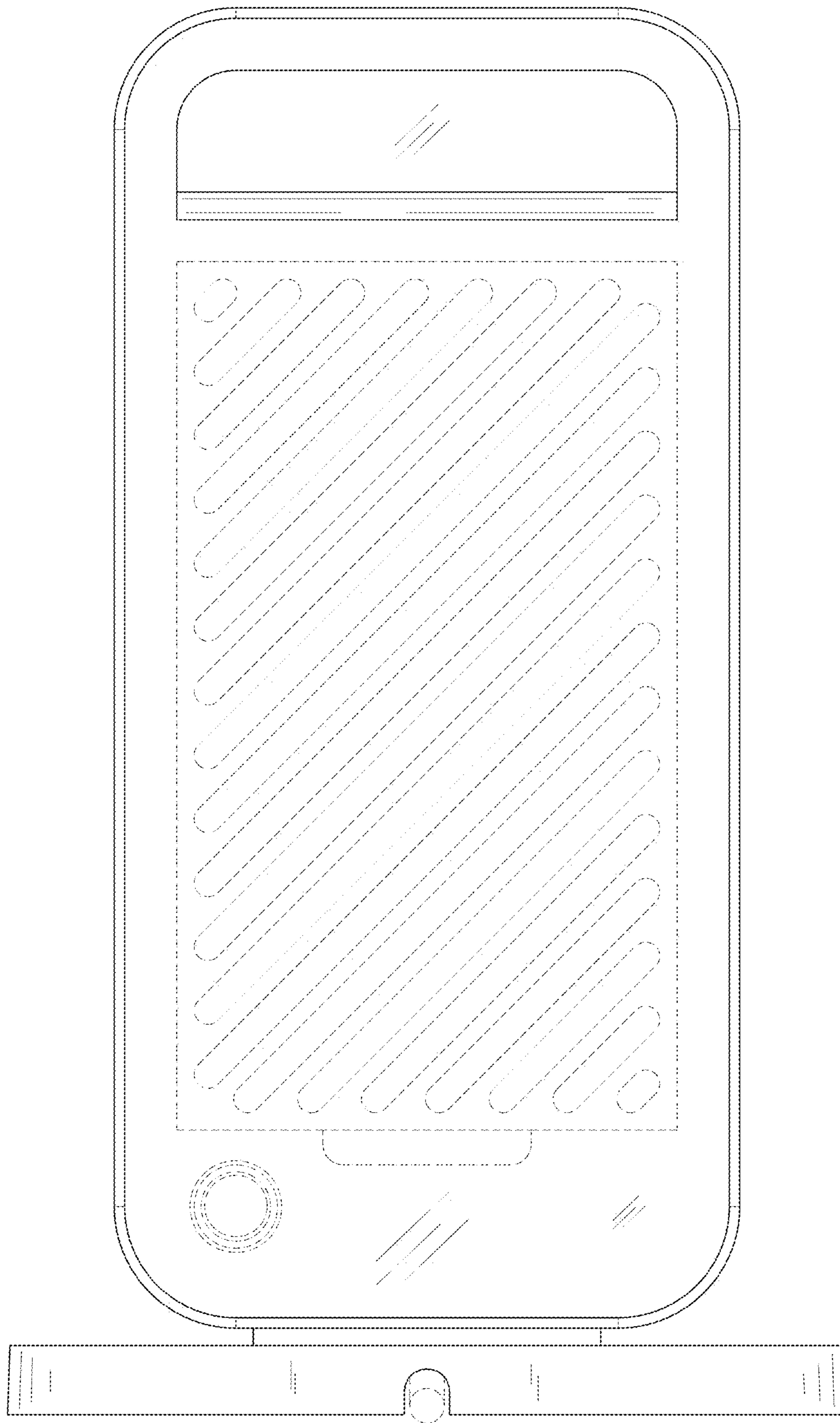


FIG. 4

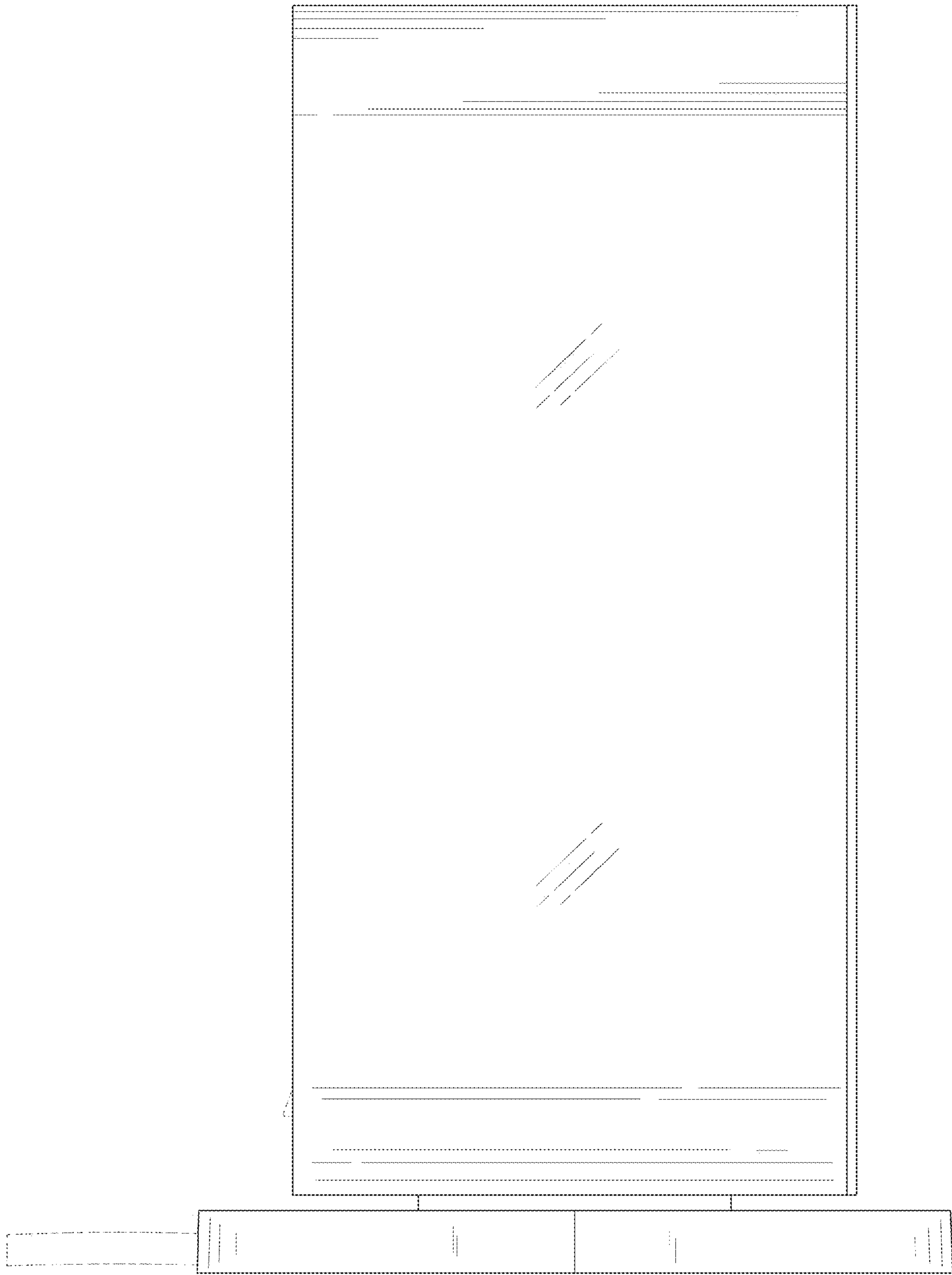


FIG. 5

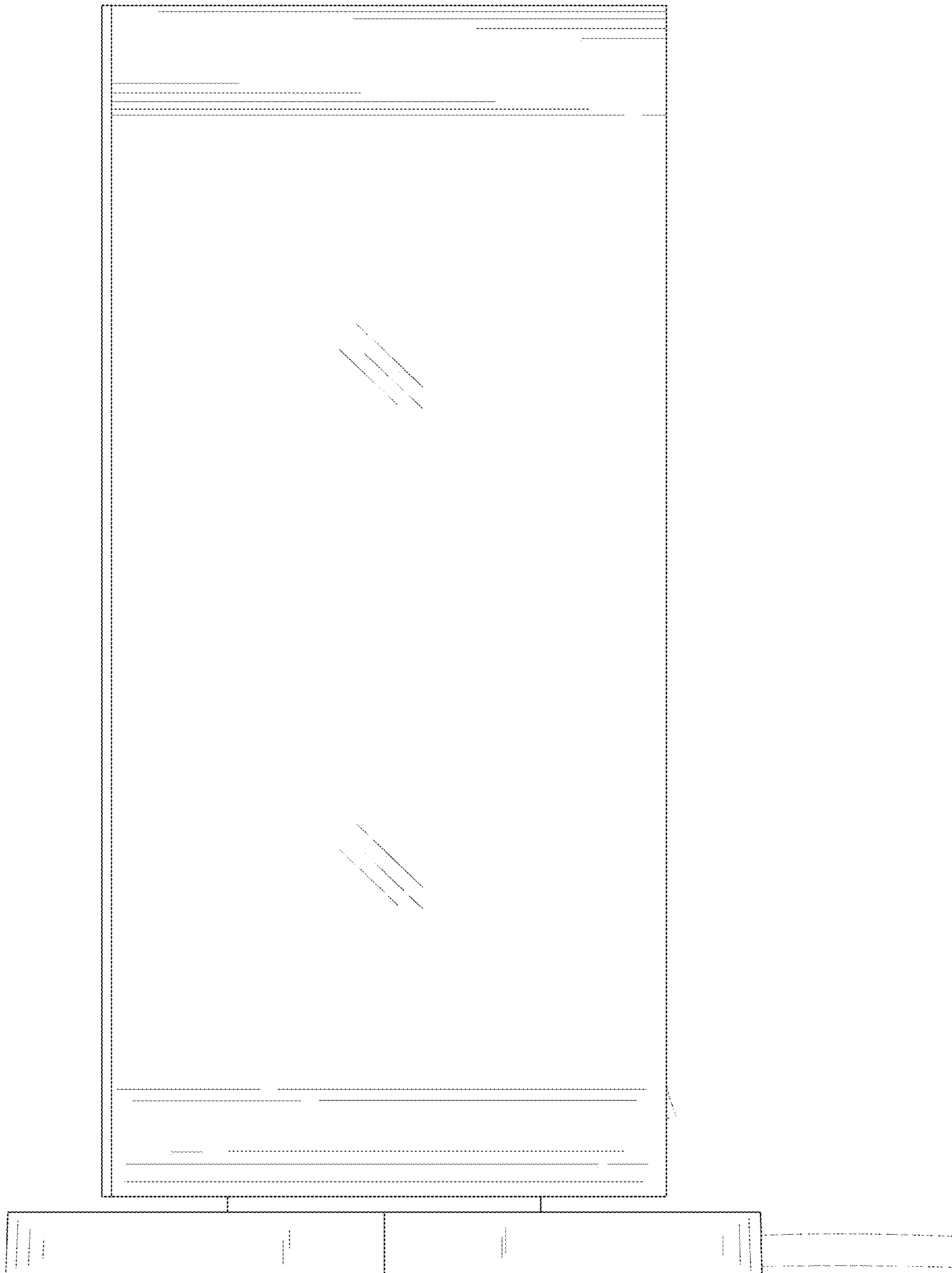


FIG. 6

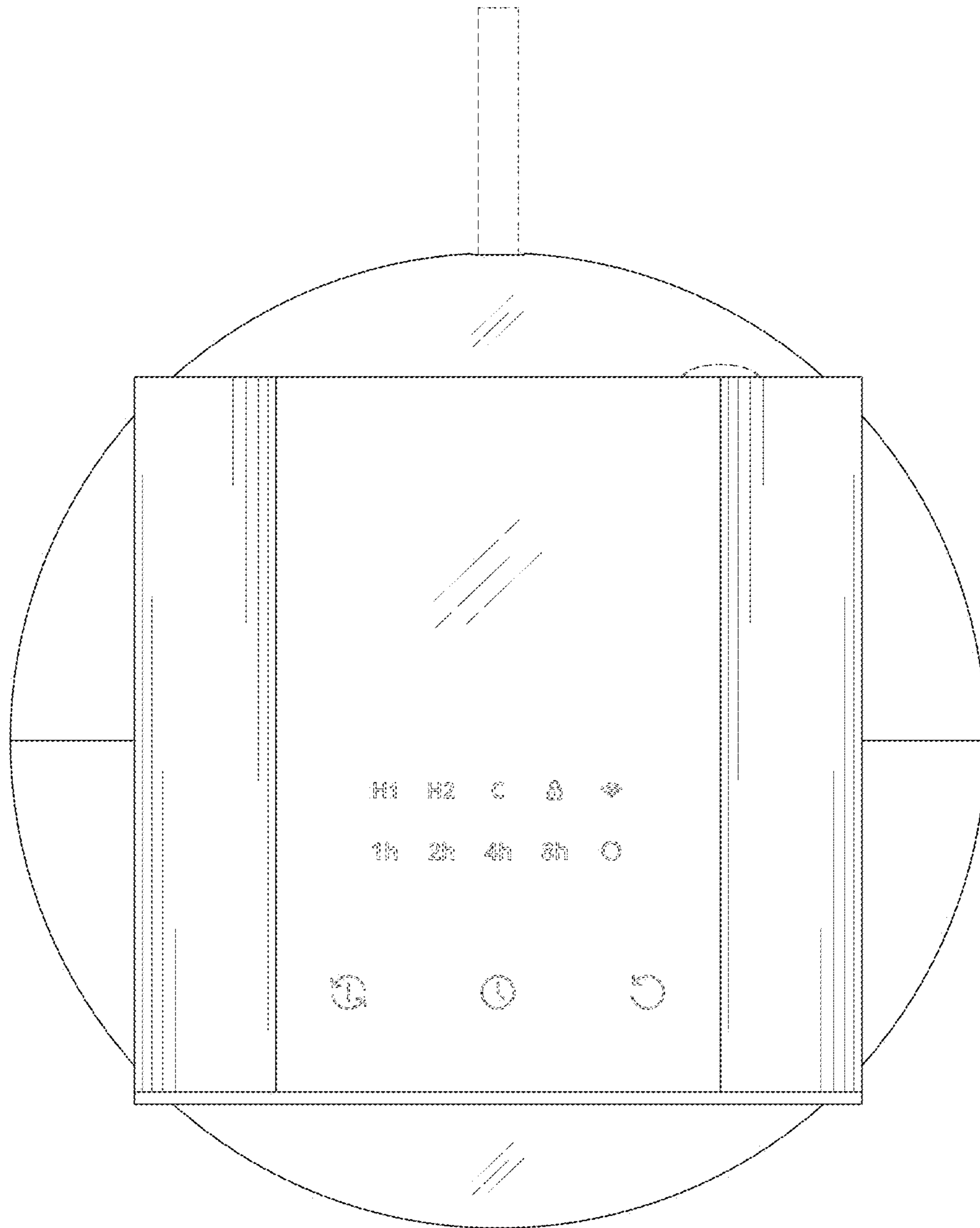


FIG. 7

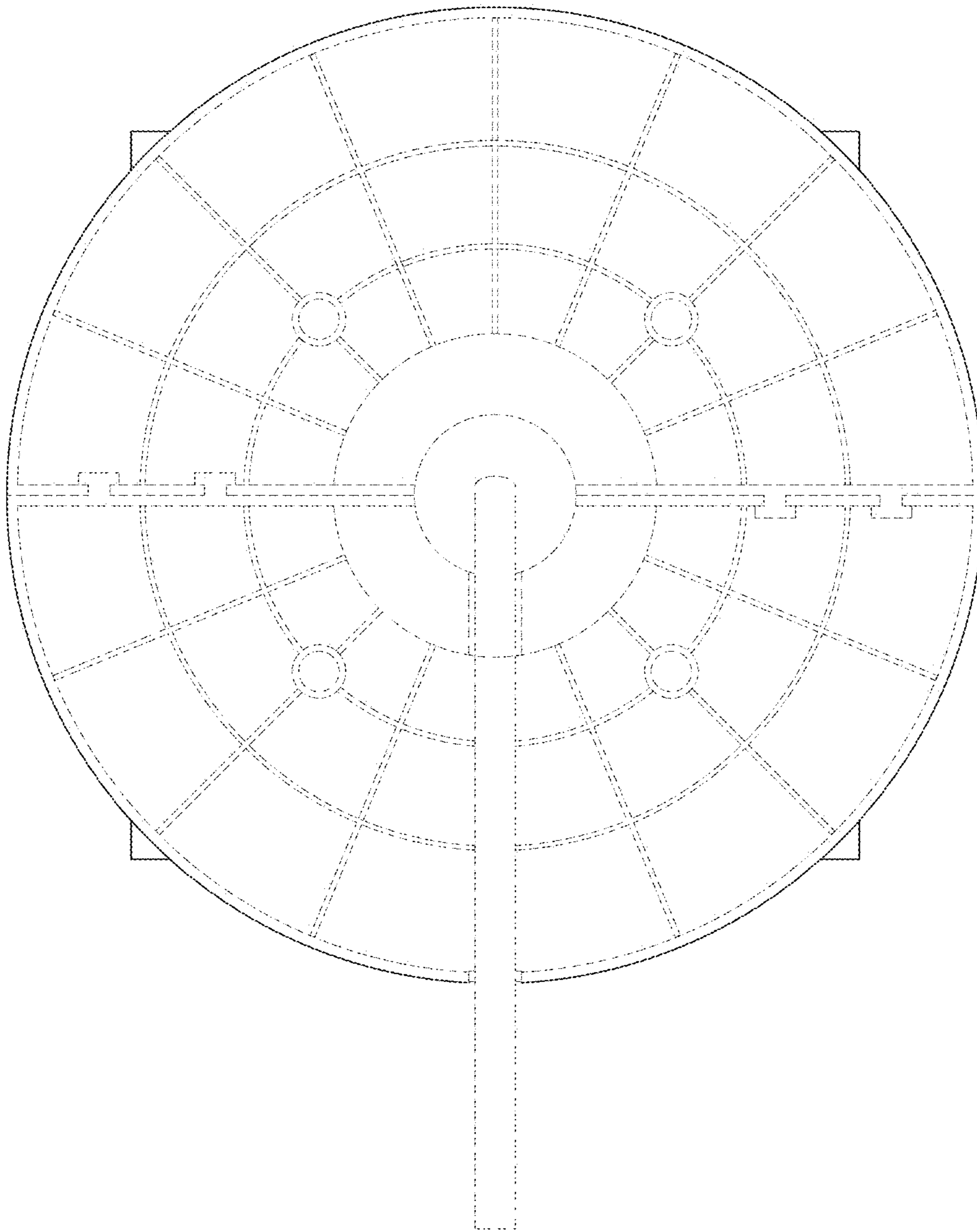


FIG. 8

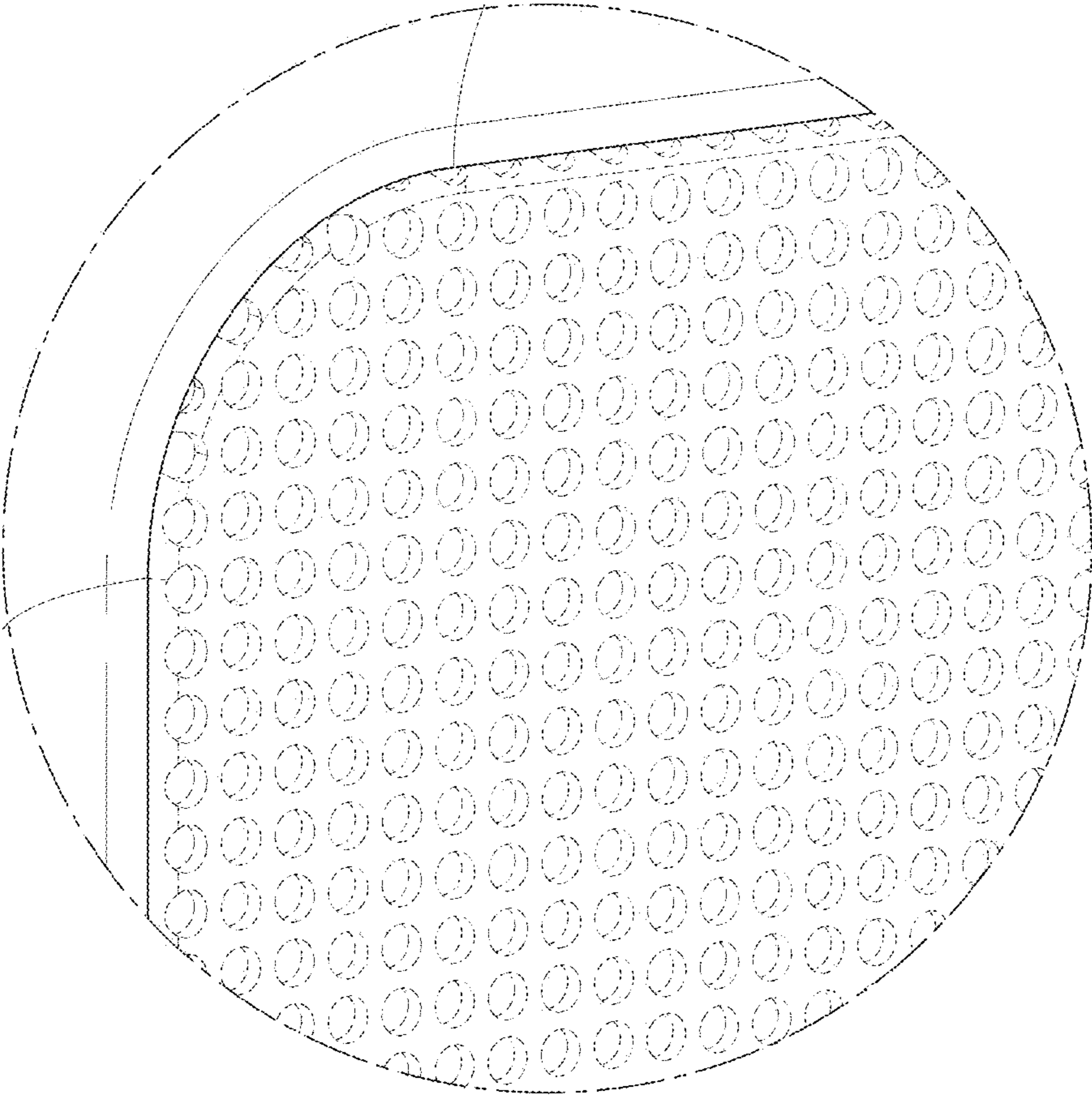


FIG. 9