



US00D973852S

(12) **United States Design Patent** (10) **Patent No.:** **US D973,852 S**  
**Zhu** (45) **Date of Patent:** **\*\* Dec. 27, 2022**

(54) **HAND WARMER WITH CHARGING BOX**

FOREIGN PATENT DOCUMENTS

(71) Applicant: **Shenzhen Chinaunion Technology Co., Ltd.**, Shenzhen (CN)

CN 304975794 \* 1/2019  
CN 306236348 \* 12/2020

(72) Inventor: **Xueping Zhu**, Rucheng (CN)

*Primary Examiner* — Ania Aman

(\*\*) Term: **15 Years**

(74) *Attorney, Agent, or Firm* — Rumi R. Kanakia

(21) Appl. No.: **29/797,948**

(57) **CLAIM**

(22) Filed: **Jul. 4, 2021**

The ornamental design for a hand warmer with charging box, as shown and described.

(30) **Foreign Application Priority Data**

Jun. 15, 2021 (CN) ..... 202130367183.1

(51) **LOC (13) Cl.** ..... **23-03**

**DESCRIPTION**

(52) **U.S. Cl.**

USPC ..... **D23/332**; D24/206

(58) **Field of Classification Search**

USPC ..... D23/314, 332, 325, 336, 337, 338, 339,  
D23/340, 355, 364, 328; D24/206;  
D13/108, 107

CPC .. A61F 2007/0036; A61F 7/032; A61F 7/034;  
A61F 7/00; A61F 7/007; A61F 7/0085;  
A61F 7/02; A61F 7/20; A61F 2007/0001;  
A61F 2007/0085; A61F 2007/0087

See application file for complete search history.

FIG. 1 is a top perspective view of the charging box portion of the hand warmer with charging box showing my new design;

FIG. 2 is a bottom perspective view of the charging box thereof;

FIG. 3 is a front view of the charging box thereof;

FIG. 4 is a back view of the charging box thereof;

FIG. 5 is a bottom view of the charging box thereof;

FIG. 6 is a top view of the charging box thereof;

FIG. 7 is a left side view of the charging box thereof;

FIG. 8 is a right side view of the charging box thereof;

FIG. 9 is a top perspective view of the hand warmer portion of the hand warmer with charging box;

FIG. 10 is a bottom perspective view of the hand warmer thereof;

FIG. 11 is a front view of the hand warmer thereof;

FIG. 12 is a back view of the hand warmer thereof;

FIG. 13 is a top perspective view of the hand warmer with charging box thereof; and,

FIG. 14 is a top perspective view of the hand warmer with charging box in the closed position.

The broken lines shown in the drawings are included for the purpose of illustrating portions of the article that form no part of the claimed design.

(56) **References Cited**

U.S. PATENT DOCUMENTS

3,547,100 A \* 12/1970 Yasumasa ..... A61F 7/034  
44/590

D577,333 S \* 9/2008 Daniel ..... D13/103

D811,893 S \* 3/2018 Bandawat ..... D9/686

D899,355 S \* 10/2020 Sommerfeld ..... D13/103

D911,954 S \* 3/2021 Xie ..... D13/103

D912,261 S \* 3/2021 Tang ..... D24/206

D918,356 S \* 5/2021 Wang ..... D23/332

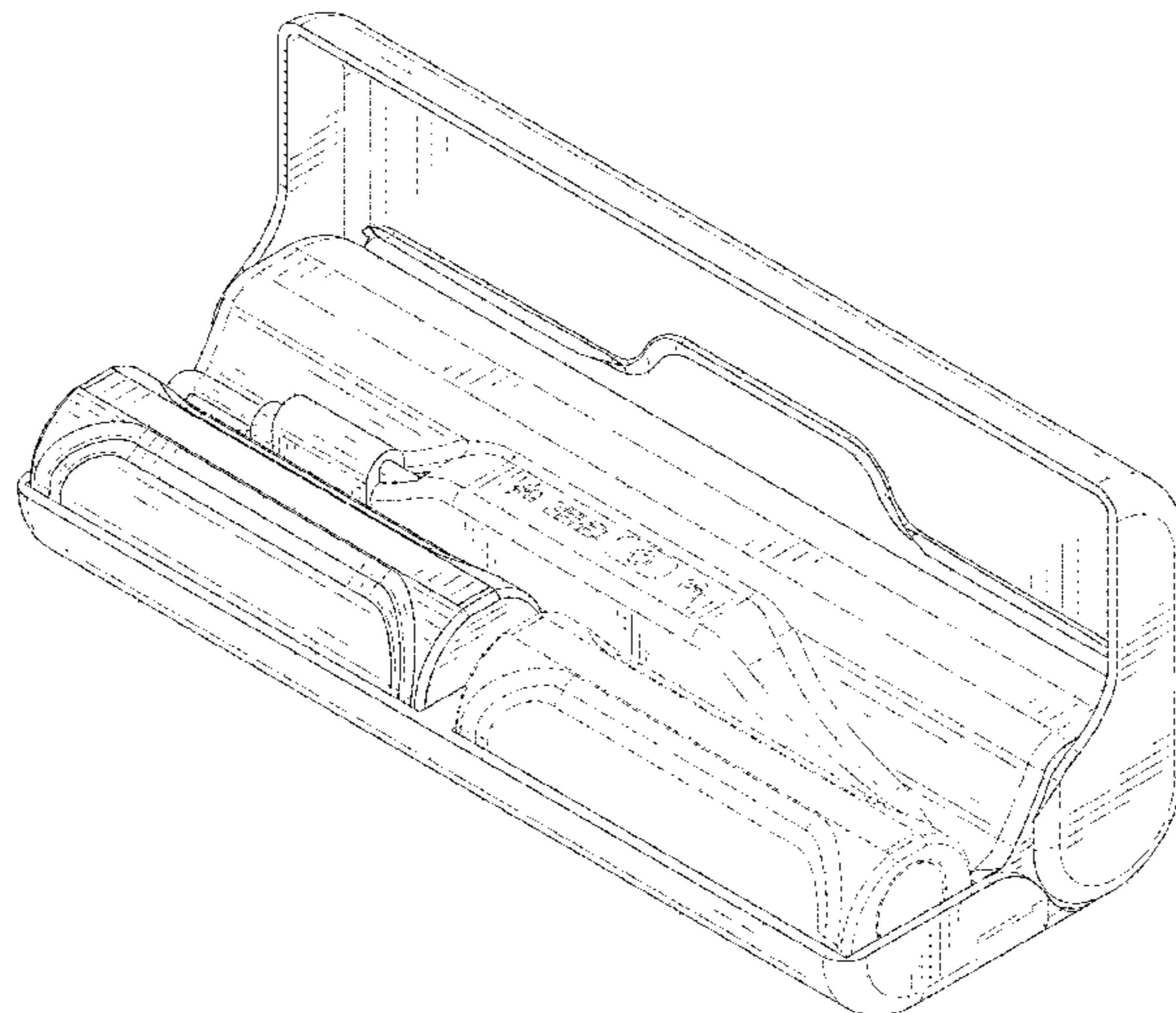
D957,327 S \* 7/2022 Choe ..... D13/108

D958,598 S \* 7/2022 Zhu ..... D7/532

2008/0053979 A1 \* 3/2008 Toya ..... A61H 23/0263  
219/385

(Continued)

**1 Claim, 14 Drawing Sheets**



(56)

**References Cited**

U.S. PATENT DOCUMENTS

2018/0042761 A1\* 2/2018 Smith ..... A44C 5/0007  
2020/0375791 A1\* 12/2020 Plazarte ..... A61F 7/007

\* cited by examiner

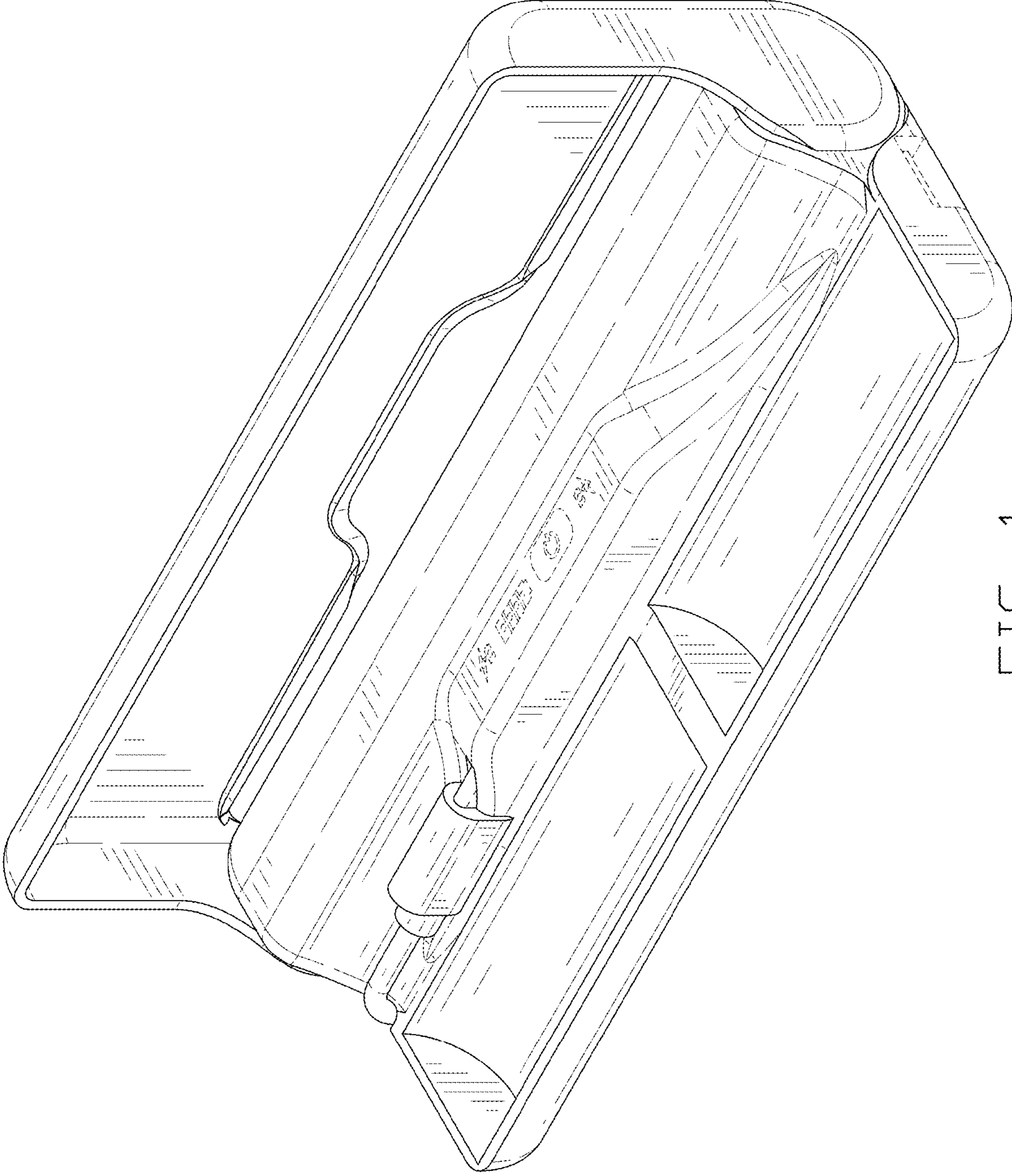


FIG. 1



FIG. 2

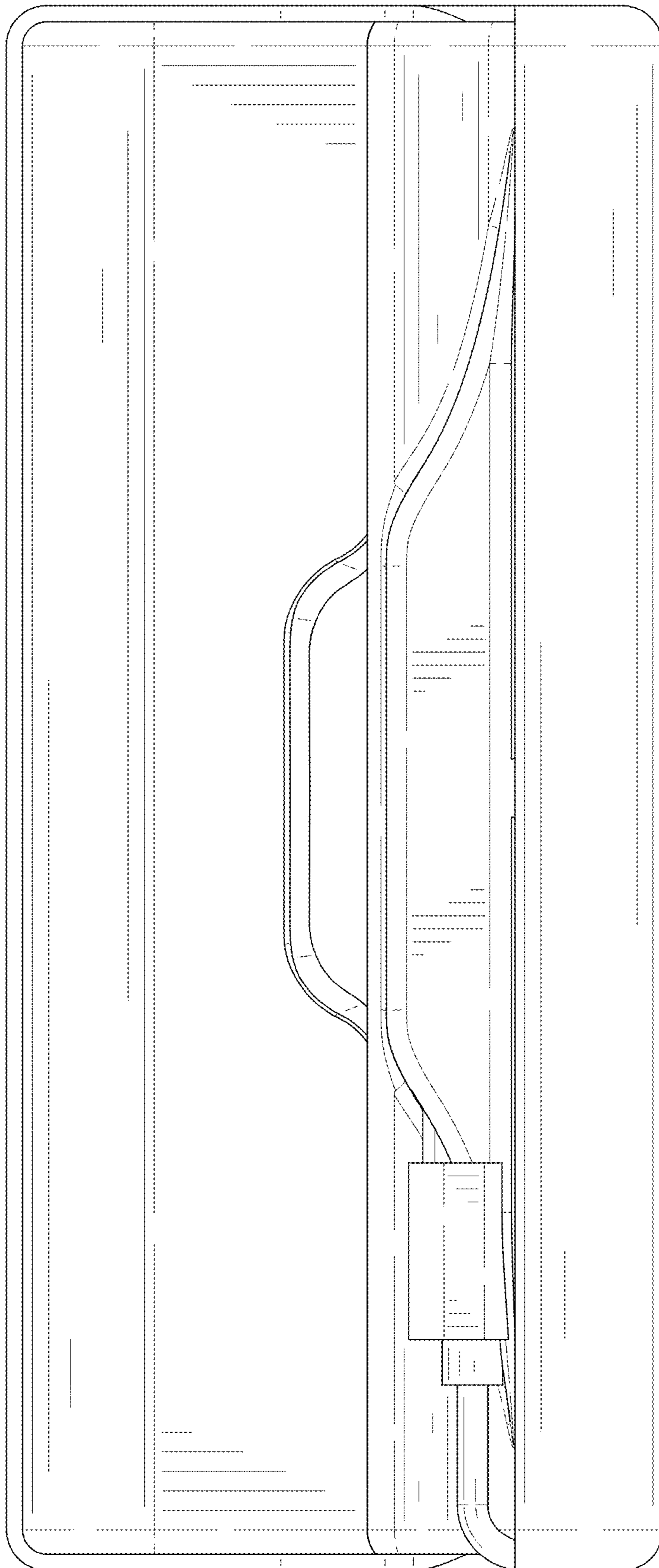


FIG. 3

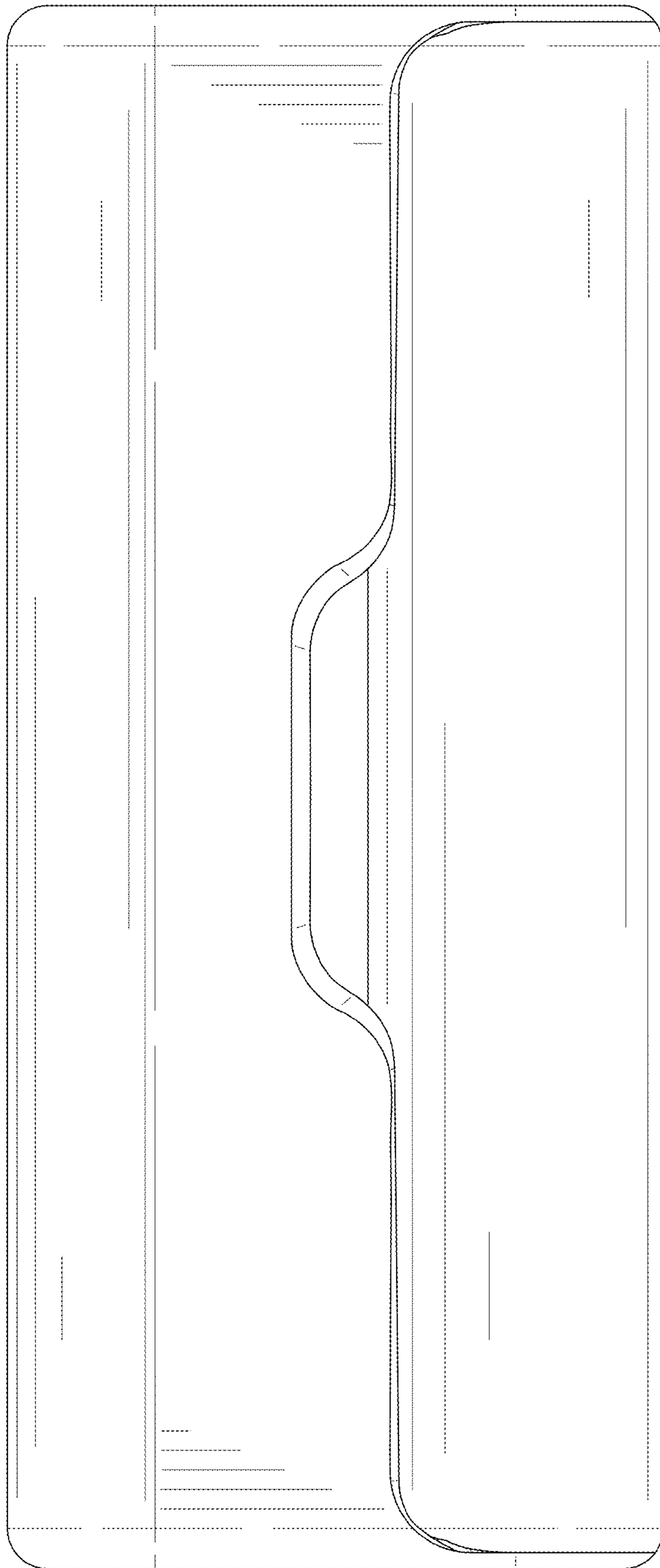


FIG. 4

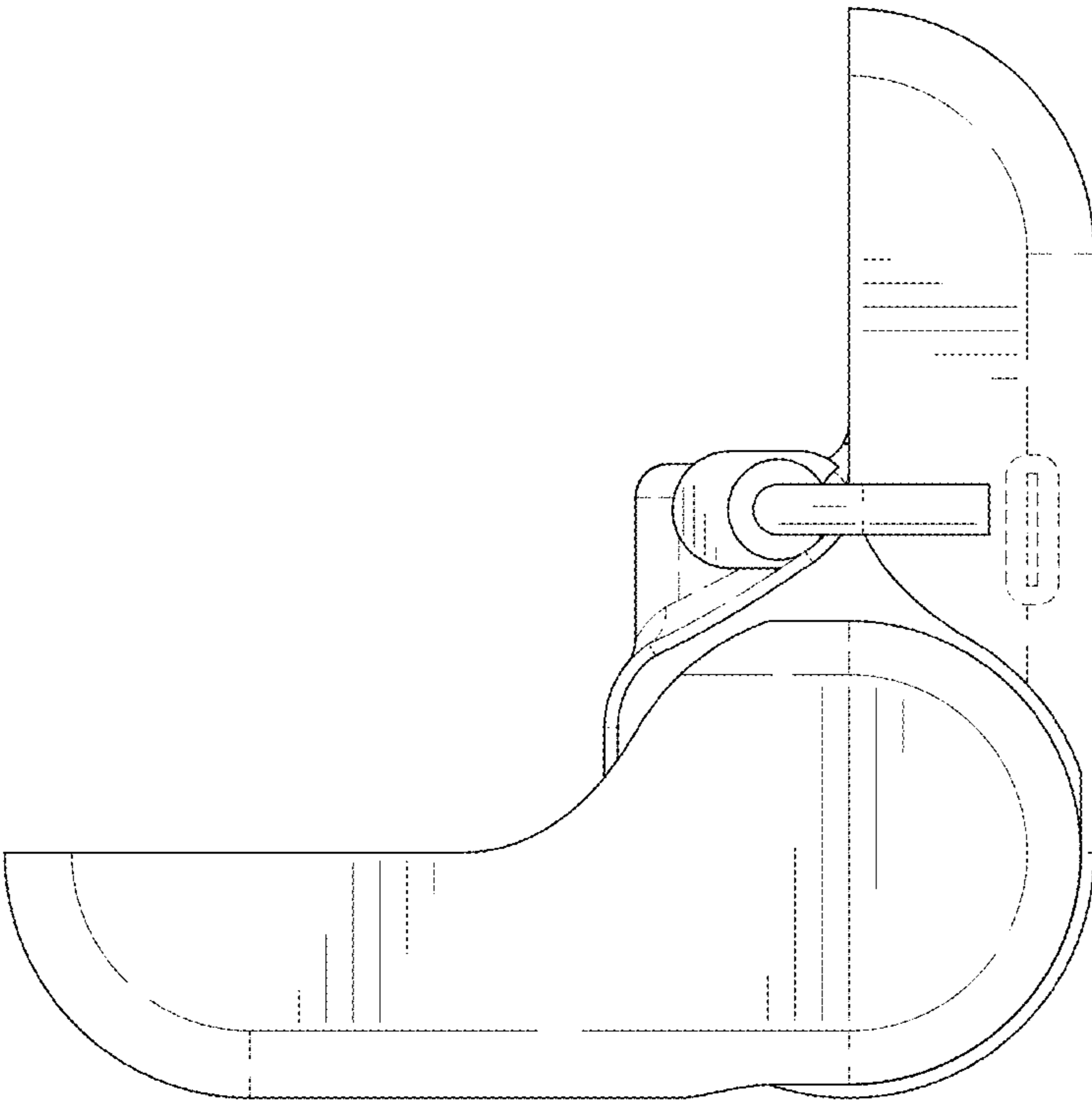


FIG. 5

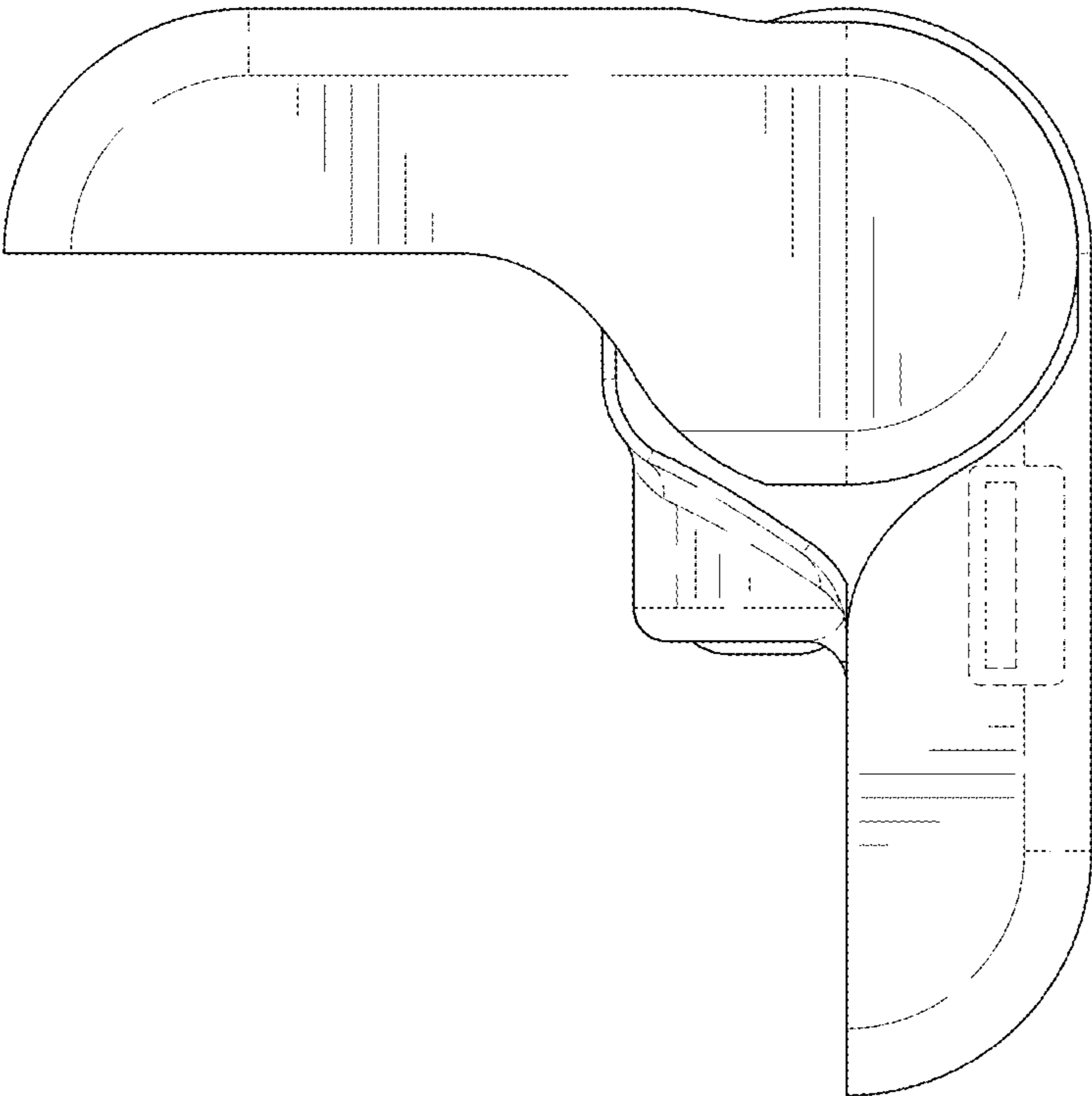


FIG. 6



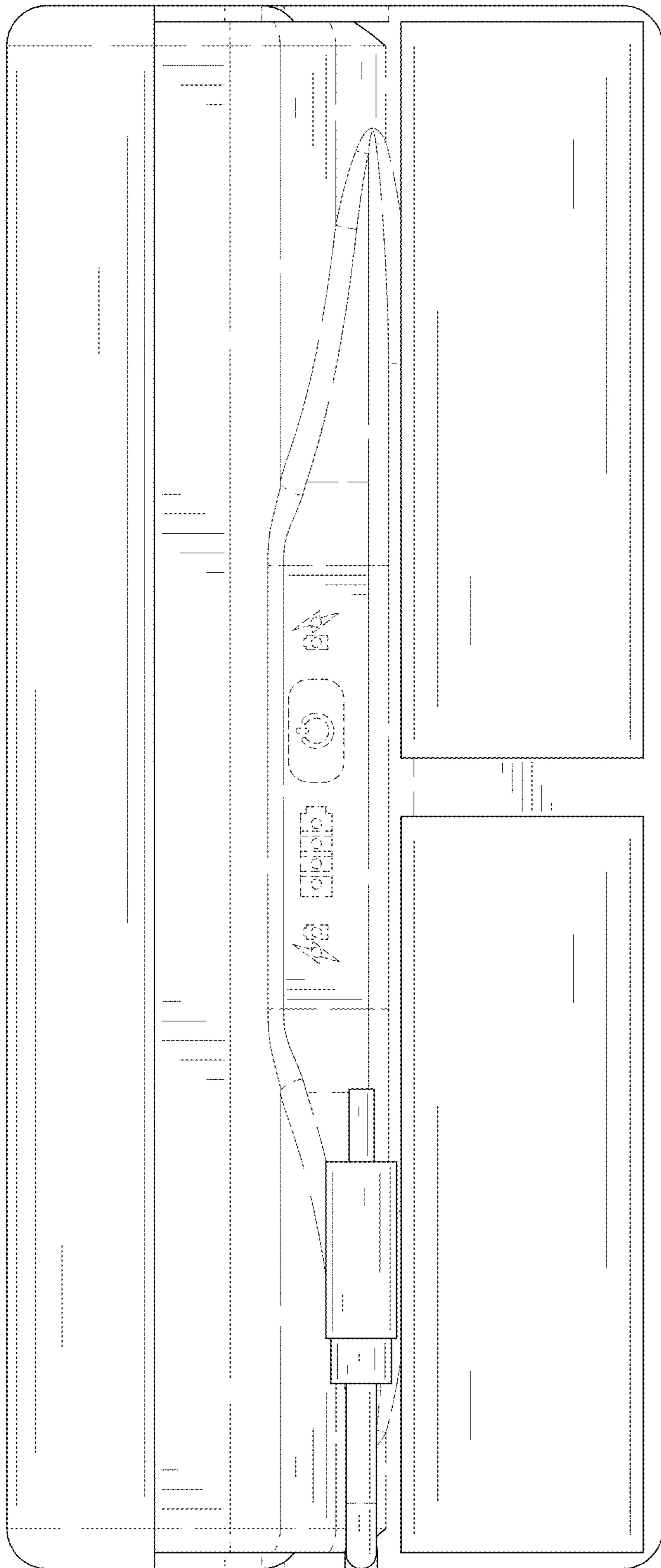


FIG. 7

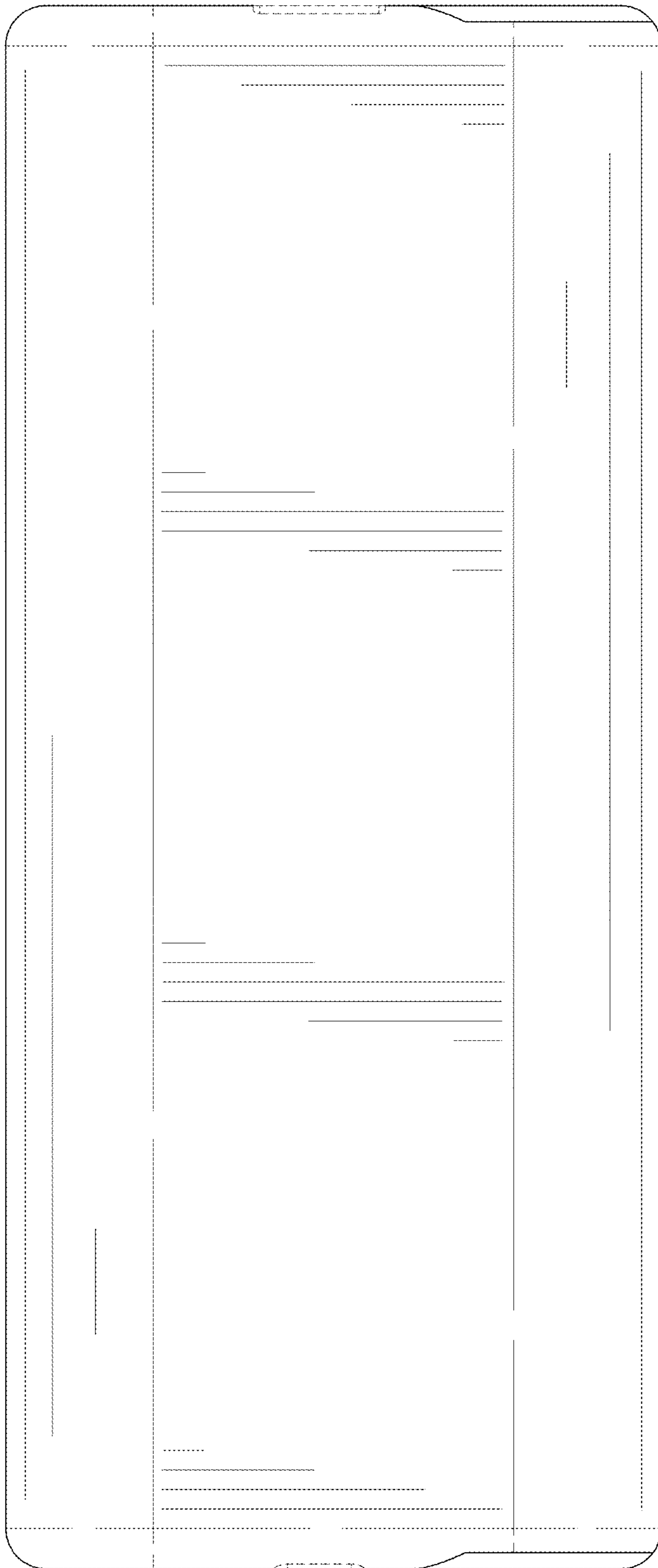


FIG. 8

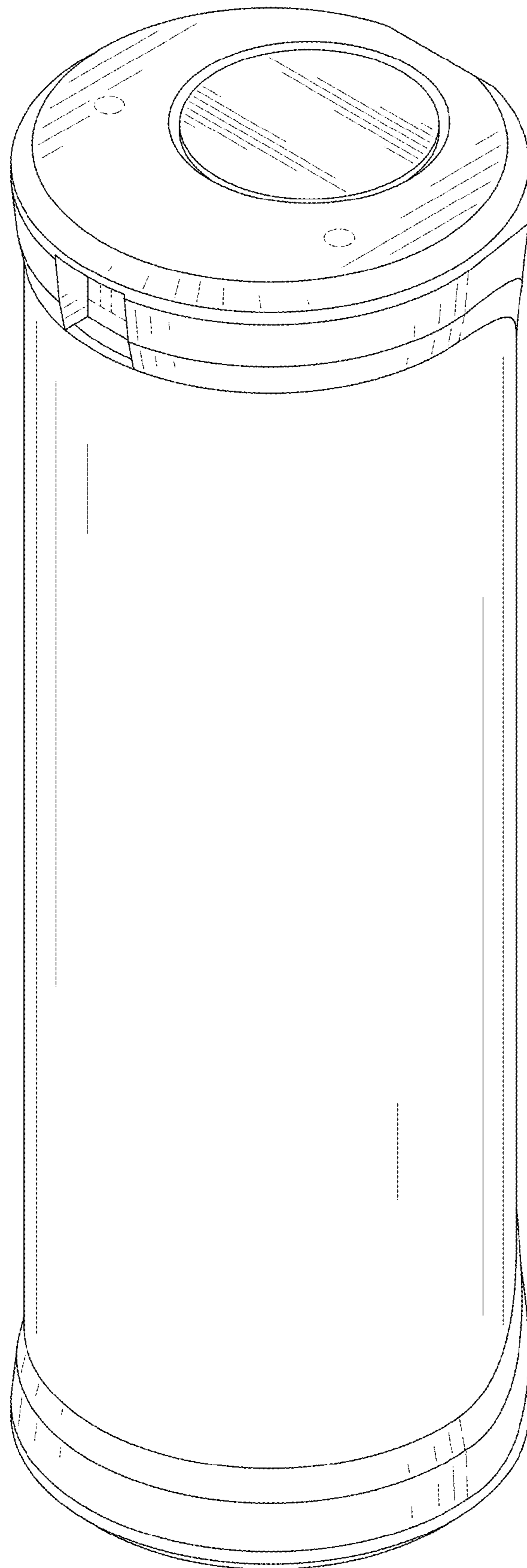


FIG. 9

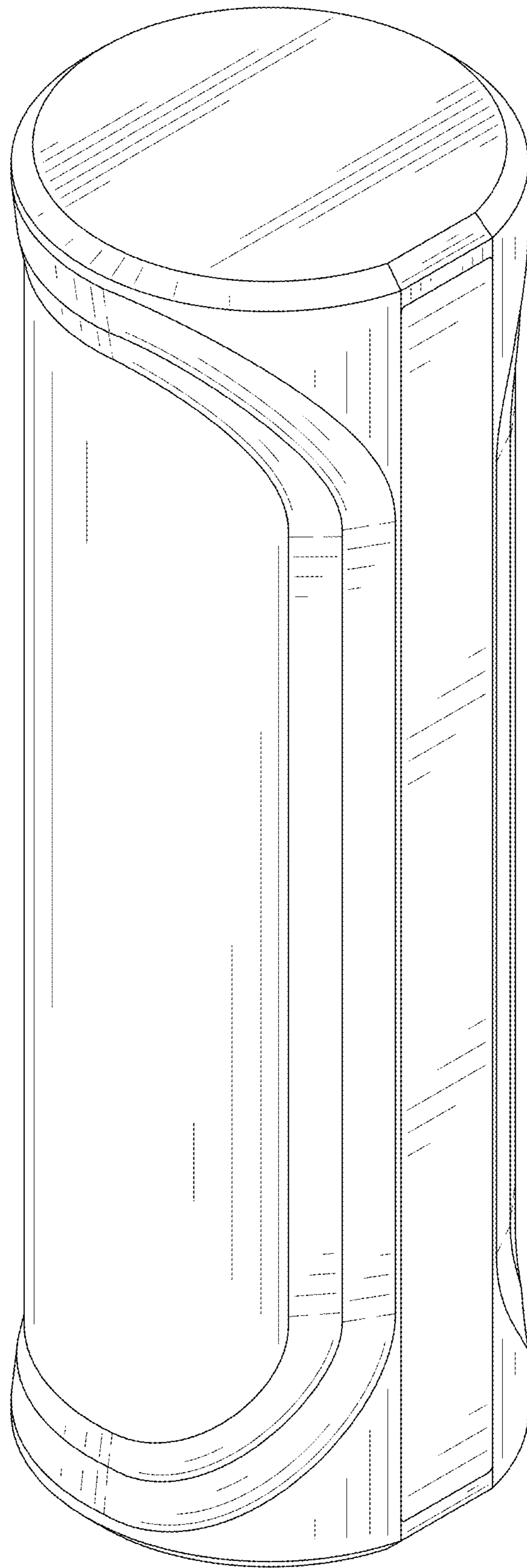


FIG. 10

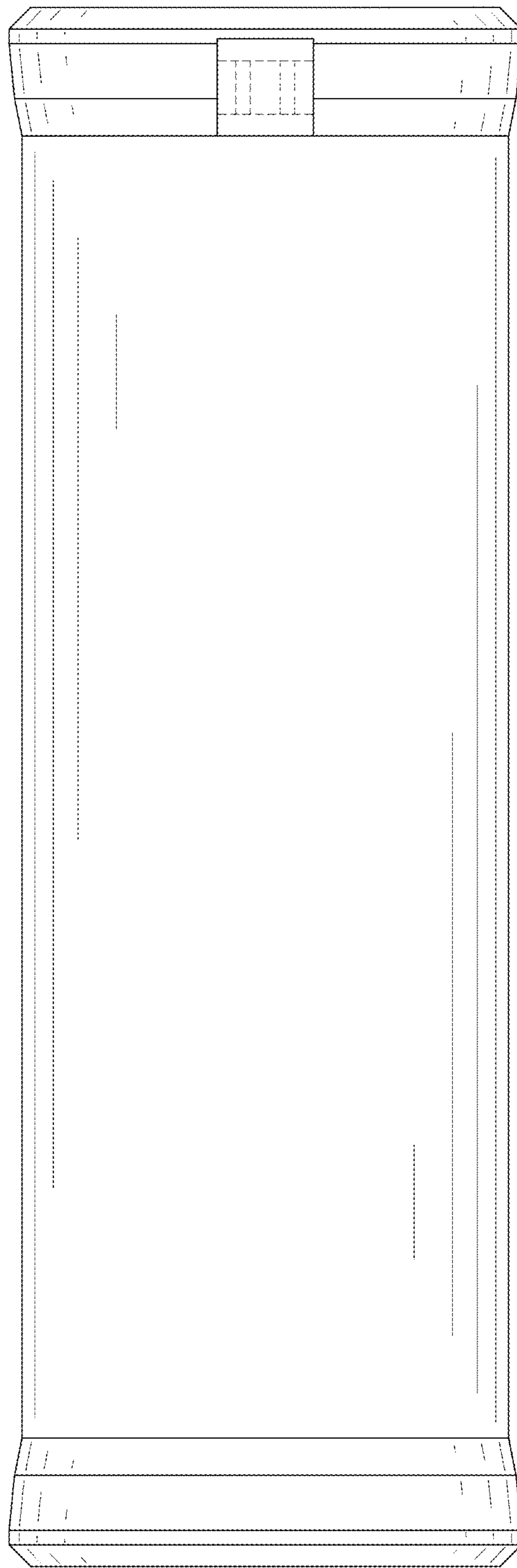


FIG. 11

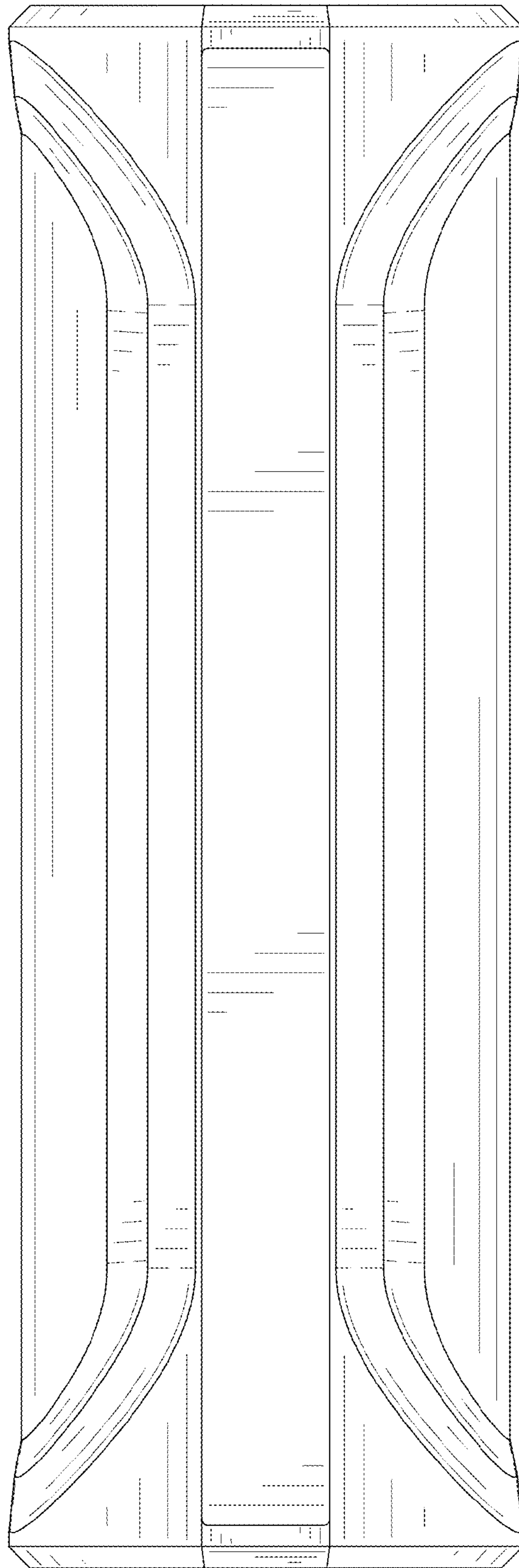


FIG. 12

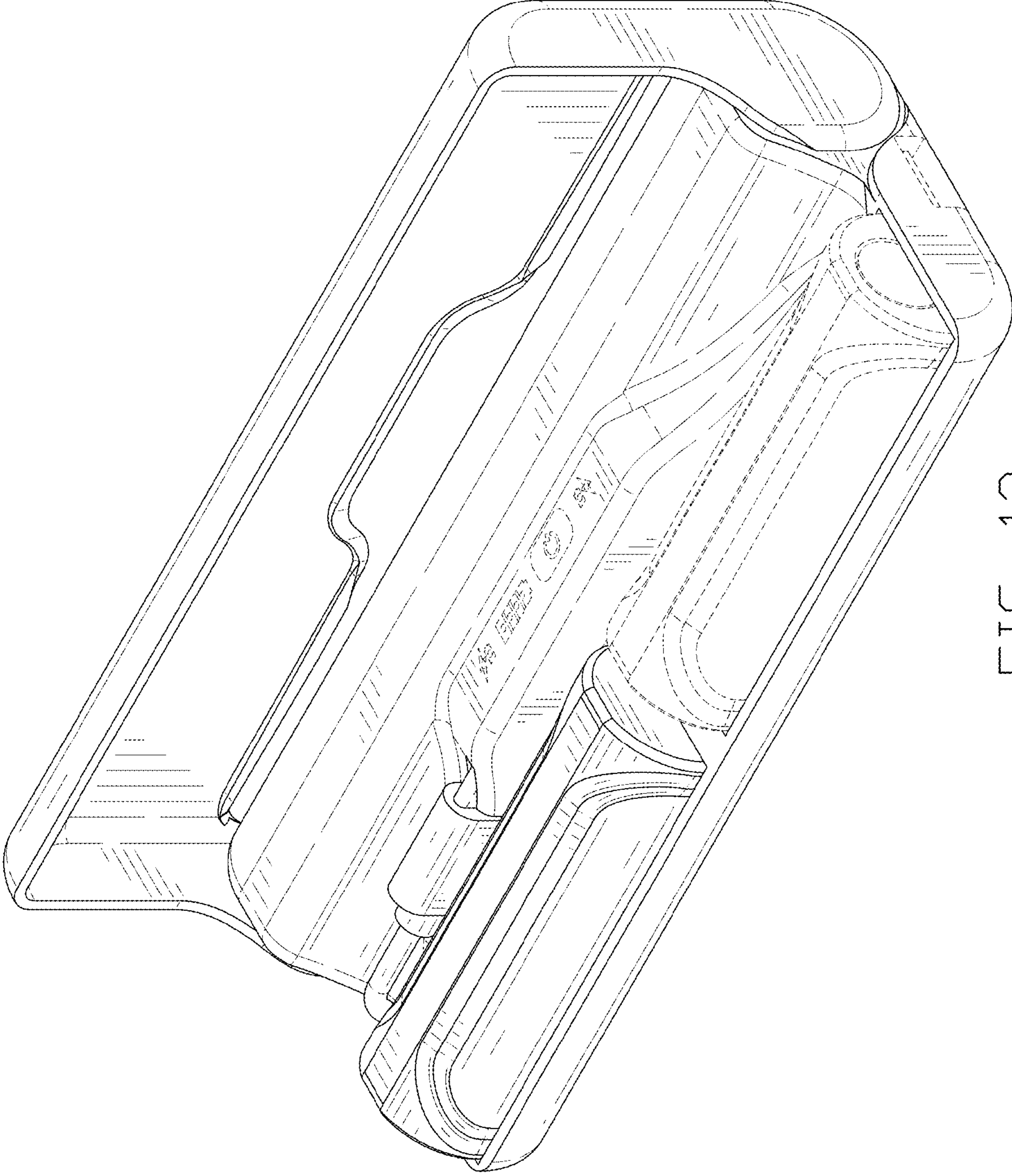


FIG. 13

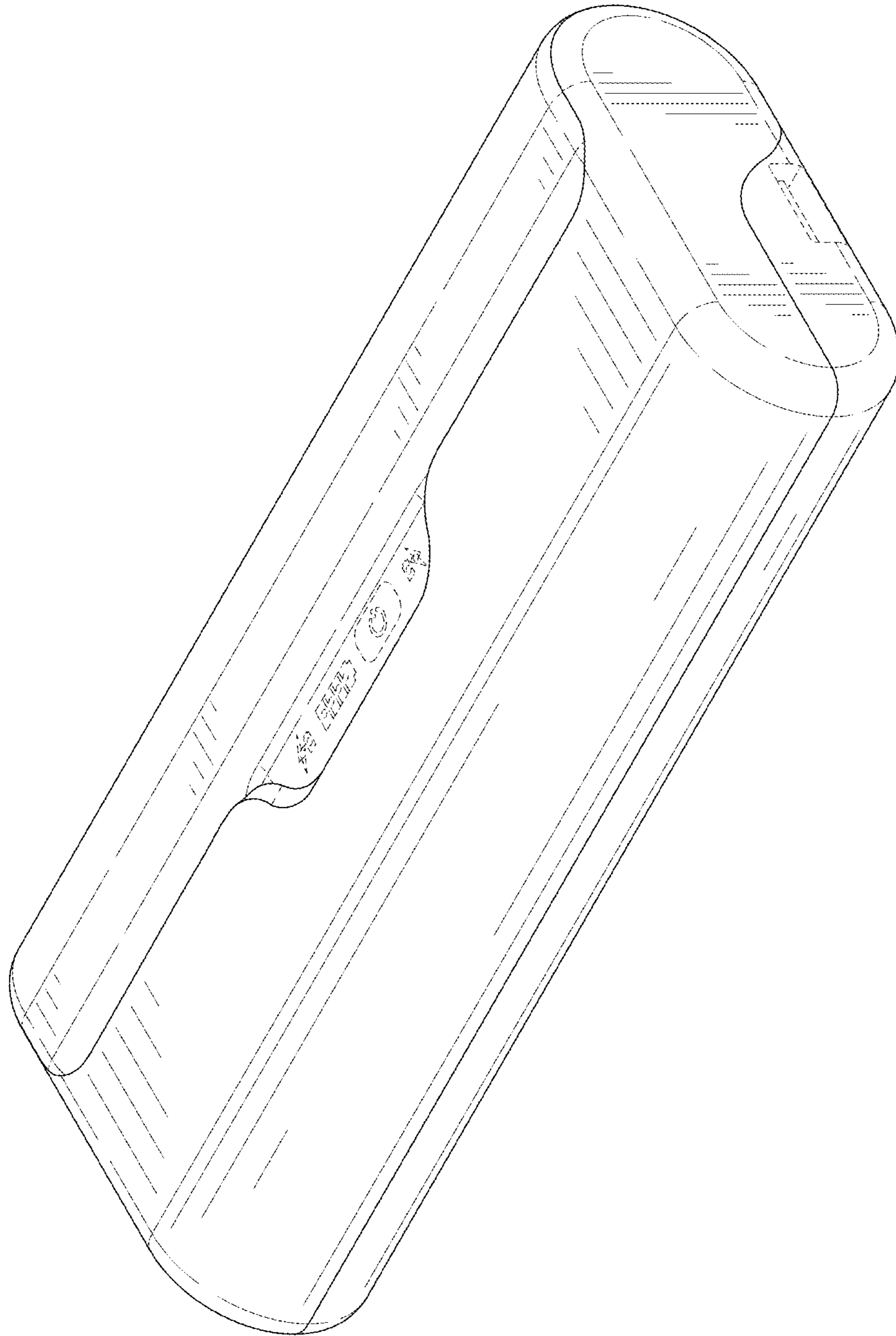


FIG. 14