



US00D973849S

(12) **United States Design Patent** (10) **Patent No.:** **US D973,849 S**  
**Thompson et al.** (45) **Date of Patent:** **\*\* Dec. 27, 2022**

(54) **PIPE FITTING** D429,627 S \* 8/2000 Gradwell ..... D23/262  
6,367,783 B1 4/2002 Raftis  
6,378,912 B1 4/2002 Condon et al.  
(71) Applicant: **Mustang Sampling LLC**, Ravenswood, WV (US) D463,537 S \* 9/2002 Koza ..... D23/262  
6,488,318 B1 12/2002 Shim  
D470,577 S 2/2003 Knight et al.  
(72) Inventors: **Kenneth O. Thompson**, Ravenswood, WV (US); **Kevin Warner**, The Woodlands, TX (US); **William Paluch**, Jersey Village, TX (US) 6,726,161 B2 4/2004 Plump et al.  
6,938,690 B2 9/2005 Surjaatmadja  
D554,237 S 10/2007 Lewis et al.  
D576,477 S 9/2008 Levy  
D615,166 S 5/2010 Patti  
(73) Assignee: **Mustang Sampling, LLC**, Ravenswood, WV (US) D620,084 S \* 7/2010 Talamantez ..... D23/262  
7,793,679 B2 10/2010 Murphy et al.  
8,079,860 B1 12/2011 Zraik  
(Continued)

(\*\*) Term: **15 Years**

FOREIGN PATENT DOCUMENTS

(21) Appl. No.: **35/002,011**

JP 4552125 \* 9/2010  
JP 4552125 B2 \* 9/2010

(22) Filed: **Mar. 16, 2021**

(Continued)

(80) **Hague Agreement Data**

*Primary Examiner* — Amy C Wierenga

Int. Filing Date: **Mar. 16, 2021**

(74) *Attorney, Agent, or Firm* — Cahn & Samuels, LLP

Int. Reg. No.: **DM/214337**

Int. Reg. Date: **Mar. 16, 2021**

Int. Reg. Pub. Date: **Sep. 17, 2021**

(57) **CLAIM**

The ornamental design for a pipe fitting, as shown and described.

(51) **LOC (13) Cl.** ..... **23-01**

(52) **U.S. Cl.**

USPC ..... **D23/259**; D15/21

(58) **Field of Classification Search**

USPC ..... D23/259, 262-263, 266; D8/382, 396; D15/21

CPC ..... G01N 1/22

See application file for complete search history.

**DESCRIPTION**

- 3. Pipe fitting
- 3.1 : Perspective
- 3.2 : Top
- 3.3 : Bottom
- 3.4 : Front
- 3.5 : Back
- 3.6 : Left
- 3.7 : Right
- 3.8 : Exploded

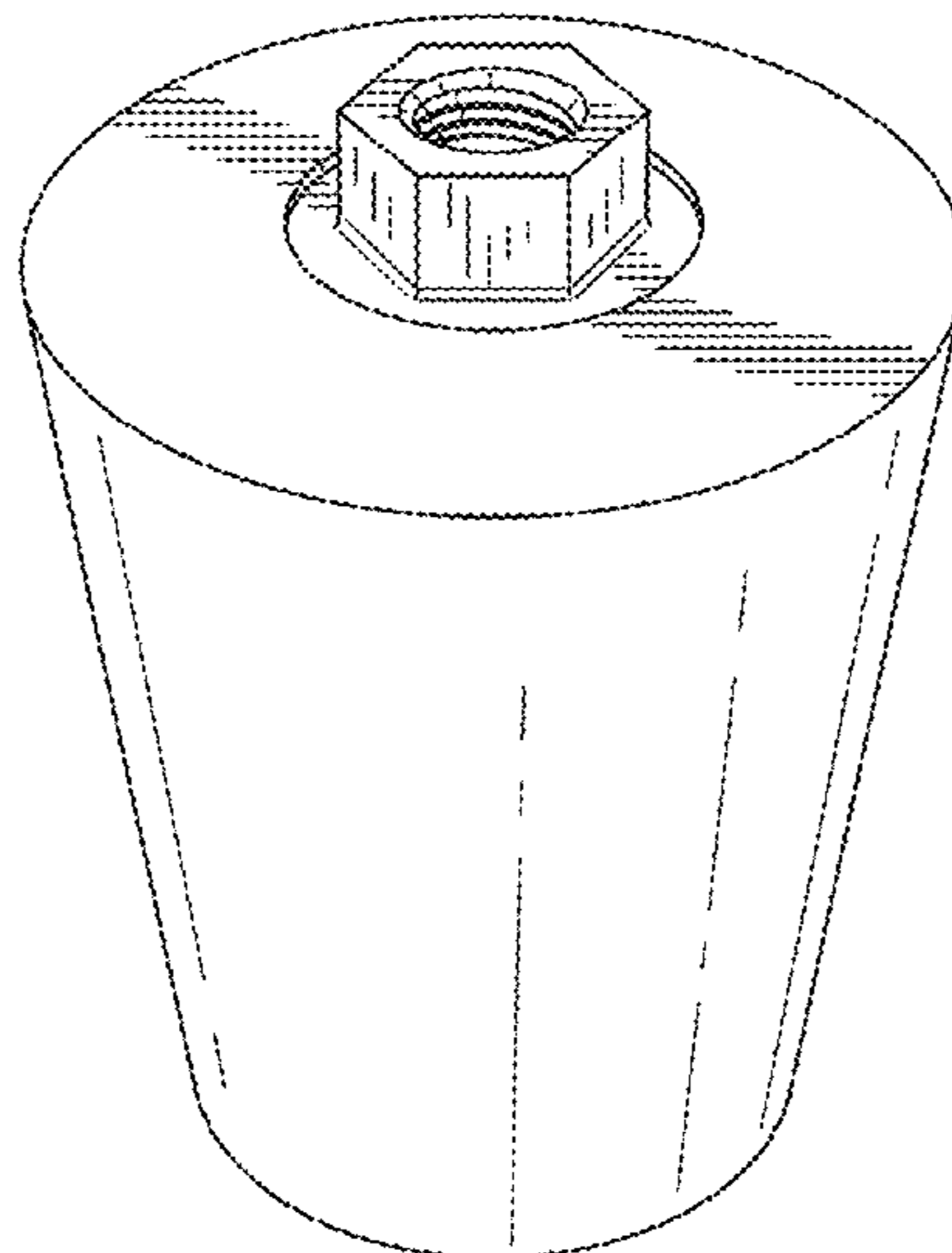
A pipe fitting comprising an in-line thermal isolator with a cylindrical insulating body, a projecting inlet end and a projecting outlet end and isolated component insert for the same.

(56) **References Cited**

U.S. PATENT DOCUMENTS

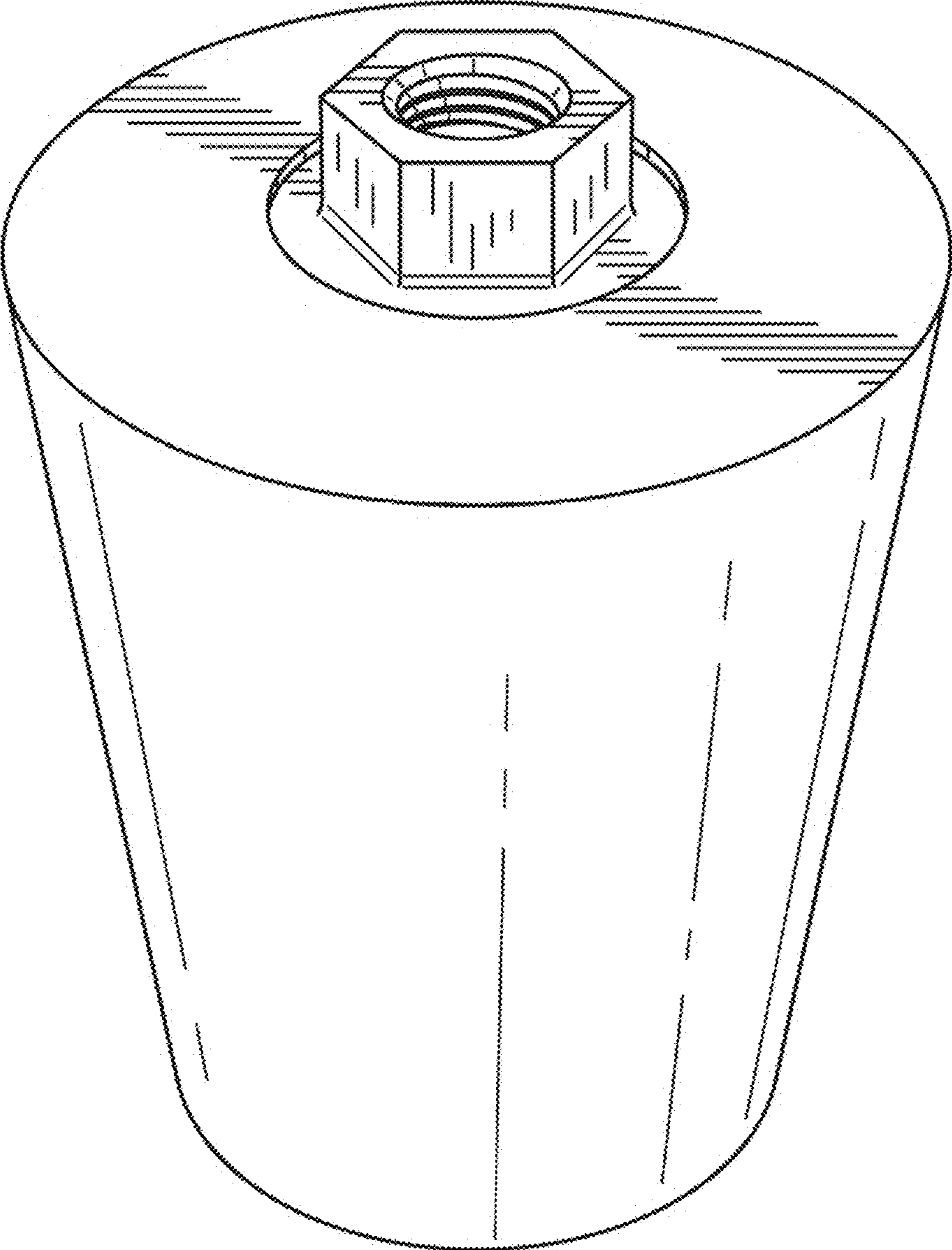
4,487,080 A 12/1984 Leaseburge et al.  
4,702,754 A 10/1987 Blocker  
4,795,175 A 1/1989 Babb et al.  
D318,102 S \* 7/1991 Papai ..... 285/239  
D397,413 S 8/1998 Sapp  
6,053,639 A 4/2000 Chen

**1 Claim, 8 Drawing Sheets**

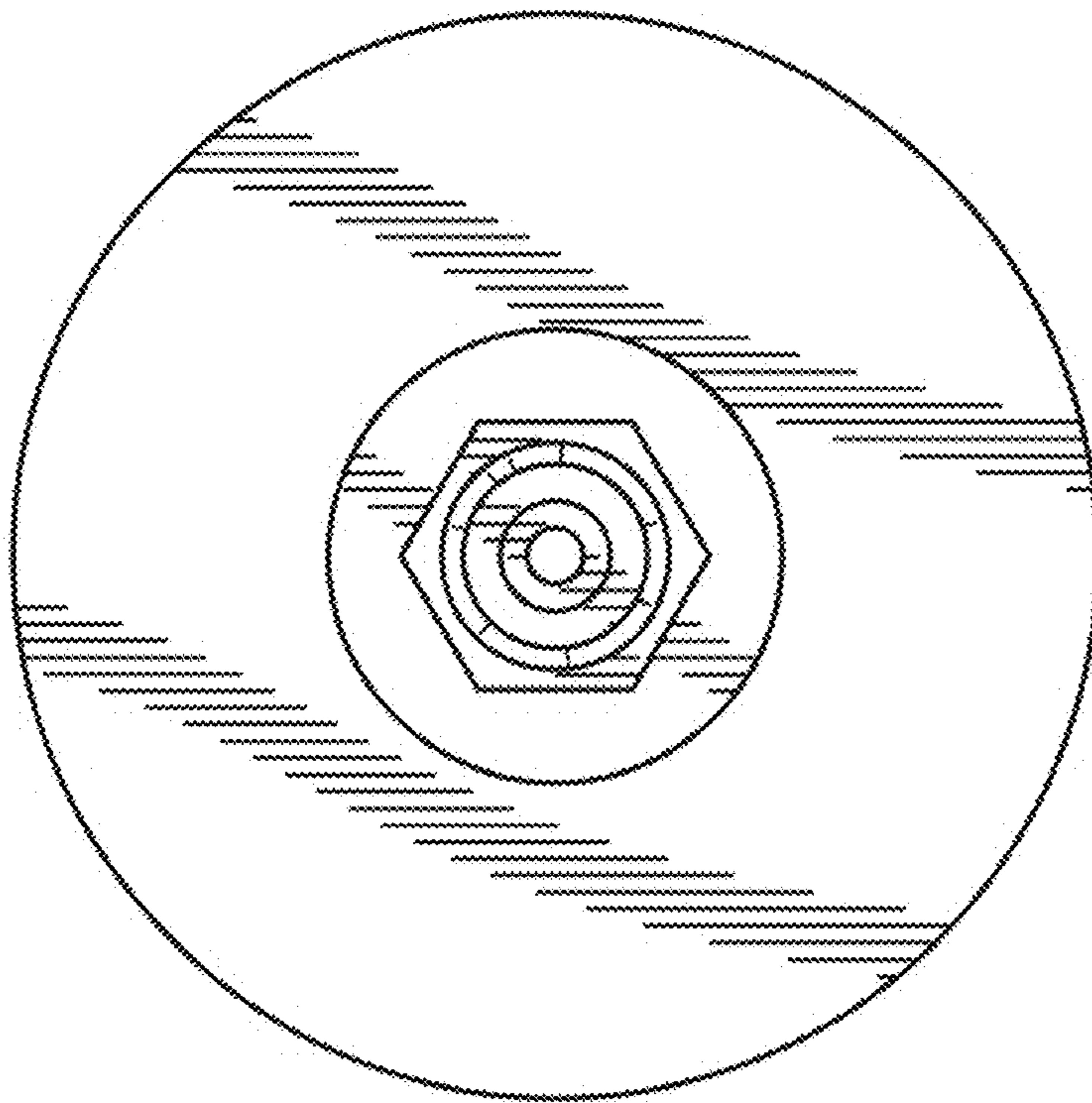




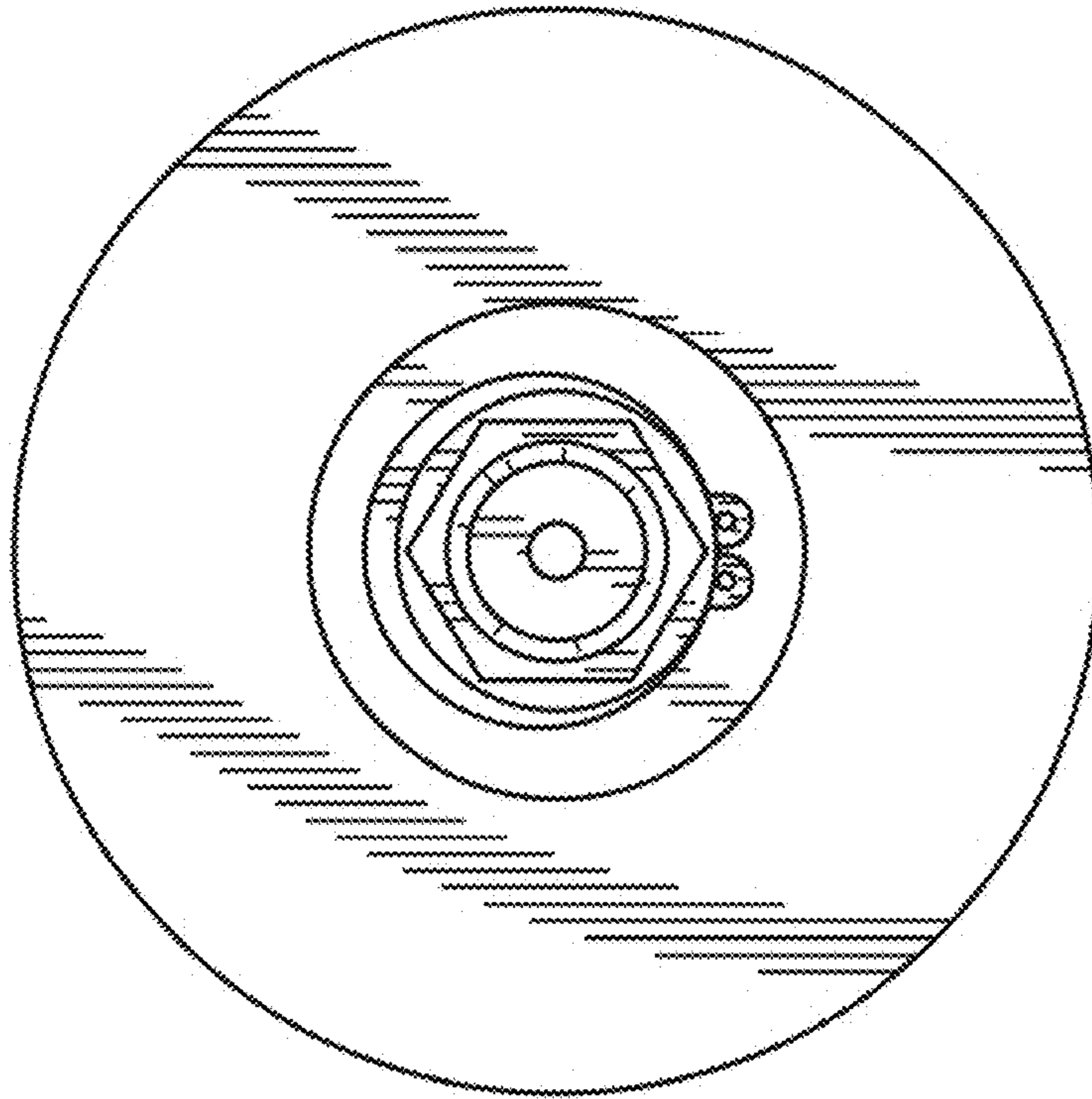
3.1



3.2

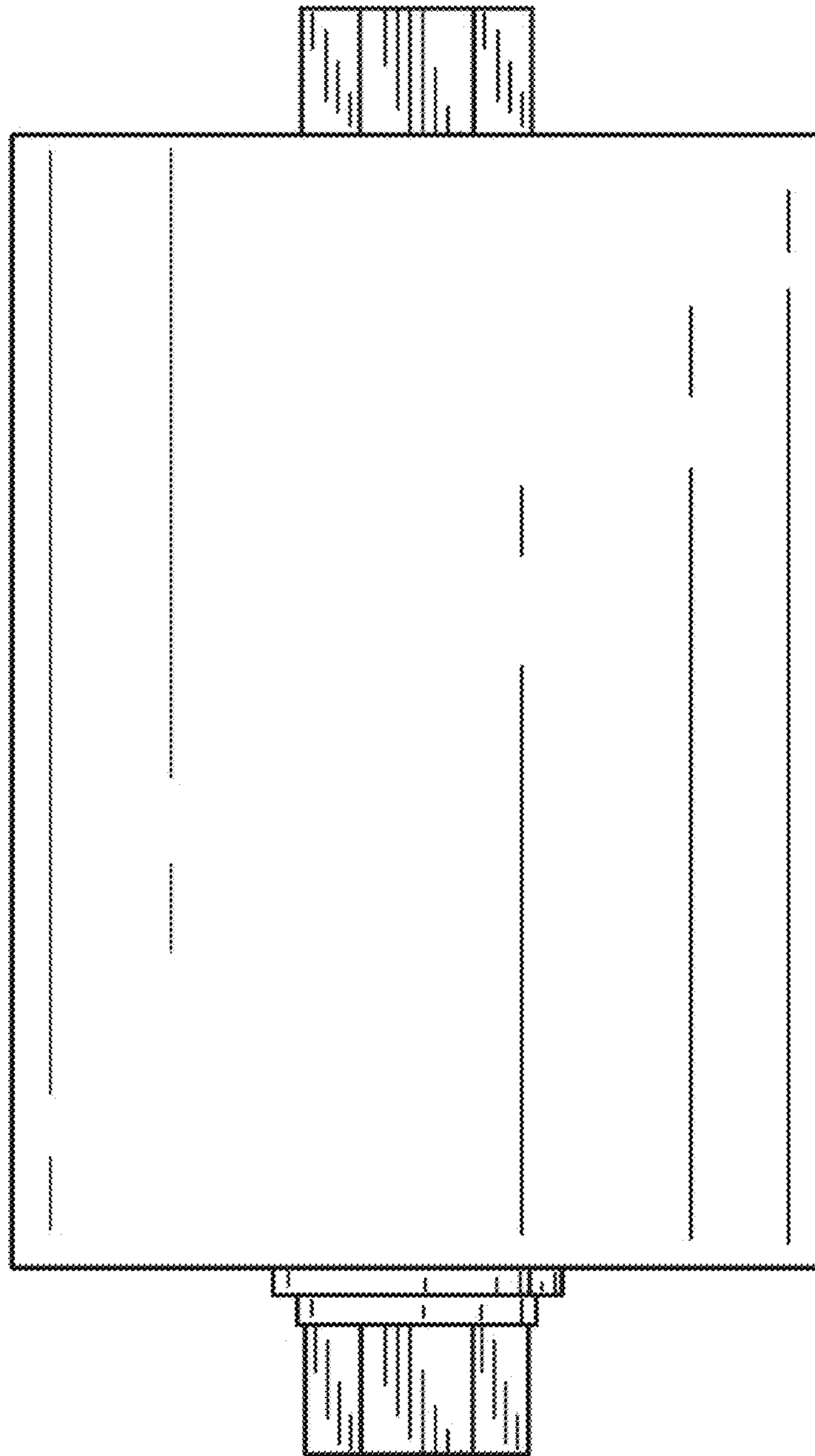


3.3

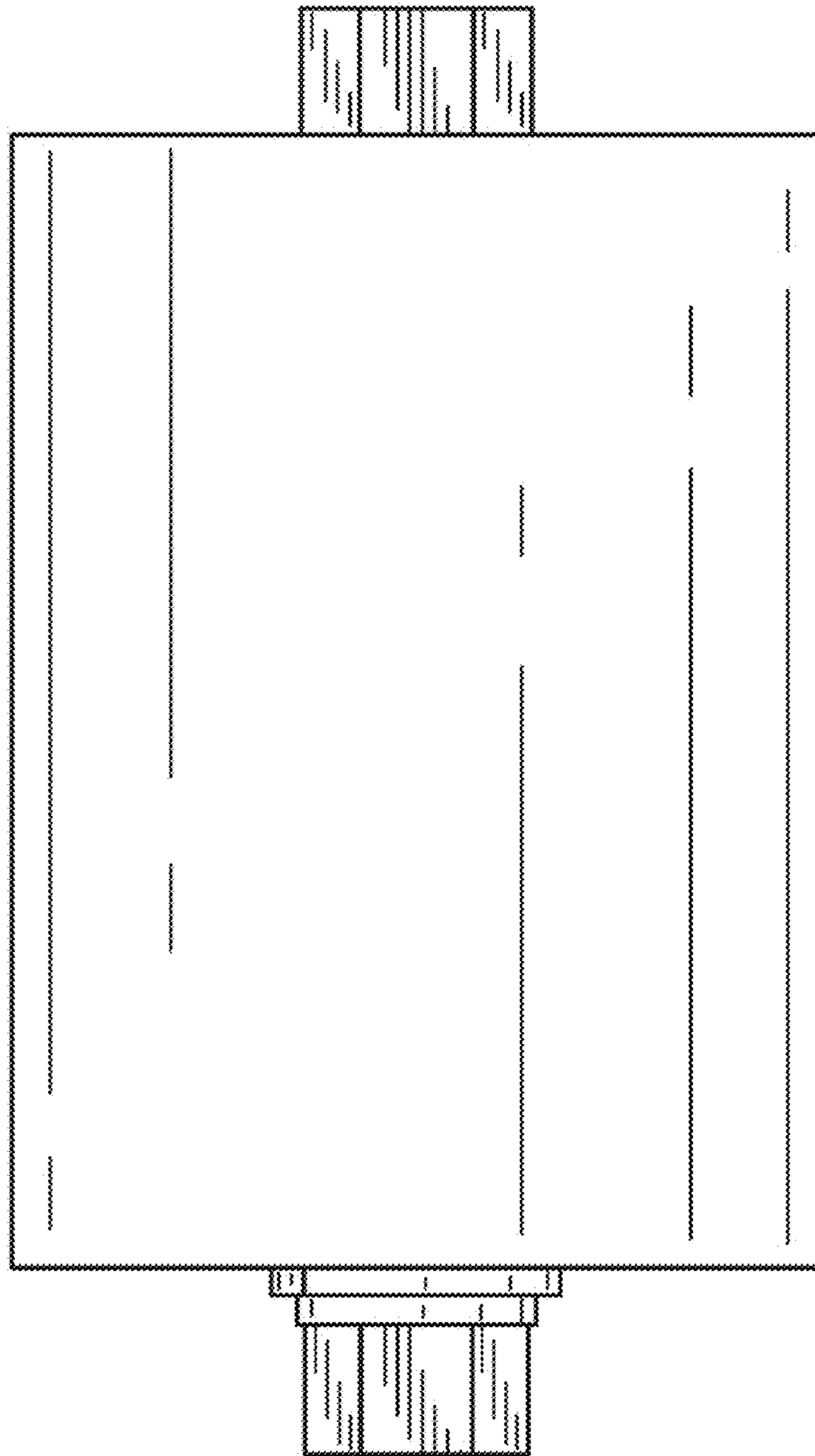




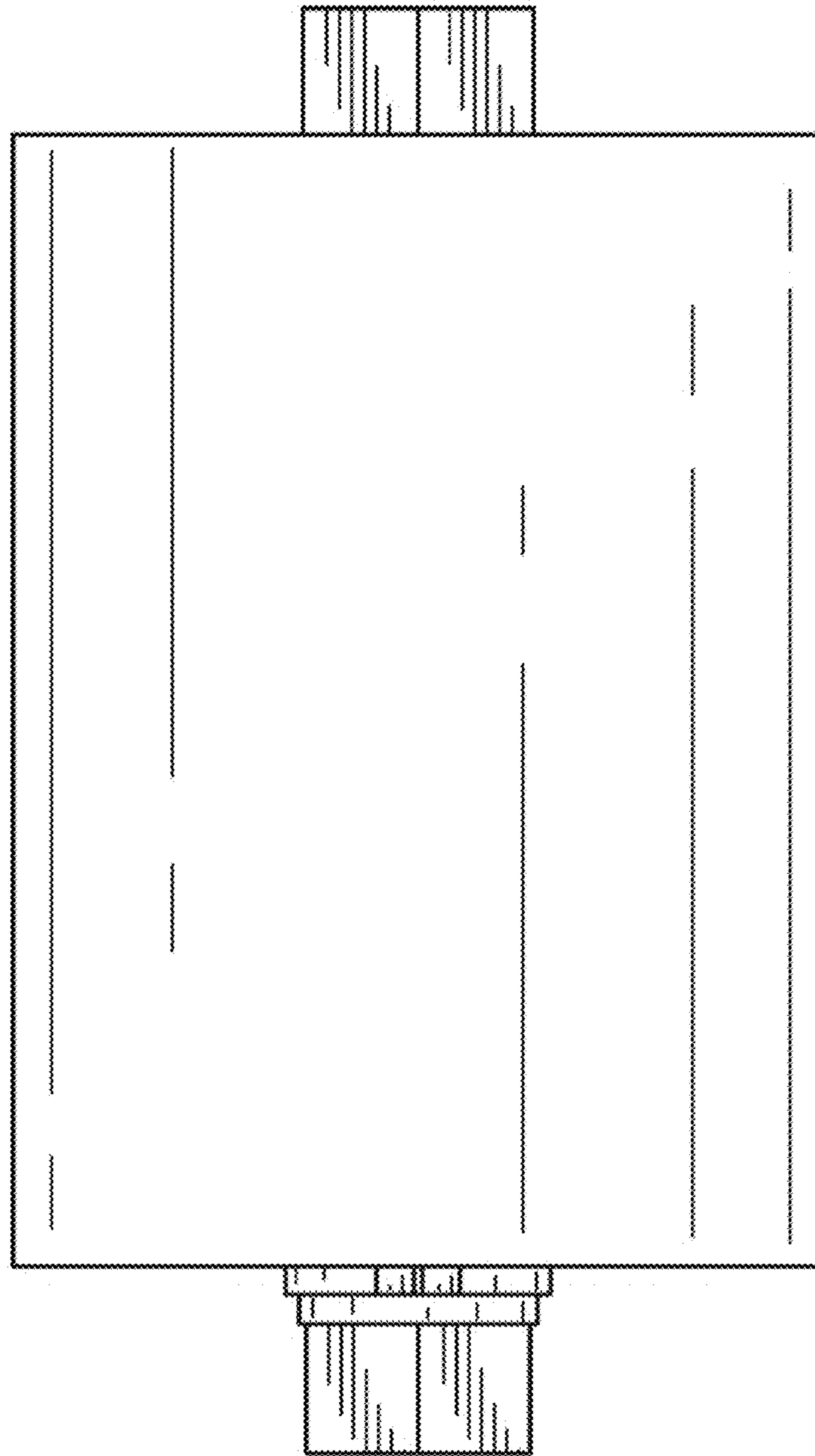
3.4



3.5

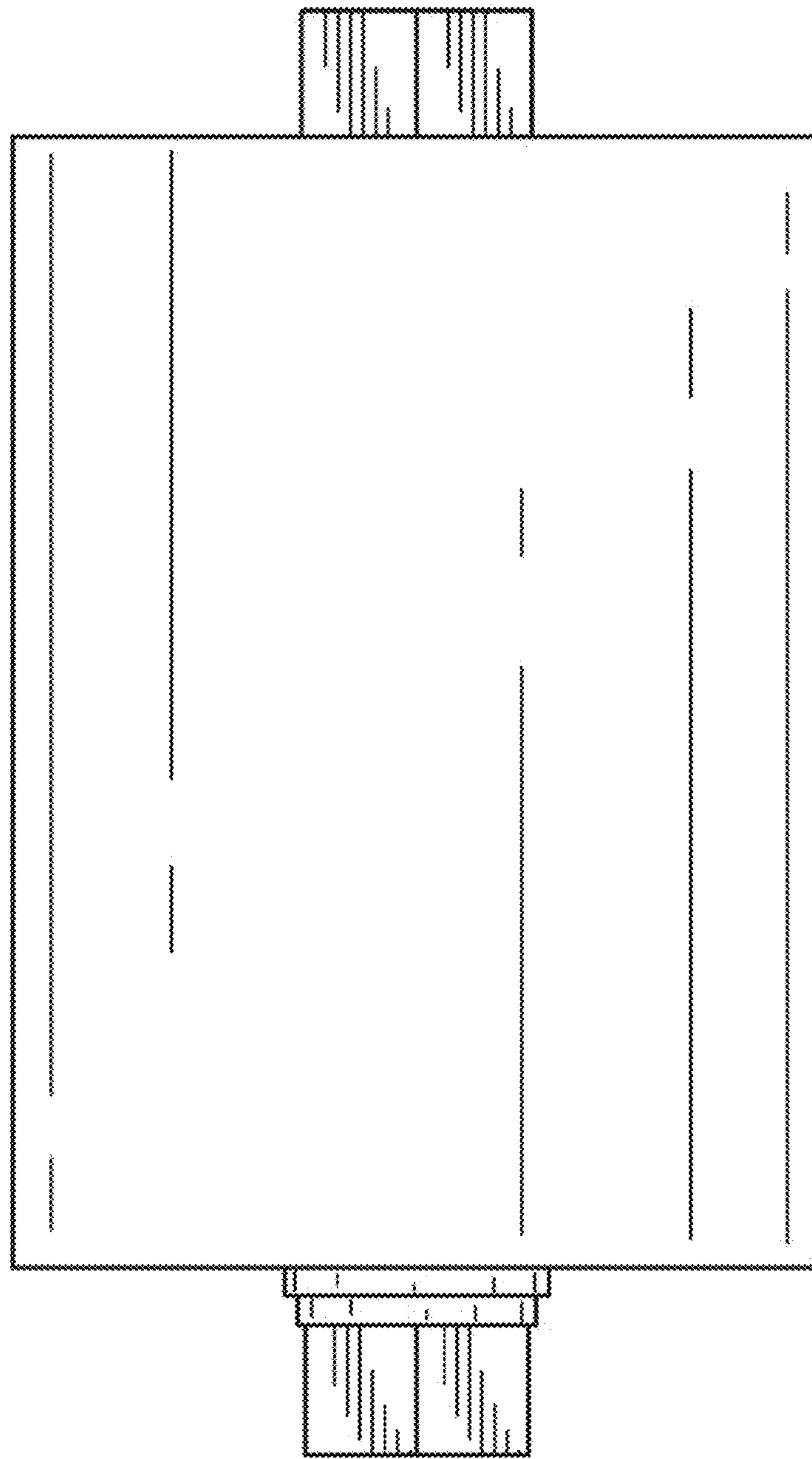


3.6





3.7



3.8

