



US00D973848S

(12) **United States Design Patent**
Chung

(10) **Patent No.:** **US D973,848 S**

(45) **Date of Patent:** **** Dec. 27, 2022**

(54) **VERTICAL FAUCET BODY**

(71) Applicant: **Greatness Sanitary Industrial Co., Ltd.**, Xiushui Township, Changhua County (TW)

(72) Inventor: **Wei-cheng Chung**, Xiushui Township (TW)

(73) Assignee: **Greatness Sanitary Industrial Co., Ltd.**, Xiushui Township (TW)

(**) Term: **15 Years**

(21) Appl. No.: **29/766,821**

(22) Filed: **Jan. 19, 2021**

(51) **LOC (13) Cl.** **23-01**

(52) **U.S. Cl.**
USPC **D23/255**

(58) **Field of Classification Search**
USPC D23/238-243, 249-250, 252
See application file for complete search history.

(56) **References Cited**

U.S. PATENT DOCUMENTS

D811,541 S * 2/2018 Yang D23/252

* cited by examiner

Primary Examiner — Robert A Delehanty

(74) *Attorney, Agent, or Firm* — Alan D. Kamrath; Karin L. Williams; Mayer & Williams PC

(57) **CLAIM**

The ornamental design for a vertical faucet body, as shown.

DESCRIPTION

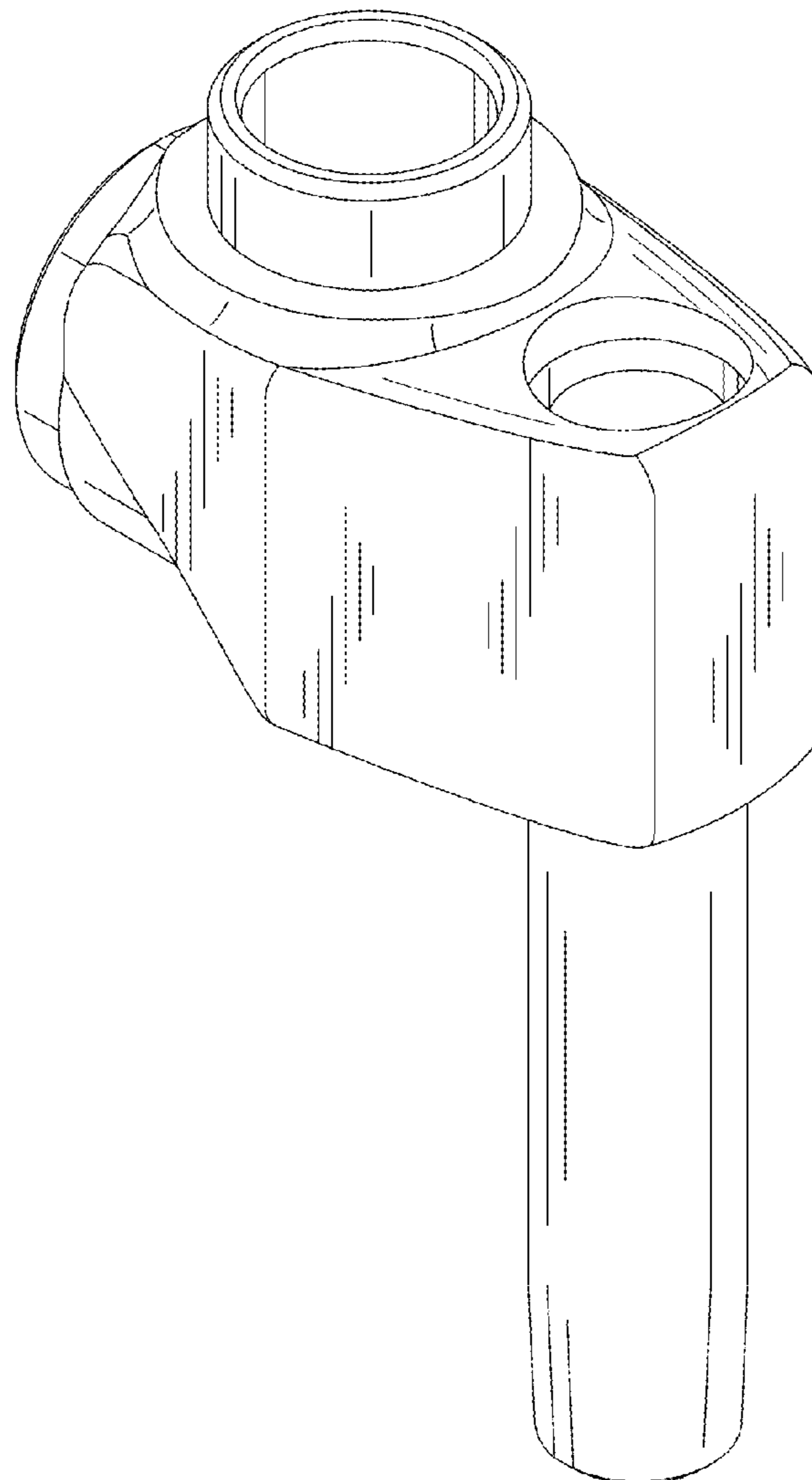
FIG. 1 is a perspective view of a vertical faucet body showing my new design;

FIG. 2 is a front view thereof;

FIG. 3 is a rear view thereof; and,

FIG. 4 is a right view thereof.

1 Claim, 4 Drawing Sheets



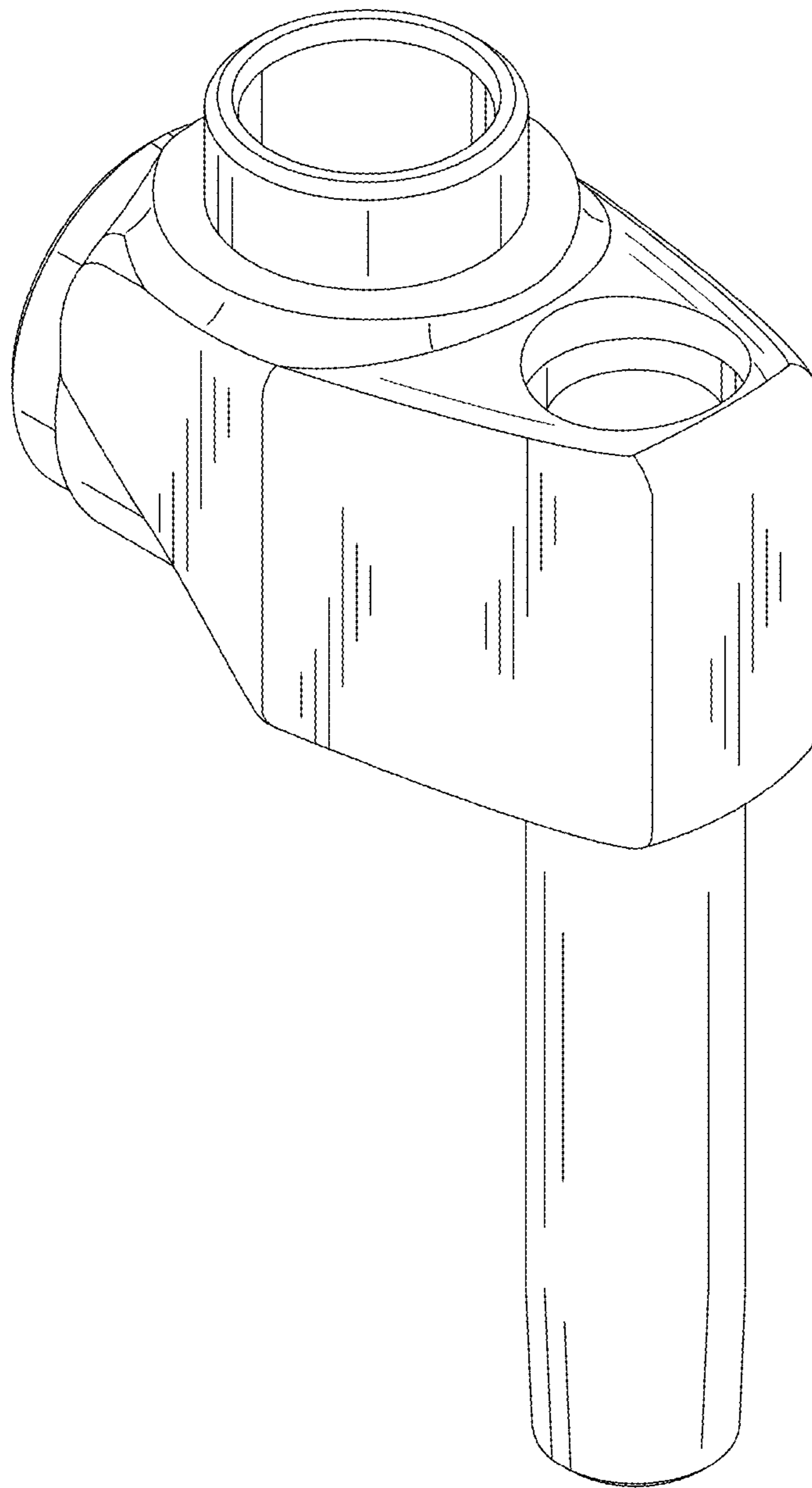


FIG. 1

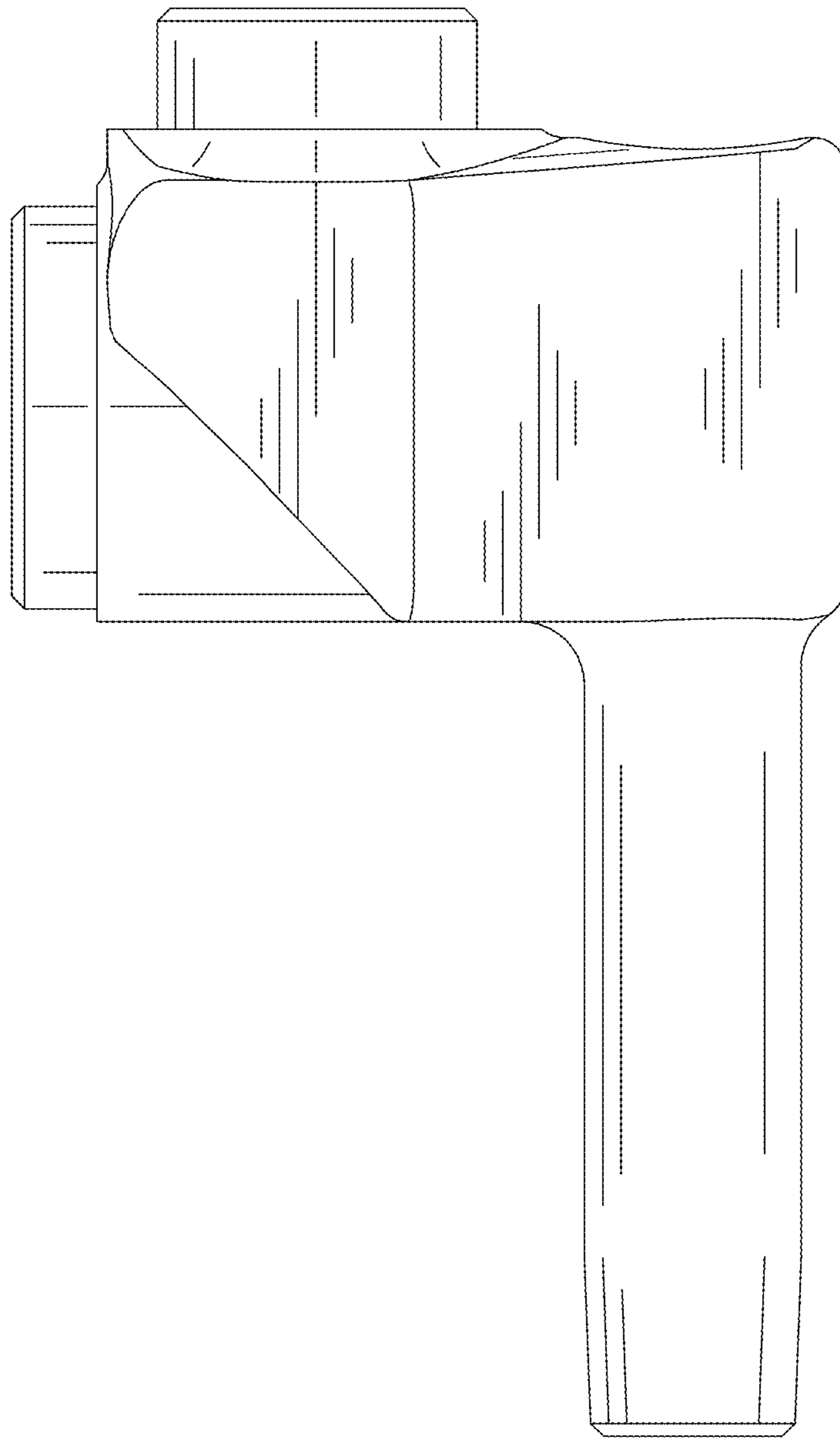


FIG. 2

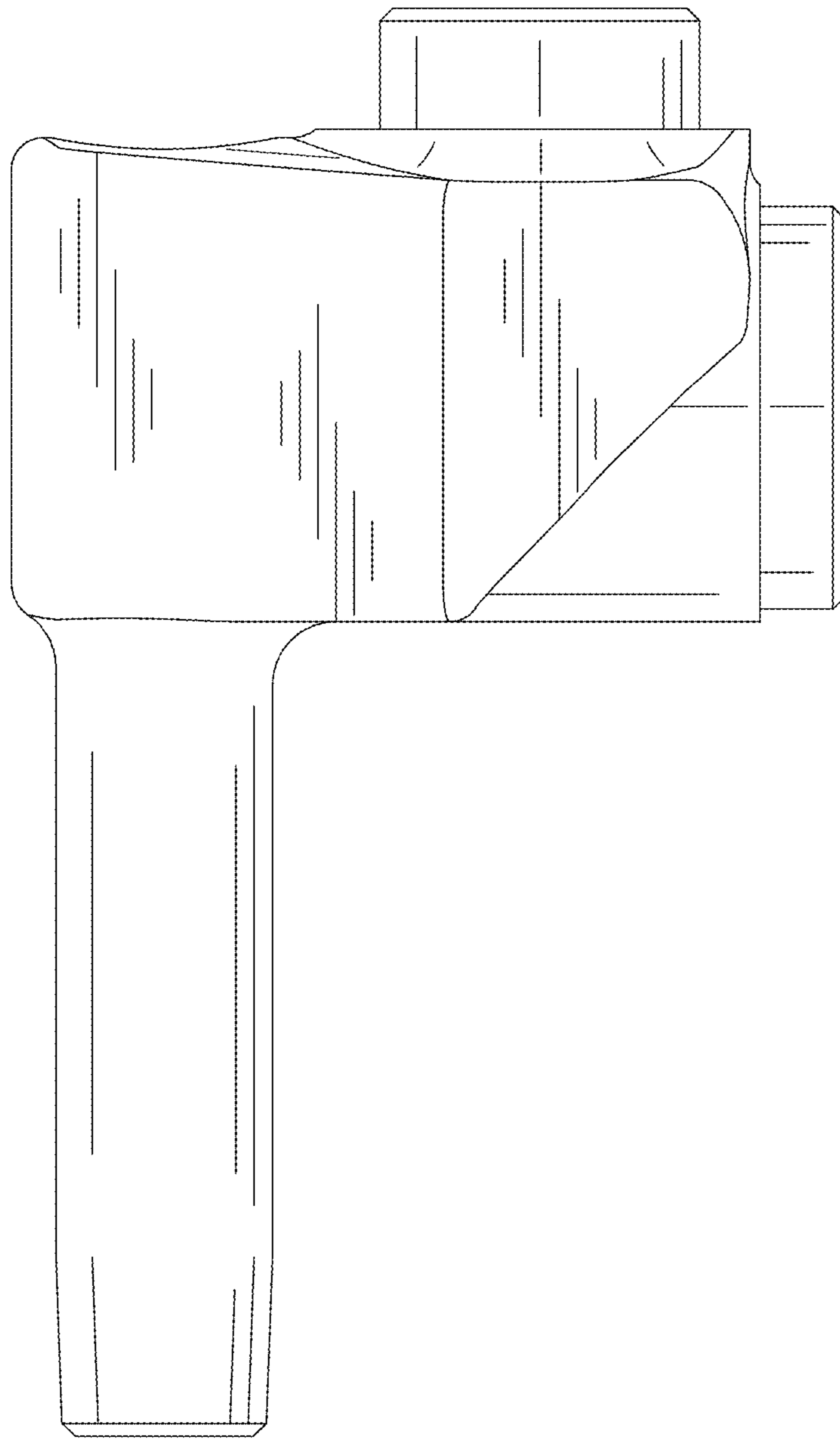


FIG. 3

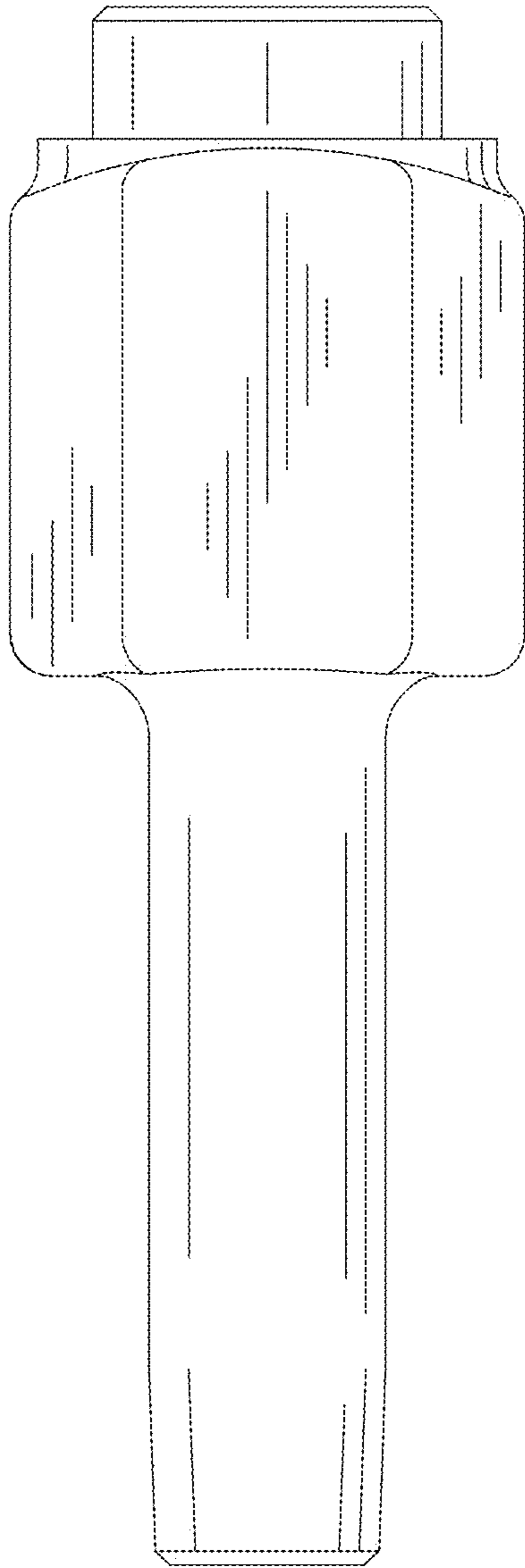


FIG. 4