



US00D973847S

(12) **United States Design Patent**
Zhang

(10) **Patent No.:** **US D973,847 S**

(45) **Date of Patent:** **** Dec. 27, 2022**

(54) **FAUCET SPOUT**

(71) Applicant: **Peijian Zhang**, Wenzhou (CN)

(72) Inventor: **Peijian Zhang**, Wenzhou (CN)

(**) Term: **15 Years**

(21) Appl. No.: **29/736,688**

(22) Filed: **Jun. 2, 2020**

(51) **LOC (13) Cl.** **23-01**

(52) **U.S. Cl.**
USPC **D23/255**

(58) **Field of Classification Search**
USPC D23/238, 241–243, 249, 255, 257
See application file for complete search history.

(56) **References Cited**

U.S. PATENT DOCUMENTS

D685,060 S *	6/2013	Yu	D23/238
D790,670 S *	6/2017	Downey	D23/255
D849,204 S *	5/2019	Feng	D23/238
D854,664 S *	7/2019	Chen	D23/255

D873,384 S *	1/2020	Guo	D23/255
D873,962 S *	1/2020	Fang	D23/238
D960,324 S *	8/2022	Zhang	D23/238

* cited by examiner

Primary Examiner — Robert A Delehanty

(74) *Attorney, Agent, or Firm* — Zhihua Han; Wen IP LLC

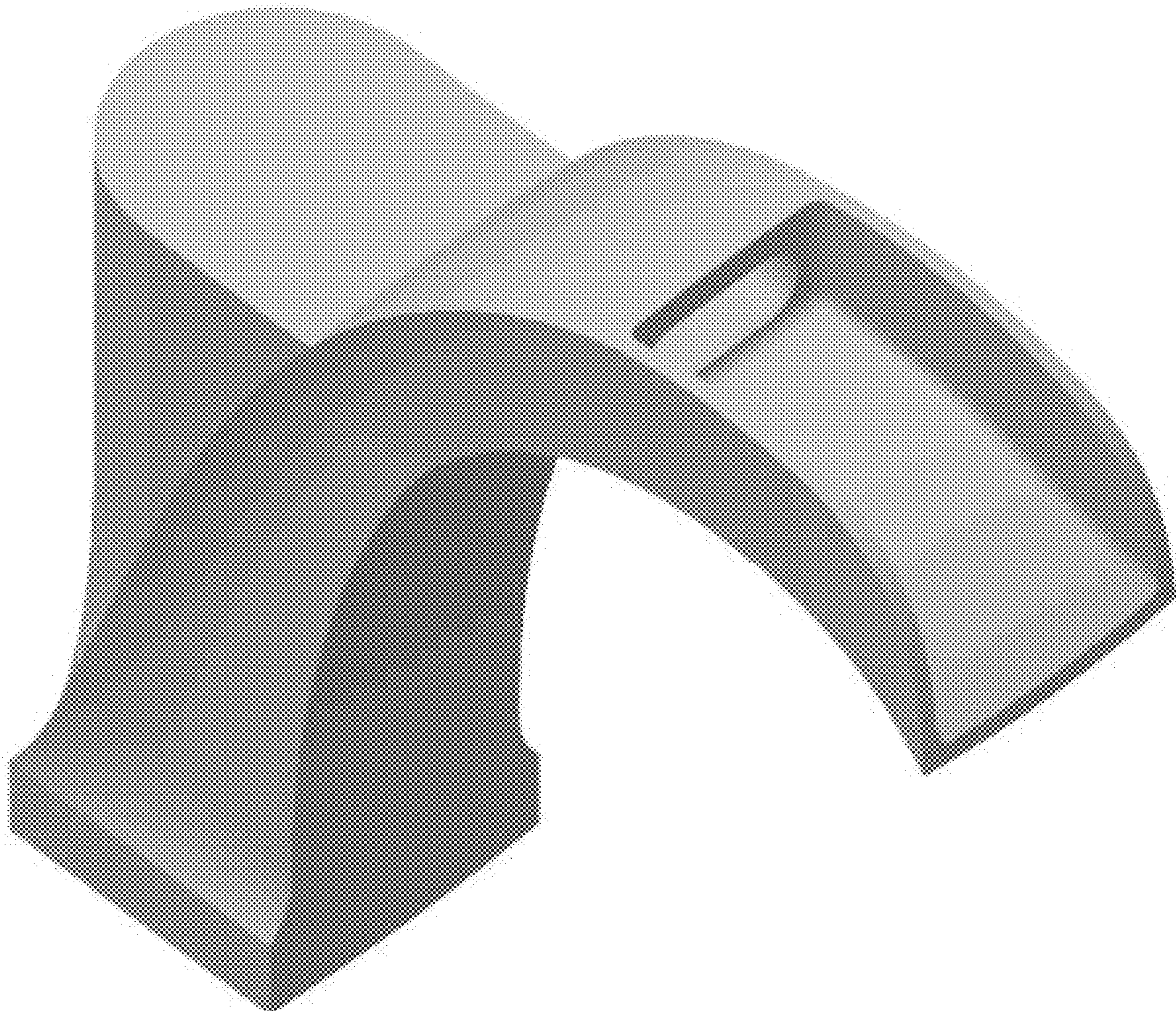
(57) **CLAIM**

I claim the ornamental design for a faucet spout, as shown and described.

DESCRIPTION

FIG. 1 is a perspective photographic view of a faucet spout, showing my new design;
FIG. 2 is a front photographic elevation view thereof;
FIG. 3 is a rear elevation photographic view thereof;
FIG. 4 is a left side elevation photographic view thereof;
FIG. 5 is a right side elevation photographic view thereof;
FIG. 6 is a top plan photographic view thereof; and,
FIG. 7 is a bottom plan photographic view thereof.

1 Claim, 7 Drawing Sheets



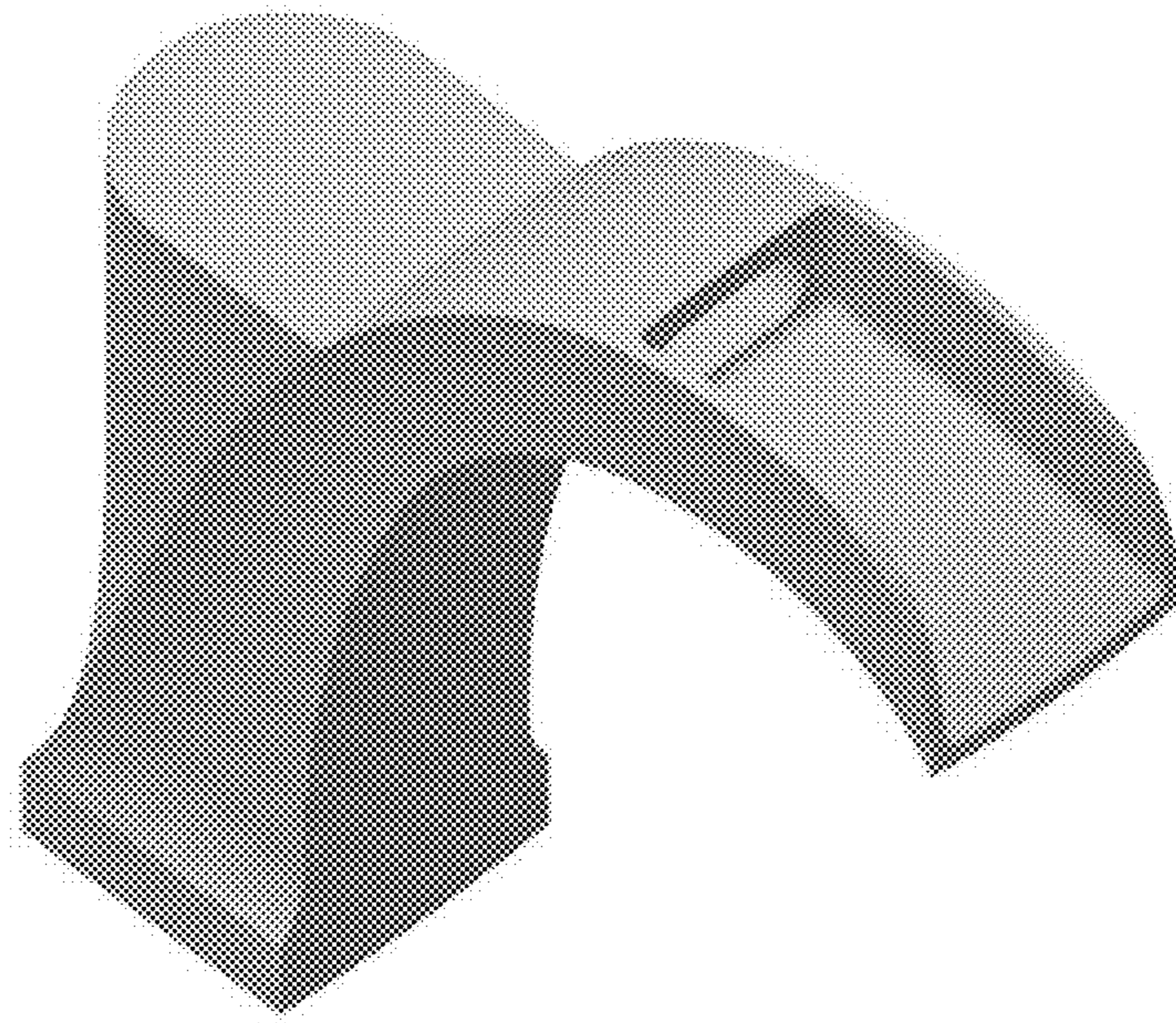


FIG. 1

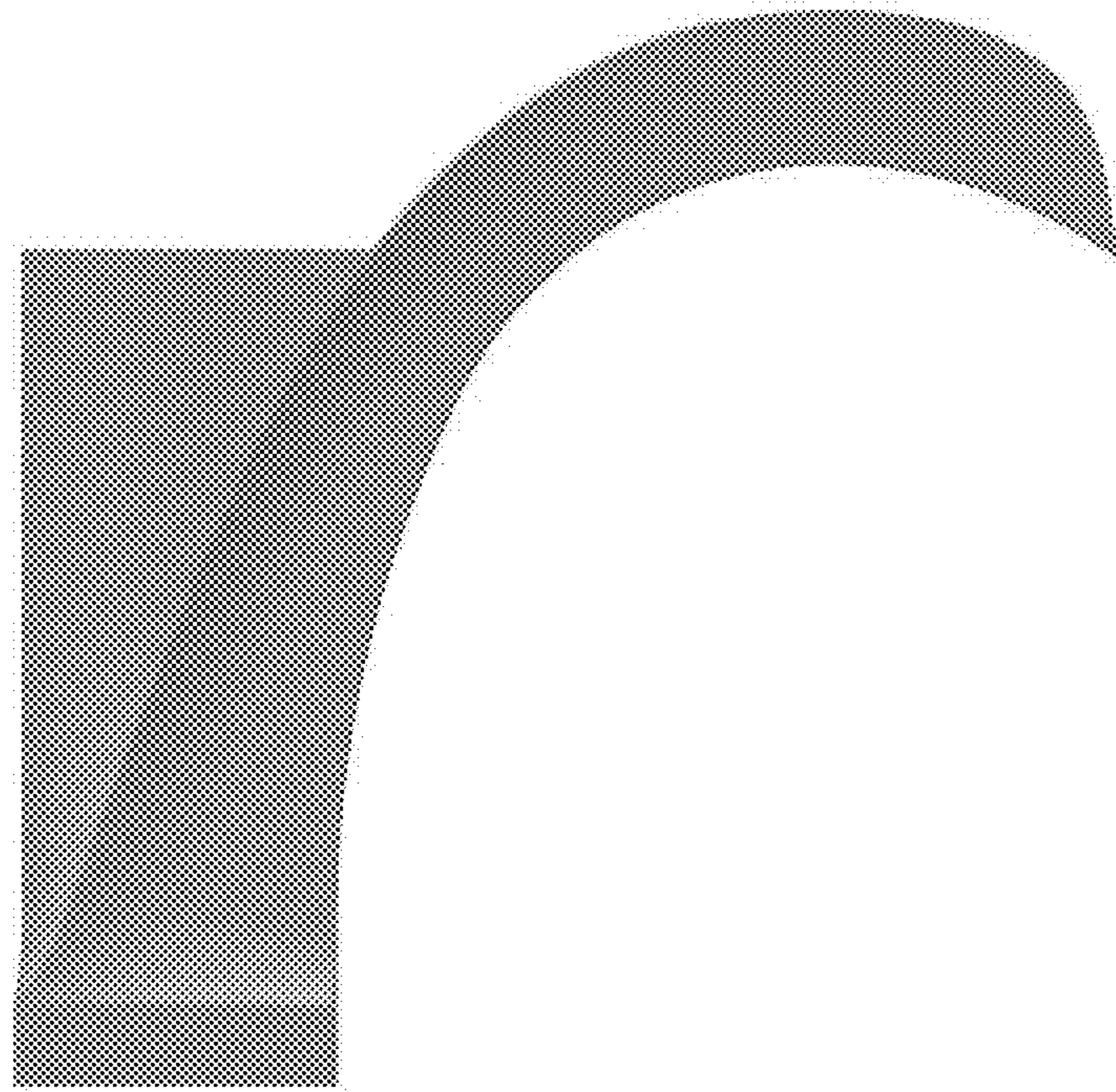


FIG. 2

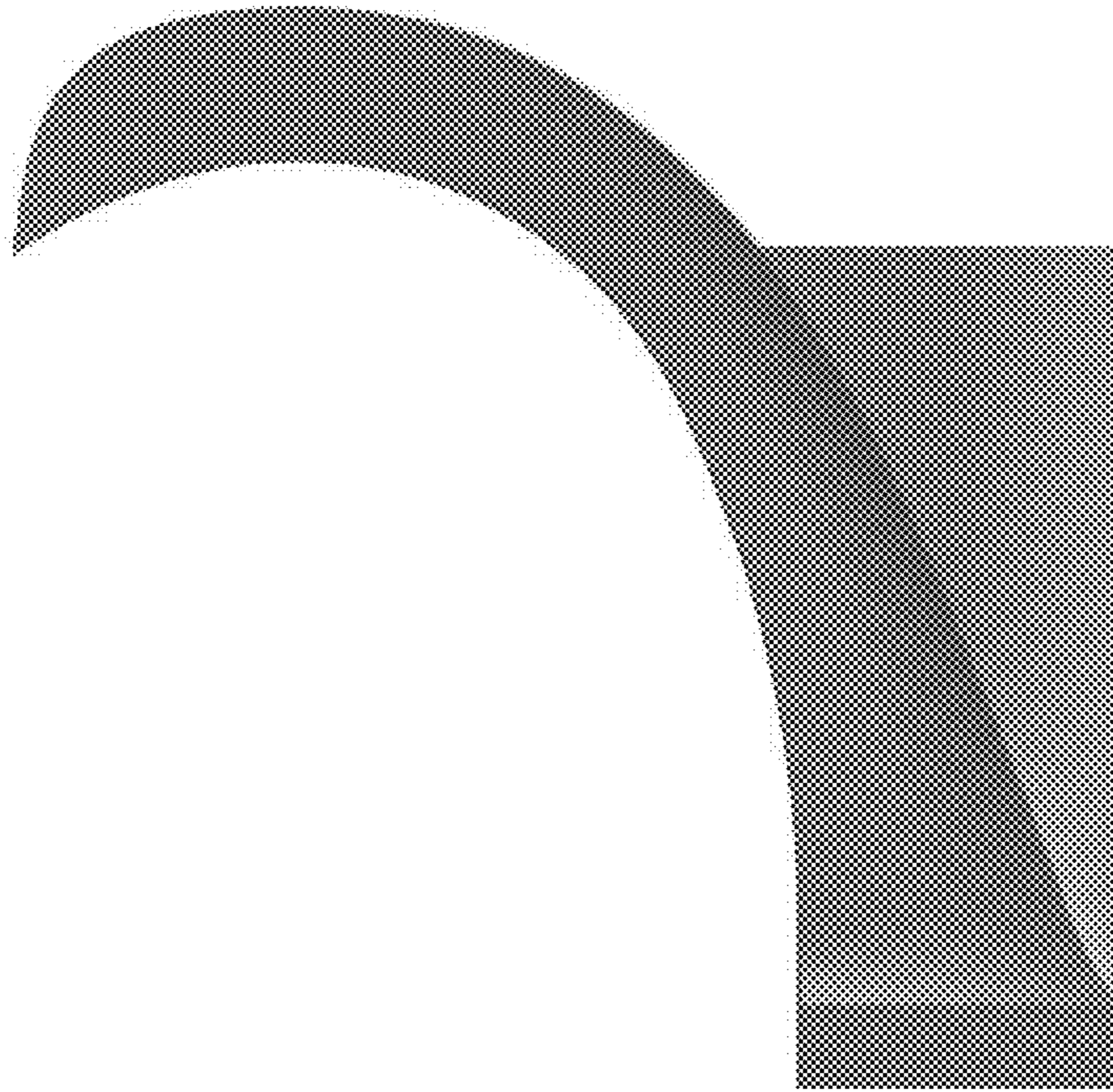


FIG. 3

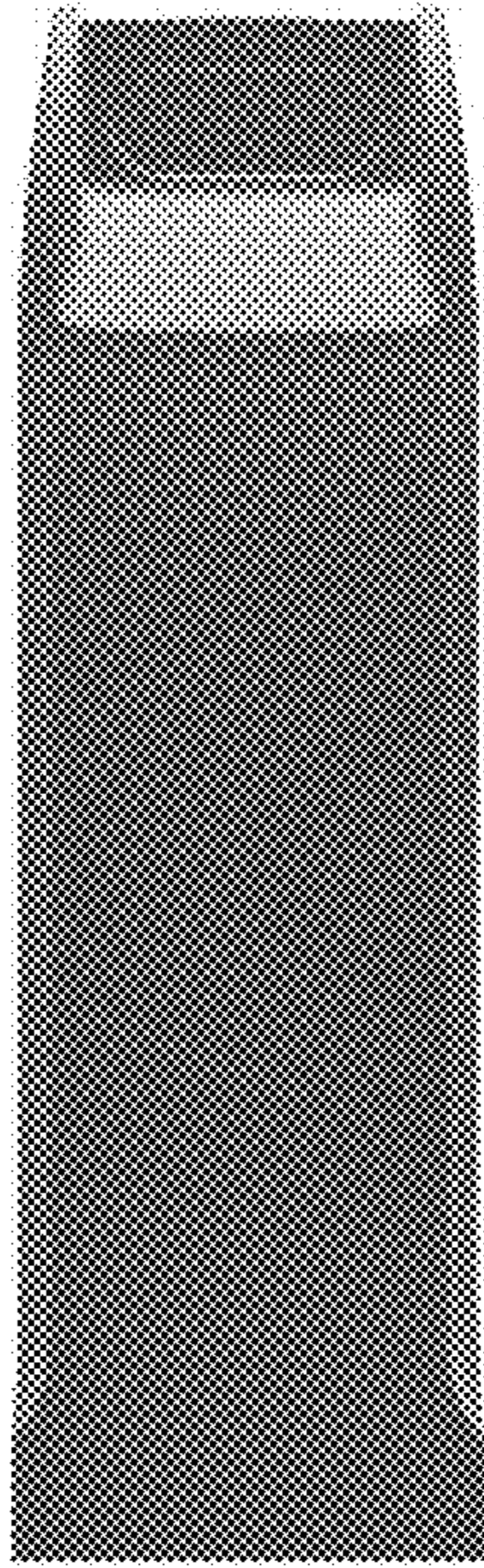


FIG. 4

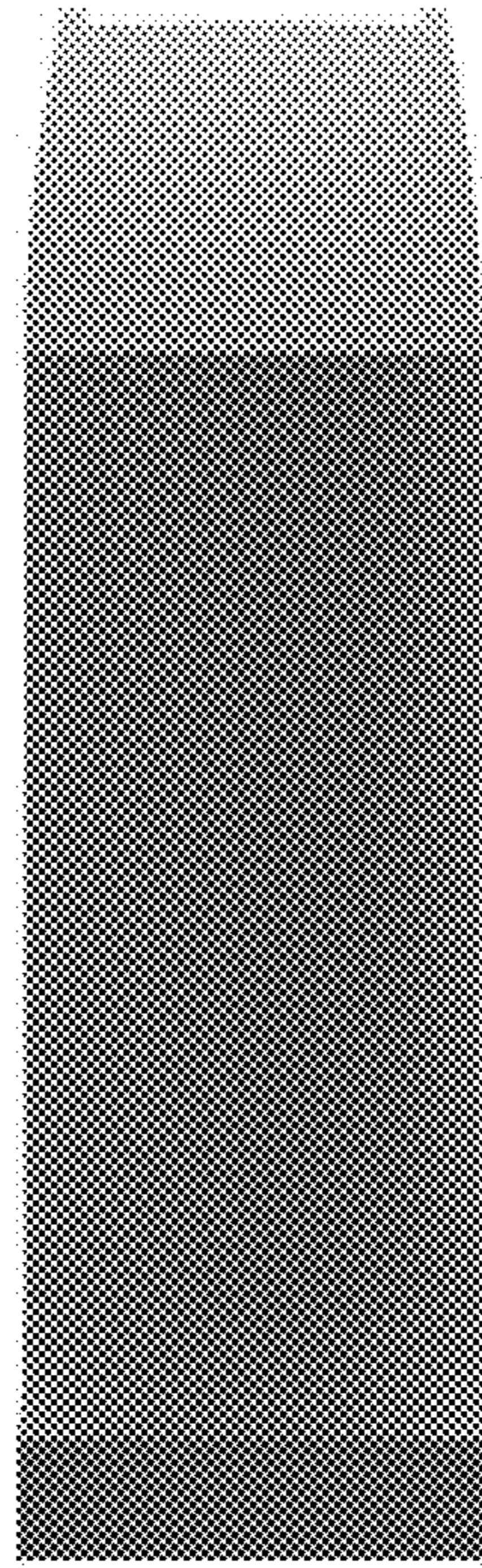


FIG. 5

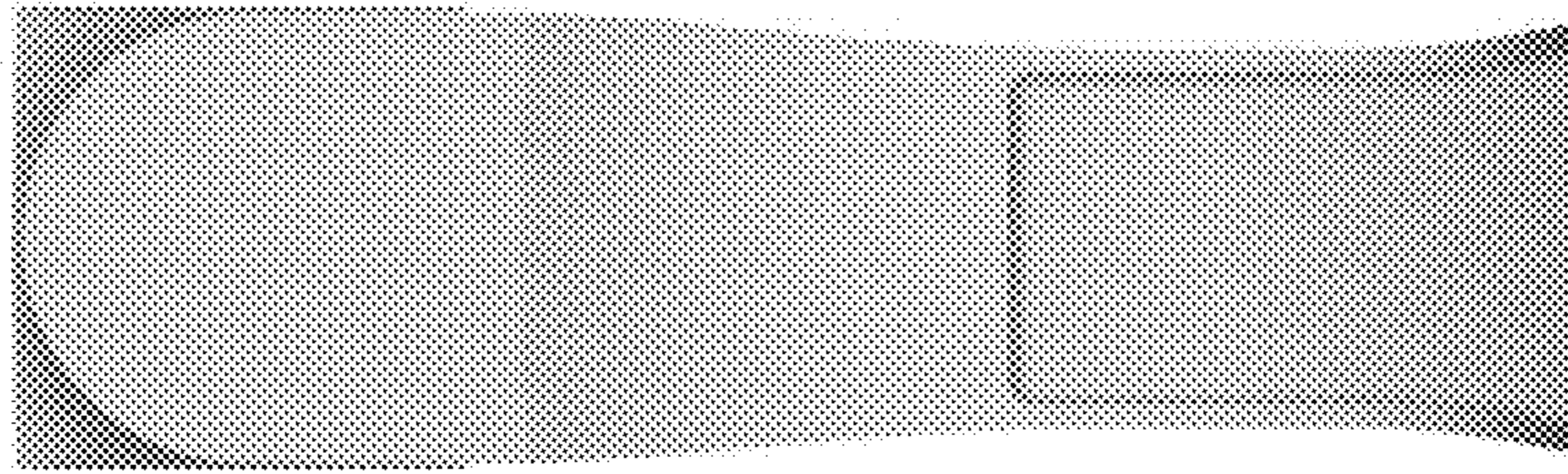


FIG. 6



FIG. 7