



US00D973846S

(12) **United States Design Patent**
Pan

(10) **Patent No.:** **US D973,846 S**
(45) **Date of Patent:** **** Dec. 27, 2022**

(54) **FAUCET**

(71) Applicant: **Shichuang Lighting (Shenzhen) Co., Ltd.**, Shenzhen (CN)

(72) Inventor: **Yu Pan**, Shenzhen (CN)

(73) Assignee: **Shichuang Lighting (Shenzhen) Co., Ltd.**, Shenzhen (CN)

(**) Term: **15 Years**

(21) Appl. No.: **29/828,215**

(22) Filed: **Feb. 24, 2022**

(51) **LOC (13) Cl.** **23-01**

(52) **U.S. Cl.**
USPC **D23/241**

(58) **Field of Classification Search**
USPC D23/238-243, 249-250, 252, 254-255,
D23/257; D8/307-308, 352-353
See application file for complete search history.

(56) **References Cited**

U.S. PATENT DOCUMENTS

D373,179 S *	8/1996	Sieger	D23/241
D466,982 S *	12/2002	Gerlach	D23/242
D535,725 S *	1/2007	Chu	D23/242
D564,073 S *	3/2008	Shieh	D23/238
D624,991 S *	10/2010	Kulig	D23/242

D697,590 S	1/2014	Standefer et al.	
D793,534 S *	8/2017	Fritz	D23/242
D834,148 S	11/2018	Thomas	
D912,781 S *	3/2021	He	D23/242

OTHER PUBLICATIONS

Amazon: Delta Faucet Nicoli Widespread Bathroom Faucet. https://www.amazon.com/dp/B084RG5TWY/ref=sspa_dk_detail_4?pf_rd_p=3481f441-61ac-4028-9c1a-7f9ce8ec50c5&pf_rd_r=EN90WZWNGY0YG0PY7DP5&pd_rd_wg=W0eOK&pd_rd_w=udLqv&content-id=amzn1.sym.3481f441-61ac-4028-9c1a-7f9ce8ec50c5&pd_rd_r=939652e0-30ce-46e6- (Year: 2020).*

* cited by examiner

Primary Examiner — Robert A Delehanty

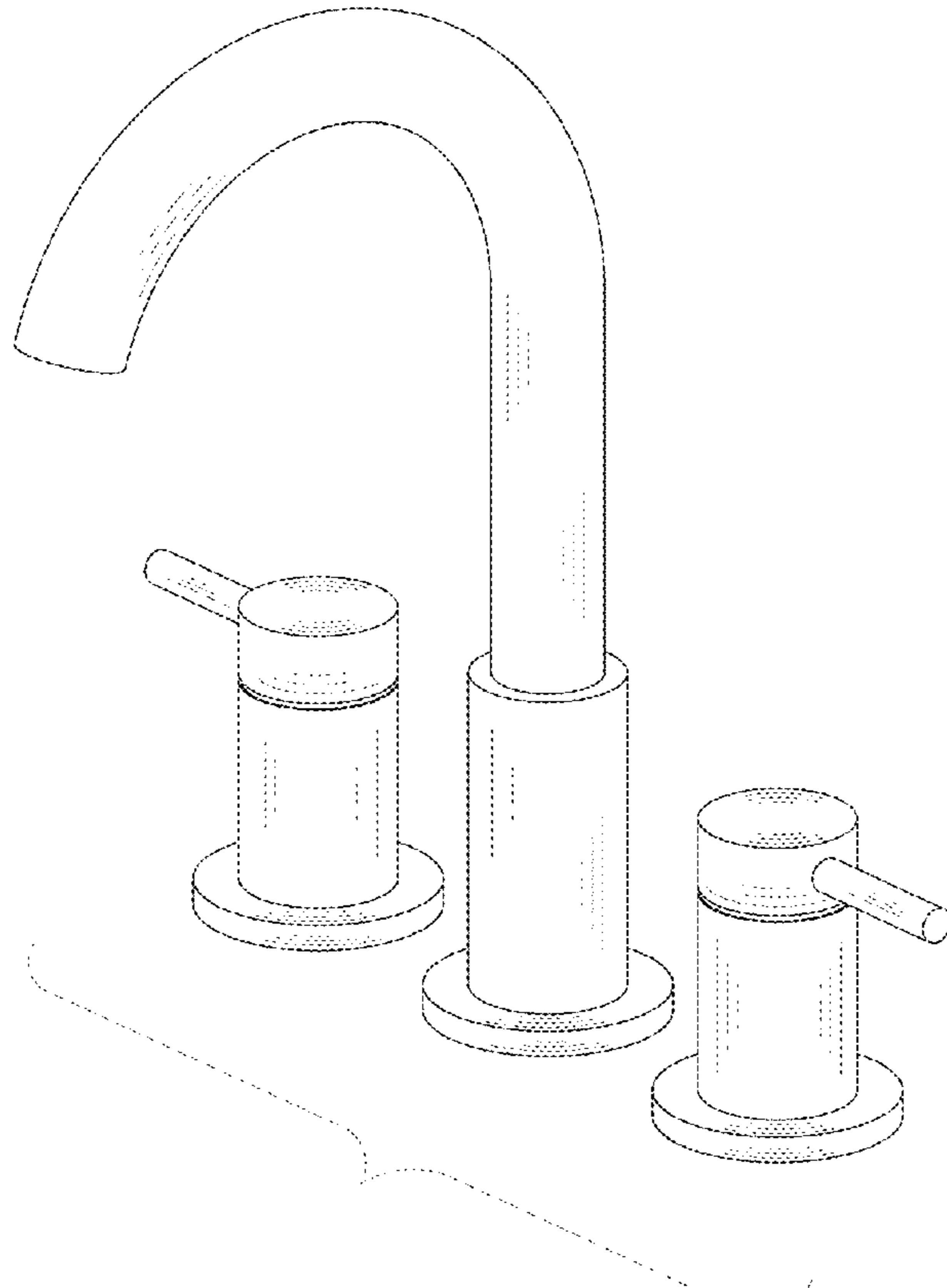
(57) **CLAIM**

The ornamental design for a faucet, substantially as shown and described.

DESCRIPTION

FIG. 1 is a perspective view of a faucet showing my new design;
FIG. 2 is a front view thereof;
FIG. 3 is a rear view thereof;
FIG. 4 is a left side view thereof;
FIG. 5 is a right side view thereof;
FIG. 6 is a top plan view thereof; and,
FIG. 7 is a bottom plan view thereof.

1 Claim, 7 Drawing Sheets



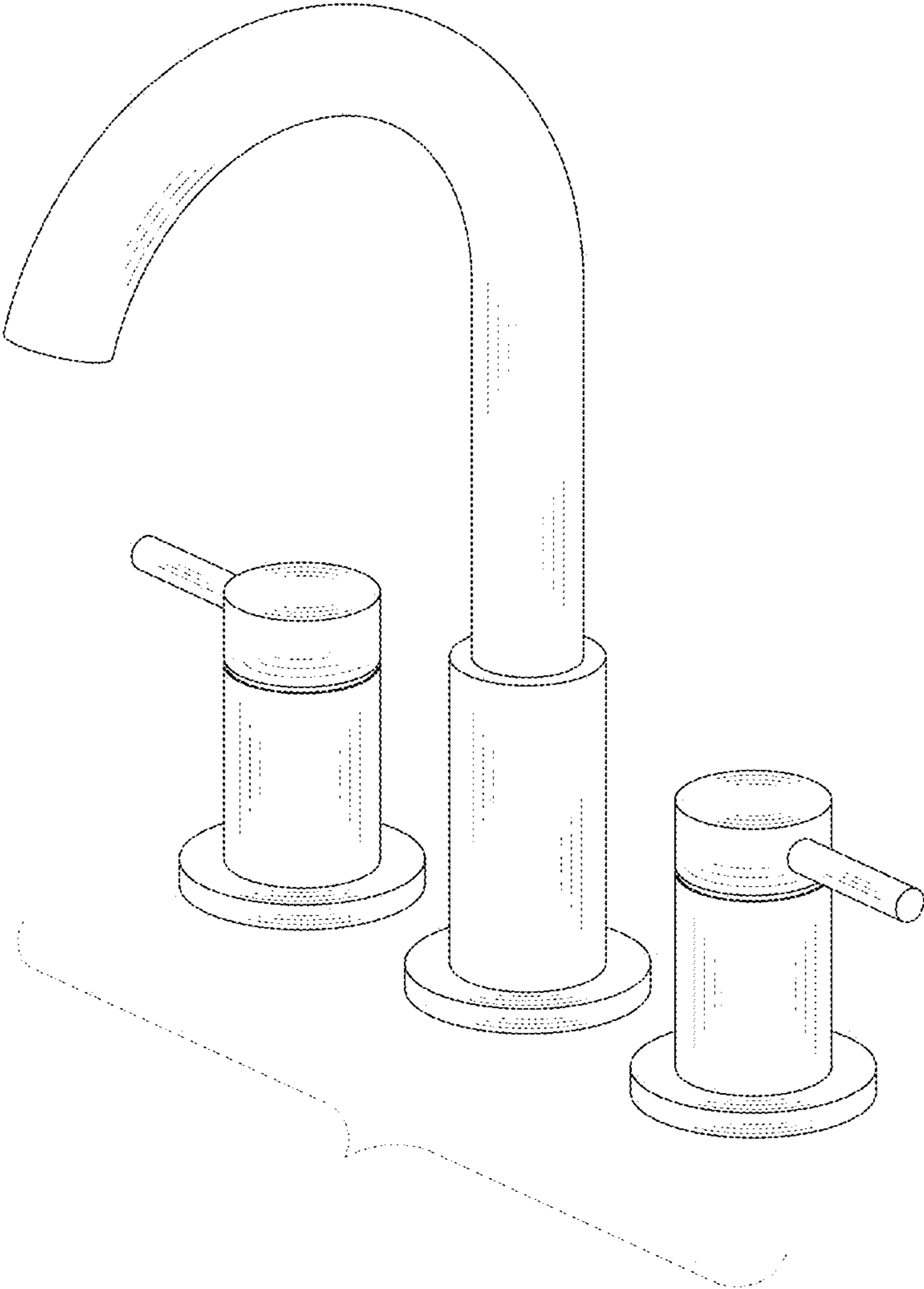


FIG. 1

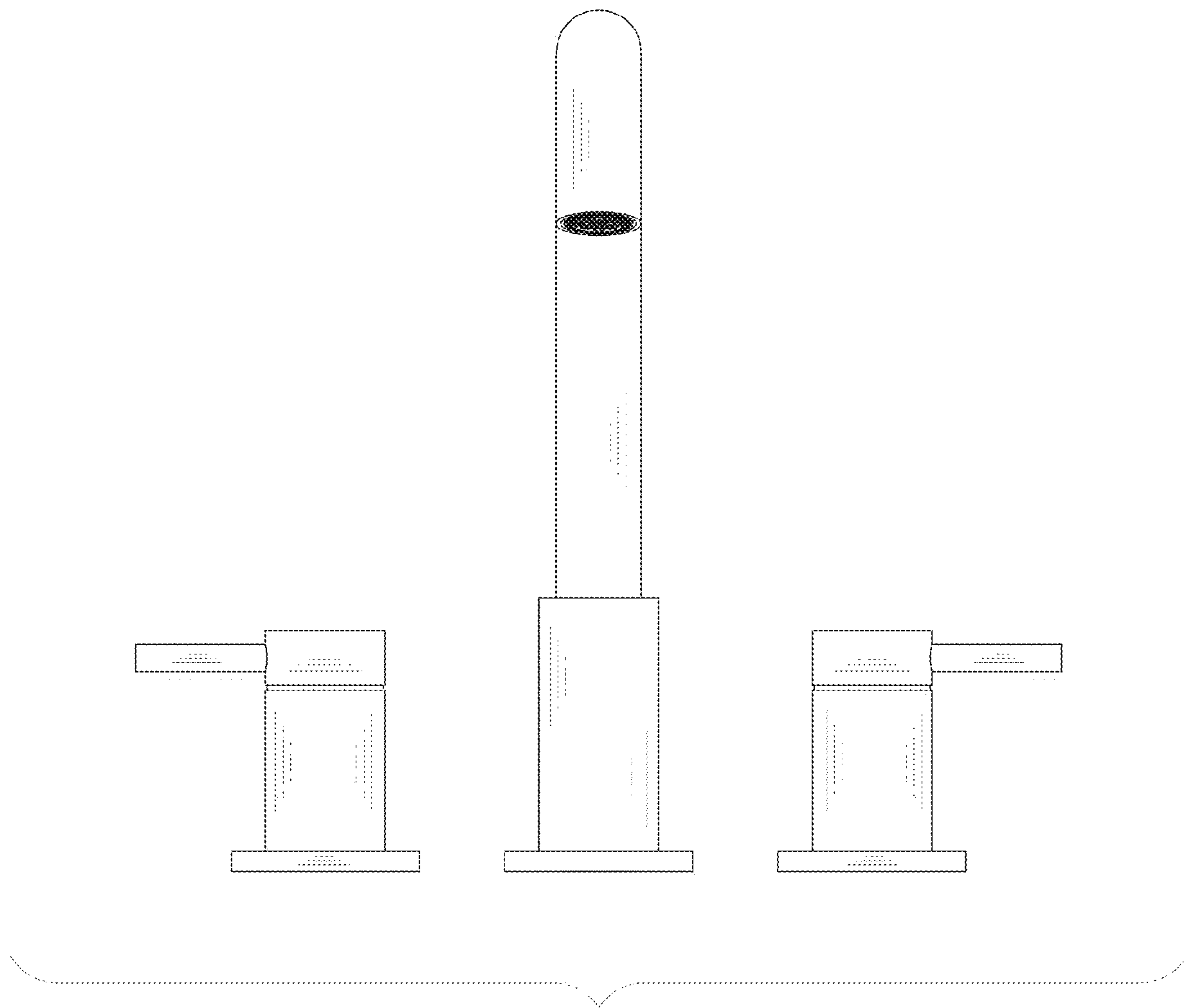


FIG. 2

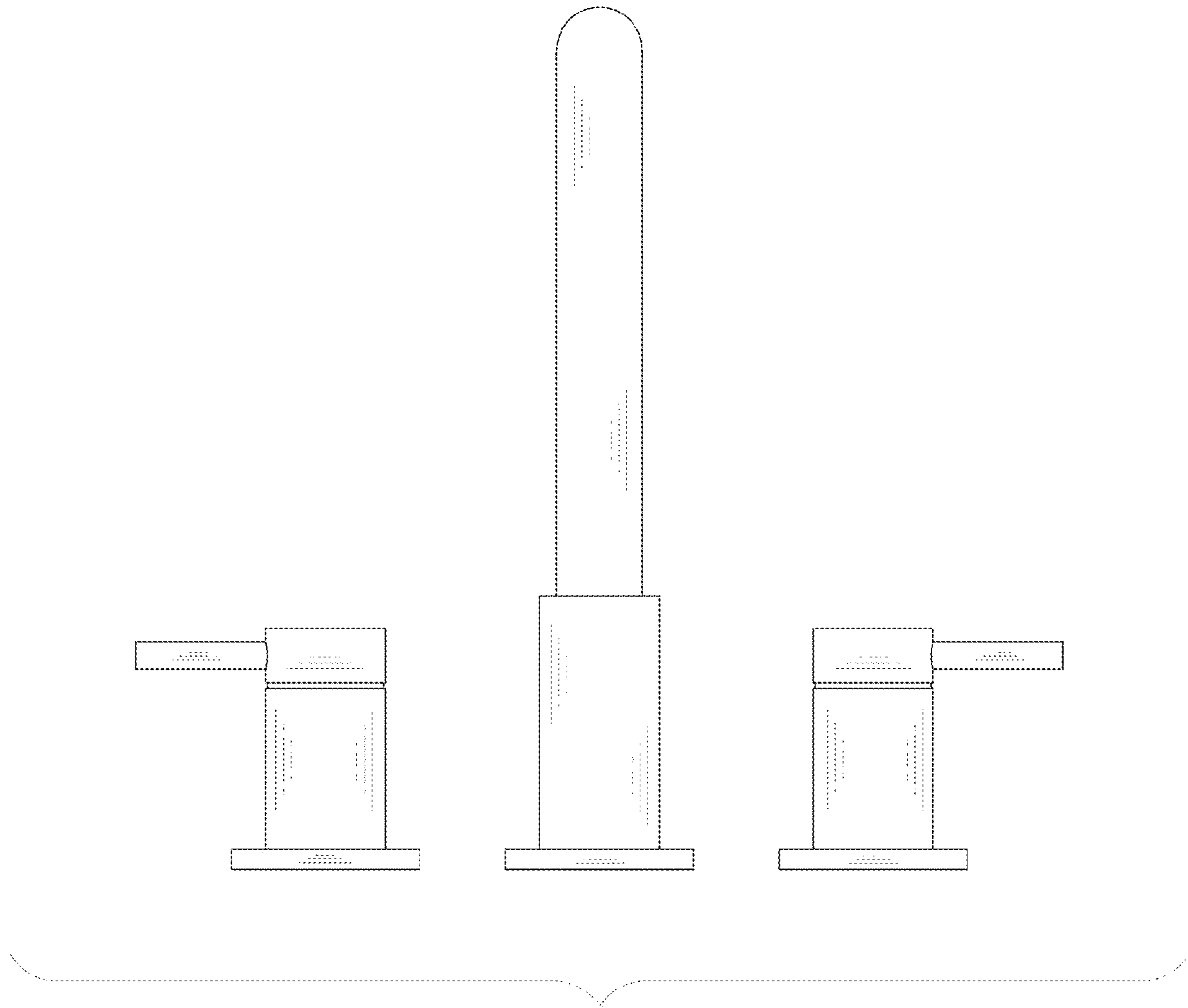


FIG. 3

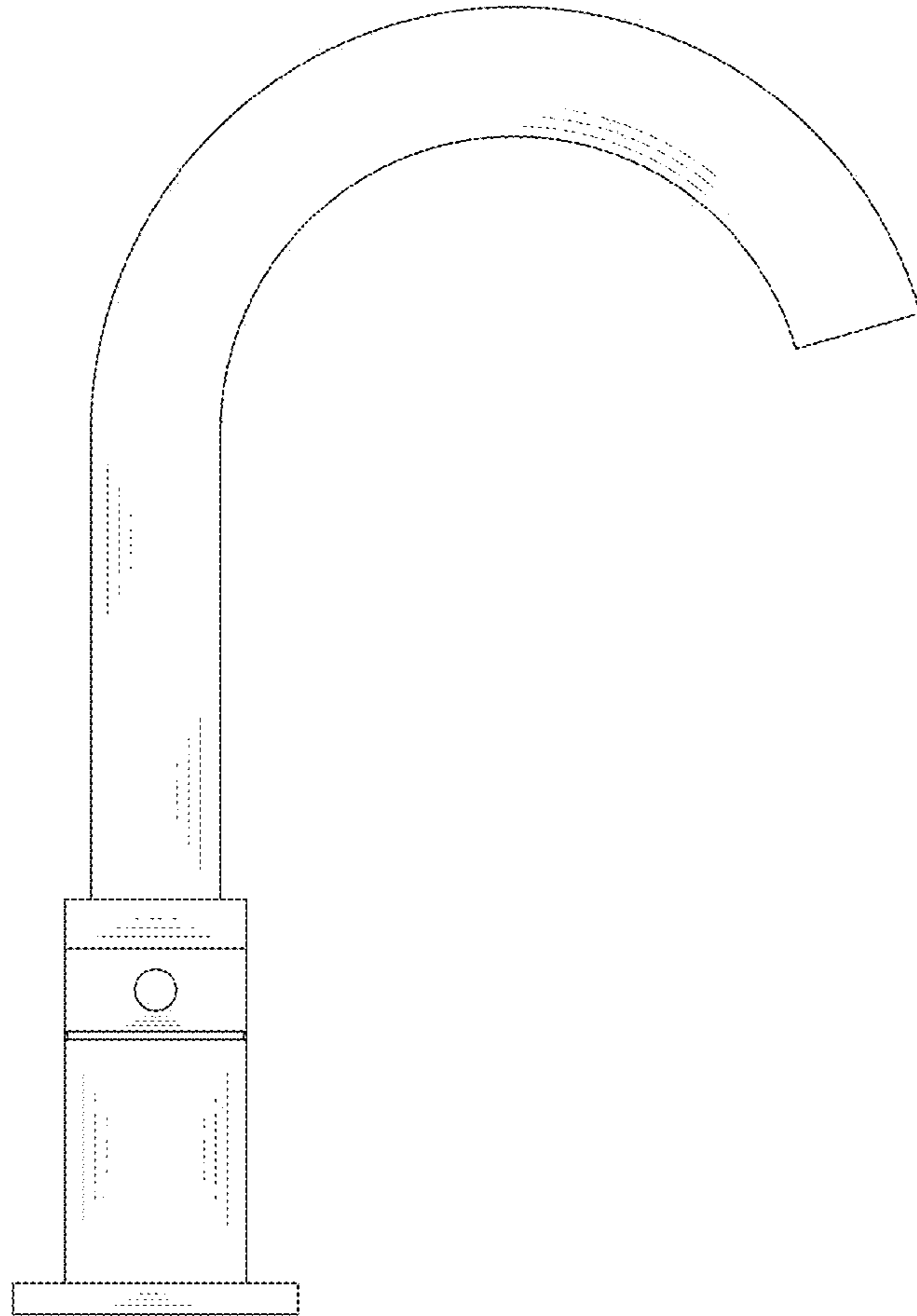


FIG. 4

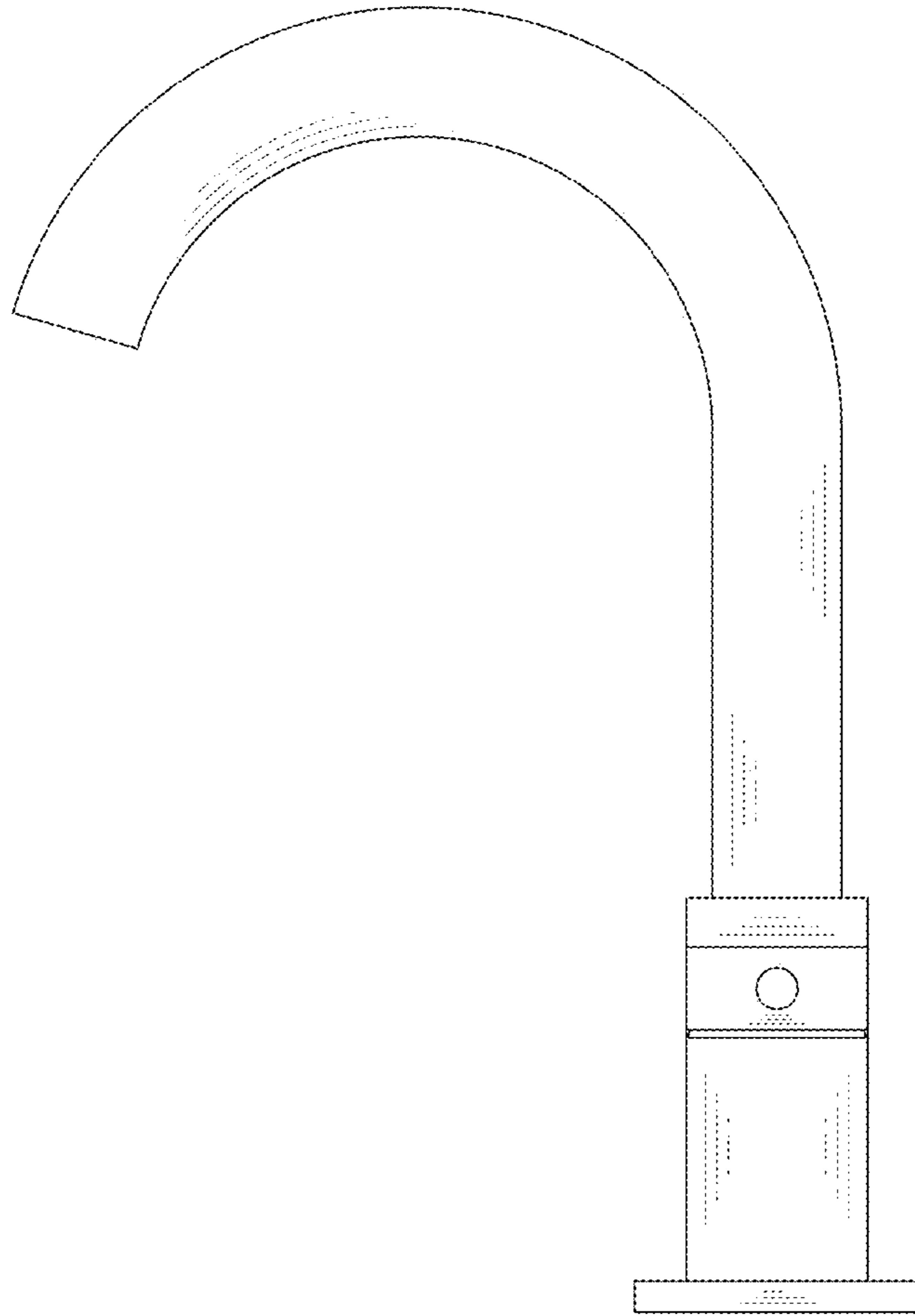


FIG. 5

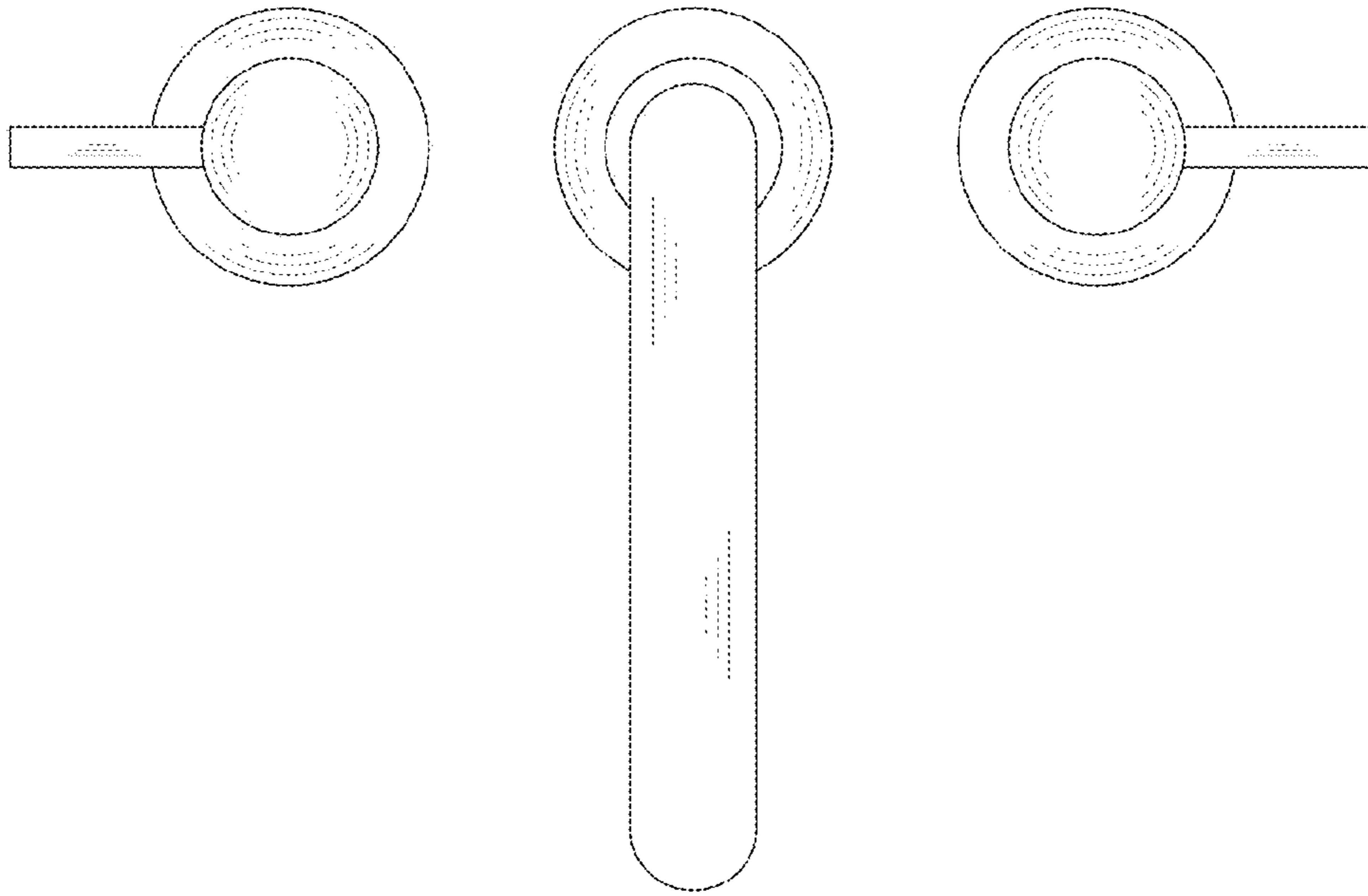


FIG. 6

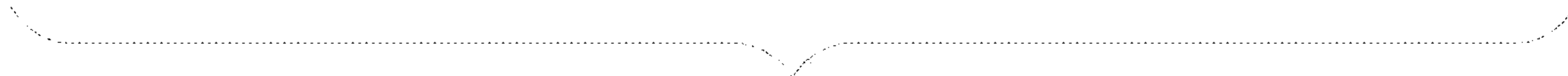
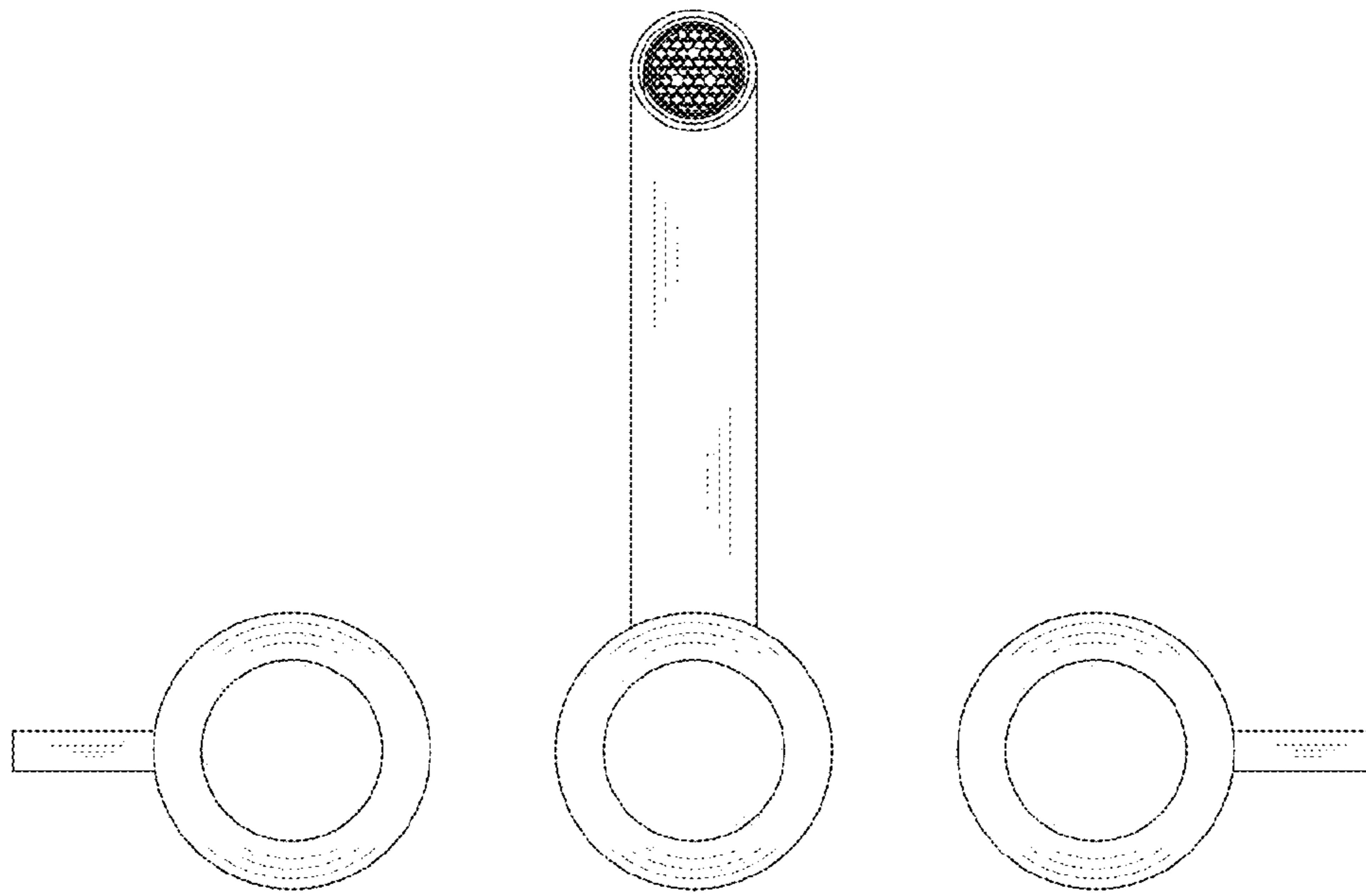


FIG. 7