



US00D973844S

(12) **United States Design Patent** (10) **Patent No.:** **US D973,844 S**
Moseley et al. (45) **Date of Patent:** **** Dec. 27, 2022**

- (54) **PRESSURE RELIEF VALVE APPARATUS** 6,283,138 B1 * 9/2001 Friend F16K 37/0083
137/554
- (71) Applicant: **KLX ENERGY SERVICES LLC,** 6,510,867 B2 1/2003 LaFleur
Houston, TX (US) 6,796,321 B2 9/2004 Vicars
6,978,799 B2 12/2005 Kugelev et al.
- (72) Inventors: **Lorne Randall Moseley,** Benton, LA 7,004,445 B2 2/2006 LyMBERopoulos
(US); **Brandon Carlton Wilkins,** 7,013,906 B2 3/2006 Pearson
Dallas, TX (US) 7,090,020 B2 8/2006 Hill et al.
7,293,575 B2 11/2007 LyMBERopoulos
7,341,435 B2 3/2008 Vicars
- (73) Assignee: **KLX ENERGY SERVICES LLC,** 7,467,778 B2 12/2008 Lonnes
Houston, TX (US) 7,615,893 B2 11/2009 Biester et al.

(Continued)

(**) Term: **15 Years**

OTHER PUBLICATIONS

- (21) Appl. No.: **29/727,650**
- (22) Filed: **Mar. 12, 2020**

House et al., "The Value of Pressure Relief in Hydraulic Fracturing Operations," OTC-27804-MS, Offshore Technology Conference, Houston, TX, May 1, 2017, 15 pages.

(Continued)

Related U.S. Application Data

- (63) Continuation of application No. 15/474,567, filed on Mar. 30, 2017, now abandoned.
- (51) **LOC (13) Cl.** **23-01**
- (52) **U.S. Cl.**
USPC **D23/235**
- (58) **Field of Classification Search**
USPC D23/233-235, 237, 241-249
CPC F16K 31/0675; F16K 37/0041; F16K
1/2007; F16K 1/221; F15B 13/024; F15B
13/025
See application file for complete search history.

Primary Examiner — Gino Colan

(74) *Attorney, Agent, or Firm* — Faegre Drinker Biddle & Reath LLP

(57) **CLAIM**

The ornamental design for pressure relief valve apparatus, as shown and described.

DESCRIPTION

FIG. 1 is a perspective view depicting an embodiment of the new design for pressure relief valve apparatus;
FIG. 2 is a front view thereof;
FIG. 3 is a back view thereof;
FIG. 4 is a left side view thereof;
FIG. 5 is a right view thereof;
FIG. 6 is a top view thereof; and,
FIG. 7 is a bottom view thereof.

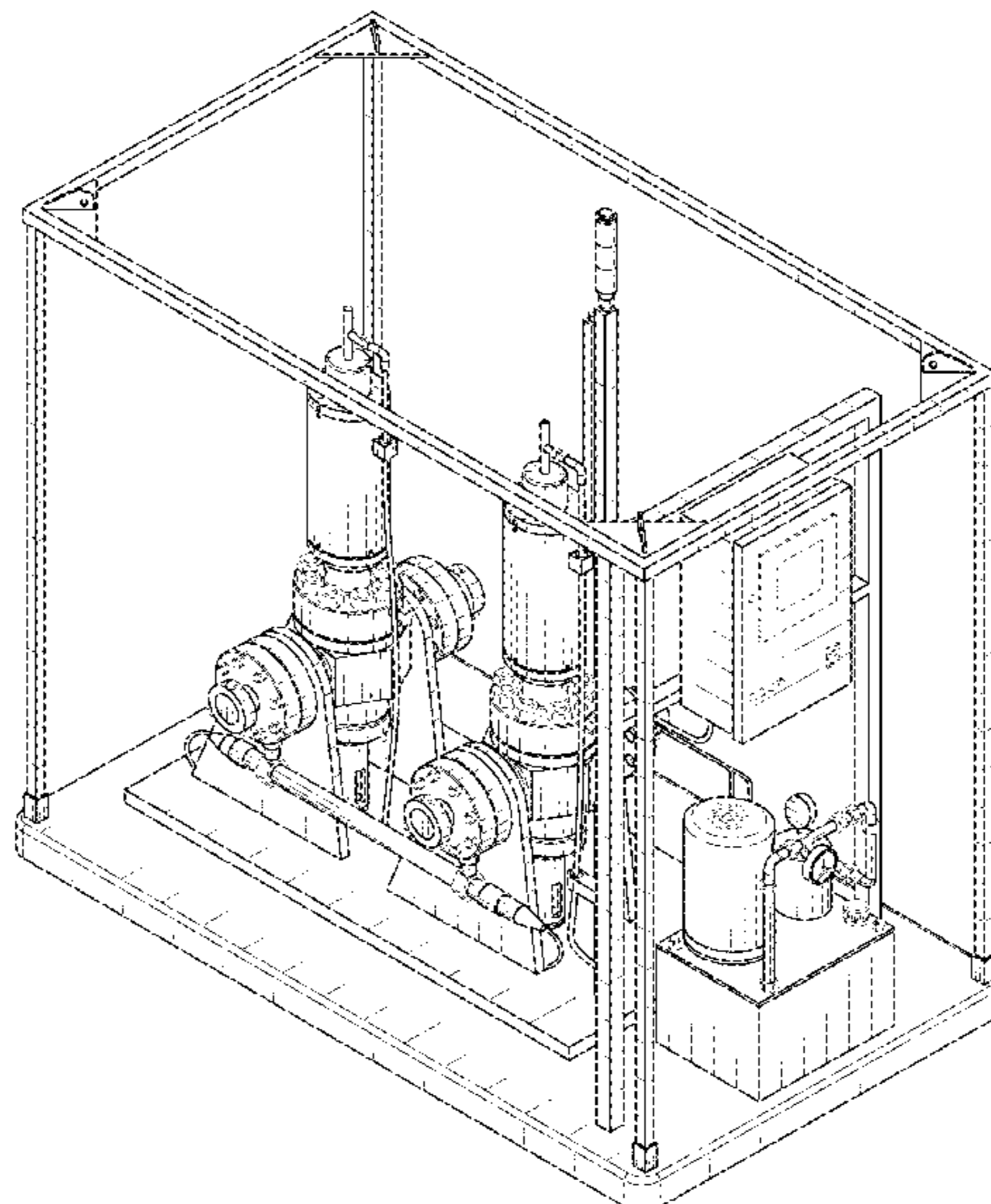
The broken lines illustrated in the drawing views are included to show unclaimed environment only and form no part of the claimed design.

(56) **References Cited**

U.S. PATENT DOCUMENTS

- 2,768,640 A 10/1956 Zimmer et al.
- 5,351,705 A * 10/1994 Reinders G05D 16/2026
137/12
- 5,526,883 A 6/1996 Breaux
- 5,673,563 A * 10/1997 Albertson F16K 17/162
62/149
- 6,216,785 B1 4/2001 Achee, Jr. et al.

1 Claim, 7 Drawing Sheets



(56)

References Cited

U.S. PATENT DOCUMENTS

7,677,526 B2 3/2010 Lymberopoulos
 7,748,459 B2 7/2010 Johnson
 7,845,416 B2 12/2010 Turner et al.
 8,490,702 B2 7/2013 Stromquist et al.
 8,695,627 B2 4/2014 Kugelev et al.
 8,763,983 B2 7/2014 Lymberopoulos et al.
 8,777,178 B2 7/2014 Young
 8,851,108 B2 10/2014 Lymberopoulos et al.
 9,057,448 B2 6/2015 Lymberopoulos
 9,103,465 B2 8/2015 Lymberopoulos
 9,163,619 B2 10/2015 Lymberopoulos
 9,163,750 B2 10/2015 Lymberopoulos et al.
 9,273,543 B2 3/2016 Baca et al.
 9,322,243 B2 4/2016 Baca et al.
 9,341,279 B2 5/2016 McNabney et al.
 9,353,775 B2 5/2016 Young
 9,353,882 B2 5/2016 Young
 9,395,015 B2 7/2016 Young
 9,429,241 B2 8/2016 Eagen
 9,441,453 B2 9/2016 Lymberopoulos et al.
 9,518,675 B2 12/2016 Cook et al.
 9,671,794 B1 6/2017 Lymberopoulos et al.
 9,890,609 B2 2/2018 Lymberopoulos et al.

11,193,603 B2* 12/2021 Schmidt F16K 17/06
 2005/0129531 A1 6/2005 Fenny et al.
 2006/0151027 A1 7/2006 Pearson
 2012/0031494 A1 2/2012 Lymberopoulos
 2012/0073670 A1 3/2012 Lymberopoulos
 2012/0181013 A1 7/2012 Kajaria et al.
 2013/0214188 A1 8/2013 Young
 2013/0233389 A1 9/2013 Young
 2013/0234055 A1 9/2013 Young
 2013/0312840 A1 11/2013 Young
 2013/0313451 A1 11/2013 Young
 2014/0048255 A1 2/2014 Baca et al.
 2014/0060020 A1 3/2014 Peterson et al.
 2014/0097363 A1 4/2014 Young
 2014/0097364 A1 4/2014 Young
 2016/0161956 A1 6/2016 Baca et al.

OTHER PUBLICATIONS

PCT Search Report and Written Opinion issued for related application PCT/US2017/025071, dated Jun. 15, 2017, 7 pages.
 Office Action issued in related application CA 3,016,516, dated Jun. 4, 2019, 5 pages.

* cited by examiner

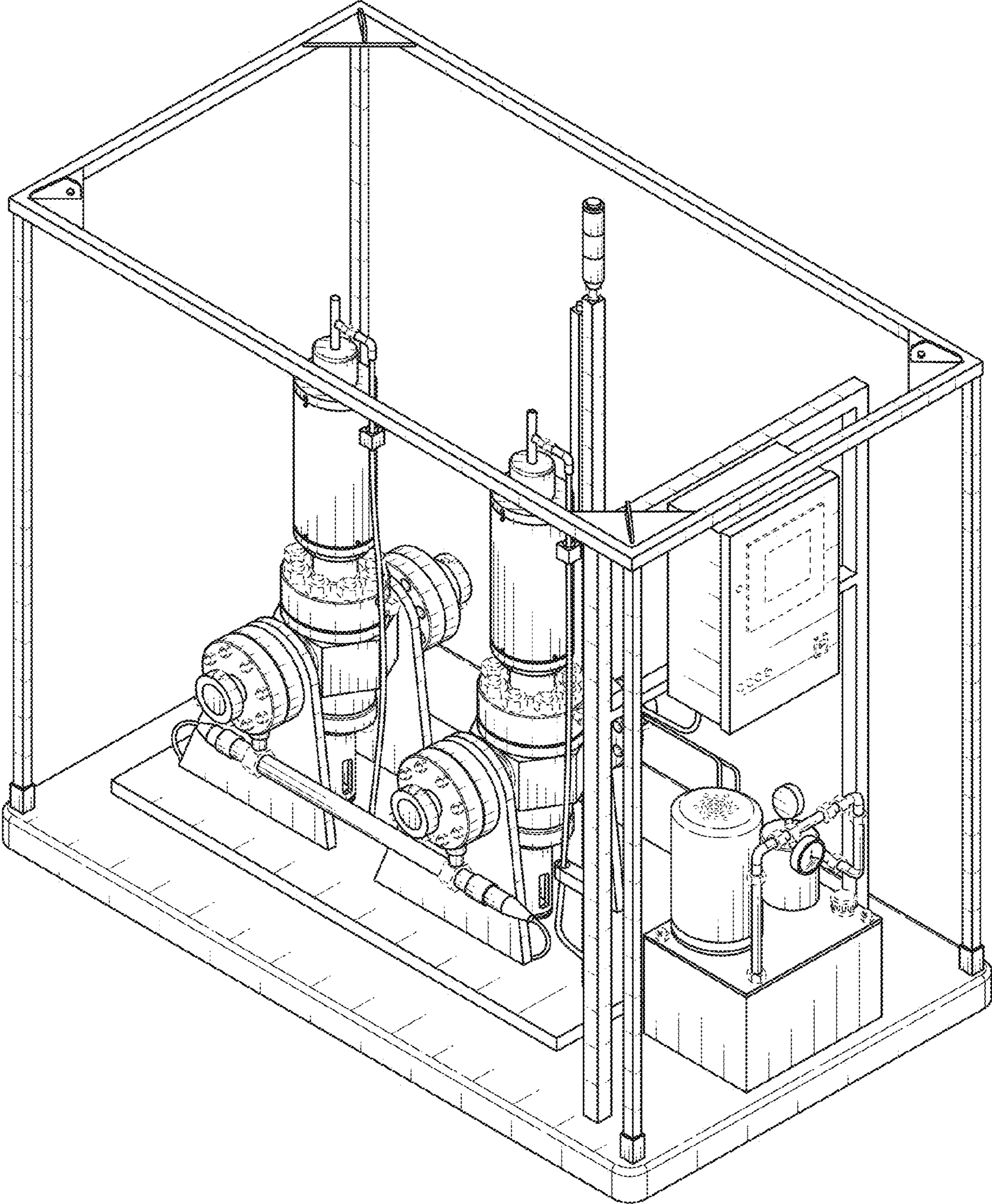


FIG. 1

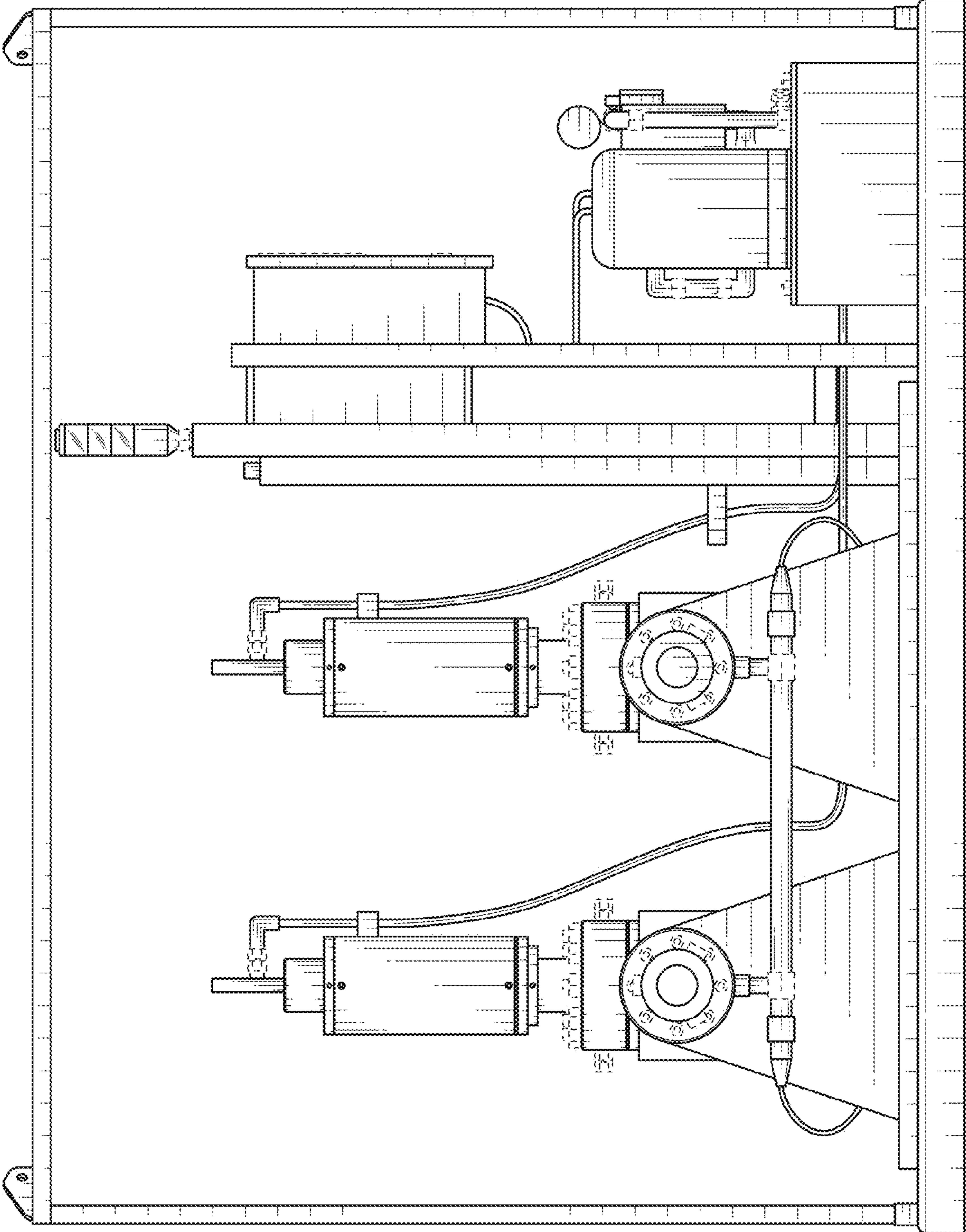


FIG. 2

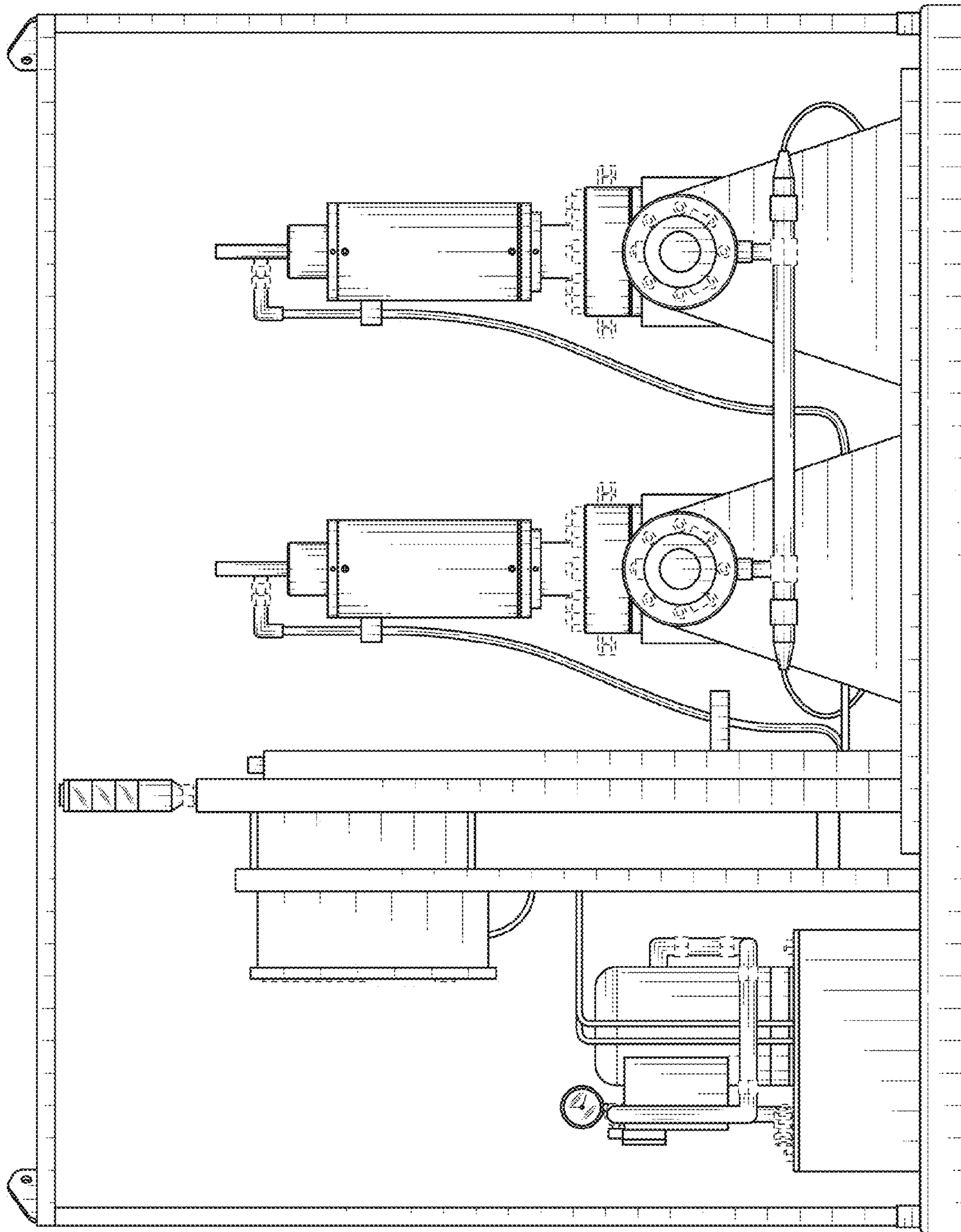


FIG. 3

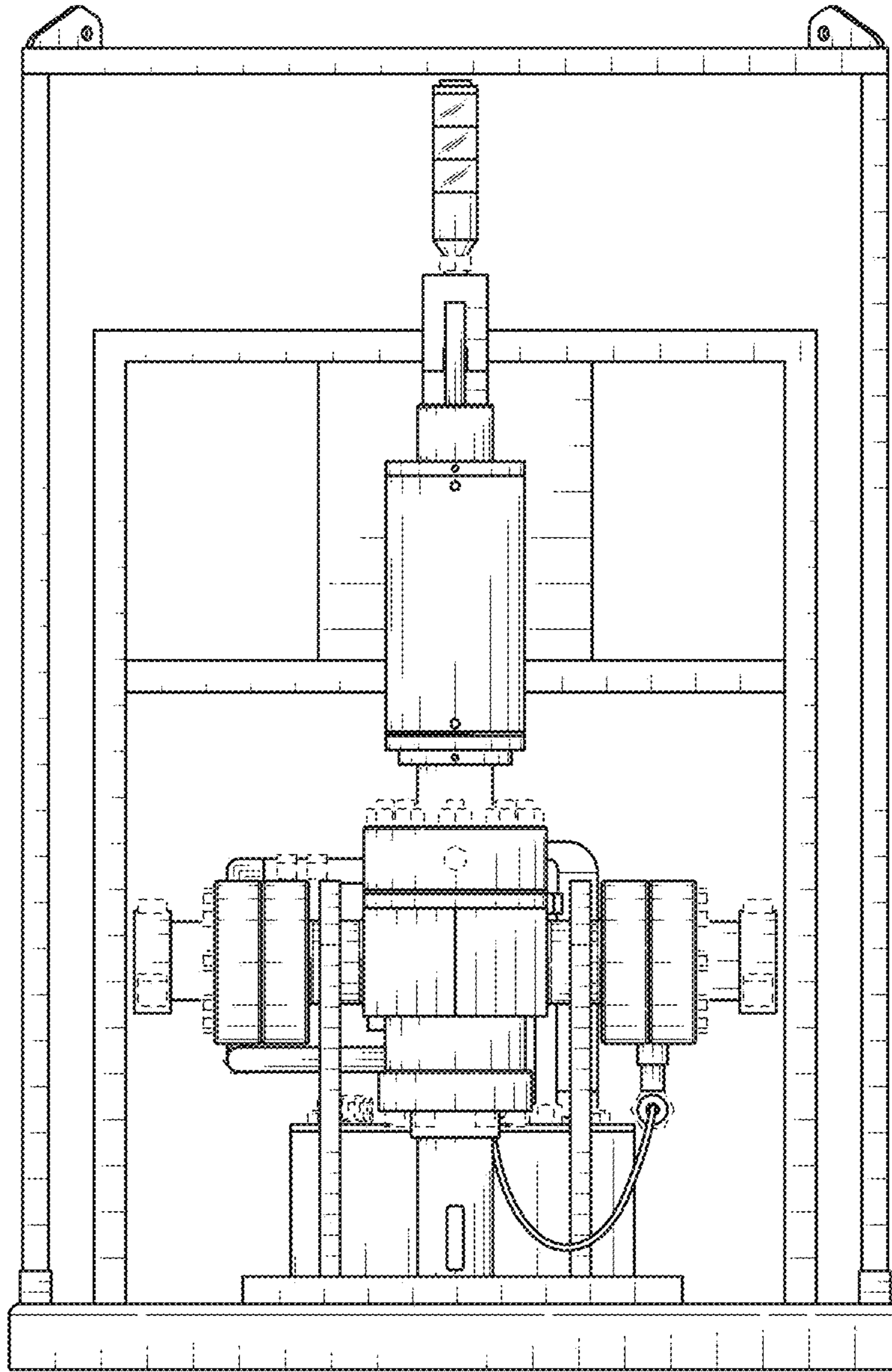


FIG. 4

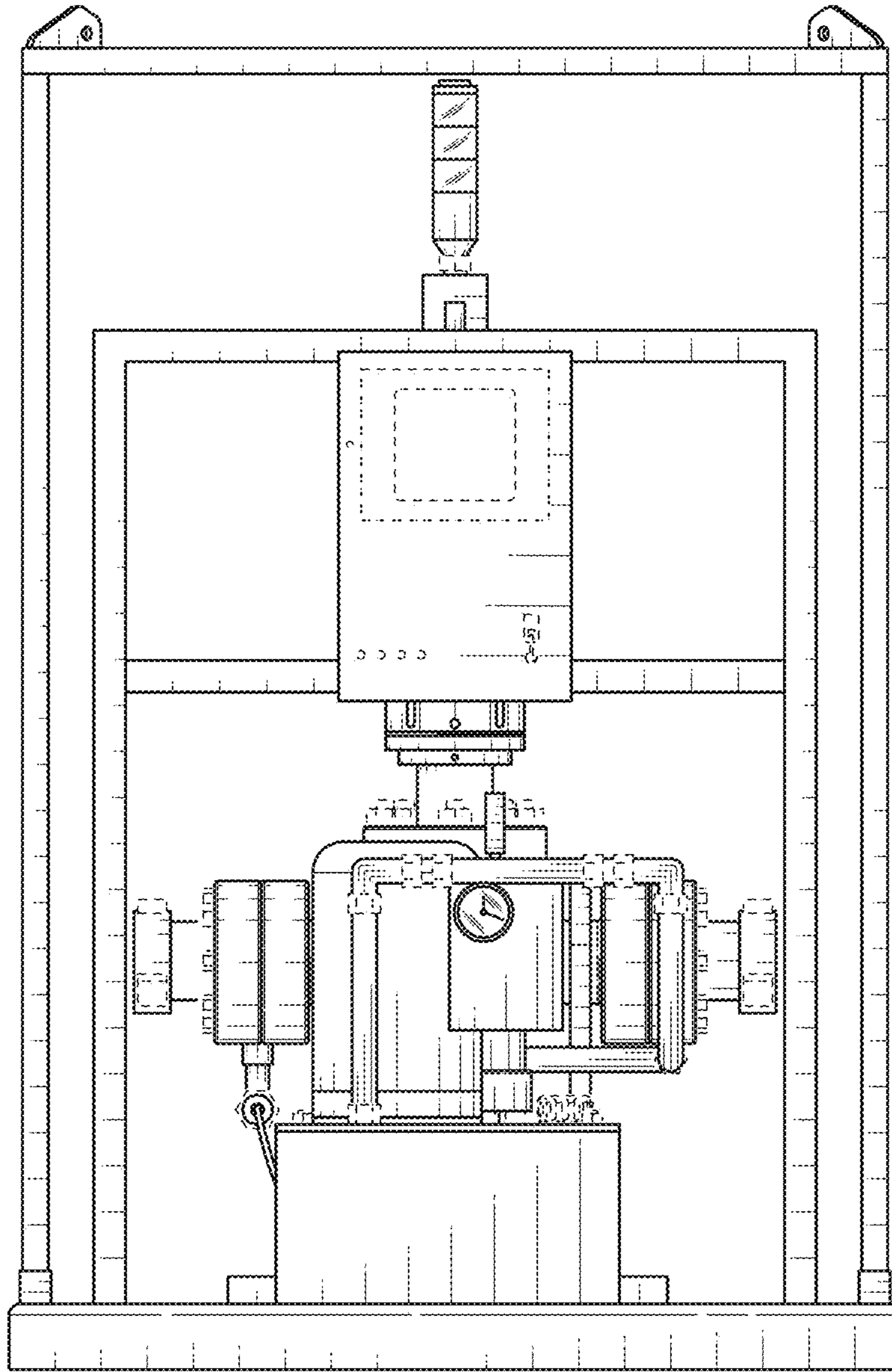


FIG. 5

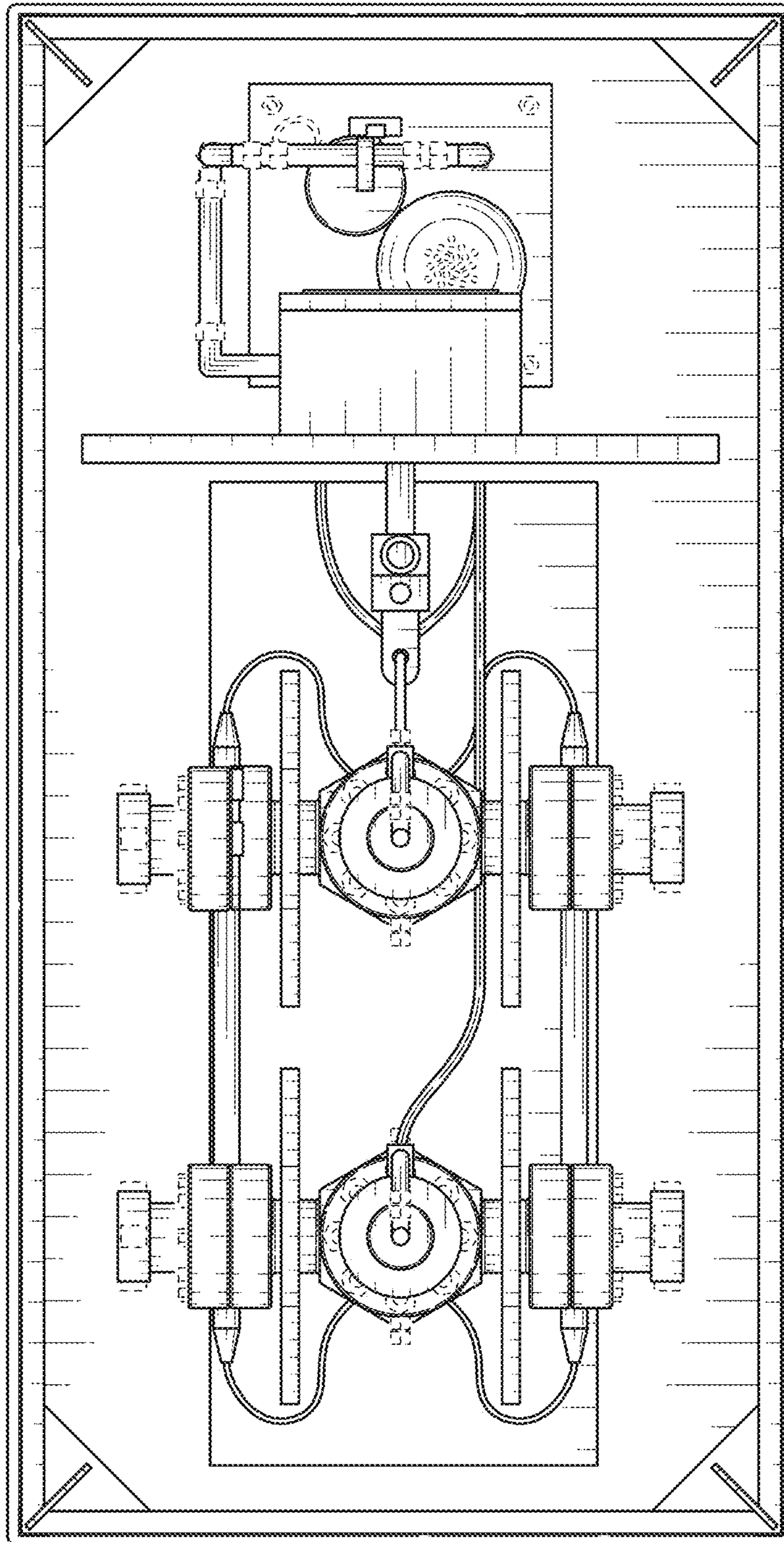


FIG. 6

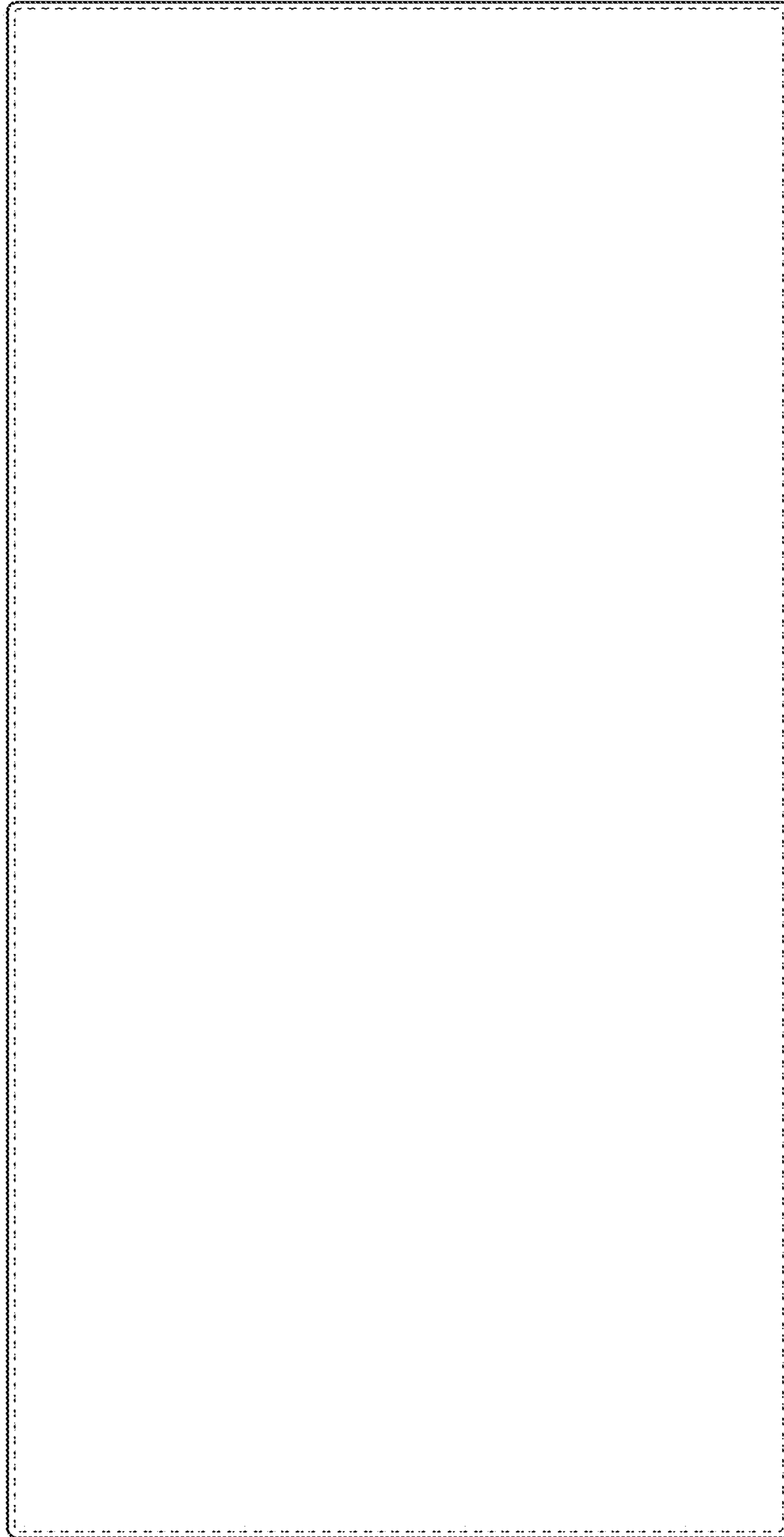


FIG. 7