



US00D973843S

(12) **United States Design Patent**
Ibele et al.

(10) **Patent No.:** **US D973,843 S**

(45) **Date of Patent:** **** Dec. 27, 2022**

(54) **SPRAY GUN FOR PAINT**

(71) Applicant: **J. WAGNER GMBH**, Markdorf (DE)

(72) Inventors: **Peter Ibele**, Horgenzell (DE); **Magnus Lutz**, Salem (DE); **Heiko Tullney**, Aumuehle (DE); **Florian Haettich**, Hamburg (DE)

(73) Assignee: **J. Wagner GmbH**, Markdorf (DE)

(**) Term: **15 Years**

(21) Appl. No.: **29/750,936**

(22) Filed: **Sep. 17, 2020**

(30) **Foreign Application Priority Data**

Mar. 19, 2020 (EM) 007759907-0001

(51) **LOC (13) Cl.** **23-01**

(52) **U.S. Cl.**
USPC **D23/226**

(58) **Field of Classification Search**
USPC D23/213, 223, 225, 226
CPC B05B 1/16; B05B 1/1618; B05B 7/0018;
B05B 7/02; B05B 7/24; B05B 7/2408;
B05B 7/2478; B05B 9/01; B05B 9/0894;
B05B 12/002
See application file for complete search history.

(56) **References Cited**

U.S. PATENT DOCUMENTS

- 7,360,720 B2 * 4/2008 Gohring B05B 7/2416
239/315
- D651,691 S * 1/2012 Muetzel D23/225
- 8,267,332 B1 * 9/2012 Jones B05B 15/534
239/526
- D759,199 S * 6/2016 Wrobel D23/225
- 9,480,997 B2 * 11/2016 Gang B05B 7/0823
- D803,649 S * 11/2017 van der Rest D8/68

- D857,162 S * 8/2019 Dawson D23/225
- 10,968,903 B1 * 4/2021 Olson F04B 53/16
- D926,930 S * 8/2021 Camille D23/225
- D946,114 S * 3/2022 Sides D23/226
- 2007/0278787 A1 * 12/2007 Jones B05B 9/0861
285/46
- 2010/0072300 A1 * 3/2010 Miller B05B 9/0861
239/332
- 2011/0089261 A1 * 4/2011 Gohring B05B 7/2408
239/310
- 2012/0080541 A1 * 4/2012 Schnell B05B 1/3026
239/526

(Continued)

OTHER PUBLICATIONS

Ginour Paint Sprayer, Jun. 2, 2019, Amazon, site visited Mar. 28, 2022: <https://www.amazon.co.uk/dp/B07SPYFTRZ/> (Year: 2019).*

(Continued)

Primary Examiner — Jack Reickel

Assistant Examiner — Bobby W Jones, II

(74) *Attorney, Agent, or Firm* — Burr & Brown, PLLC

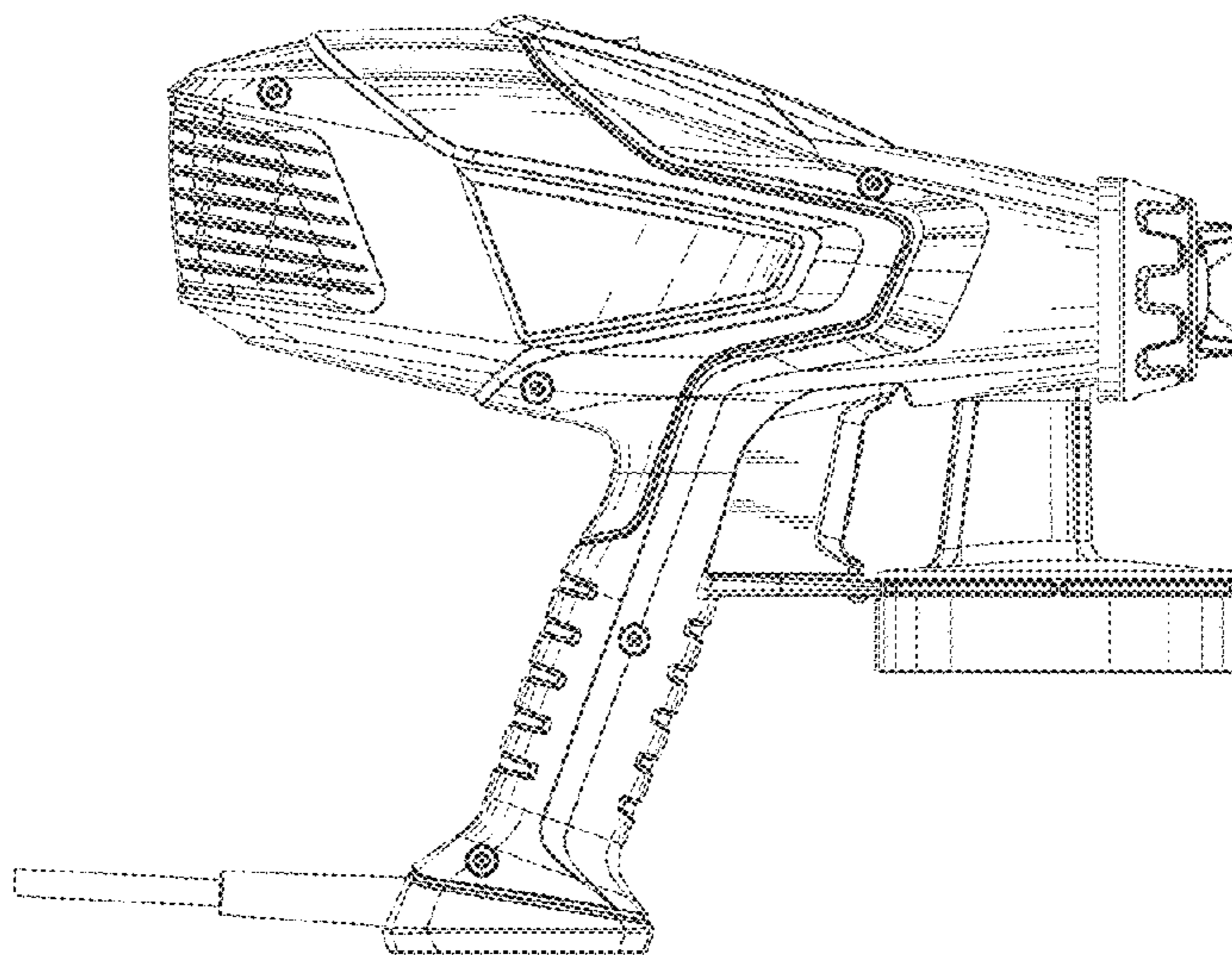
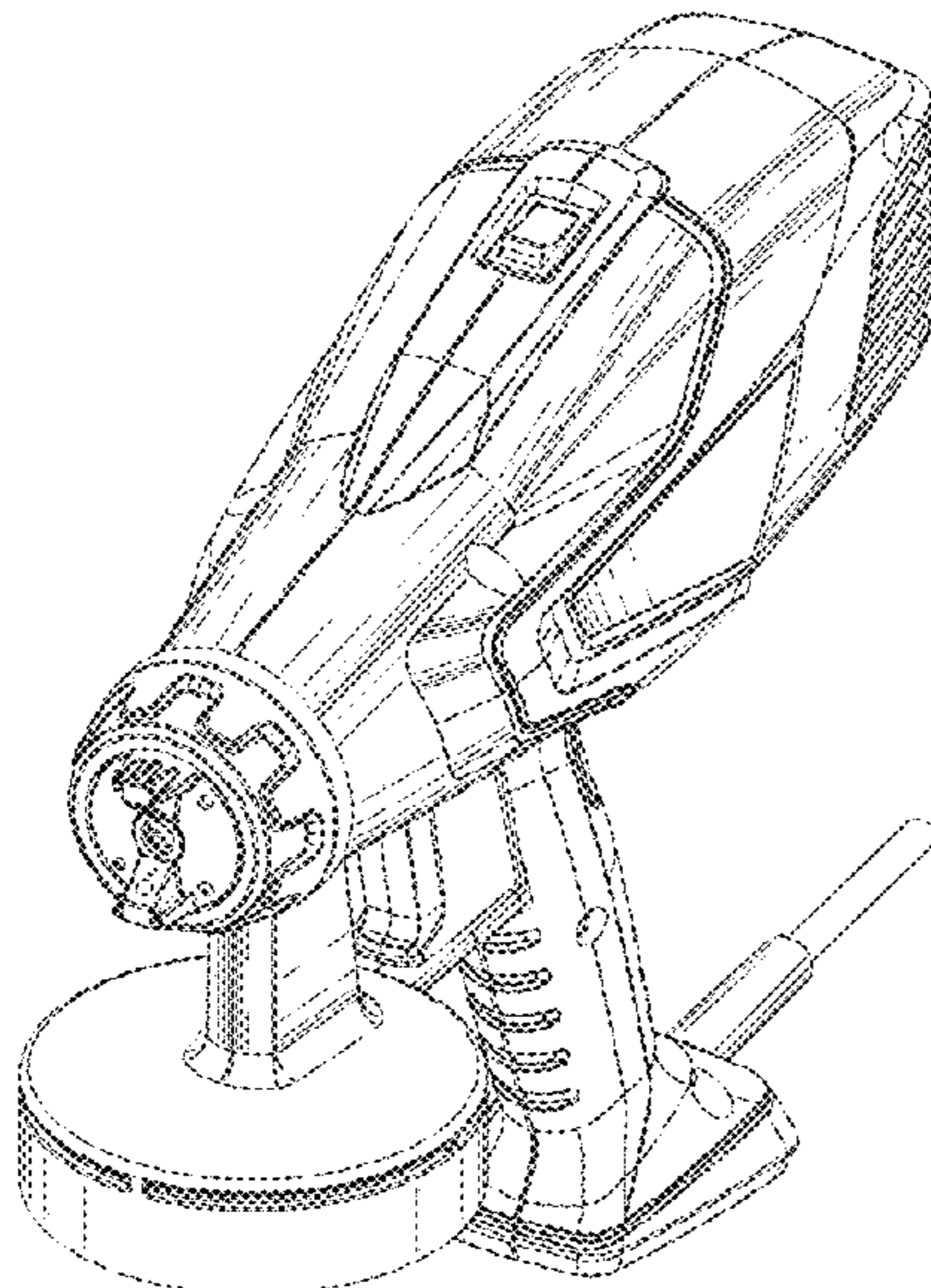
(57) **CLAIM**

The ornamental design for a spray gun for paint, as shown and described.

DESCRIPTION

FIG. 1 is a front perspective view of a sprayer illustrating our new design;
FIG. 2 is a front view thereof;
FIG. 3 is a rear view thereof;
FIG. 4 is a right side view thereof;
FIG. 5 is a left side view thereof;
FIG. 6 is a top view thereof;
FIG. 7 is a bottom view thereof; and,
FIG. 8 is a rear perspective view thereof.
The broken lines in the drawings depict unclaimed subject matter only and form no part of the claimed design.

1 Claim, 8 Drawing Sheets



(56)

References Cited

U.S. PATENT DOCUMENTS

2013/0256426 A1* 10/2013 Becker B05B 15/534
137/800
2015/0060568 A1* 3/2015 Johnson B05B 11/0008
248/312
2016/0236217 A1* 8/2016 Jenkins A47L 11/4005
2016/0332178 A1* 11/2016 Becker B05B 9/0403
2017/0304853 A1* 10/2017 Kraye B05B 7/2416
2018/0178228 A1* 6/2018 Kinne B05B 7/02
2018/0200743 A1* 7/2018 Dawson B05B 9/0861
2019/0356253 A1* 11/2019 Kruzel B05B 9/0861
2021/0370327 A1* 12/2021 Pfingstgraef B05B 1/3046

OTHER PUBLICATIONS

Wagner Spraytech 0529010 FLEXiO 590, Sep. 20, 2013, Amazon, site visited Mar. 28, 2022: (Year: 2013).*

Wagner Control Spray QX1 Overview, Apr. 1, 2022, YouTube, site visited Mar. 28, 2022: <https://www.youtube.com/watch?v=x01rBzDaHUQ> (Year: 2022).*

* cited by examiner

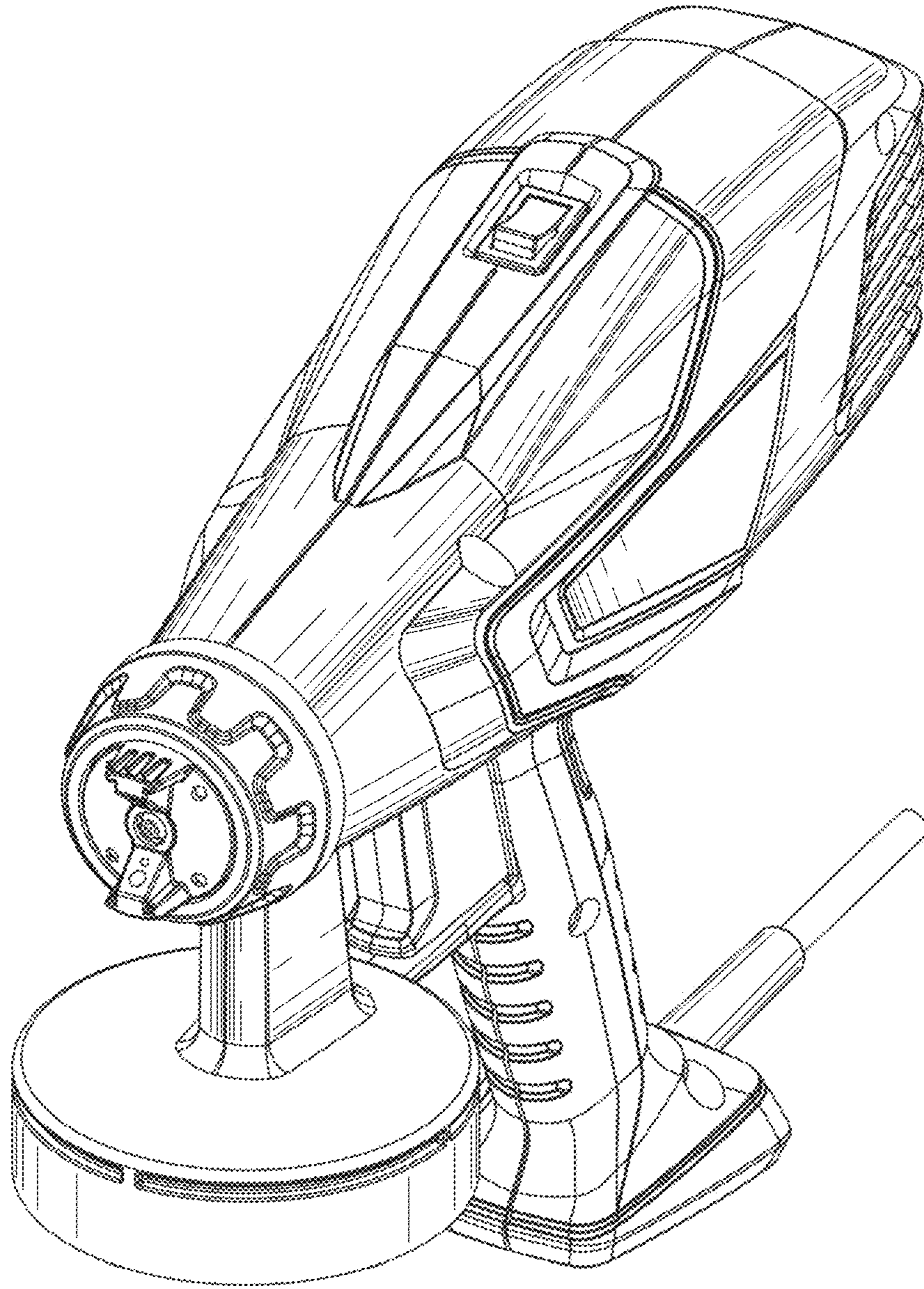


Fig. 1

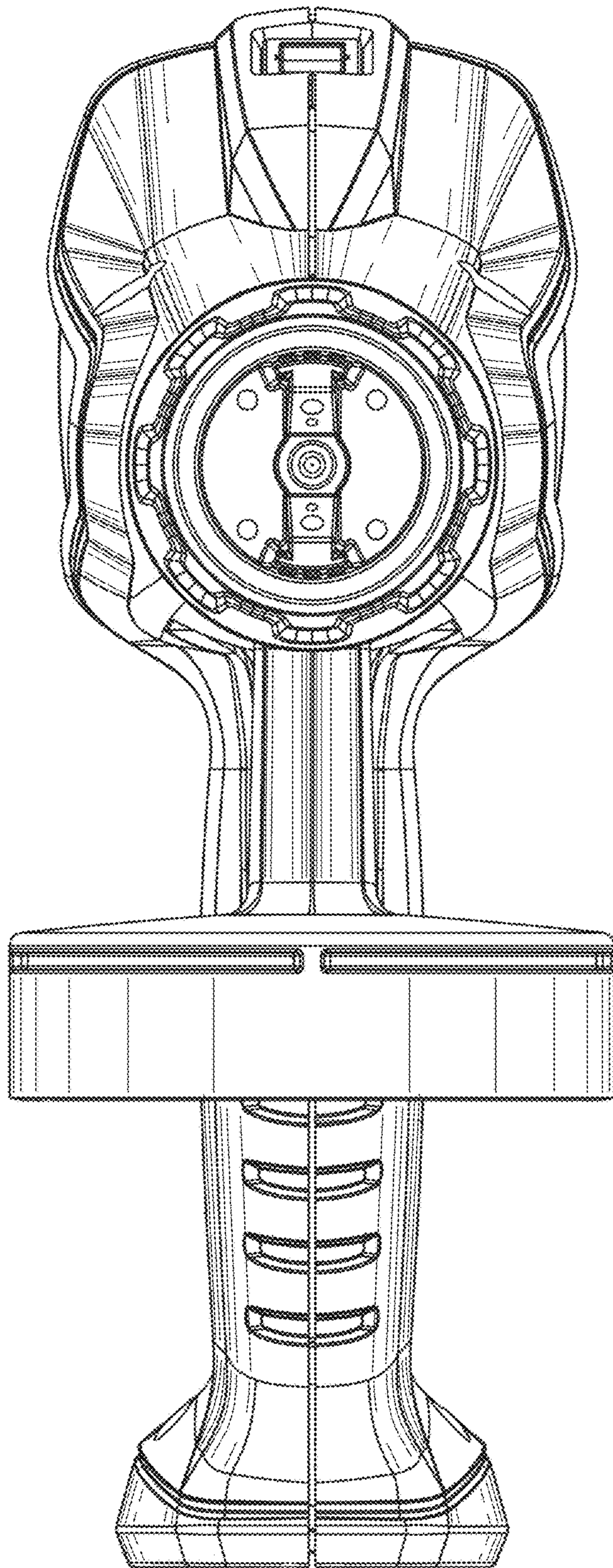


Fig. 2

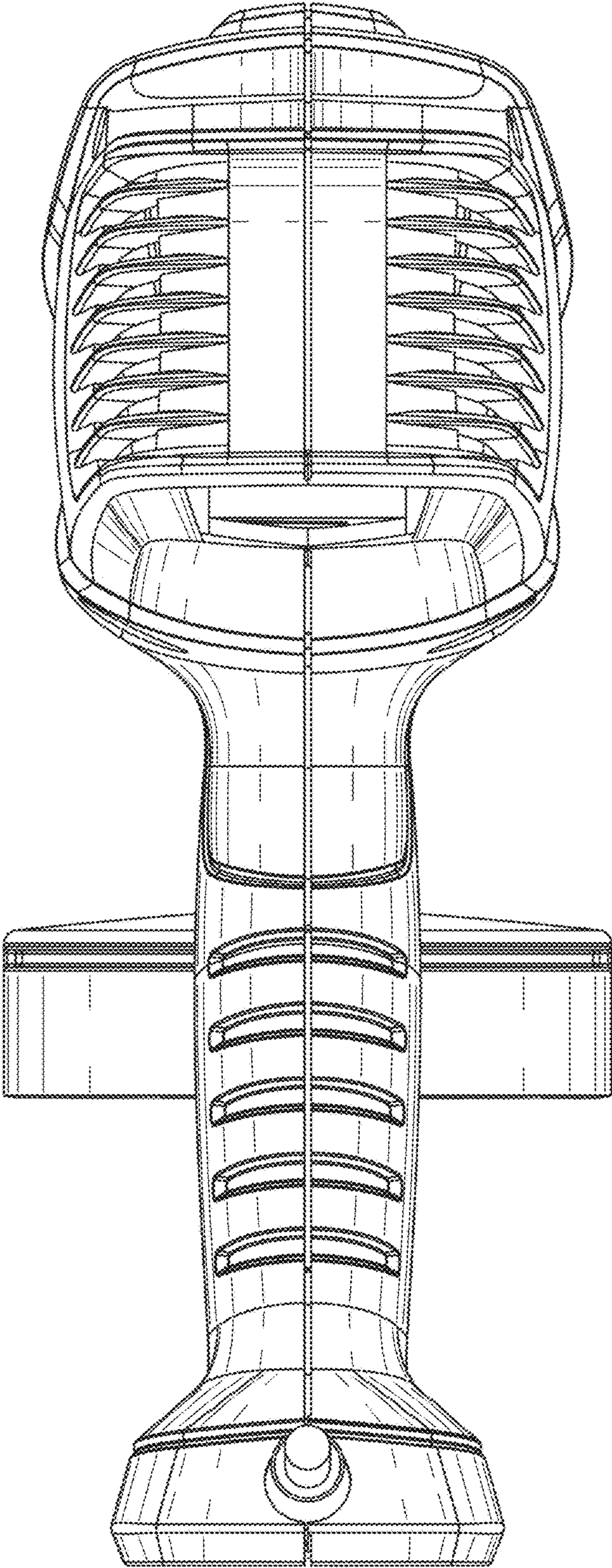


Fig. 3

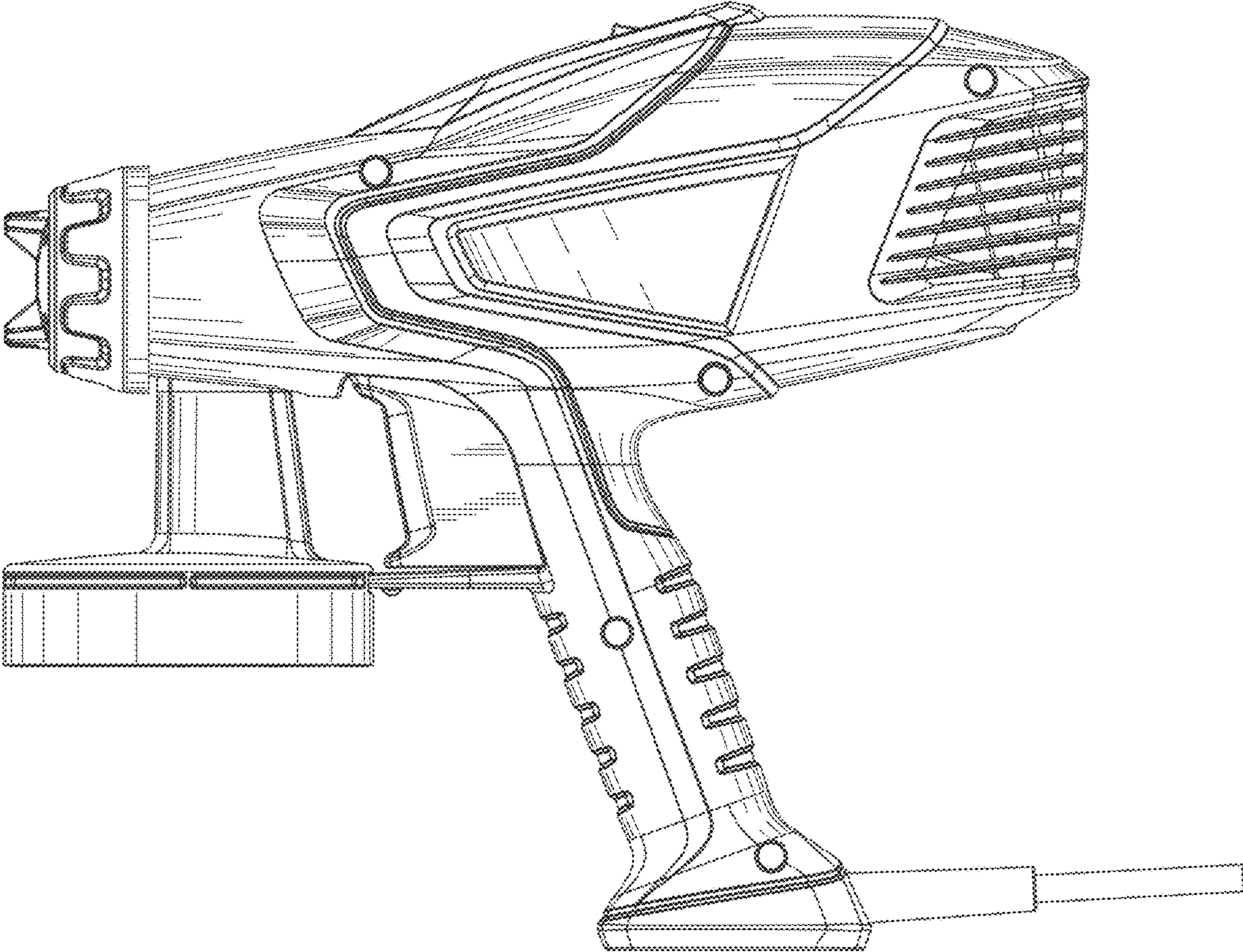


Fig. 4

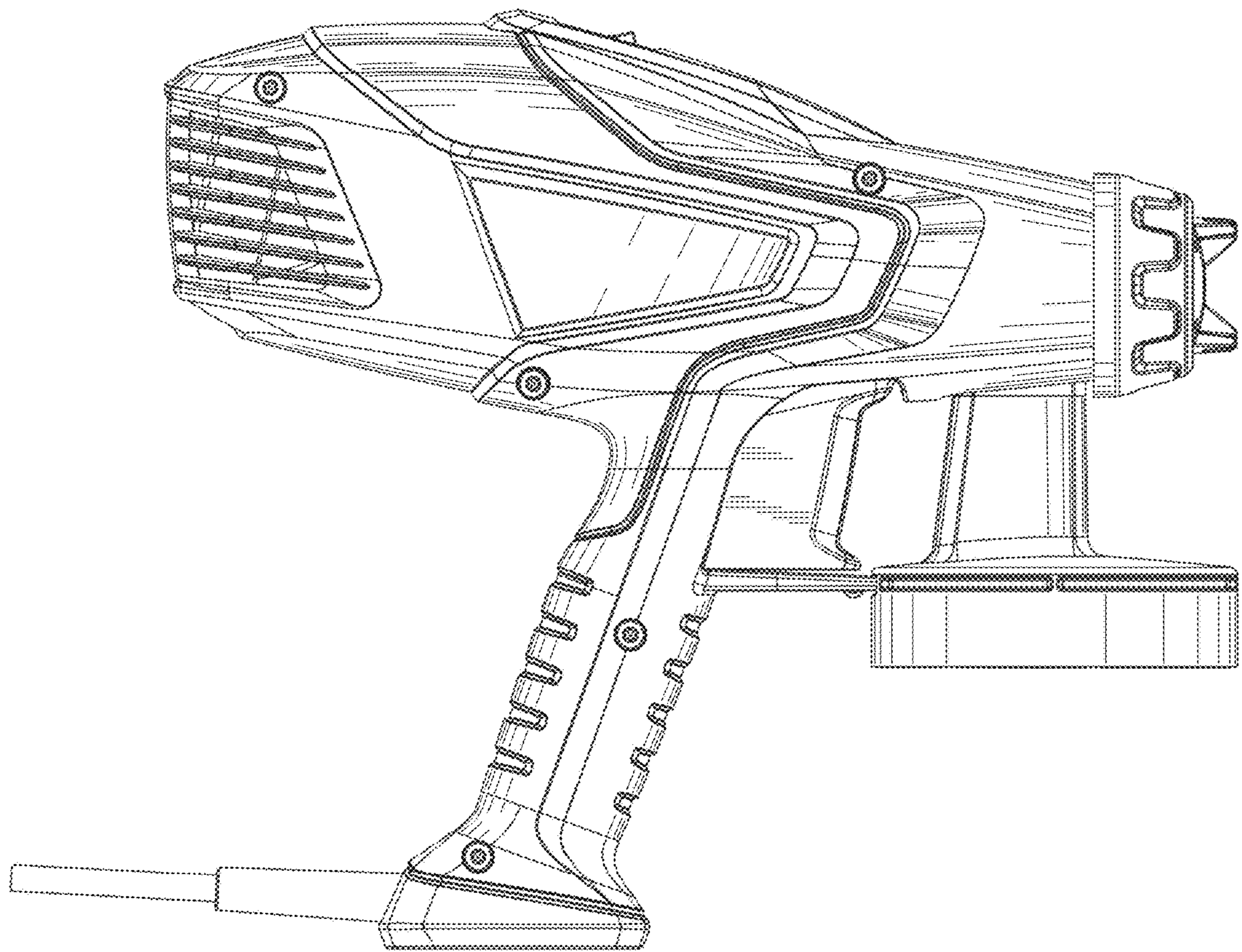


Fig. 5

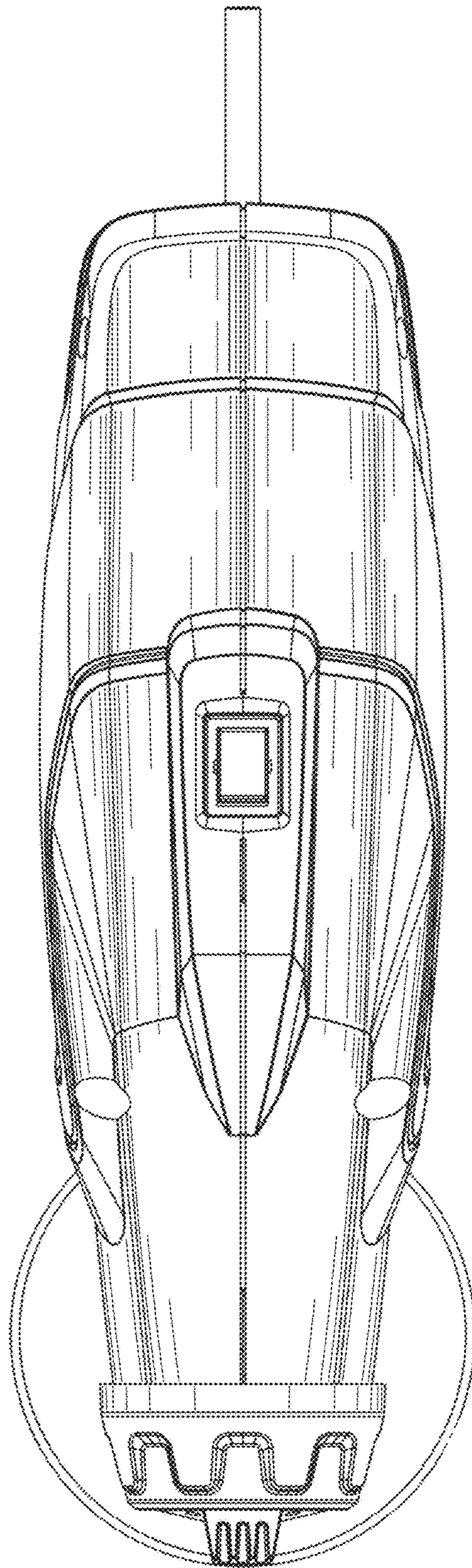


Fig. 6

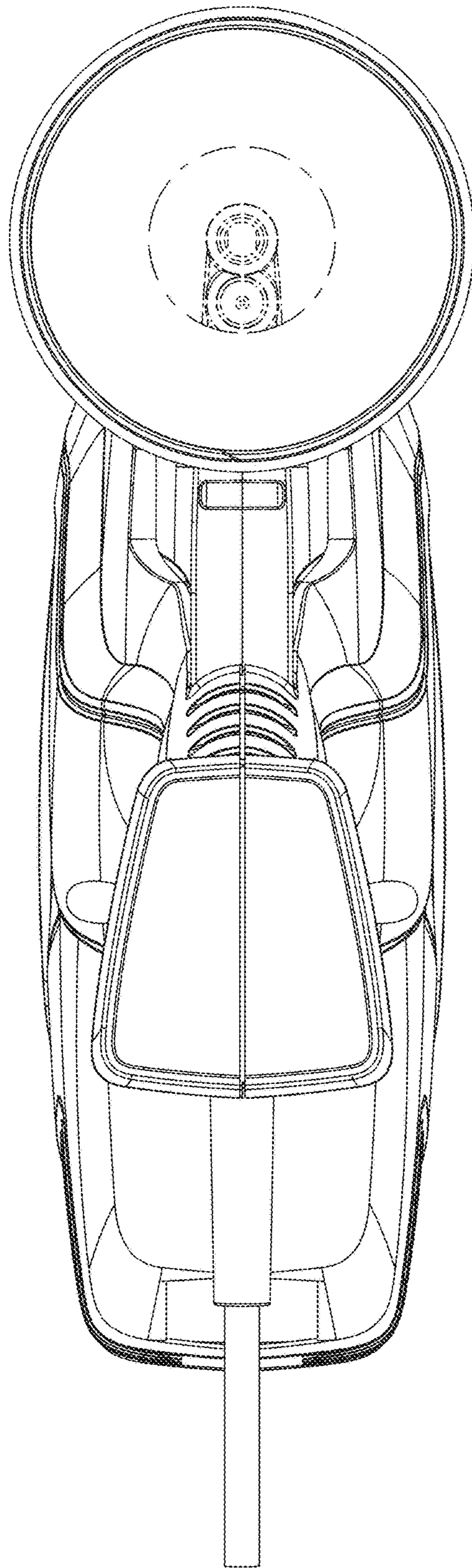


Fig. 7

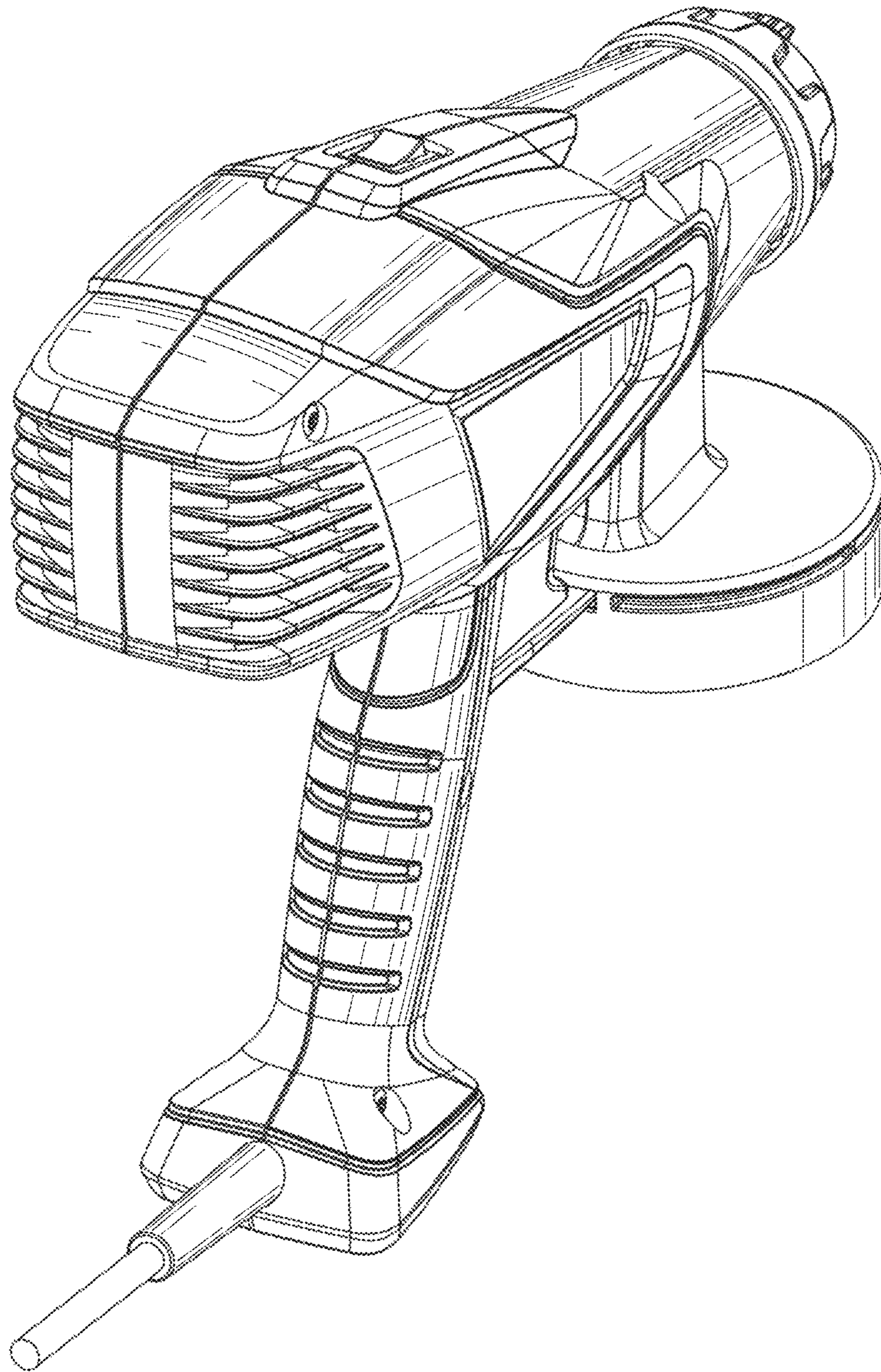


Fig. 8