



US00D973842S

(12) **United States Design Patent**  
**Pieroni**

(10) **Patent No.:** **US D973,842 S**

(45) **Date of Patent:** **\*\* \*Dec. 27, 2022**

(54) **NOZZLE HANDLE WITH A FLASHLIGHT AND A CUP**

D297,350 S \* 8/1988 Kille ..... D23/225  
D314,649 S \* 2/1991 Campbell, Sr. .... D23/223  
5,074,467 A \* 12/1991 Geberth ..... B05B 12/00  
239/8  
5,381,957 A \* 1/1995 Bianco ..... B05B 1/08  
239/428.5  
6,883,732 B2 \* 4/2005 Hasegawa ..... B05B 3/00  
239/318  
D692,531 S \* 10/2013 Li ..... D23/226

(71) Applicant: **ECP Incorporated**, Woodridge, IL (US)

(72) Inventor: **Daniel P. Pieroni**, Naperville, IL (US)

(73) Assignee: **ECP Incorporated**, Woodridge, IL (US)

(\* ) Notice: This patent is subject to a terminal disclaimer.

(\*\*) Term: **15 Years**

(21) Appl. No.: **29/756,921**

(22) Filed: **Nov. 1, 2020**

(51) **LOC (13) Cl.** ..... **23-01**

(52) **U.S. Cl.**  
USPC ..... **D23/225**

(58) **Field of Classification Search**  
USPC ..... D23/213, 223, 225, 226; D3/217  
CPC ..... B05B 5/00; B05B 5/025; B05B 5/0255;  
B05B 5/03; B05B 5/16; B05B 5/1691;  
B05B 7/00; B05B 7/0018; B05B 7/02;  
B05B 7/129; B05B 7/24; B05B 7/2475;  
B05B 7/2491; B05B 9/00; B05B 9/01;  
B05B 9/03; B05B 9/08; B05B 9/085;  
B05B 9/0861; B05B 9/0883; B05B  
9/0888; B08B 3/026; A01M 7/0046  
See application file for complete search history.

(56) **References Cited**

**U.S. PATENT DOCUMENTS**

3,069,092 A \* 12/1962 Norvell, Jr. .... B05B 1/24  
239/133  
3,963,180 A \* 6/1976 Wagner ..... B05B 9/01  
239/288.5  
D270,368 S \* 8/1983 Grime ..... D23/225  
D285,477 S \* 9/1986 Hengesbach ..... D23/225

**OTHER PUBLICATIONS**

Tornador MAX, Nov. 5, 2020, YouTube, site visited Dec. 28, 2021:  
<https://www.youtube.com/watch?v=8KLTvNVIW24> (Year: 2020).\*

(Continued)

*Primary Examiner* — Jack Reickel

*Assistant Examiner* — Bobby W Jones, II

(74) *Attorney, Agent, or Firm* — Kowert, Hood, Munyon,  
Rankin & Goetzel, P.C.; Gareth M. Sampson

(57) **CLAIM**

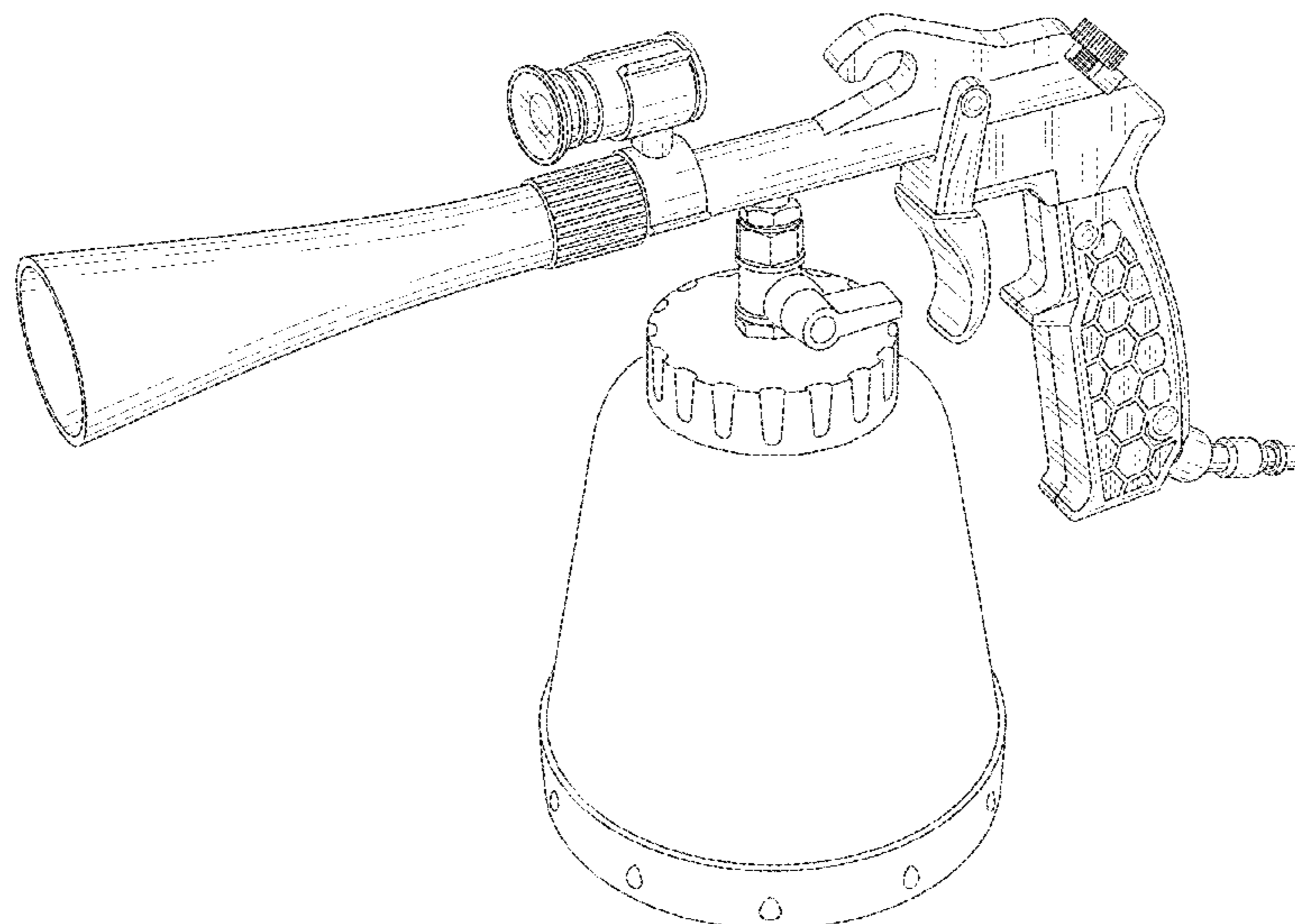
The ornamental design for a nozzle handle with a flashlight and a cup, as shown and described.

**DESCRIPTION**

FIG. 1 is a left side perspective view of a nozzle handle with flashlight and cup showing the new design;  
FIG. 2 is a left side elevational view thereof;  
FIG. 3 is a right side elevational view thereof;  
FIG. 4 is a front elevational view thereof;  
FIG. 5 is a rear elevational view thereof;  
FIG. 6 is a top plan view thereof; and,  
FIG. 7 is a bottom plan view thereof.

The broken line showing of the nozzle is included for the purpose of illustrating portions of the article and forms no part of the claimed design. The broken line showing of attachments is included for the purpose of illustrating environmental structure and forms no part of the claimed design.

**1 Claim, 7 Drawing Sheets**



(56)

**References Cited**

U.S. PATENT DOCUMENTS

D742,998 S \* 11/2015 Gooden ..... B05B 7/2443  
 D23/225  
 9,211,560 B1 \* 12/2015 Chen ..... B05B 3/06  
 D772,380 S \* 11/2016 Fontaine ..... D23/225  
 10,259,002 B1 \* 4/2019 Kuo ..... B05B 7/2491  
 2002/0100823 A1 \* 8/2002 Robidoux ..... B05B 5/1691  
 239/697  
 2009/0057443 A1 \* 3/2009 Sendo ..... B08B 3/026  
 239/405  
 2010/0176219 A1 \* 7/2010 Hasegawa ..... B05B 7/0433  
 239/407  
 2010/0320289 A1 \* 12/2010 Kuo ..... B05B 7/2435  
 239/290  
 2011/0089261 A1 \* 4/2011 Gohring ..... B05B 7/2408  
 239/310  
 2012/0286071 A1 \* 11/2012 Lin ..... B05B 3/06  
 239/525  
 2012/0306108 A1 \* 12/2012 Chou ..... B01F 5/0693  
 261/78.2

2015/0000705 A1 \* 1/2015 Dehn ..... B05B 3/06  
 134/21  
 2016/0339458 A1 \* 11/2016 Fu ..... B05B 1/005  
 2019/0015876 A1 \* 1/2019 Wang ..... B08B 5/02  
 2020/0056721 A1 \* 2/2020 Lam ..... B05B 7/2418  
 2021/0086212 A1 \* 3/2021 Poppe ..... B05B 9/0833

OTHER PUBLICATIONS

Tornador Classic Z-010RS, Sep. 23, 2019, YouTube, site visited Dec. 28, 2021: [https://www.youtube.com/watch?v=aL\\_-sxMx8UU](https://www.youtube.com/watch?v=aL_-sxMx8UU) (Year: 2019).\*

Practisol Car Interior Cleaner, May 3, 2019, Amazon, site visited Dec. 28, 2021: <https://www.amazon.ca/dp/B07RBN4J5Q/> (Year: 2019).\*

Fochutech High Pressure Car Cleaning Gun, Nov. 19, 2018, Amazon, site visited Dec. 28, 2021: <https://www.amazon.ca/dp/B07KPT7TRC/> (Year: 2018).\*

\* cited by examiner

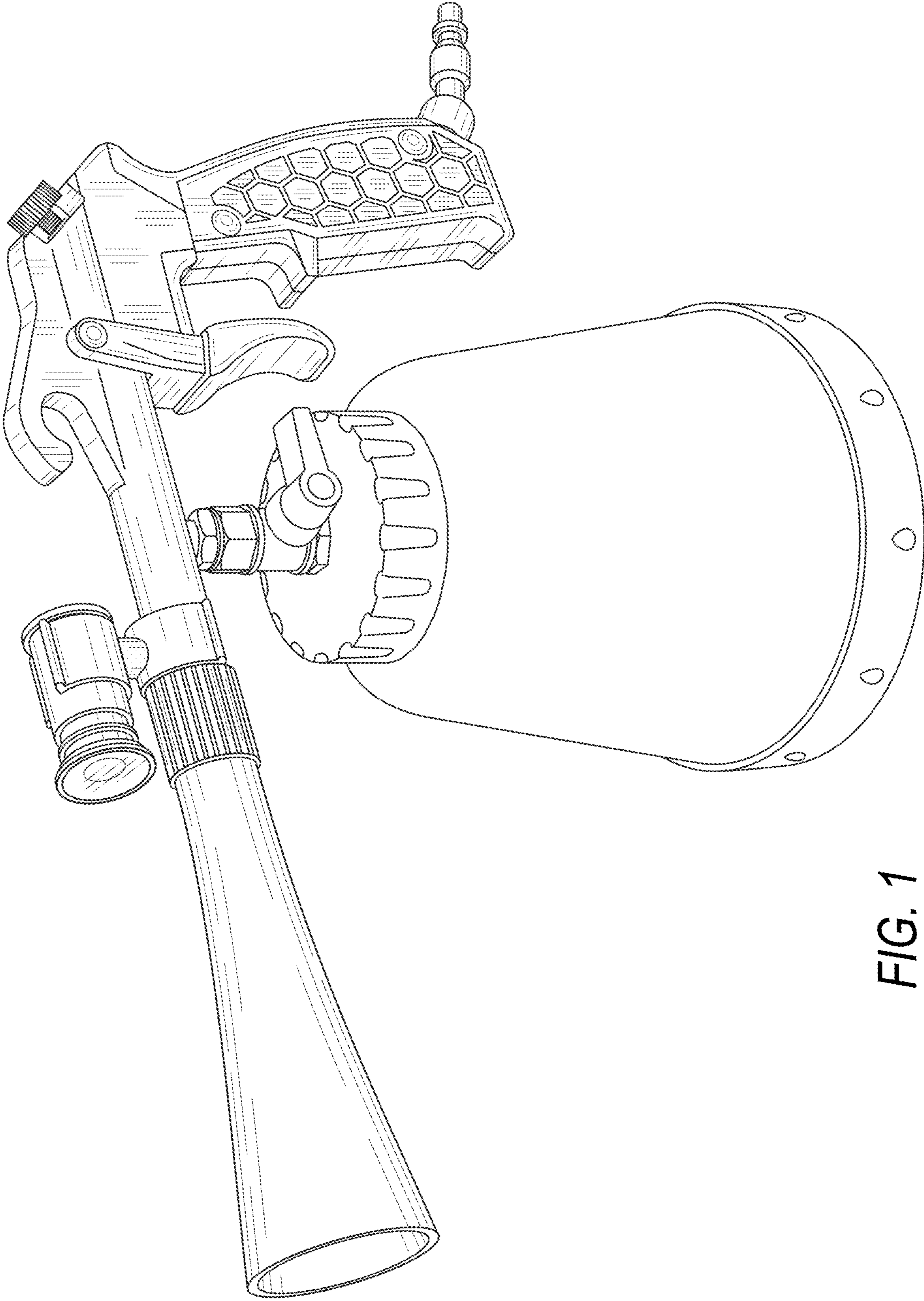


FIG. 1

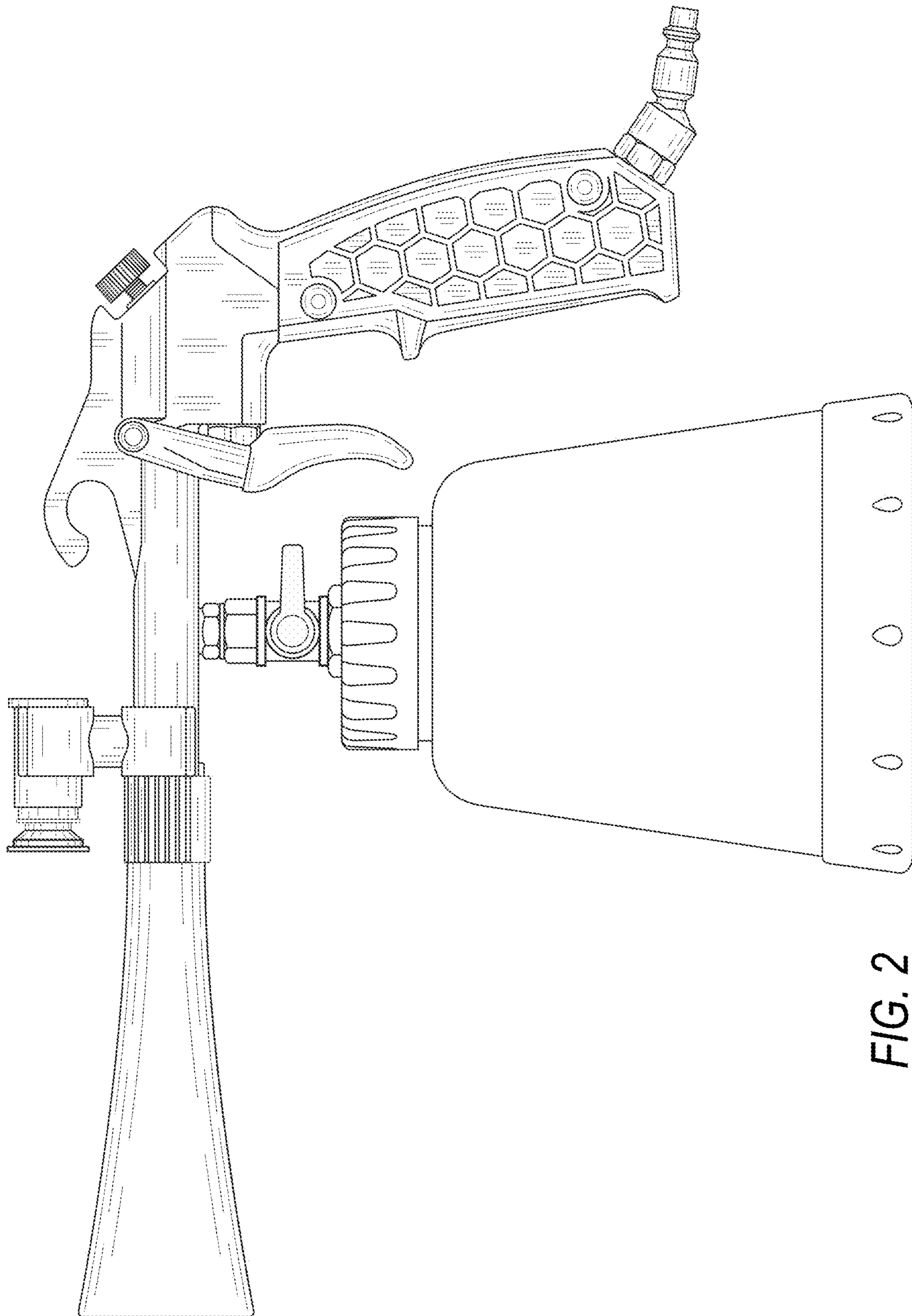


FIG. 2

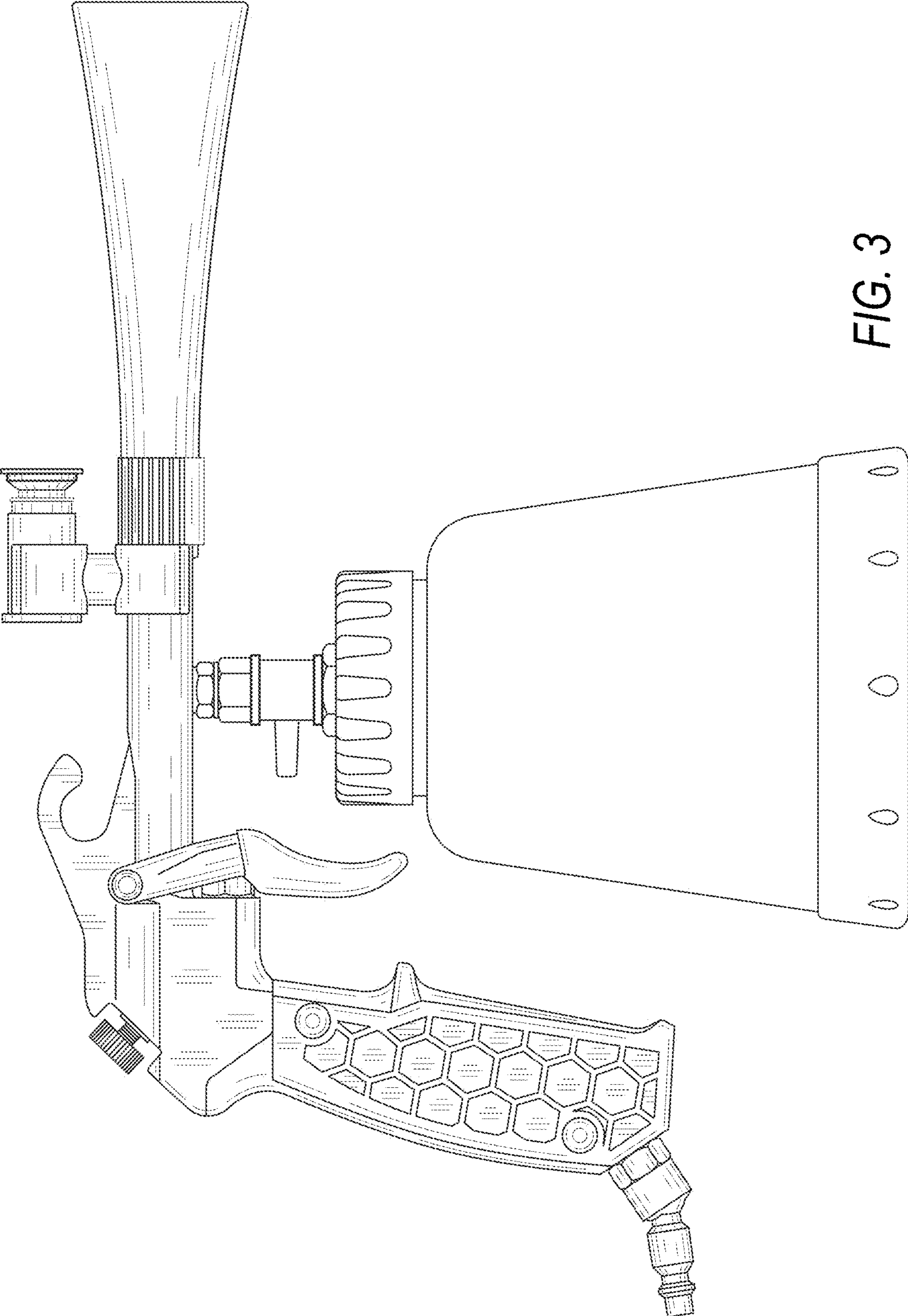
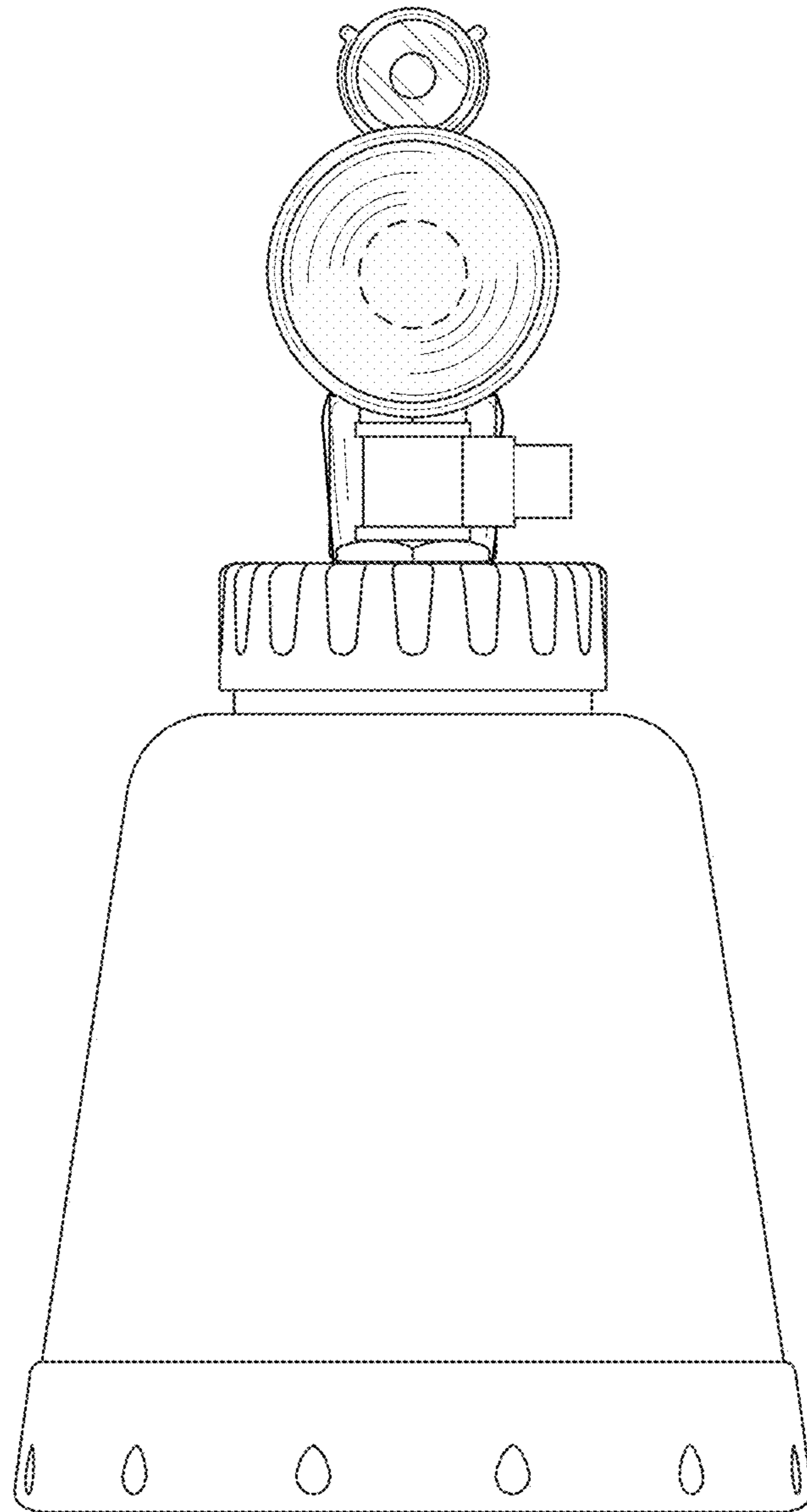
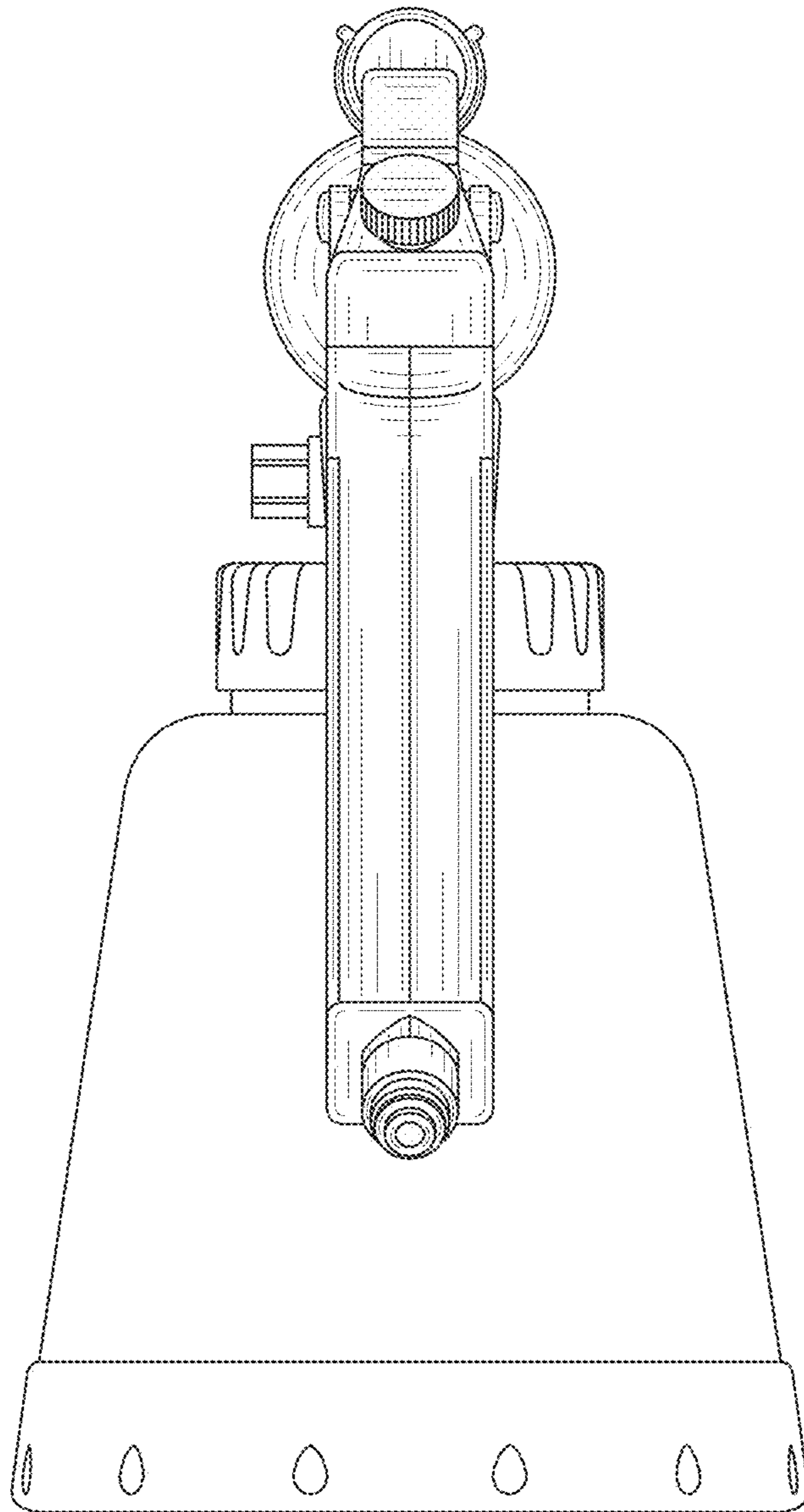


FIG. 3



*FIG. 4*



*FIG. 5*

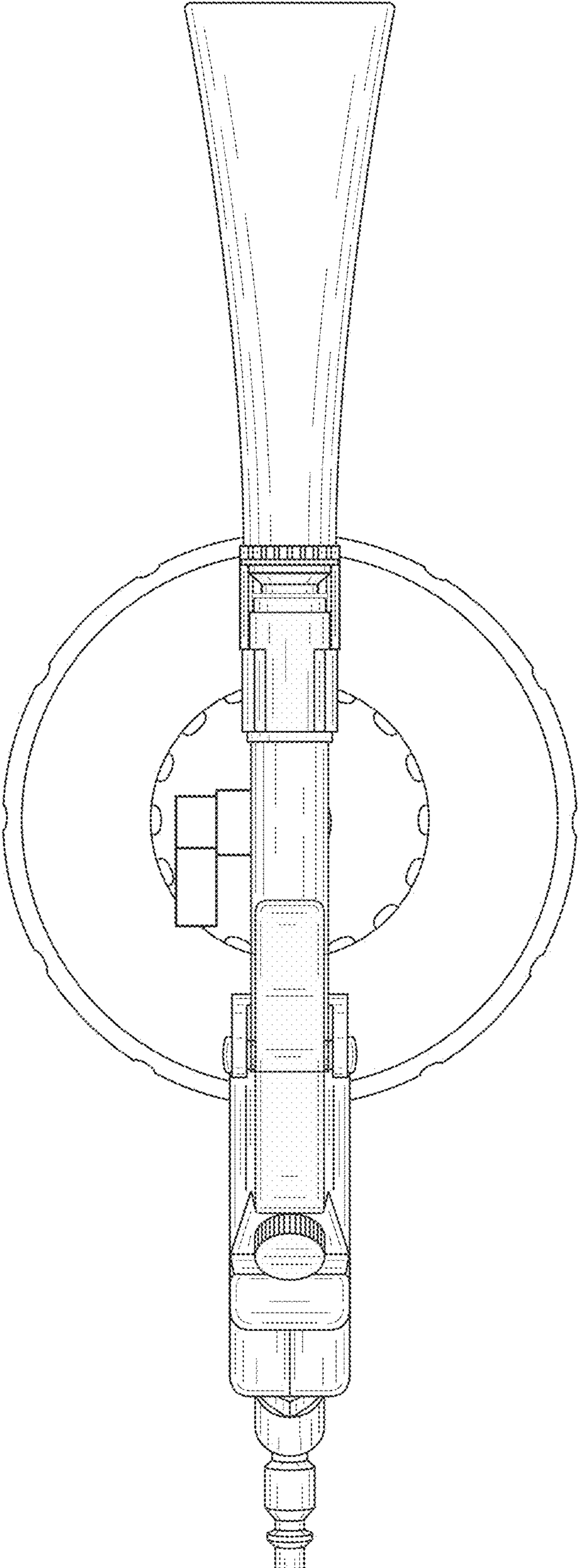


FIG. 6



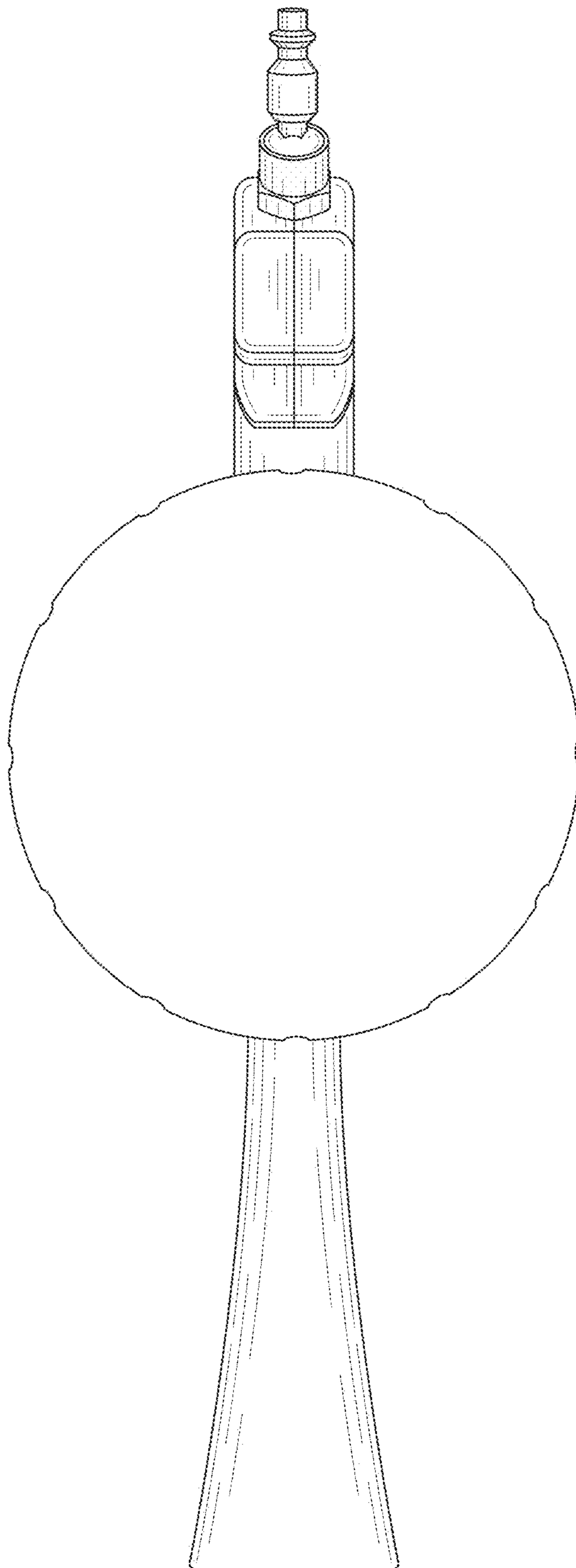


FIG. 7