



US00D973841S

(12) **United States Design Patent**
Pieroni

(10) **Patent No.:** **US D973,841 S**

(45) **Date of Patent:** **** *Dec. 27, 2022**

- (54) **NOZZLE HANDLE WITH A CUP**
- (71) Applicant: **ECP Incorporated**, Woodridge, IL (US)
- (72) Inventor: **Daniel P. Pieroni**, Naperville, IL (US)
- (73) Assignee: **ECP Incorporated**, Woodridge, IL (US)
- (*) Notice: This patent is subject to a terminal disclaimer.
- (**) Term: **15 Years**
- (21) Appl. No.: **29/756,920**
- (22) Filed: **Nov. 1, 2020**
- (51) **LOC (13) Cl.** **23-01**
- (52) **U.S. Cl.**
USPC **D23/225**
- (58) **Field of Classification Search**
USPC D23/213, 223, 225, 226; D3/217
CPC B05B 5/00; B05B 5/025; B05B 5/0255;
B05B 5/03; B05B 5/16; B05B 5/1691;
B05B 7/00; B05B 7/0018; B05B 7/02;
B05B 7/129; B05B 7/24; B05B 7/2475;
B05B 7/2491; B05B 9/00; B05B 9/01;
B05B 9/03; B05B 9/08; B05B 9/085;
B05B 9/0861; B05B 9/0883; B05B
9/0888; B08B 3/026; A01M 7/0046
See application file for complete search history.

- D297,350 S * 8/1988 Kille D23/225
 - D314,649 S * 2/1991 Campbell, Sr. D23/223
 - 5,074,467 A * 12/1991 Geberth B05B 12/00
239/8
 - 5,381,957 A * 1/1995 Bianco B05B 1/08
239/428.5
 - 6,883,732 B2 * 4/2005 Hasegawa B05B 3/00
239/318
 - D692,531 S * 10/2013 Li D23/226
- (Continued)

OTHER PUBLICATIONS

Tornador MAX, Nov. 5, 2020, YouTube, site visited Dec. 28, 2021:
<https://www.youtube.com/watch?v=8KLTvNVIW24> (Year: 2020).*

(Continued)

Primary Examiner — Jack Reickel
Assistant Examiner — Bobby W Jones, II
(74) *Attorney, Agent, or Firm* — Kowert, Hood, Munyon,
Rankin & Goetzel, P.C.; Gareth M. Sampson

(57) **CLAIM**

The ornamental design for a nozzle handle with a cup, as shown and described.

DESCRIPTION

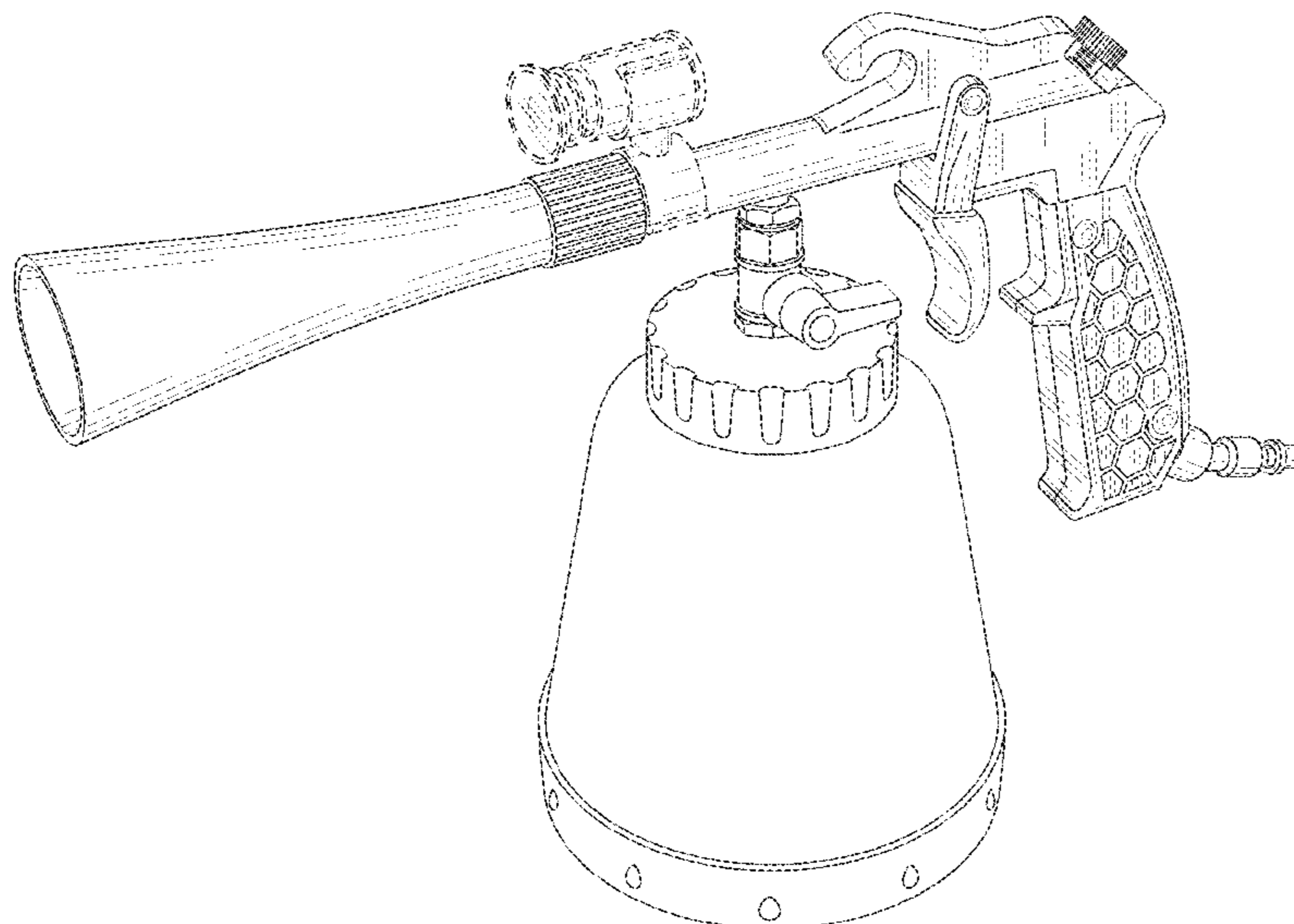
FIG. 1 is a left side perspective view of a nozzle handle with cup showing the new design;
FIG. 2 is a left side elevational view thereof;
FIG. 3 is a right side elevational view thereof;
FIG. 4 is a front elevational view thereof;
FIG. 5 is a rear elevational view thereof;
FIG. 6 is a top plan view thereof; and,
FIG. 7 is a bottom plan view thereof.
The broken line showing of the nozzle is included for the purpose of illustrating portions of the article and forms no part of the claimed design. The broken line showing of attachments is included for the purpose of illustrating environmental structure and forms no part of the claimed design.

1 Claim, 7 Drawing Sheets

(56) **References Cited**

U.S. PATENT DOCUMENTS

- 3,069,092 A * 12/1962 Norvell, Jr. B05B 1/24
239/133
- 3,963,180 A * 6/1976 Wagner B05B 9/01
239/288.5
- D270,368 S * 8/1983 Grime D23/225
- D285,477 S * 9/1986 Hengesbach D23/225



(56)

References Cited

U.S. PATENT DOCUMENTS

D742,998 S * 11/2015 Gooden B05B 7/2443
 D23/225
 9,211,560 B1 * 12/2015 Chen B05B 3/06
 D772,380 S * 11/2016 Fontaine D23/225
 10,259,002 B1 * 4/2019 Kuo B05B 7/2491
 2002/0100823 A1 * 8/2002 Robidoux B05B 5/1691
 239/697
 2009/0057443 A1 * 3/2009 Sendo B08B 3/026
 239/405
 2010/0176219 A1 * 7/2010 Hasegawa B05B 7/0433
 239/407
 2010/0320289 A1 * 12/2010 Kuo B05B 7/2435
 239/290
 2011/0089261 A1 * 4/2011 Gohring B05B 7/2408
 239/310
 2012/0286071 A1 * 11/2012 Lin B05B 3/06
 239/525
 2012/0306108 A1 * 12/2012 Chou B01F 5/0693
 261/78.2

2015/0000705 A1 * 1/2015 Dehn B05B 3/06
 134/21
 2016/0339458 A1 * 11/2016 Fu B05B 1/005
 2019/0015876 A1 * 1/2019 Wang B08B 5/02
 2020/0056721 A1 * 2/2020 Lam B05B 7/2418
 2021/0086212 A1 * 3/2021 Poppe B05B 9/0833

OTHER PUBLICATIONS

Tornador Classic Z-010RS, Sep. 23, 2019, YouTube, site visited Dec. 28, 2021: https://www.youtube.com/watch?v=aL_-sxMx8UU (Year: 2019).*

Practisol Car Interior Cleaner, May 3, 2019, Amazon, site visited Dec. 28, 2021: <https://www.amazon.ca/dp/B07RBN4J5Q/> (Year: 2019).*

Fochutech High Pressure Car Cleaning Gun, Nov. 19, 2018, Amazon, site visited Dec. 28, 2021: <https://www.amazon.ca/dp/B07KPT7TRC/> (Year: 2018).*

* cited by examiner

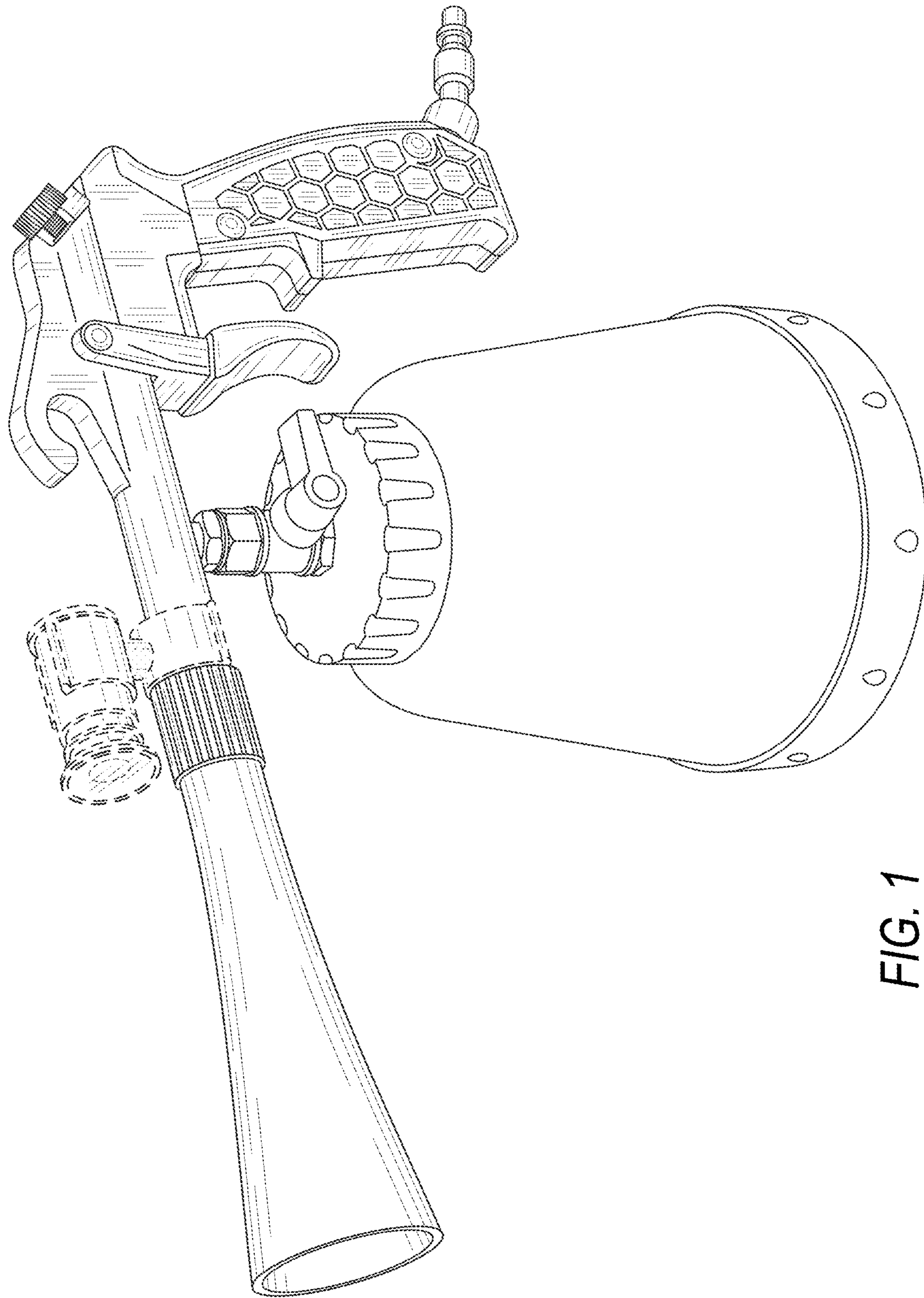


FIG. 1

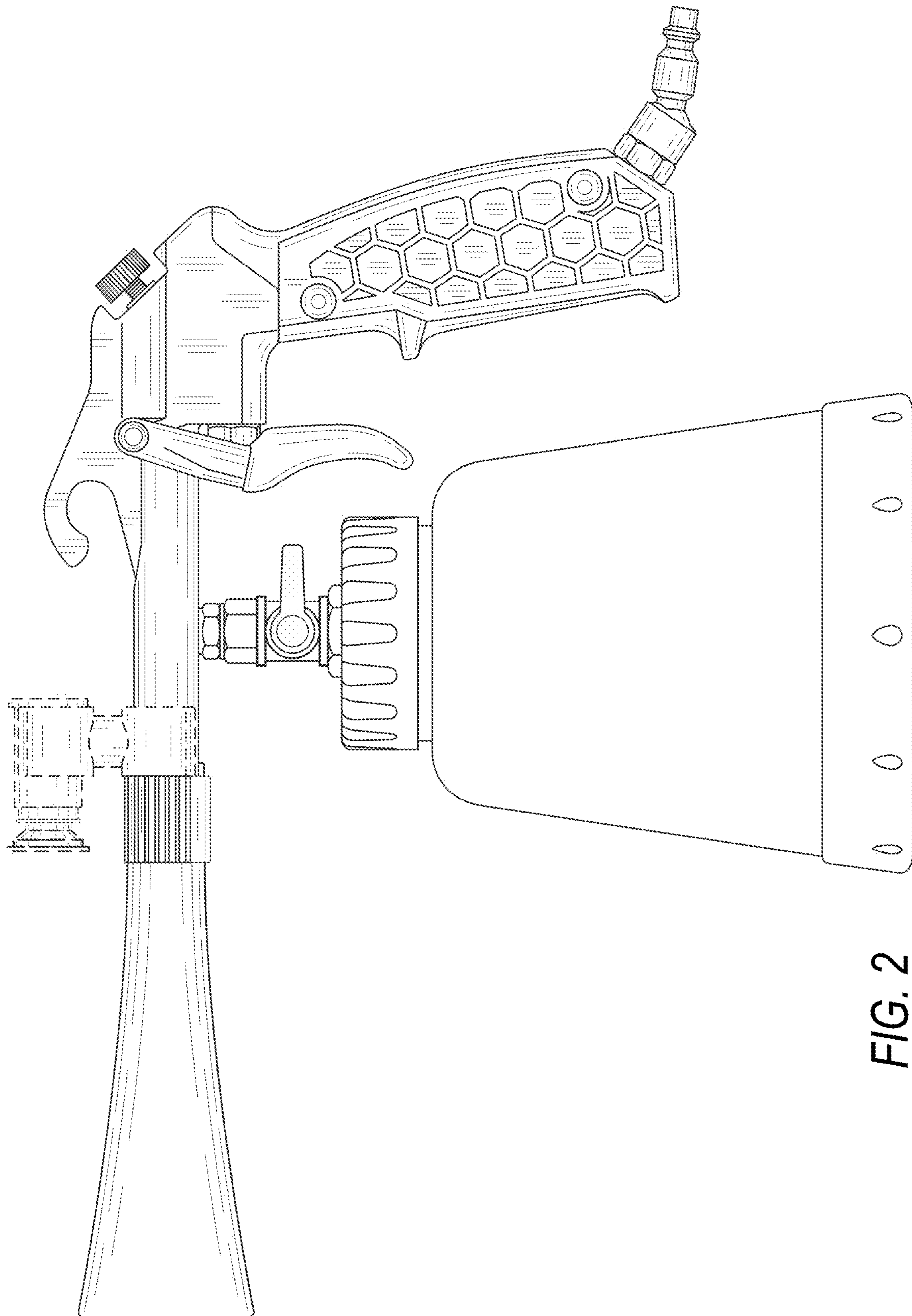


FIG. 2

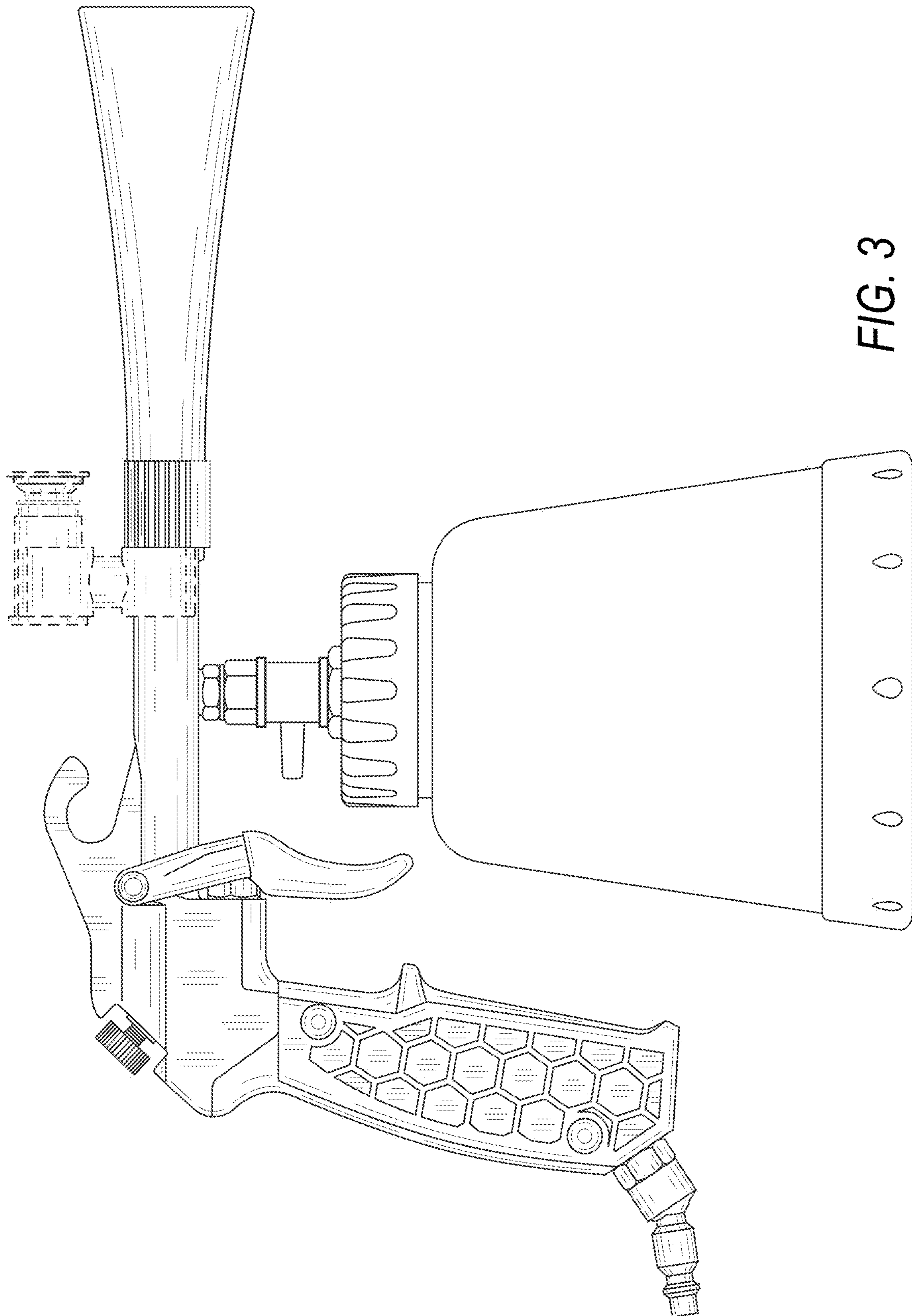


FIG. 3

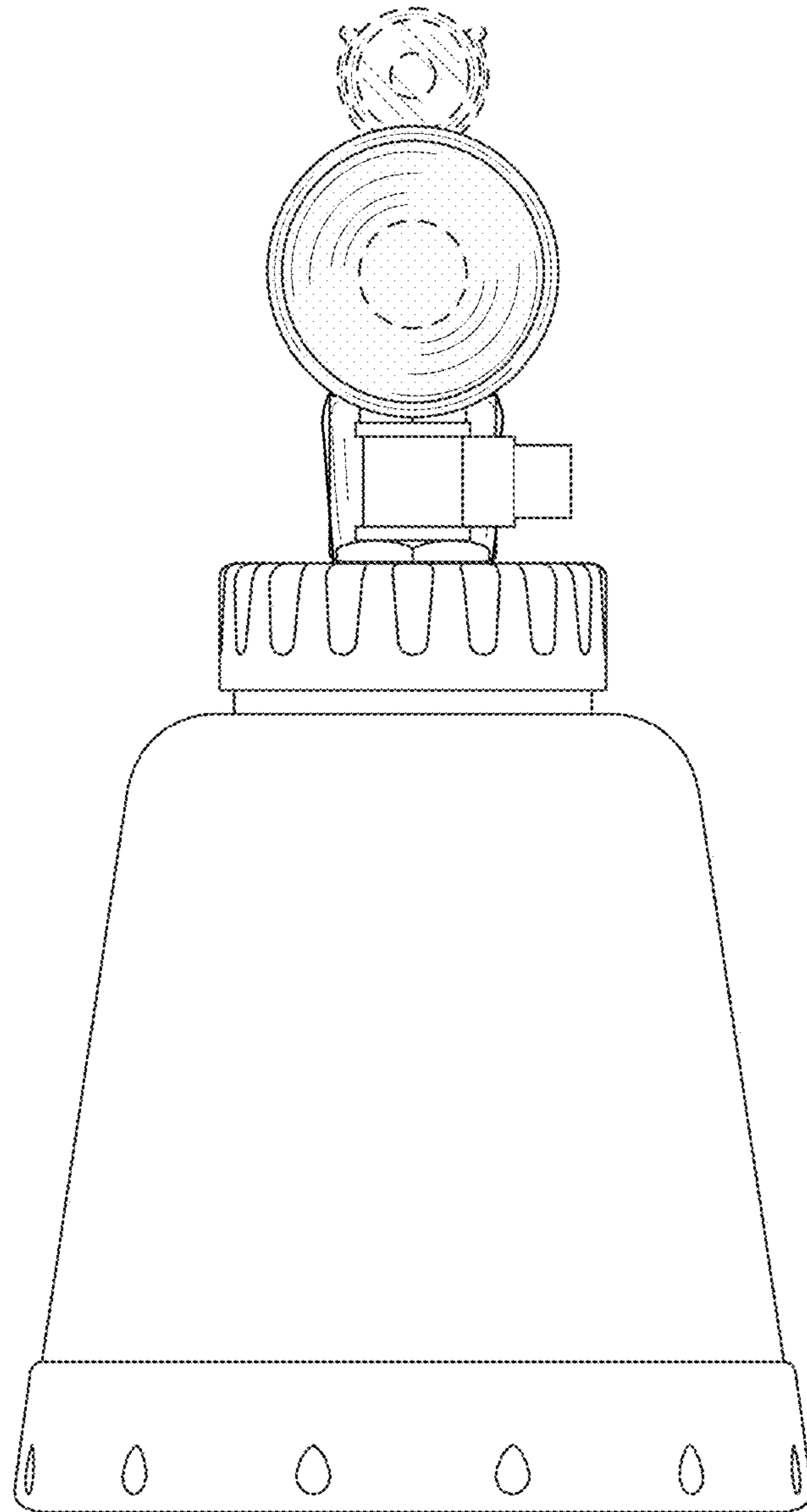


FIG. 4

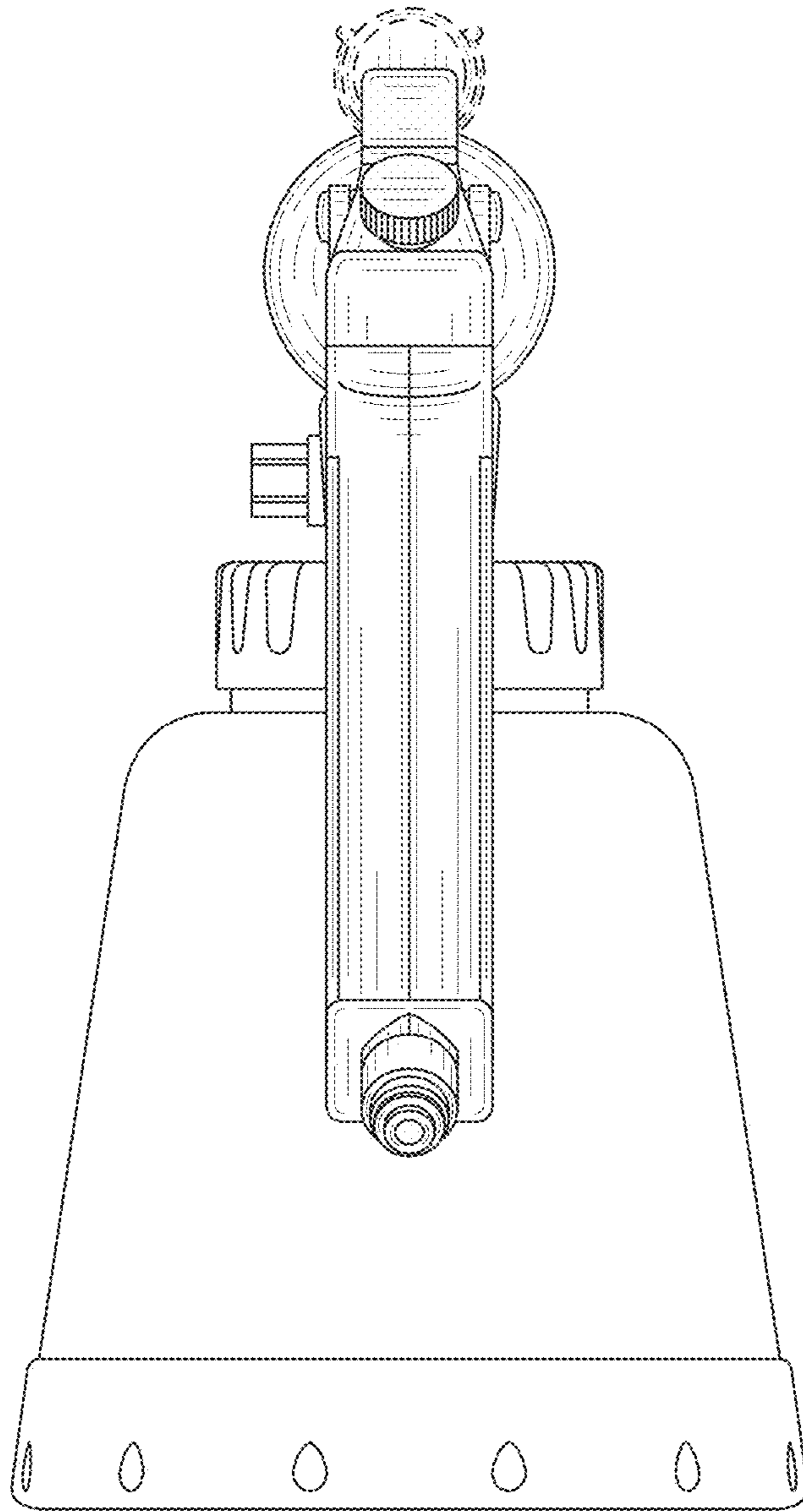


FIG. 5

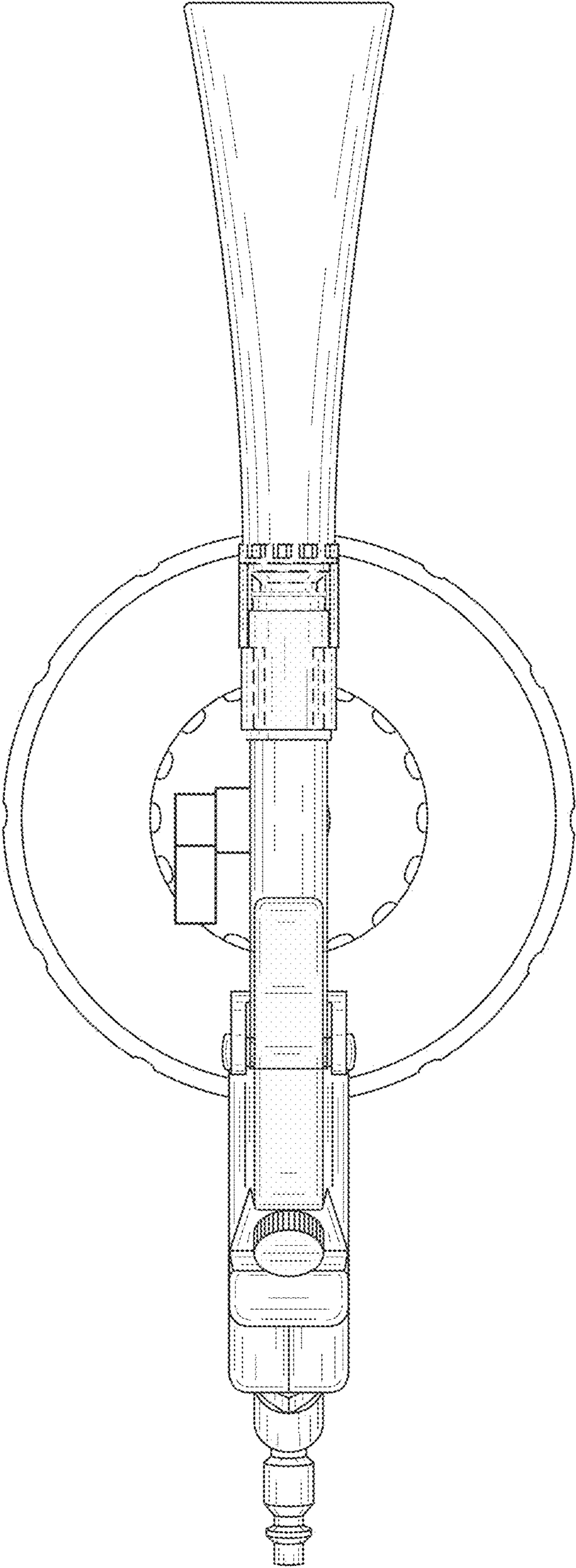


FIG. 6

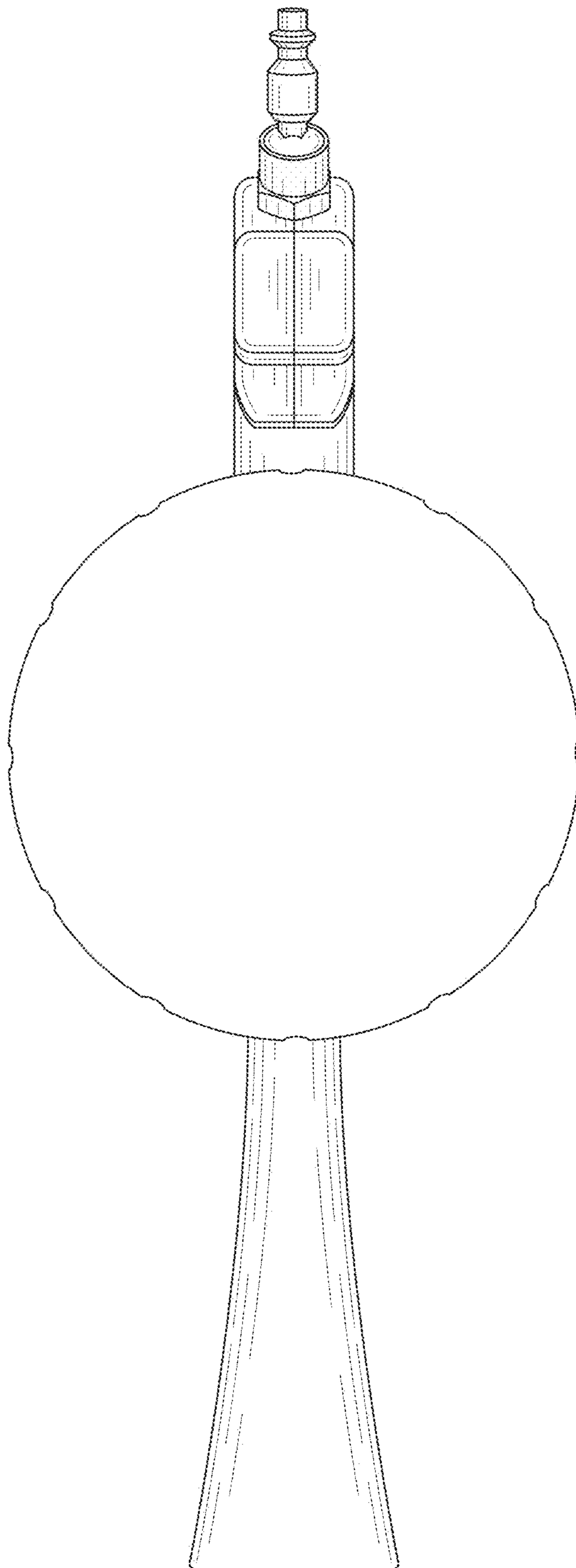


FIG. 7