



US00D973840S

(12) **United States Design Patent**  
**Allis et al.**

(10) **Patent No.:** **US D973,840 S**  
(45) **Date of Patent:** **\*\* Dec. 27, 2022**

(54) **DUAL CHAMBER BACKPACK SPRAYER**  
(71) Applicant: **Chapin Manufacturing, Inc.**, Batavia,  
NY (US)  
(72) Inventors: **Morgan Allis**, Buffalo, NY (US);  
**David Dubiel**, N. Chili, NY (US)  
(73) Assignee: **Chapin Manufacturing, Inc.**, Batavia,  
NY (US)

(\*\*) Term: **15 Years**

(21) Appl. No.: **29/683,552**

(22) Filed: **Mar. 14, 2019**

(51) **LOC (13) Cl.** ..... **23-01**

(52) **U.S. Cl.**  
USPC ..... **D23/225**

(58) **Field of Classification Search**  
USPC .... D23/201, 202, 206, 211.1, 223–227, 247;  
D30/121, 132; D3/216  
CPC ..... A01K 7/00; B05B 9/08; B05B 9/0805;  
B05B 9/0811; B05B 9/0816; B05B  
9/0822  
See application file for complete search history.

(56) **References Cited**

**U.S. PATENT DOCUMENTS**

4,798,333 A \* 1/1989 Luchsinger ..... B05B 9/0877  
92/99  
5,335,853 A \* 8/1994 Wirz ..... B05B 9/0877  
239/142  
D591,387 S \* 4/2009 Campbell ..... D23/202  
D594,087 S \* 6/2009 Campbell ..... D23/202  
D618,300 S \* 6/2010 Hudson ..... D23/202  
D633,984 S \* 3/2011 Plantz ..... D23/202

D749,192 S \* 2/2016 Fontaine ..... D23/225  
D755,926 S \* 5/2016 Wirz Luchsinger .. B05B 9/0877  
D23/225  
10,562,052 B2 \* 2/2020 Fontaine ..... B05B 9/0861  
D902,347 S \* 11/2020 Gutekunst ..... F04B 17/06  
D23/223  
D902,349 S \* 11/2020 Gutekunst ..... B05B 9/0413  
D23/225  
10,864,538 B2 \* 12/2020 Allis ..... B05B 9/0822  
10,994,294 B2 \* 5/2021 Fontaine ..... F04B 17/06  
2016/0038960 A1 \* 2/2016 Fontaine ..... B05B 9/0861  
239/332  
2017/0232458 A1 \* 8/2017 Wirz Luchsinger .. B05B 9/0413  
137/141

\* cited by examiner

*Primary Examiner* — Calvin E Vasant

(74) *Attorney, Agent, or Firm* — Woods Oviatt Gilman  
LLP; Katherine H. McGuire, Esq.

(57) **CLAIM**

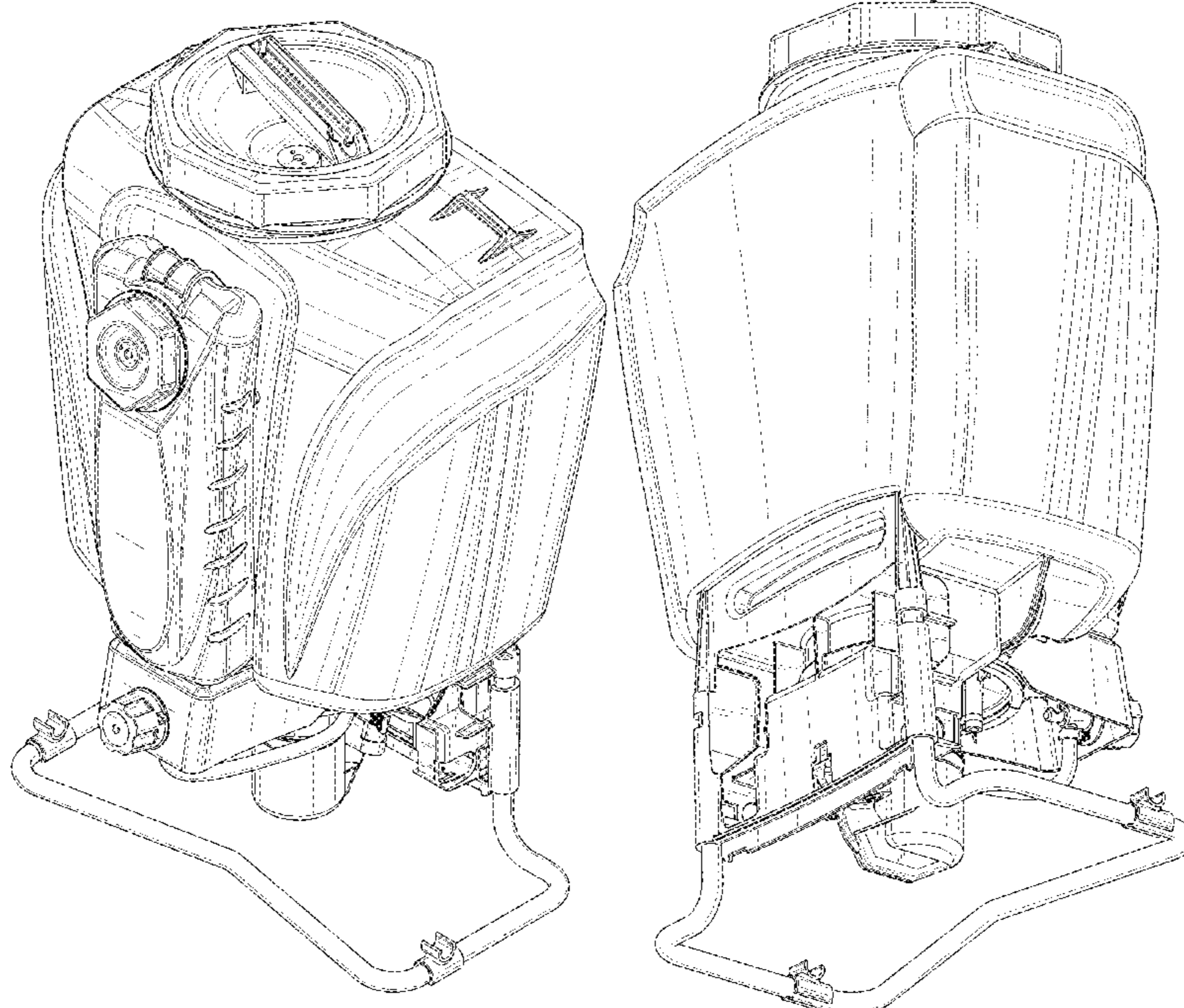
The ornamental design of a dual chamber backpack sprayer,  
as shown and described.

**DESCRIPTION**

FIG. 1 is a top, front perspective view of a dual chamber  
backpack sprayer of our new design;  
FIG. 2 is a bottom, back perspective view thereof;  
FIG. 3 is a front view thereof;  
FIG. 4 is a back view thereof;  
FIG. 5 is a left side view thereof;  
FIG. 6 is a right side view thereof;  
FIG. 7 is a top view thereof; and,  
FIG. 8 is a bottom view thereof.

The broken lines depict portions of the dual chamber back-  
pack sprayer that form no part of the claim.

**1 Claim, 8 Drawing Sheets**



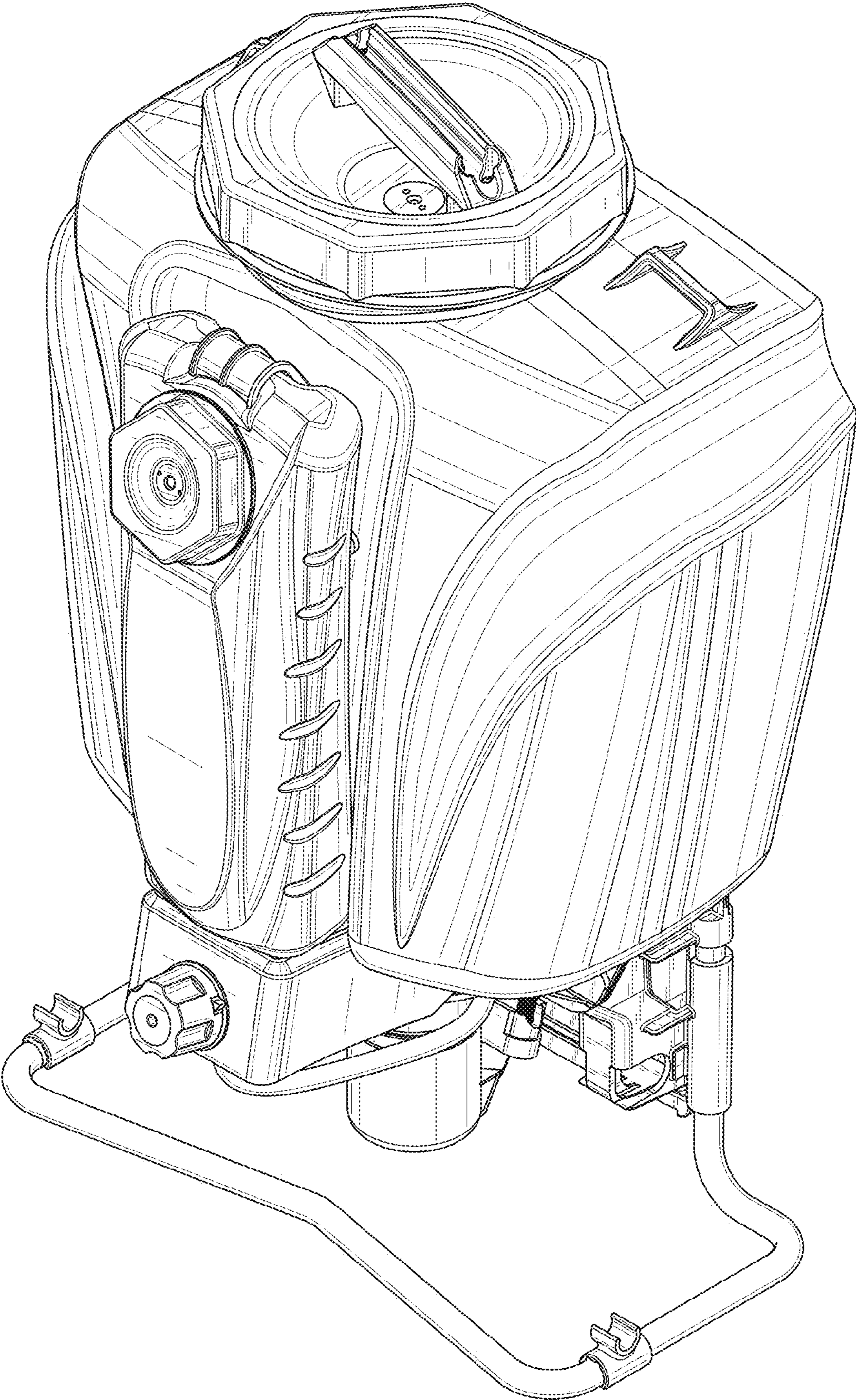


FIG. 1

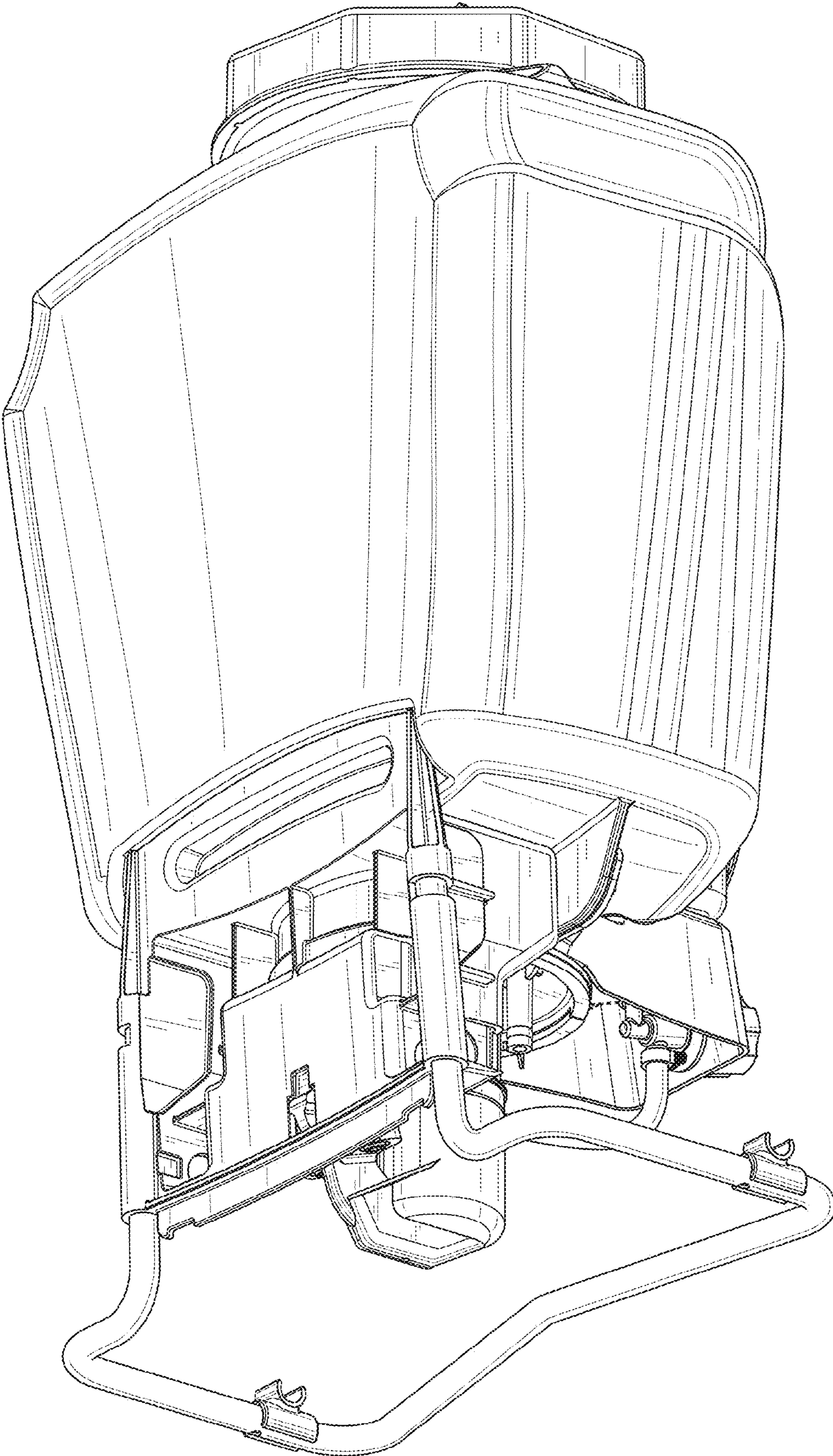


FIG. 2

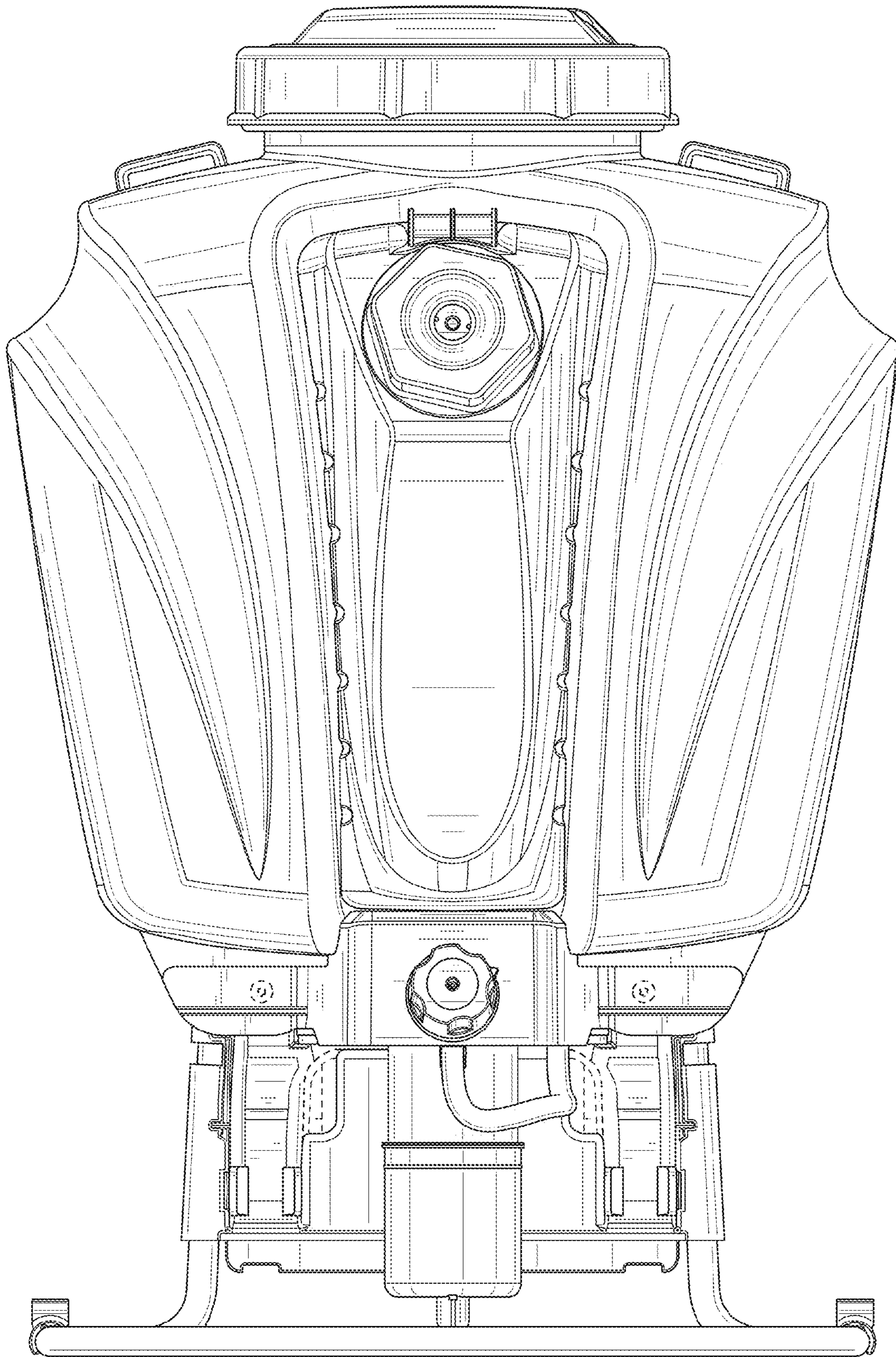


FIG. 3

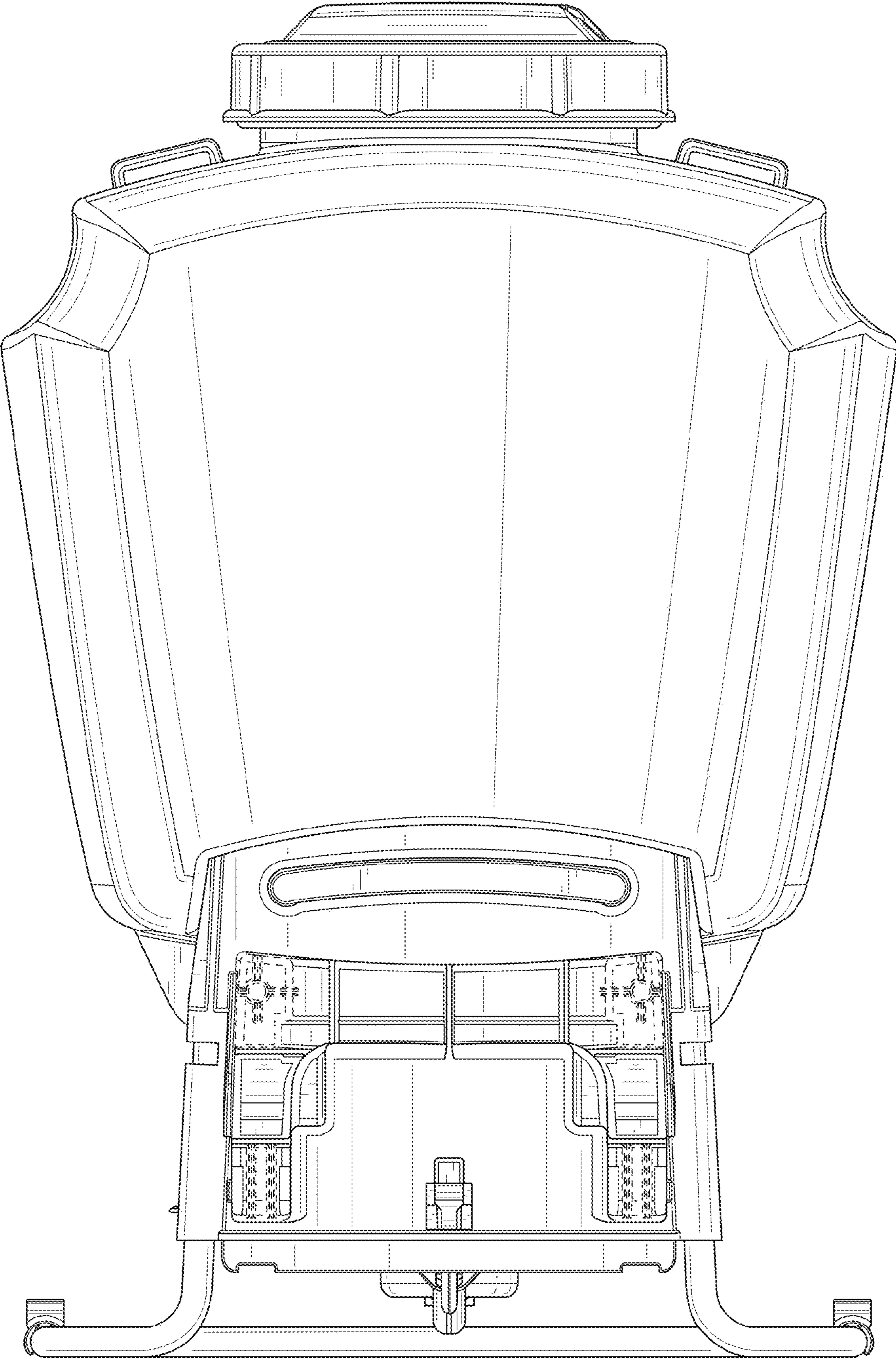


FIG. 4

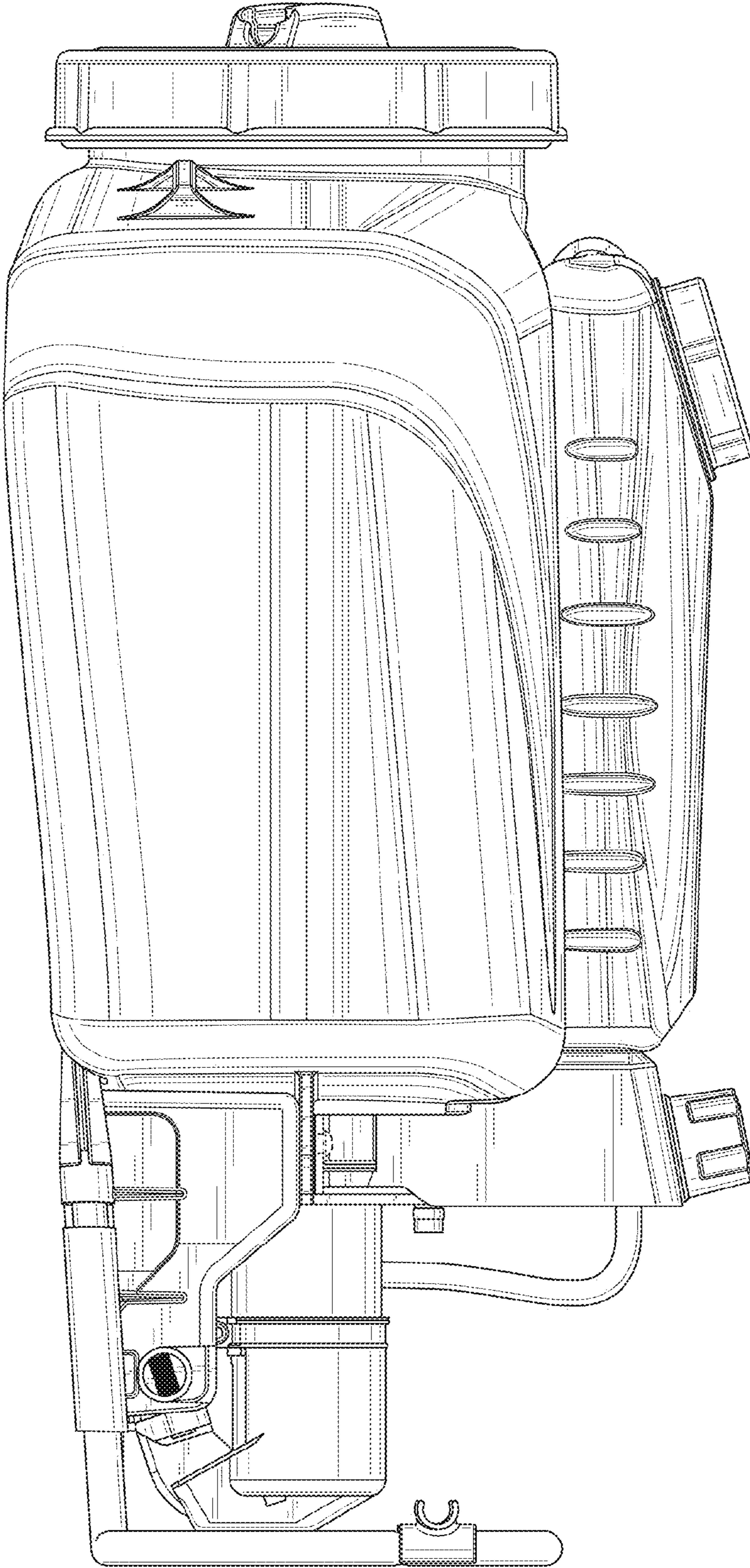


FIG. 5

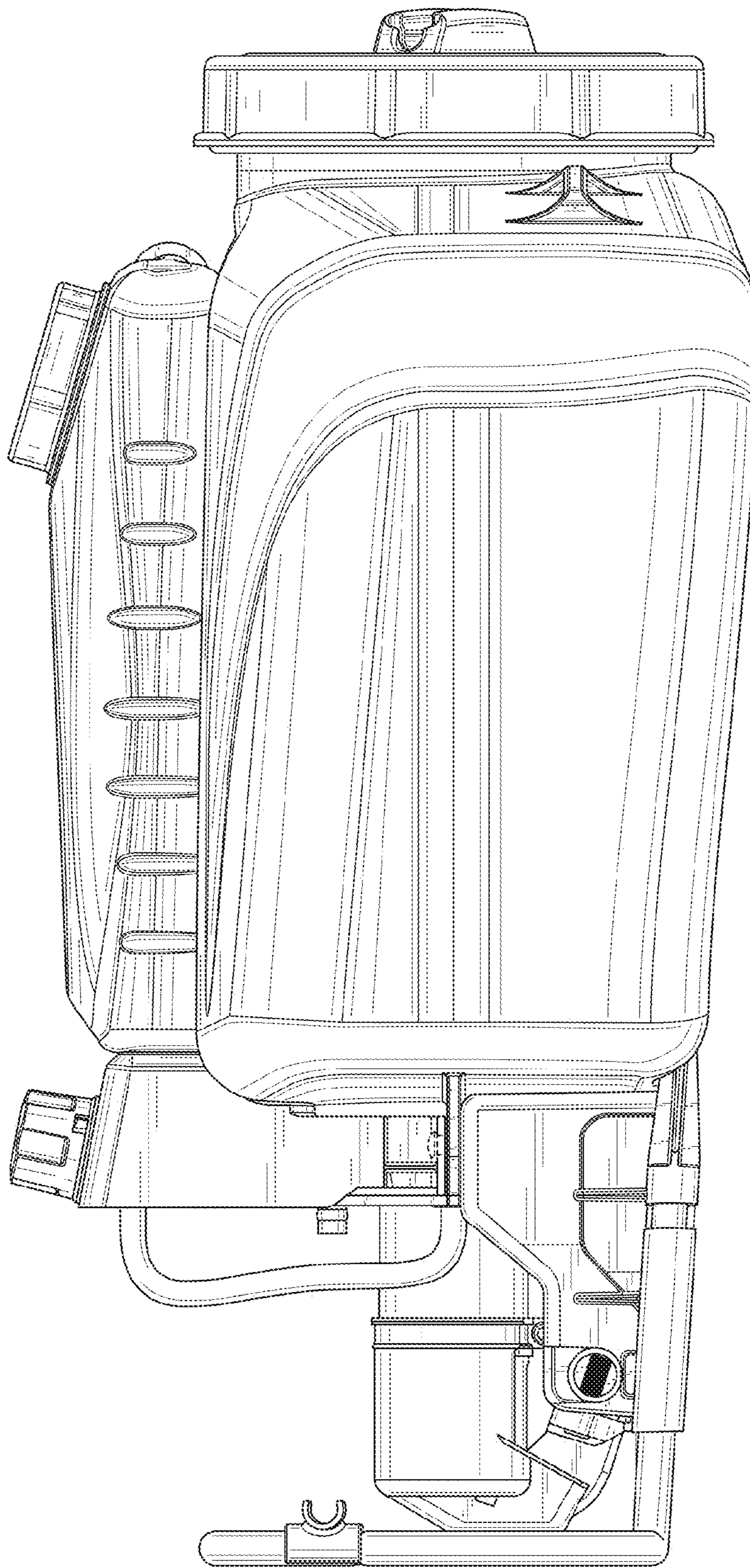


FIG. 6

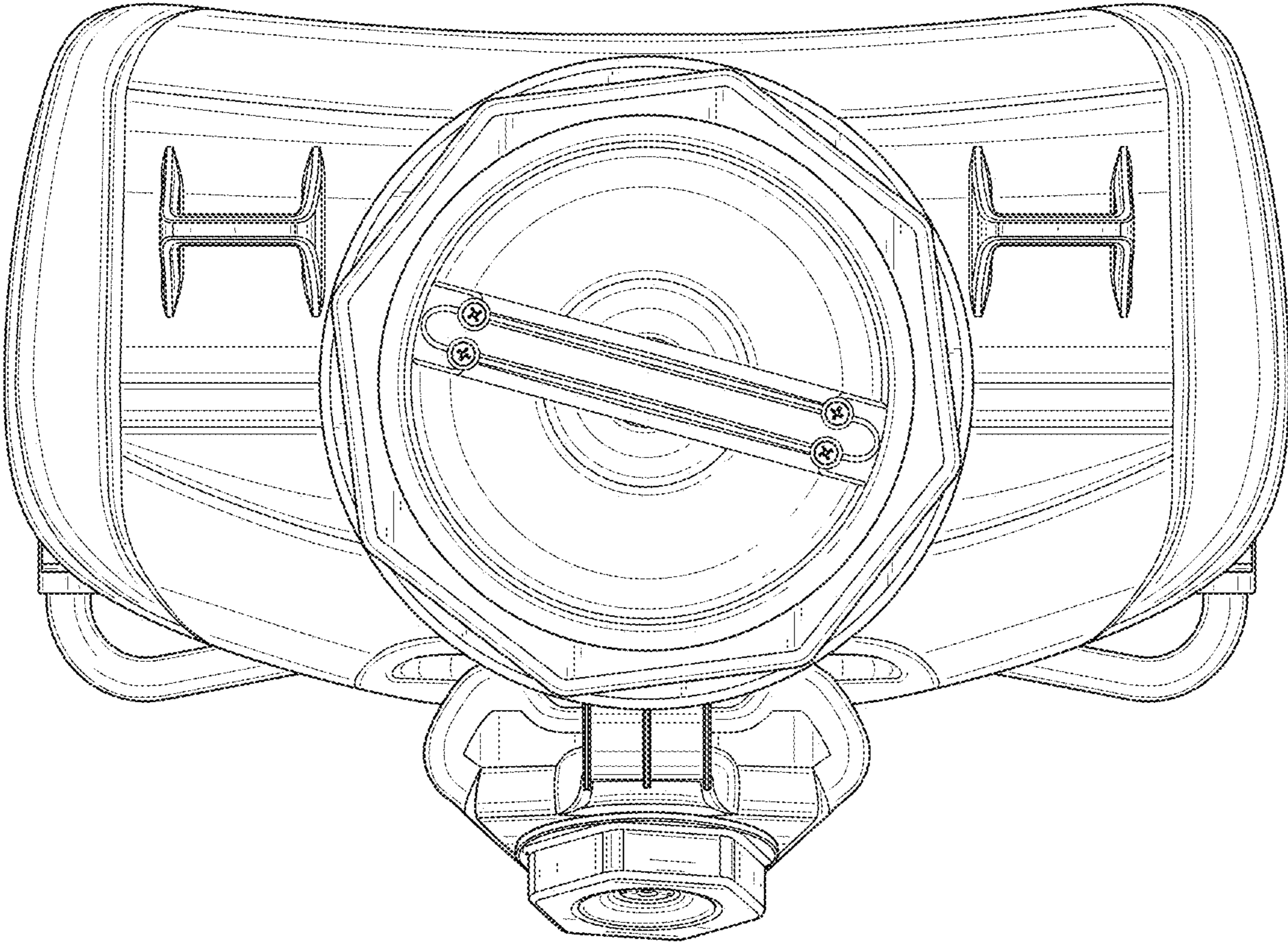


FIG. 7



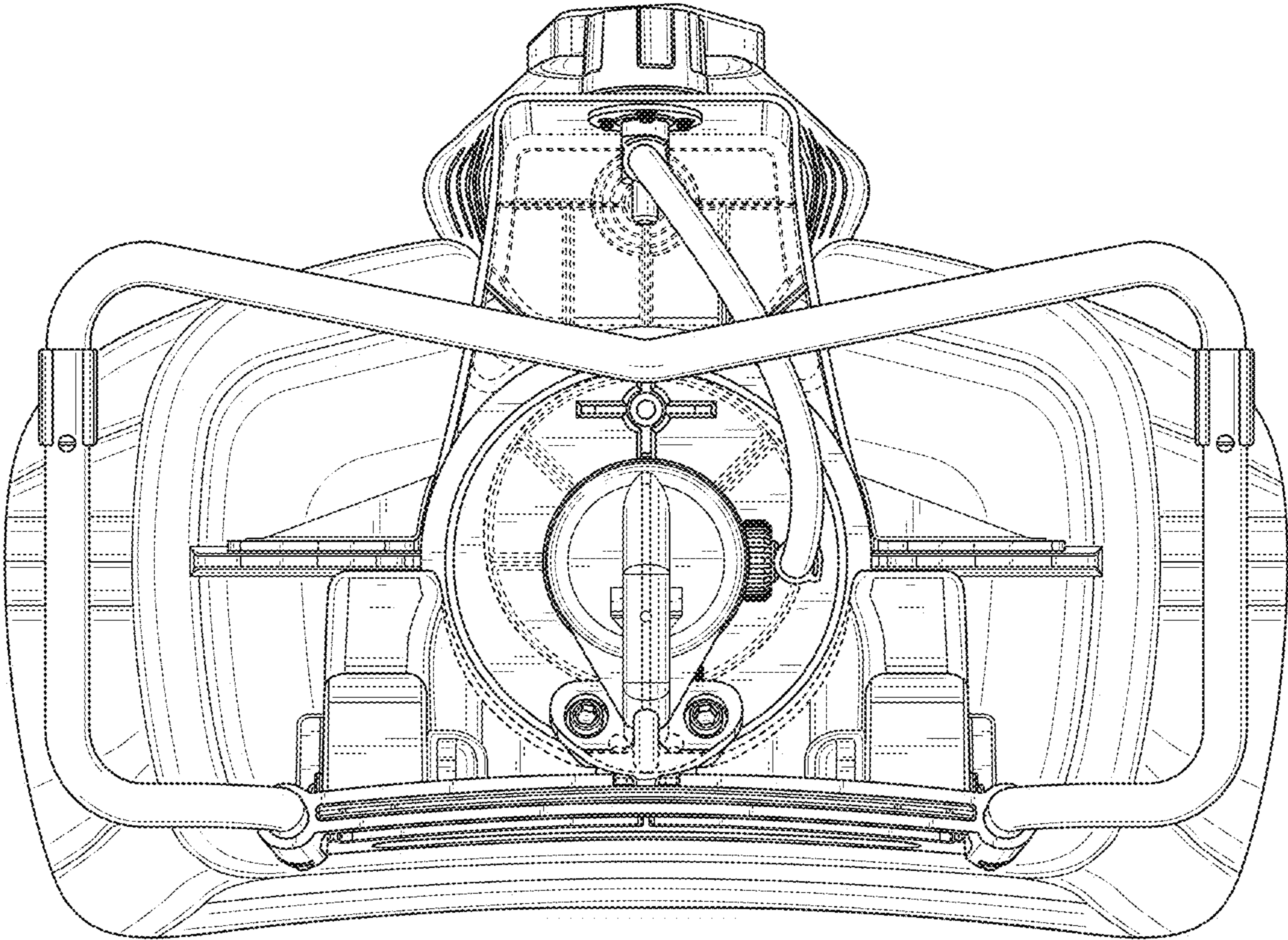


FIG. 8