



US00D973838S

(12) **United States Design Patent** (10) **Patent No.:** **US D973,838 S**
Morgan (45) **Date of Patent:** **** Dec. 27, 2022**

(54) **SHROUD OF AN ASPIRATING SPRAY NOZZLE**

(71) Applicant: **Spray Nozzle Engineering Pty Ltd**, Moorabbin (AU)

(72) Inventor: **Sean Morgan**, Moorabbin (AU)

(73) Assignee: **SPRAY NOZZLE ENGINEERING PTY LTD**, Moorabbin (AU)

(**) Term: **15 Years**

(21) Appl. No.: **29/751,161**

(22) Filed: **Sep. 18, 2020**

(51) **LOC (13) Cl.** **23-01**

(52) **U.S. Cl.**
USPC **D23/213**

(58) **Field of Classification Search**
USPC D23/213, 214, 215, 223, 224, 226, 229
CPC A61H 9/0021; A61H 33/00; B05B 1/00;
B05B 1/14; B05B 1/185; B05B 1/08;
B05B 1/02; B05B 1/26; B05B 12/002;
B05B 1/18; B05B 9/01

See application file for complete search history.

(56) **References Cited**

U.S. PATENT DOCUMENTS

D319,291 S	*	8/1991	Hanzel	D23/213
D577,100 S	*	9/2008	Brown	D23/213
D674,878 S	*	1/2013	Jones	D23/213
D693,427 S	*	11/2013	Jones	D23/213
D712,009 S	*	8/2014	Gopalan	D23/213
D728,070 S	*	4/2015	Schurle	D23/213
D749,693 S	*	2/2016	Evans	D23/213
D776,240 S	*	1/2017	Huang	D23/213
D797,890 S	*	9/2017	Brown	D23/213
D805,115 S	*	12/2017	Williams	D15/138
D833,572 S	*	11/2018	Wu	D23/213

OTHER PUBLICATIONS

3 piece Pop-Up/rotor Sprinkler, Sep. 21, 2020, homedepot.com, Nov. 3, 2021, URL: <https://www.homedepot.com/p/KUT-IT-3-piece->

Pop-Up-rotor-Sprinkler-Tool-Clear-grass-Use-Hand-Wrench-Drill-Flip-tool-unscrew-repair-lift-Sprinkler-KUT-03K/313664727 (Year: 2020).*

Fume Extraction Shrouds: A Detailed Explainer, Feb. 24, 2020, blog.binzel-abicor.com, Nov. 3, 2021, URL: <https://blog.binzel-abicor.com/fume-extraction-shrouds-a-detailed-explainer> (Year: 2020).*

Pop-Up Sprinkler Riser Extension, Aug. 29, 2020, homedepot.com, Nov. 3, 2021, URL: <https://www.homedepot.com/p/KAP-IT-Pop-Up-Sprinkler-Riser-Extension-Attach-to-Top-of-Pop-Up-1-5-lift-Pop-Up-Riser-Kap-Virtually-NO-Digging-2-pk-Kap-02R/313655761> (Year: 2020).*

* cited by examiner

Primary Examiner — Keith J Wilson

(74) *Attorney, Agent, or Firm* — Nath, Goldberg & Meyer; Joshua B. Goldberg

(57) **CLAIM**

The ornamental design for a shroud of an aspirating spray nozzle, as shown and described.

DESCRIPTION

FIG. 1 is a right side view for a shroud of an aspirating spray nozzle;

FIG. 2 is a left side view for a shroud of an aspirating spray nozzle;

FIG. 3 is a front perspective view for a shroud of an aspirating spray nozzle;

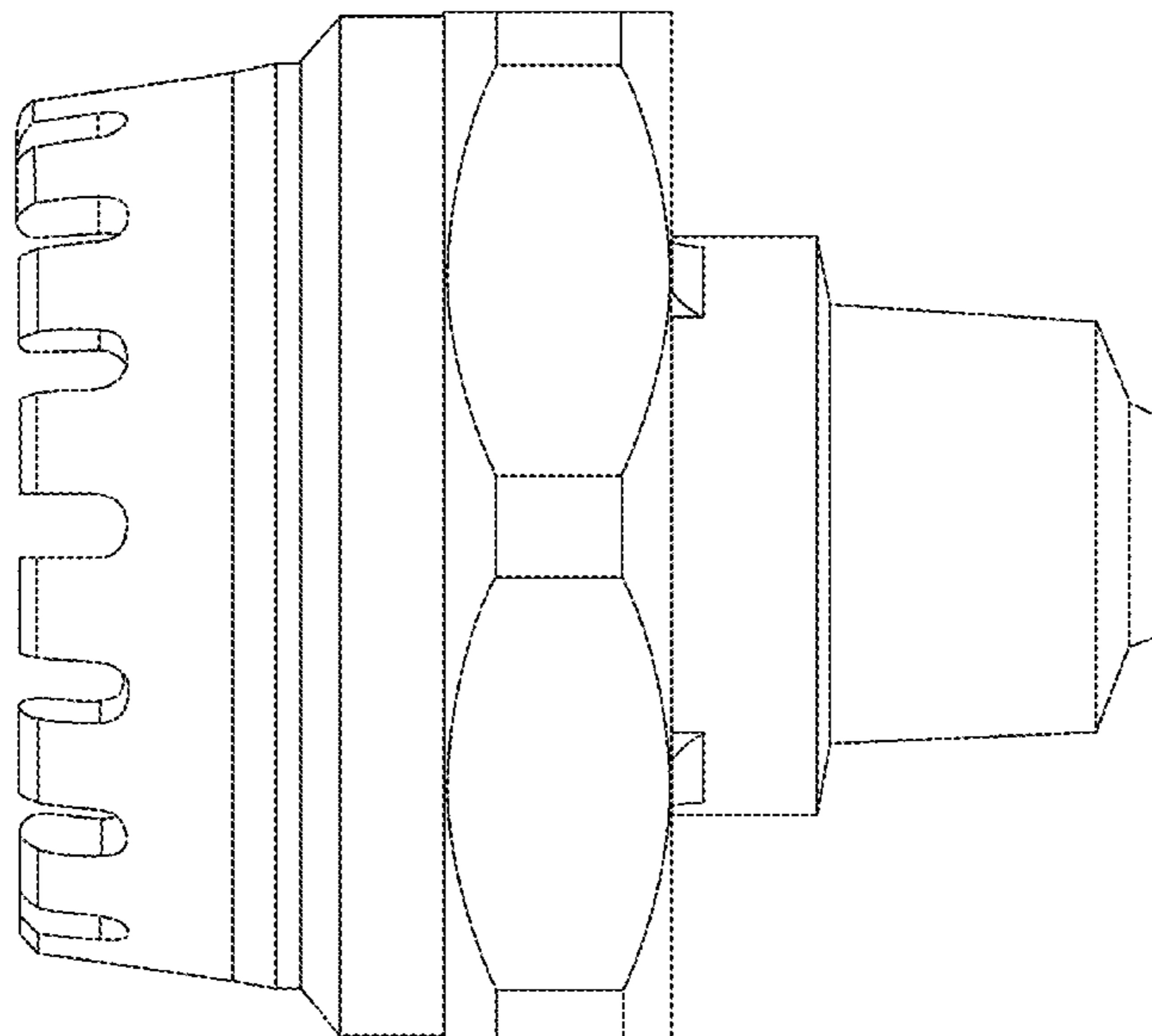
FIG. 4 is a front perspective view 2 for a shroud of an aspirating spray nozzle;

FIG. 5 is a rear perspective view for a shroud of an aspirating spray nozzle;

FIG. 6 is a front end view for a shroud of an aspirating spray nozzle; and,

FIG. 7 is a rear end view for a shroud of an aspirating spray nozzle.

1 Claim, 7 Drawing Sheets



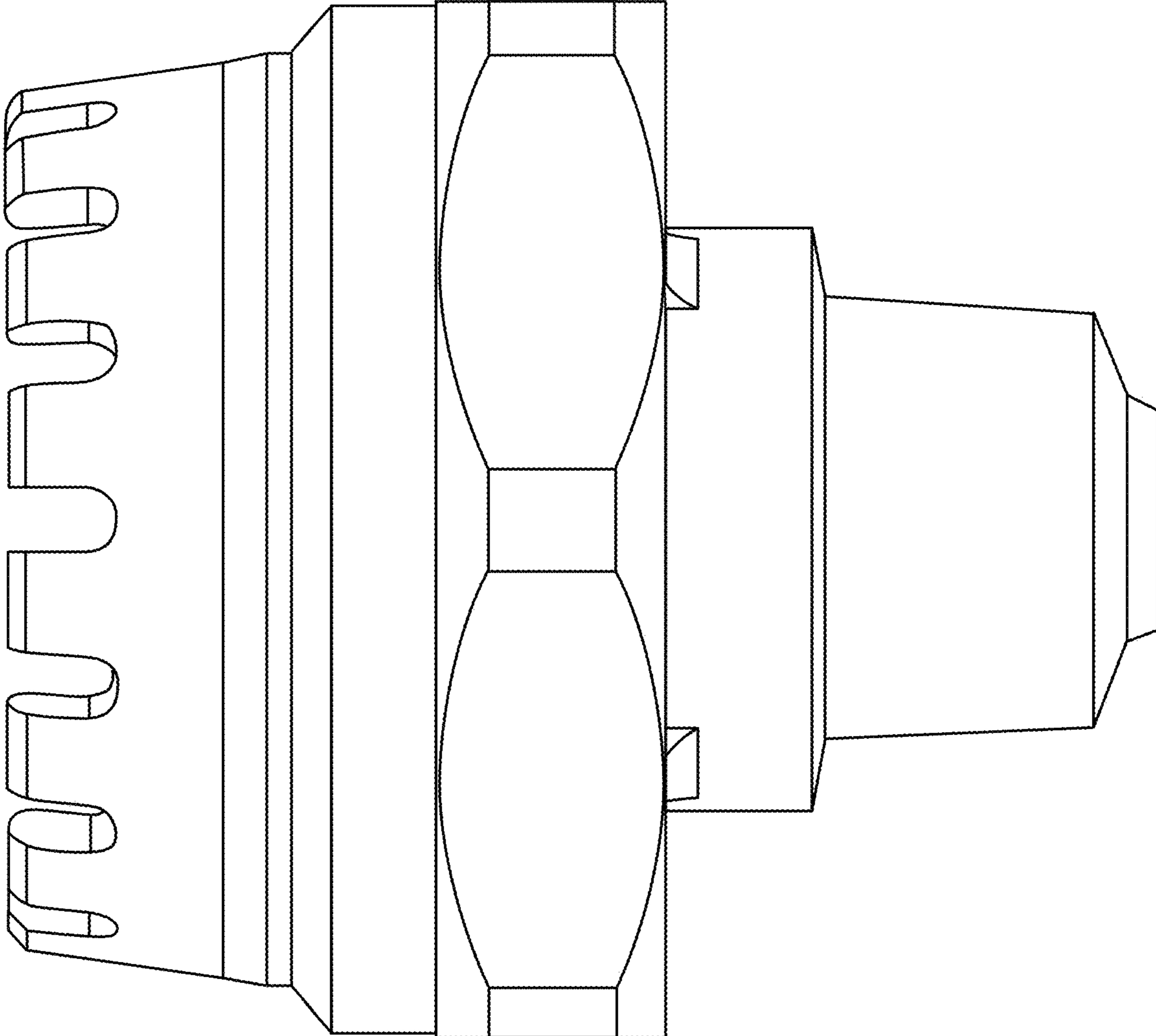


FIG. 1

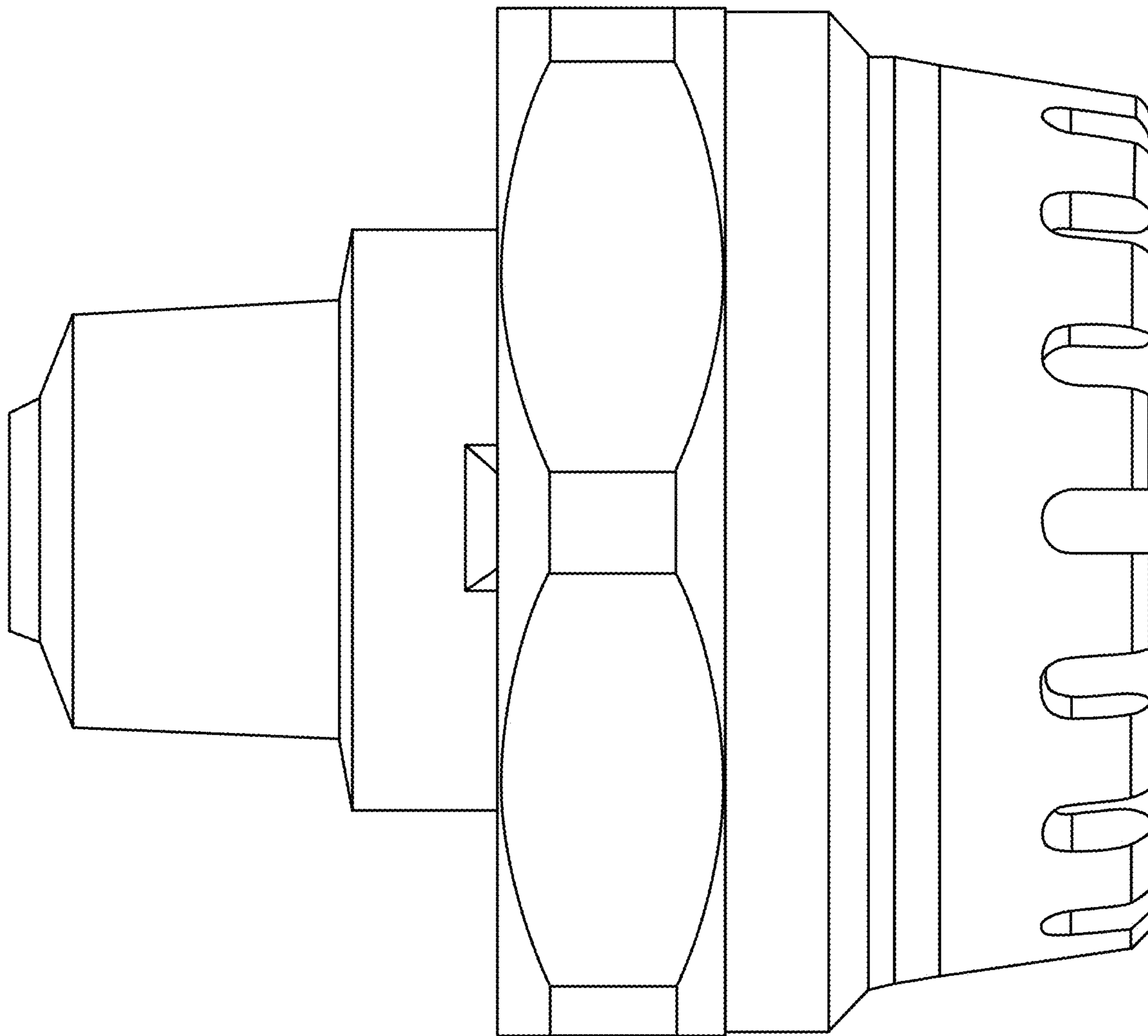


FIG. 2

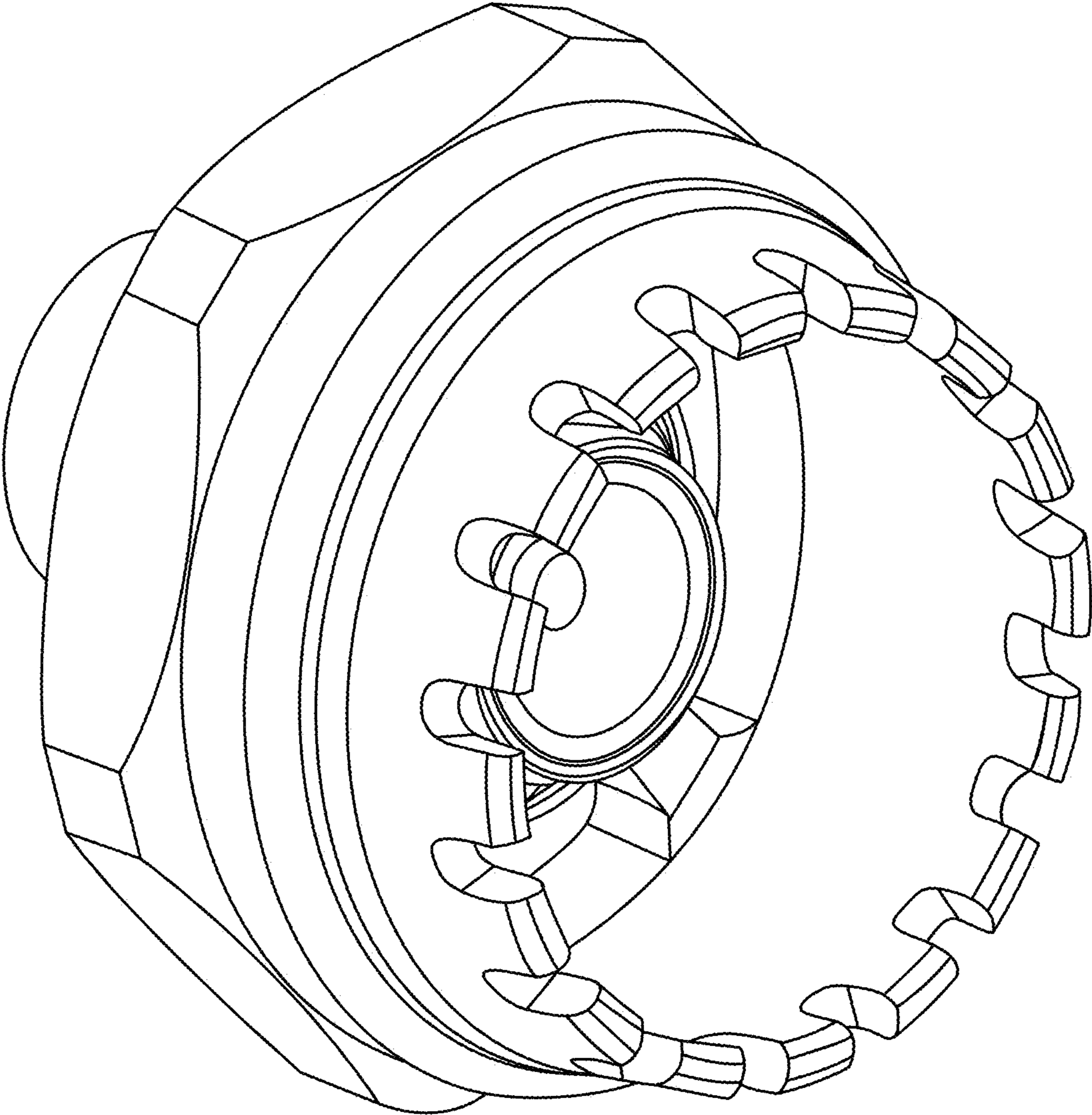


FIG. 3

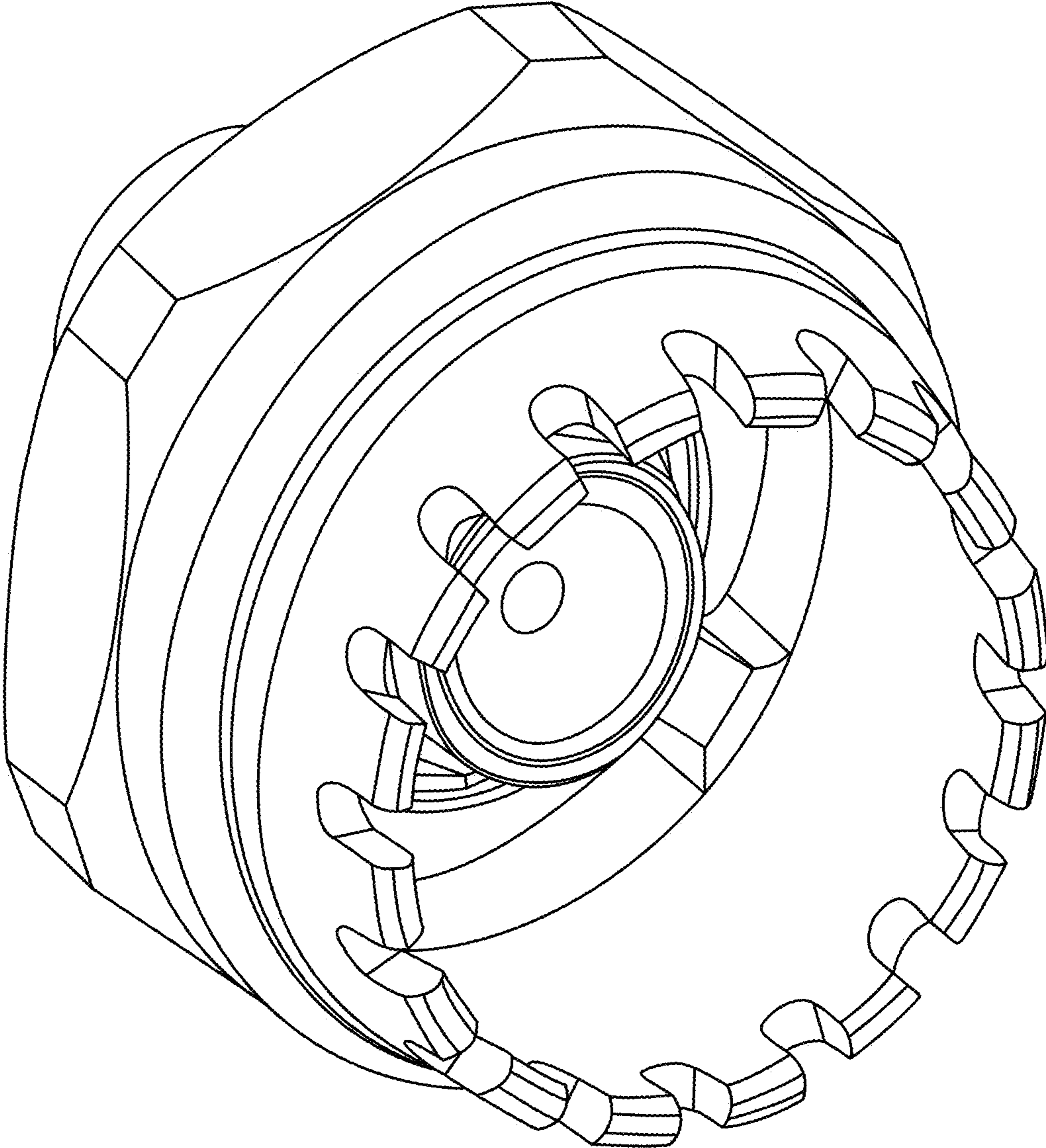


FIG. 4

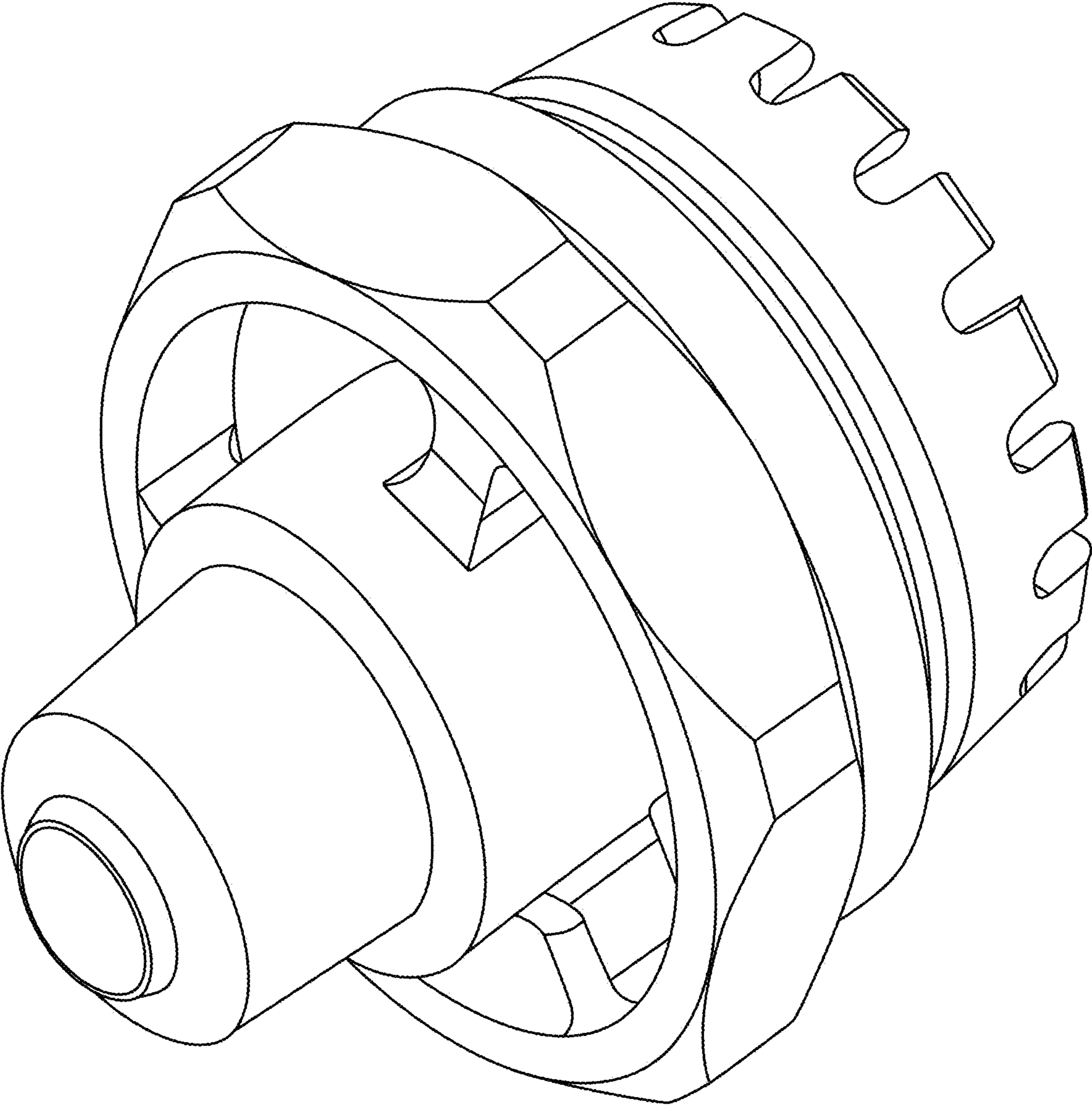


FIG. 5

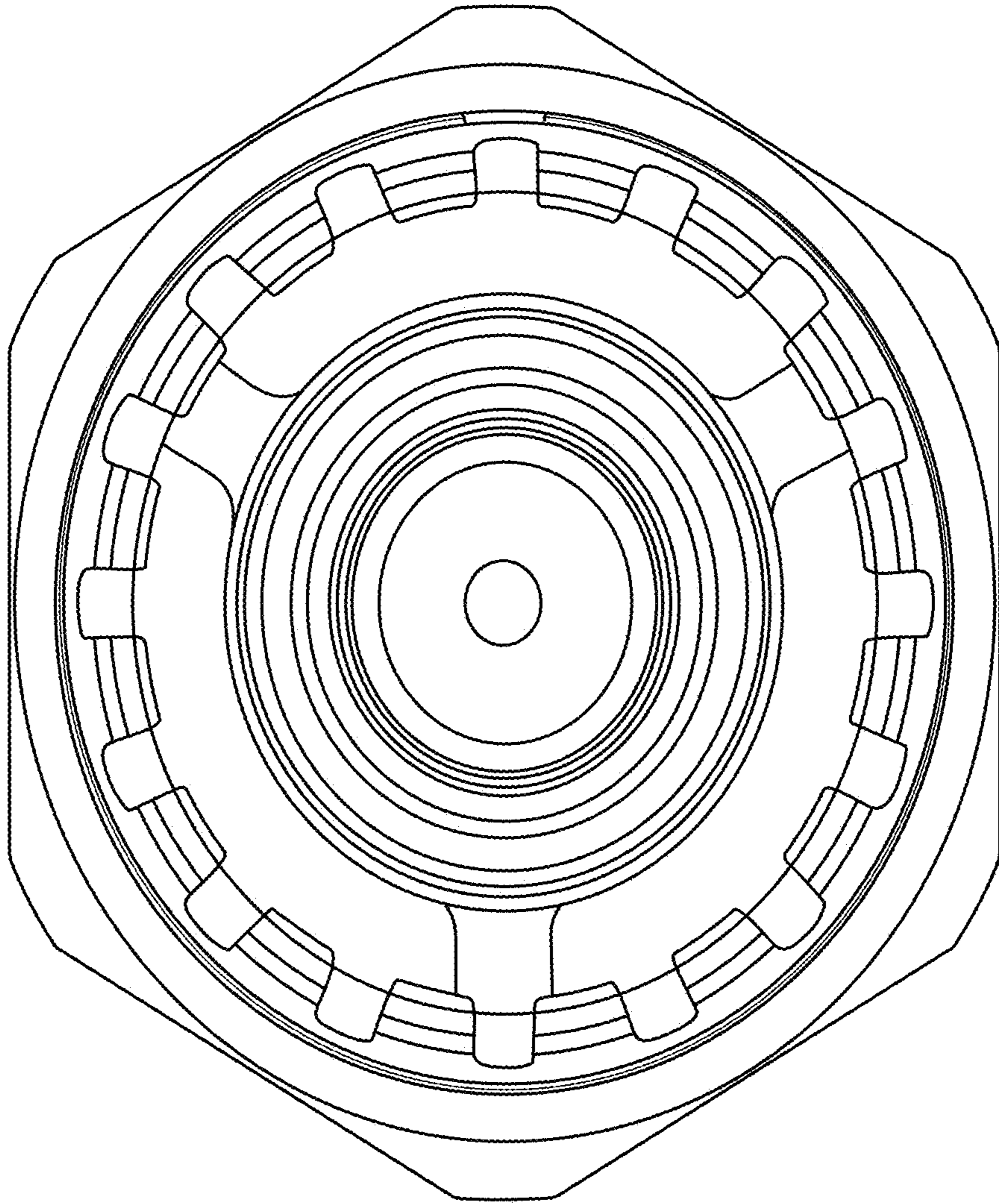


FIG. 6

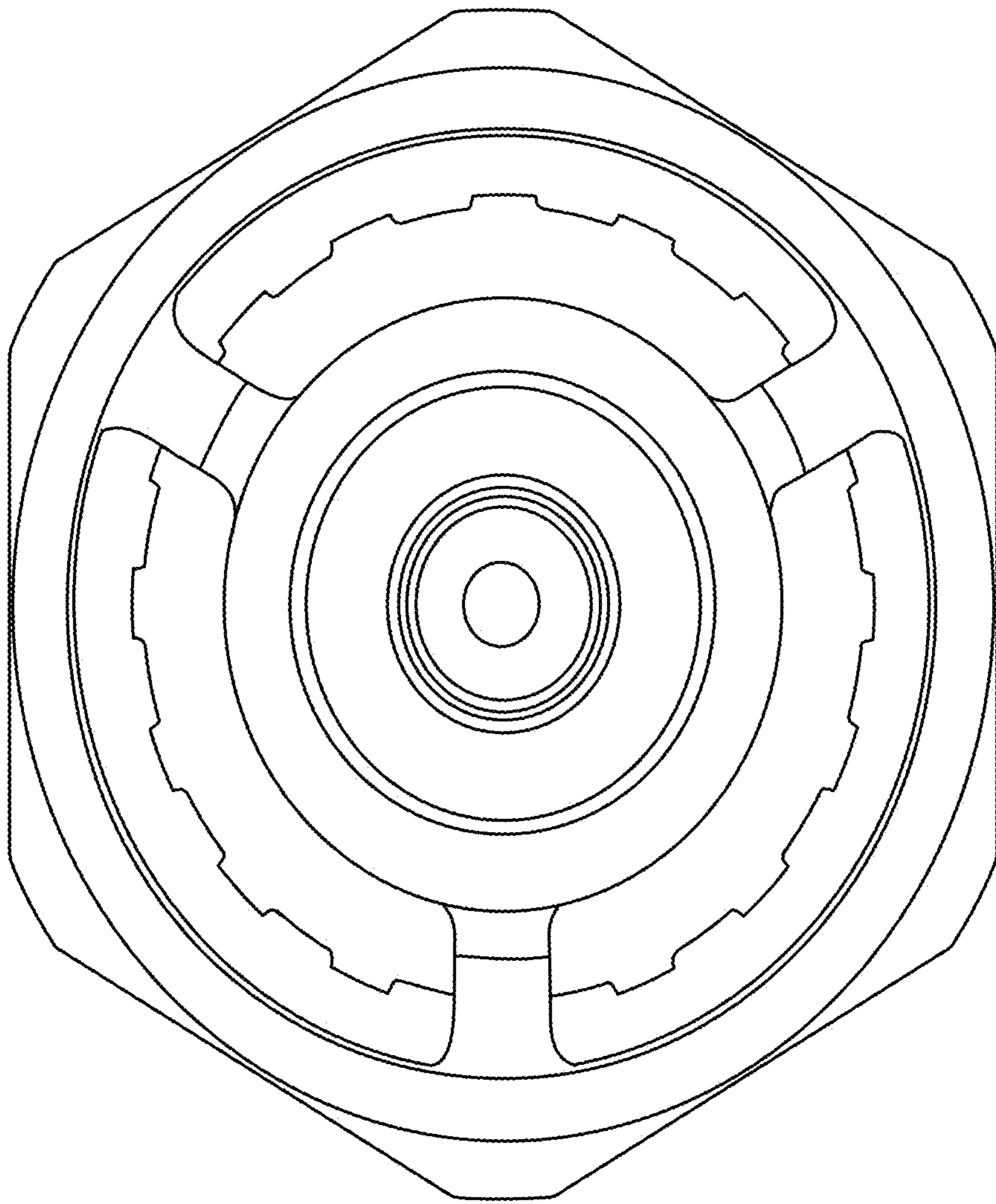


FIG. 7