



US00D973836S

(12) **United States Design Patent**  
**Chang**

(10) **Patent No.:** **US D973,836 S**

(45) **Date of Patent:** **\*\* Dec. 27, 2022**

- (54) **WATER PURIFIER**
- (71) Applicant: **YOUNGONE CORPORATION,**  
Incheon (KR)
- (72) Inventor: **Seouk Eun Chang,** Incheon (KR)
- (73) Assignee: **YOUNGONE CORPORATION,**  
Incheon (KR)
- (\*\*) Term: **15 Years**
- (21) Appl. No.: **29/782,851**
- (22) Filed: **May 10, 2021**

- D732,330 S \* 6/2015 Cha ..... D7/311
- D764,014 S \* 8/2016 Lin ..... D23/207
- D822,154 S \* 7/2018 Lee ..... D23/207
- D842,966 S \* 3/2019 Shin ..... D23/207
- D853,772 S \* 7/2019 Park ..... D7/307
- D888,485 S \* 6/2020 Kim ..... D23/209
- D891,845 S \* 8/2020 Rummel ..... D7/308
- D907,174 S \* 1/2021 Park ..... D23/207
- D926,285 S \* 7/2021 Park ..... D23/207
- D931,408 S \* 9/2021 Cho ..... D23/207
- D947,587 S \* 4/2022 Peng ..... D7/311
- D948,904 S \* 4/2022 Park ..... D7/311
- D950,293 S \* 5/2022 Braukmann ..... D7/311
- D951,390 S \* 5/2022 Shin ..... D23/207

(Continued)

(30) **Foreign Application Priority Data**

Nov. 25, 2020 (KR) ..... 30-2020-0057264

(51) **LOC (13) Cl.** ..... **23-01**

(52) **U.S. Cl.**  
USPC ..... **D23/207**

(58) **Field of Classification Search**  
USPC ..... D23/207, 208, 209, 355, 362, 363, 364,  
D23/365, 366; D7/306, 307, 311, 312  
CPC ..... B01D 27/00; B01D 27/08; B01D 35/306;  
B01D 35/34; B01D 61/08; B01D 21/081;  
B01D 2201/29; B01D 2201/291; B01D  
2201/4015; B01D 2221/02; C02F 1/003;  
C02F 9/005; C02F 2307/10

See application file for complete search history.

(56) **References Cited**

**U.S. PATENT DOCUMENTS**

- D669,154 S \* 10/2012 Choi ..... D23/207
- D692,523 S \* 10/2013 Saito ..... D23/207
- D718,413 S \* 11/2014 Choi ..... D7/311
- D718,414 S \* 11/2014 Lo ..... D7/311
- D723,315 S \* 3/2015 Wilder ..... D23/209
- D731,840 S \* 6/2015 Cha ..... D7/311

**OTHER PUBLICATIONS**

Aiberle Countertop Ultra-Filtration Water Filter, Apr. 14, 2021, Amazon, site visited Sep. 15, 2022: <https://www.amazon.com/dp/B092JCC7RK/> (Year: 2021).\*

(Continued)

*Primary Examiner* — Jack Reickel

*Assistant Examiner* — Bobby W Jones, II

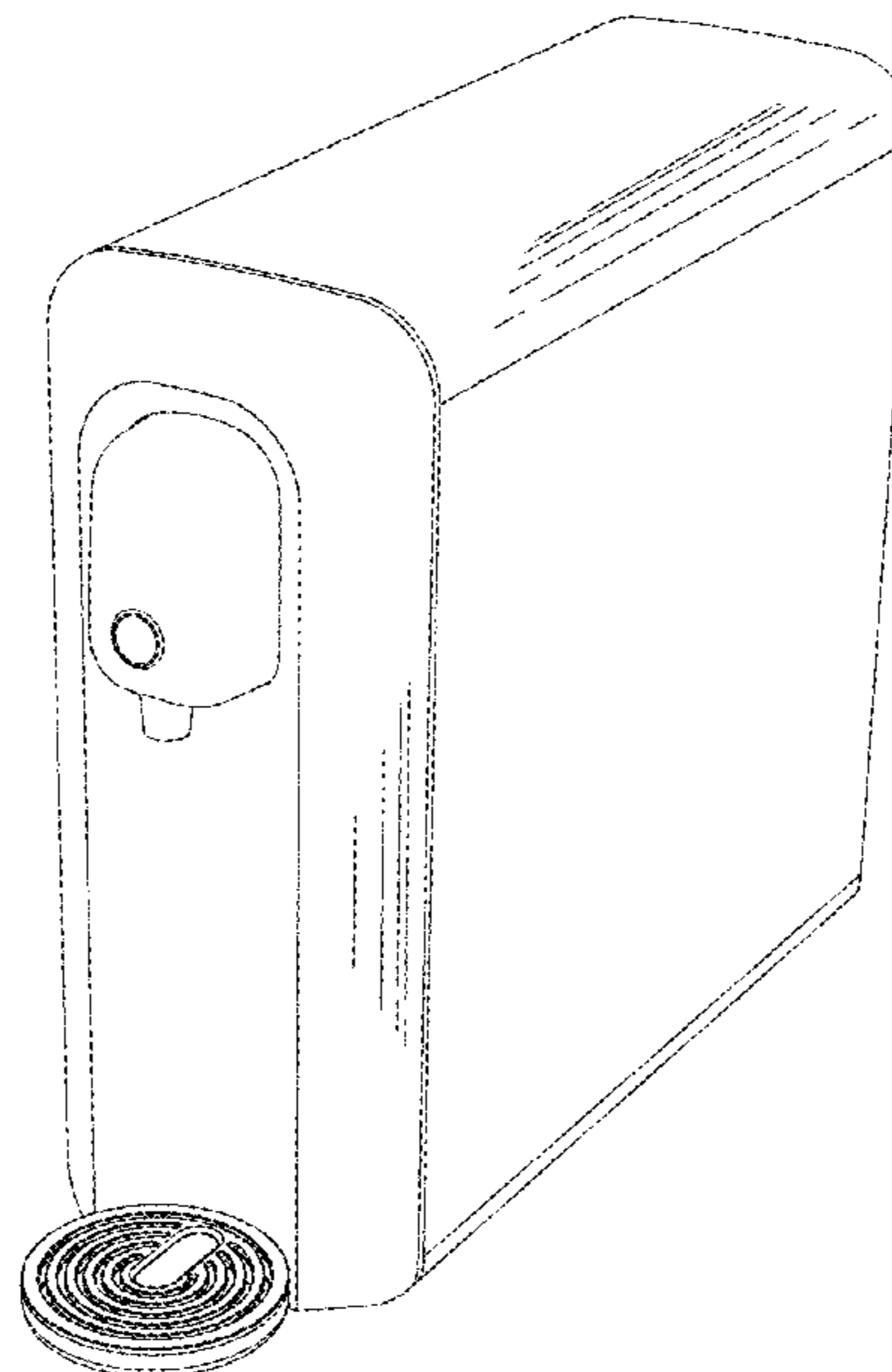
(57) **CLAIM**

The ornamental design for a water purifier, as shown and described.

**DESCRIPTION**

FIG. 1 is a perspective view of a water purifier according to the present invention;  
FIG. 2 is a front view of the water purifier of FIG. 1;  
FIG. 3 is a rear view of the water purifier of FIG. 1;  
FIG. 4 is a left side view of the water purifier of FIG. 1;  
FIG. 5 is a right side view of the water purifier of FIG. 1;  
FIG. 6 is top plan view of the water purifier of FIG. 1; and,  
FIG. 7 is a bottom plan view of the water purifier of FIG. 1.

**1 Claim, 7 Drawing Sheets**



(56)

**References Cited**

U.S. PATENT DOCUMENTS

2005/0279689 A1\* 12/2005 Oranski ..... B67D 1/0895  
210/232  
2007/0045165 A1\* 3/2007 Beall ..... B01D 61/12  
210/85  
2019/0389740 A1\* 12/2019 Choi ..... B01D 35/30  
2020/0031651 A1\* 1/2020 Schneidewend ..... A47J 31/461  
2021/0017009 A1\* 1/2021 Jung ..... C02F 1/00  
2022/0204361 A1\* 6/2022 Han ..... B67D 1/0895

OTHER PUBLICATIONS

Brondell H630, Aug. 8, 2013, Amazon, site visited Sep. 15, 2022:  
<https://www.amazon.com/dp/B00EEDJSES/> (Year: 2013).\*

\* cited by examiner

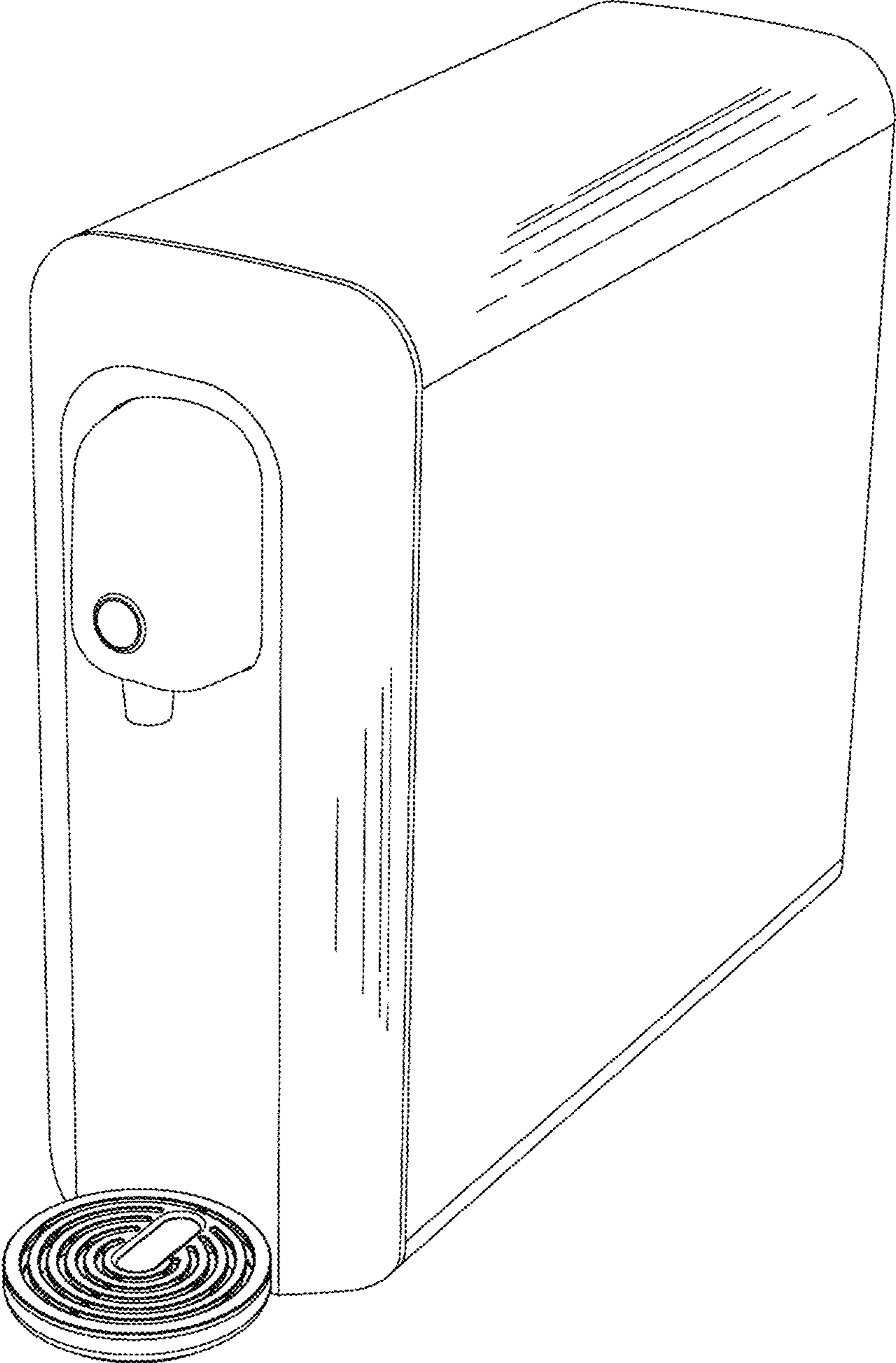


Fig. 1

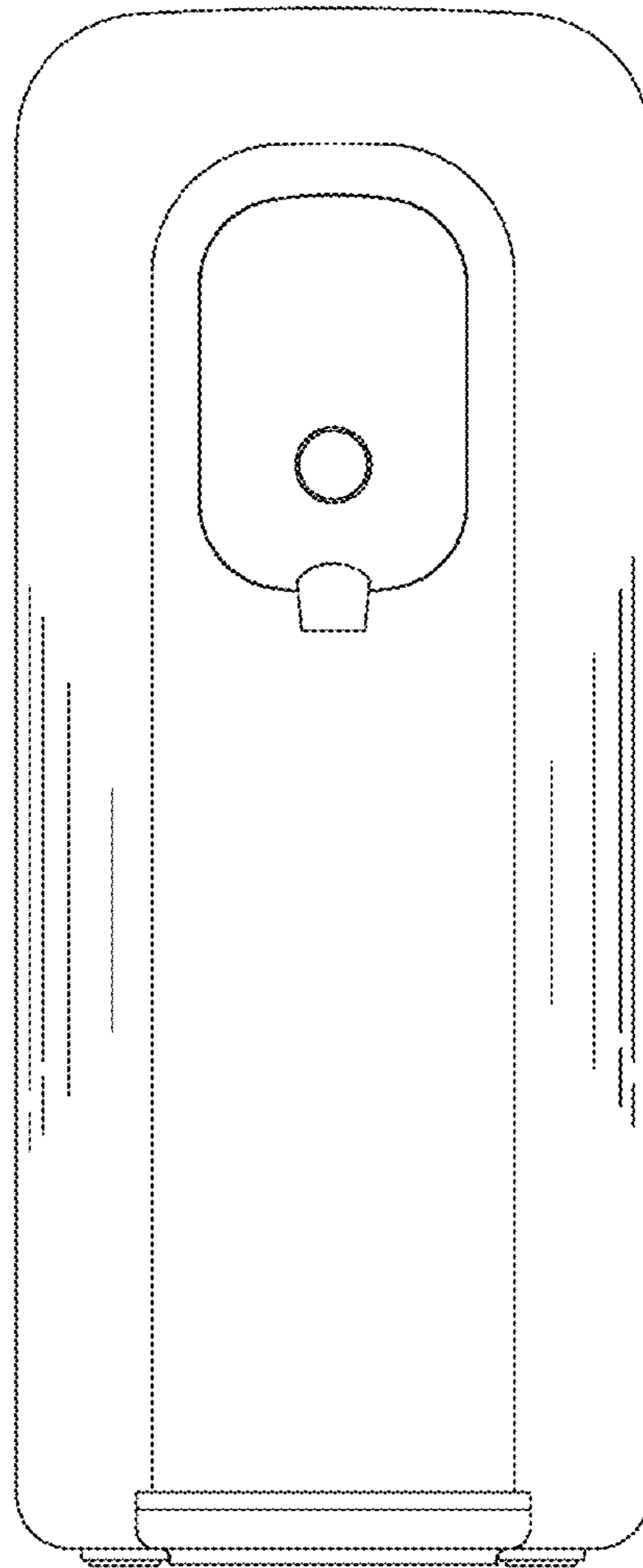


Fig. 2

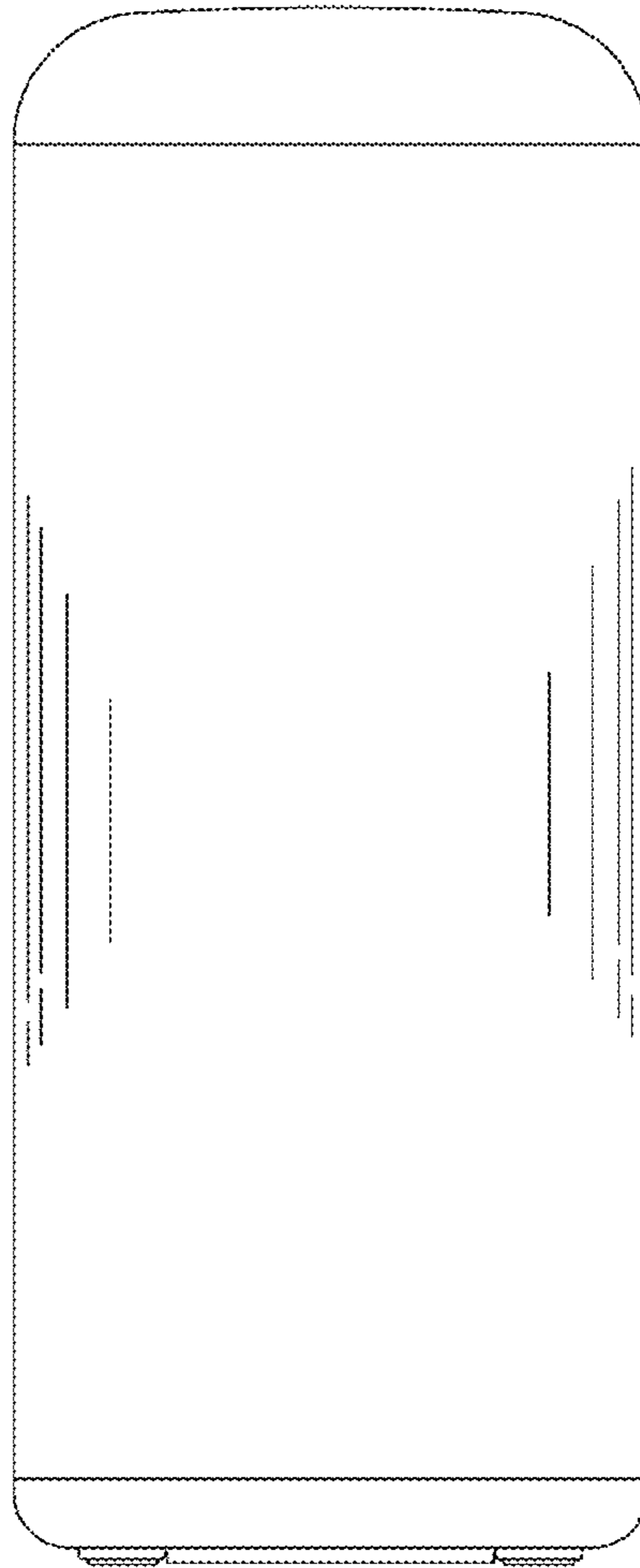


Fig. 3

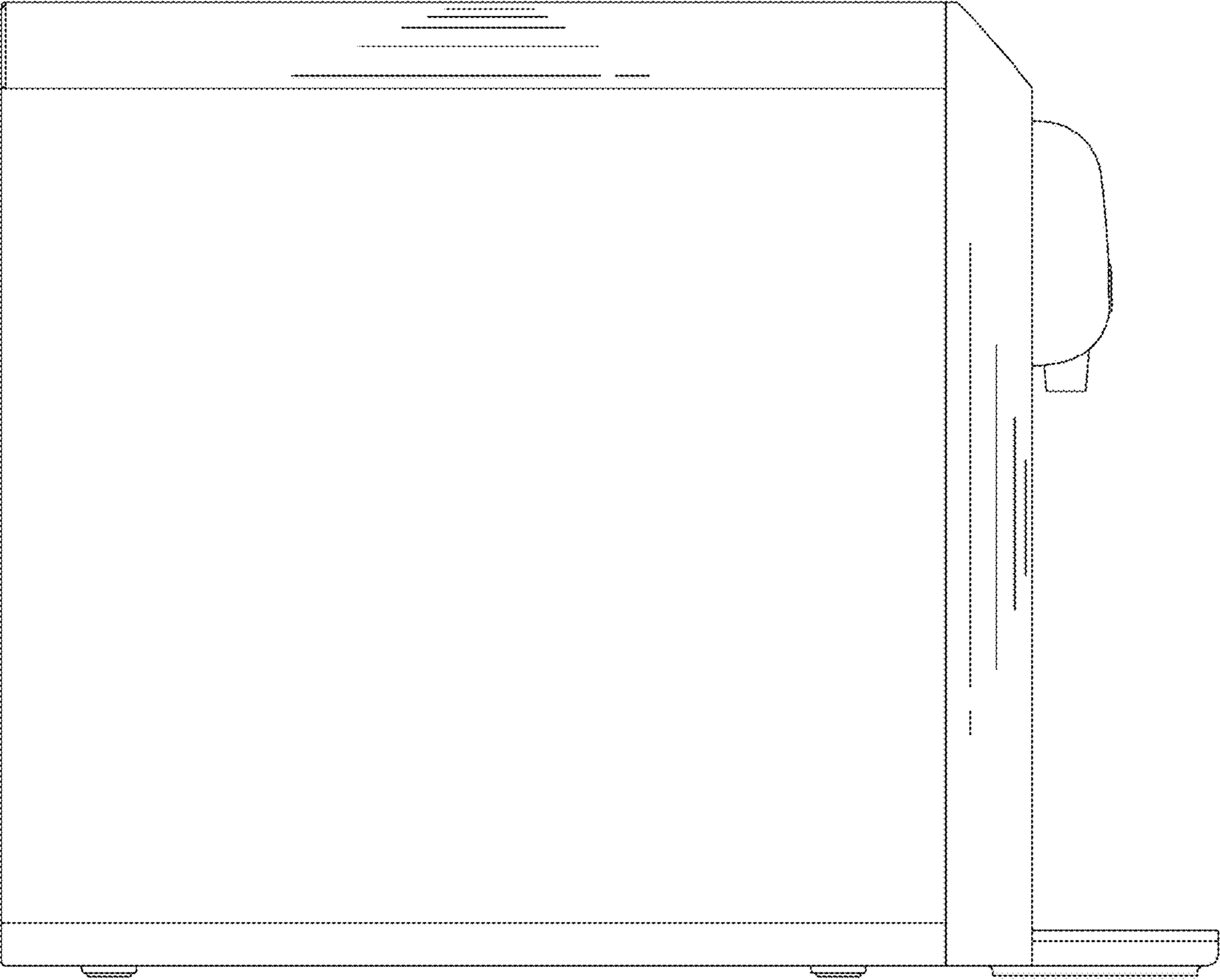


Fig. 4

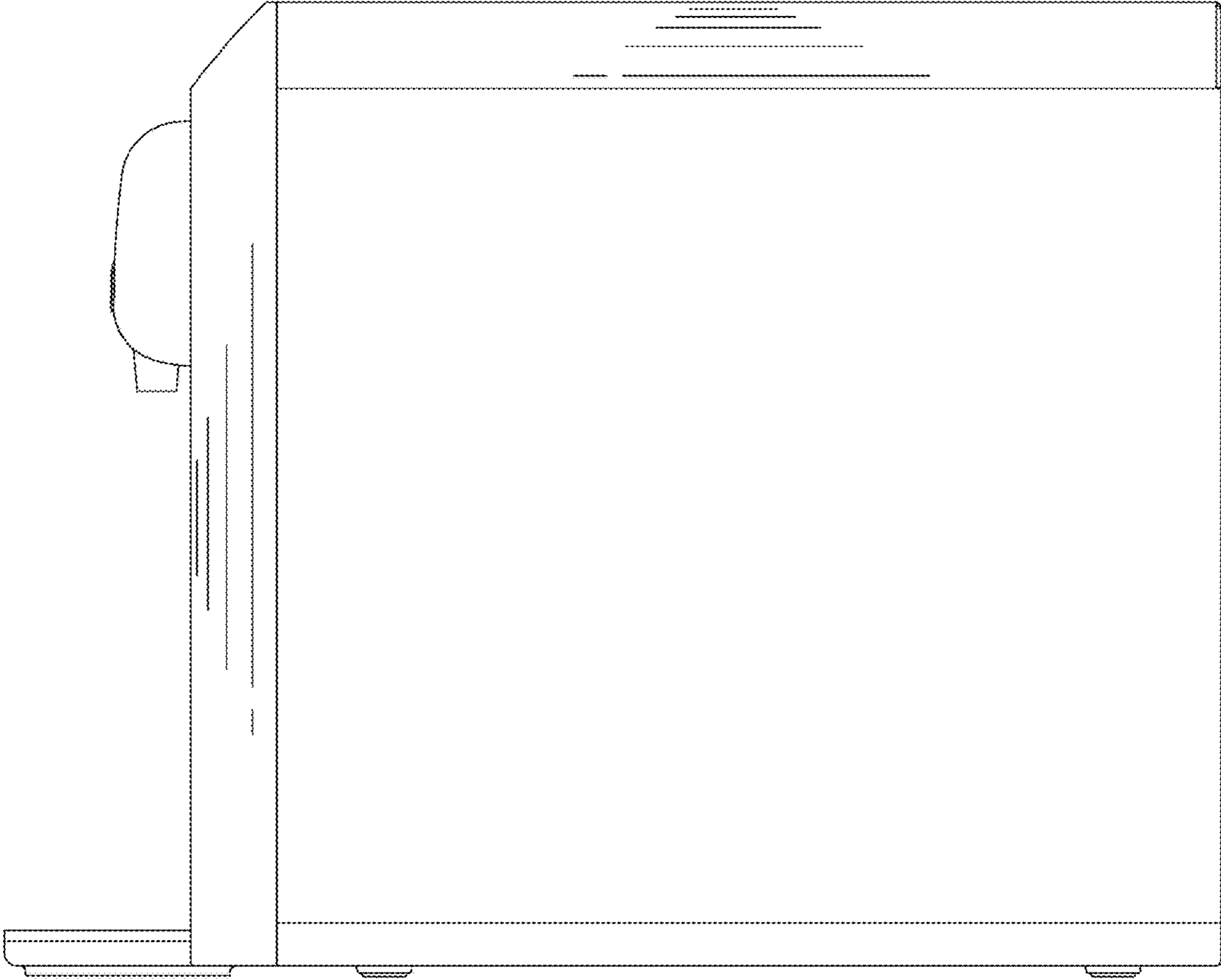


Fig. 5

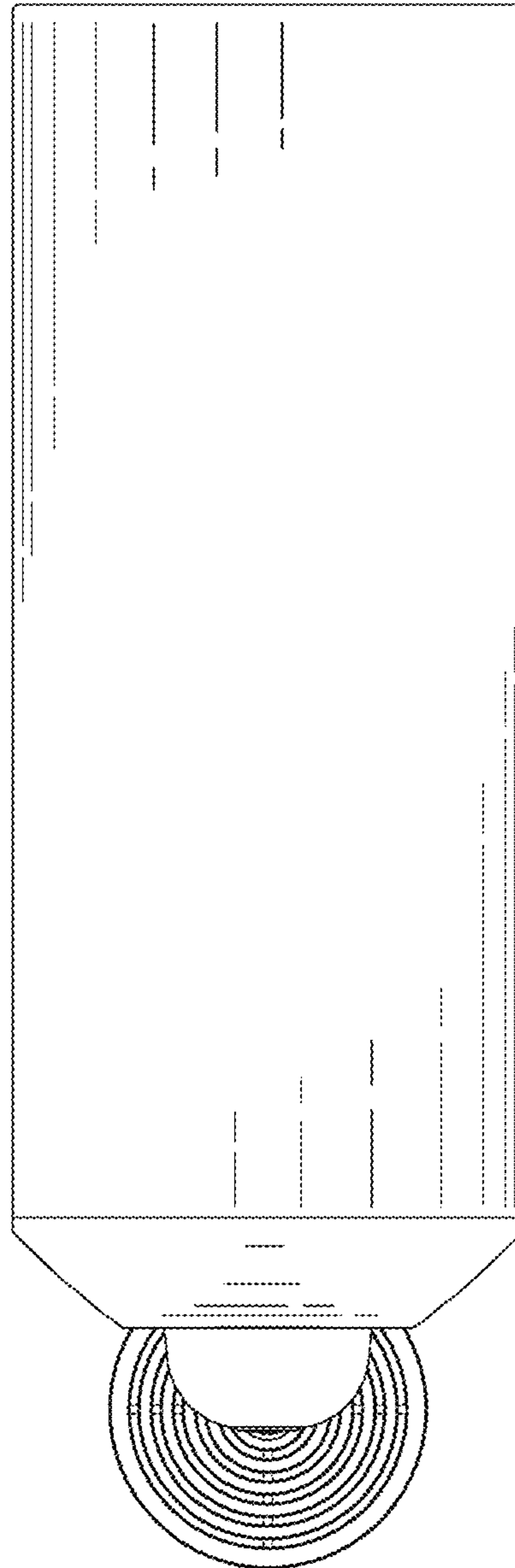


Fig. 6



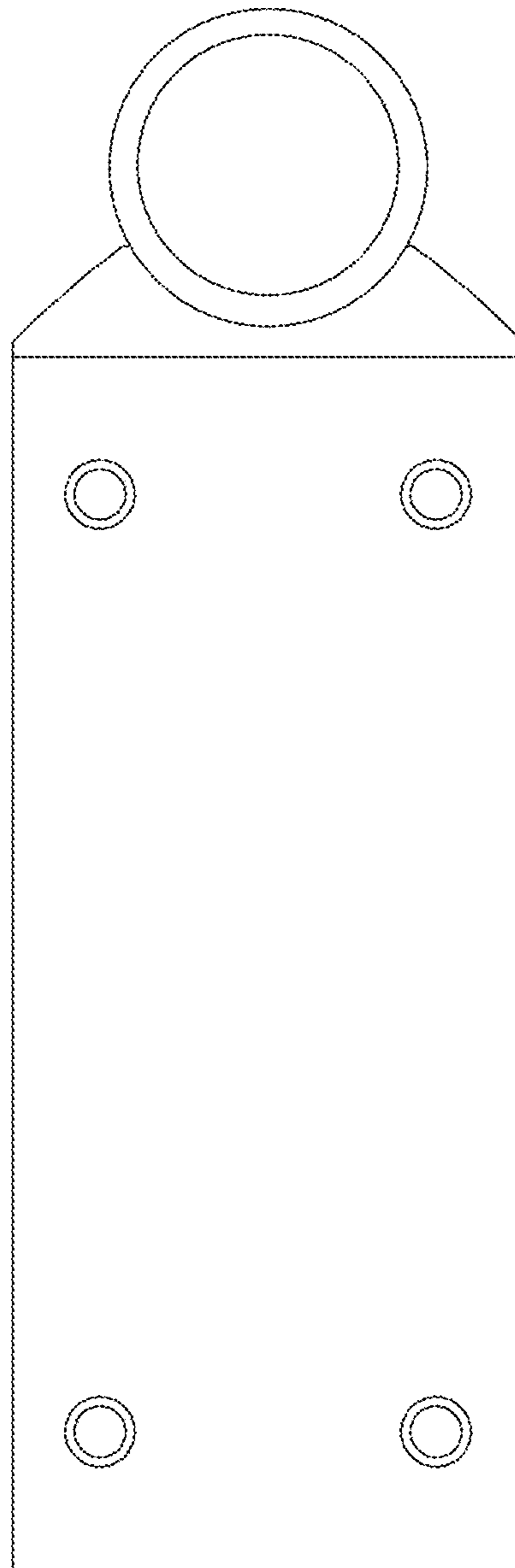


Fig. 7