



US00D973835S

(12) **United States Design Patent** (10) **Patent No.:** **US D973,835 S**
Seo (45) **Date of Patent:** **** Dec. 27, 2022**

(54) **WATER PURIFIER**
(71) Applicant: **COWAY CO., LTD.**,
Choongcheongnam-do (KR)
(72) Inventor: **Bo Seong Seo**, Seoul (KR)
(73) Assignee: **COWAY CO., LTD.**, Ongnam-Do (KR)
(**) Term: **15 Years**

D853,772 S * 7/2019 Park D7/307
D881,624 S * 4/2020 Rubin D7/307
D891,846 S * 8/2020 Bignu D7/311
D893,236 S * 8/2020 Broen D7/397
D939,875 S * 1/2022 Rubin D7/311
D951,390 S * 5/2022 Shin D23/207
2017/0280921 A1* 10/2017 Jung A47J 31/407
2017/0327388 A1* 11/2017 Kim C02F 1/325
2018/0056217 A1* 3/2018 Park B01F 23/234211
(Continued)

(21) Appl. No.: **29/725,801**
(22) Filed: **Feb. 27, 2020**
(30) **Foreign Application Priority Data**

Aug. 30, 2019 (KR) 30-2019-0041874

(51) **LOC (13) Cl.** **23-01**
(52) **U.S. Cl.**
USPC **D23/207**
(58) **Field of Classification Search**
USPC D23/23, 200, 202, 207, 208, 209, 210,
D23/365; D24/162; D7/306, 307, 311
CPC C02F 1/003; C02F 9/005; C02F 2201/006;
C02F 2201/007; C02F 2307/10
See application file for complete search history.

(56) **References Cited**

U.S. PATENT DOCUMENTS

D595,991 S * 7/2009 Zimmerman D7/307
D610,389 S * 2/2010 Borin D7/311
D692,523 S * 10/2013 Saito D23/207
D697,356 S * 1/2014 Choi D7/307
D717,091 S * 11/2014 Suzuki D7/311
D732,331 S * 6/2015 Tomasson D7/311
D764,014 S * 8/2016 Lin D23/207
D773,227 S * 12/2016 Kuboi D7/307
D791,270 S * 7/2017 Wei D23/207
D807,472 S * 1/2018 Peralta D23/207
D825,243 S * 8/2018 Yoon D7/307
D842,966 S * 3/2019 Shin D23/207

OTHER PUBLICATIONS

Brio Countertop Bottleless Water Cooler, Nov. 21, 2019, Amazon,
site visited Jun. 13, 2022: <https://www.amazon.com/dp/B081TK94JH/> (Year: 2019).*

(Continued)

Primary Examiner — Jack Reickel
Assistant Examiner — Bobby W Jones, II
(74) *Attorney, Agent, or Firm* — Millen, White, Zelano &
Branigan, P.C.; William Nixon

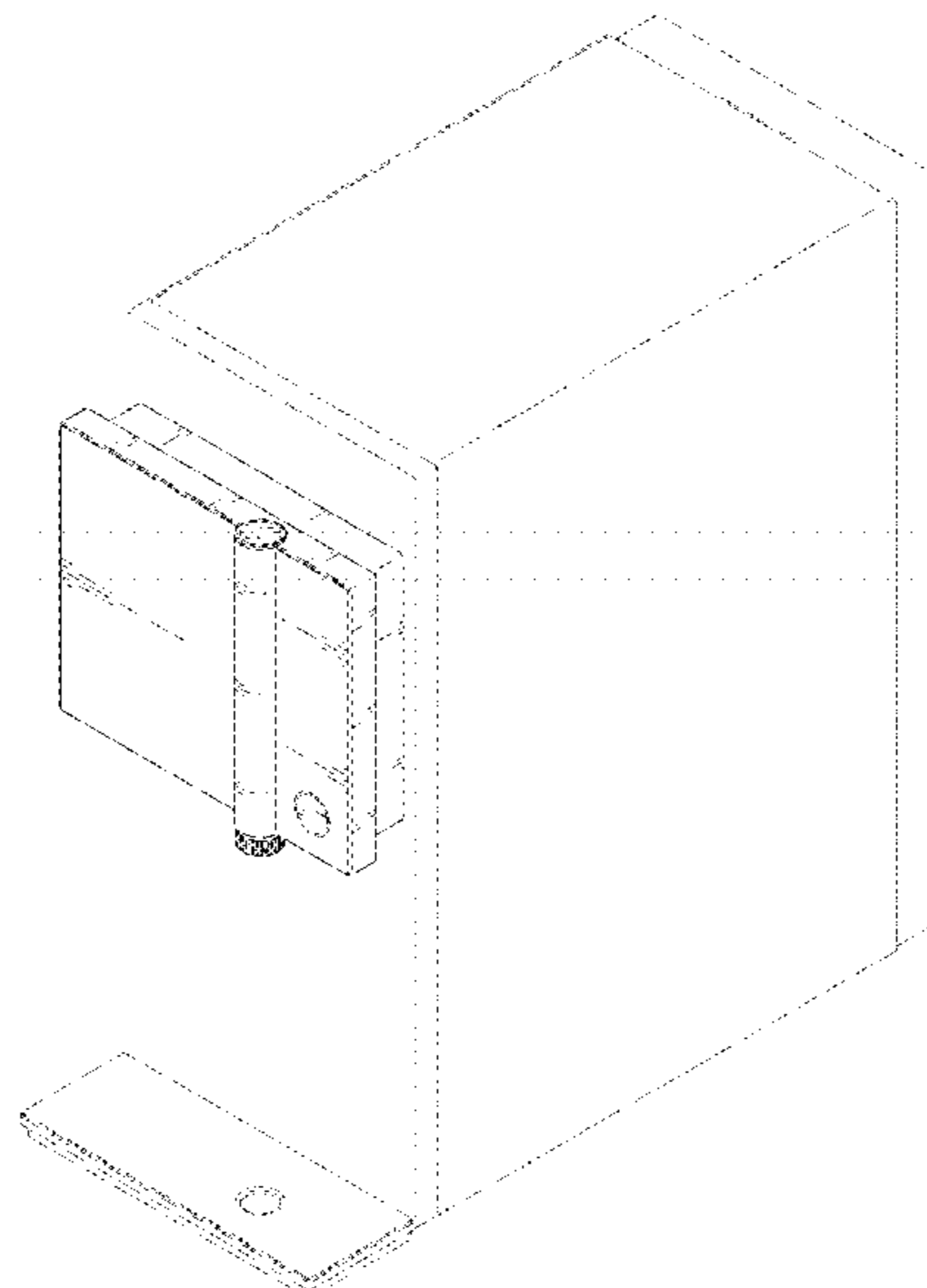
(57) **CLAIM**

The ornamental design for a water purifier, as shown and
described.

DESCRIPTION

FIG. 1 illustrates a front perspective view of a water purifier
showing my new design;
FIG. 2 illustrates a front elevational view thereof;
FIG. 3 illustrates a rear elevational view thereof;
FIG. 4 illustrates a left side elevational view thereof;
FIG. 5 illustrates a right side elevational view thereof;
FIG. 6 illustrates a top plan view thereof; and,
FIG. 7 illustrates a bottom plan view thereof.
The broken lines showing of a water purifier is included for
the purpose of illustrating portions of the article and form no
part of the claimed design.

1 Claim, 7 Drawing Sheets



(56)

References Cited

U.S. PATENT DOCUMENTS

2018/0194608 A1* 7/2018 Jeon B67D 1/0888
2020/0031651 A1* 1/2020 Schneidewend A47J 31/407
2021/0017009 A1* 1/2021 Jung C02F 1/00
2021/0130198 A1* 5/2021 Lee B01J 20/3441

OTHER PUBLICATIONS

Avalon A9 Countertop Bottleless Cooler, Aug. 8, 2019, Amazon,
site visited Jun. 13, 2022: [https://www.amazon.com/dp/
B08FVHJCPN/](https://www.amazon.com/dp/B08FVHJCPN/) (Year: 2019).*

* cited by examiner

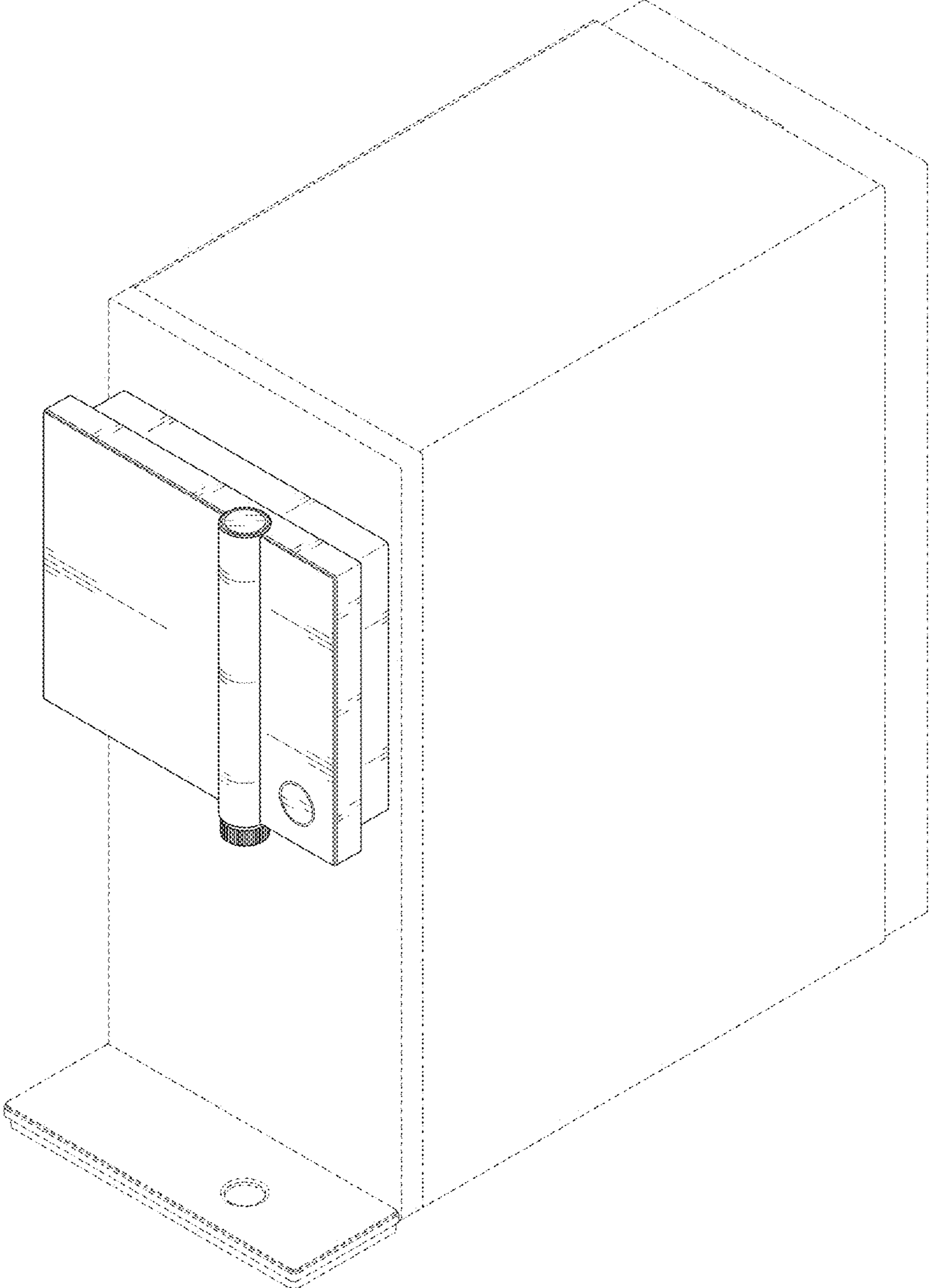


FIG. 1

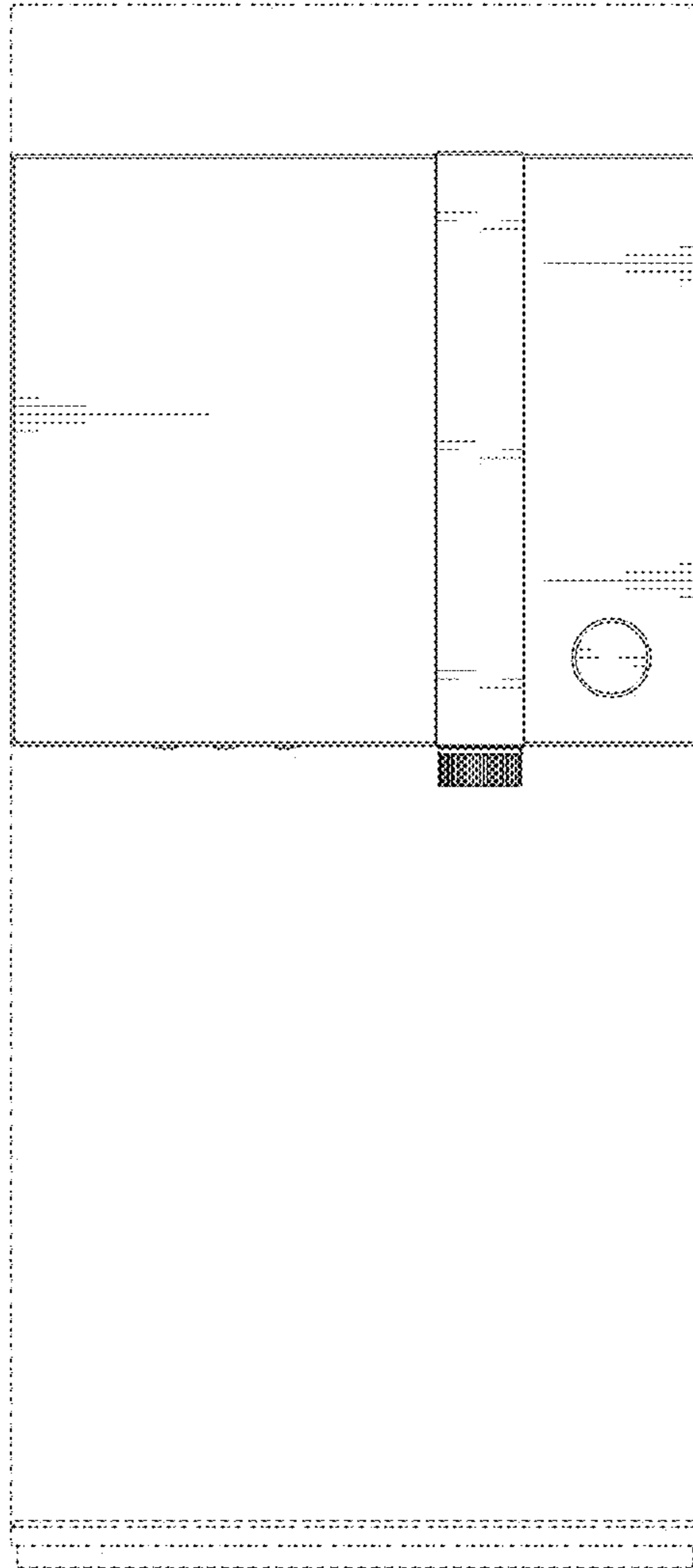


FIG. 2

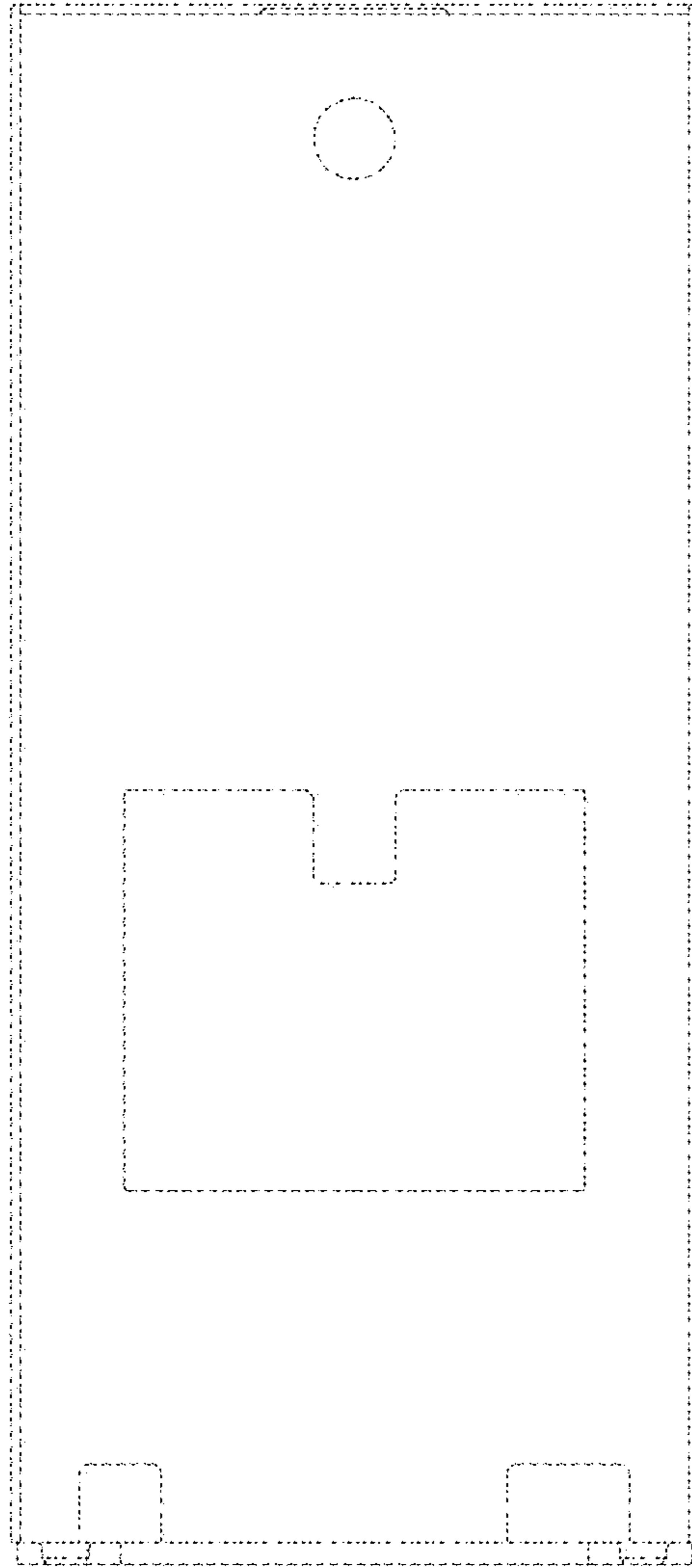


FIG. 3

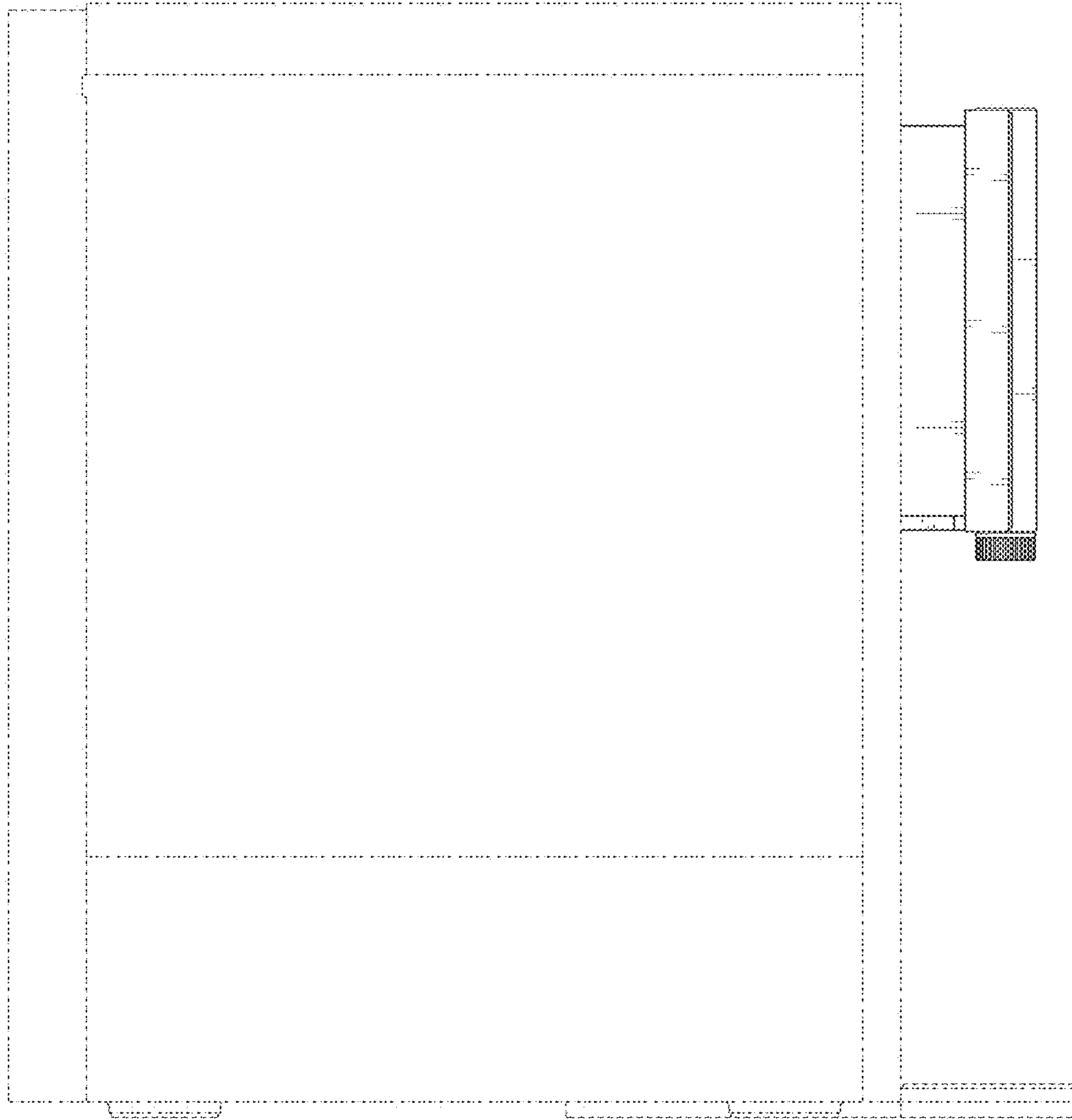


FIG. 4

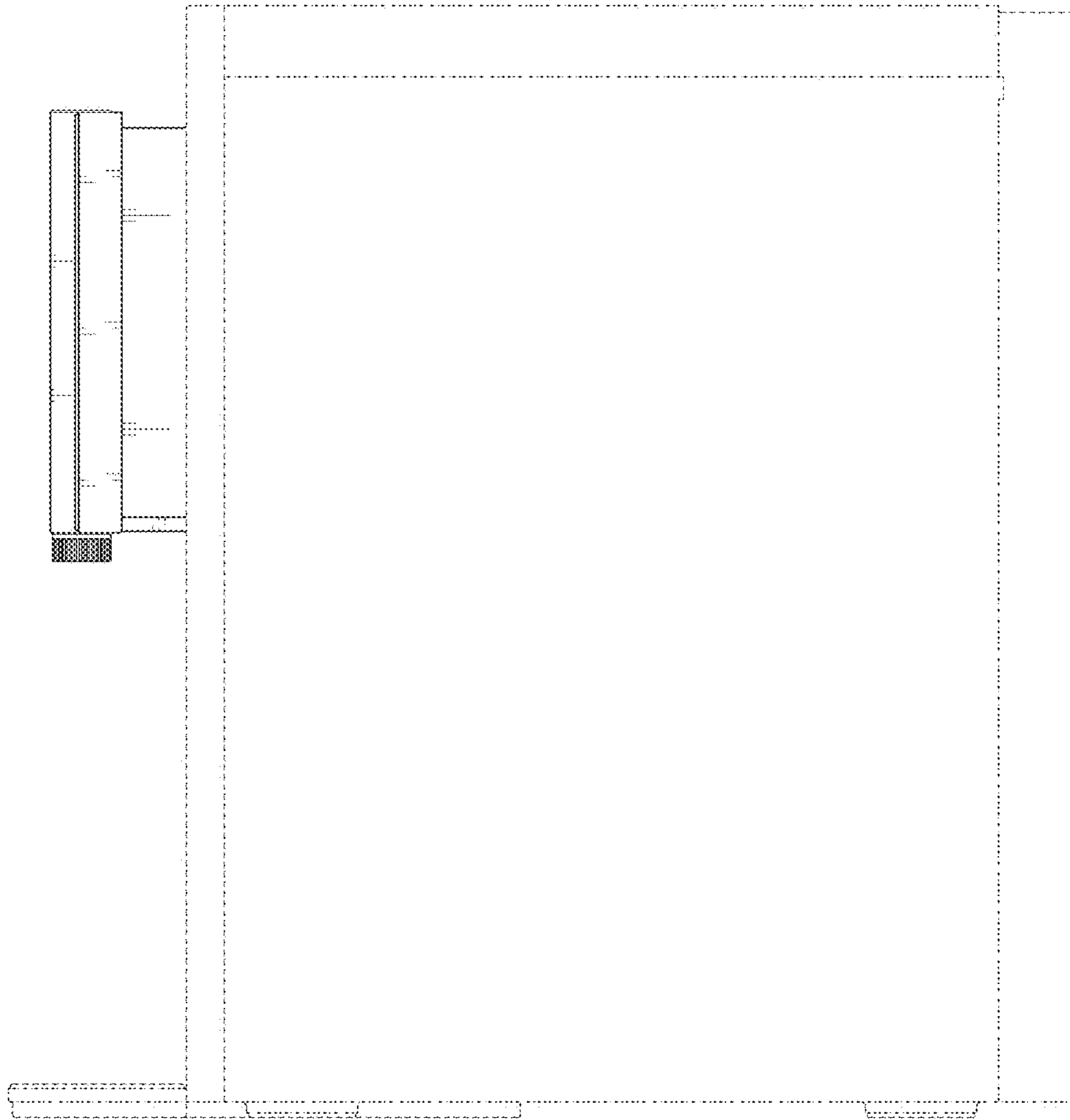


FIG. 5

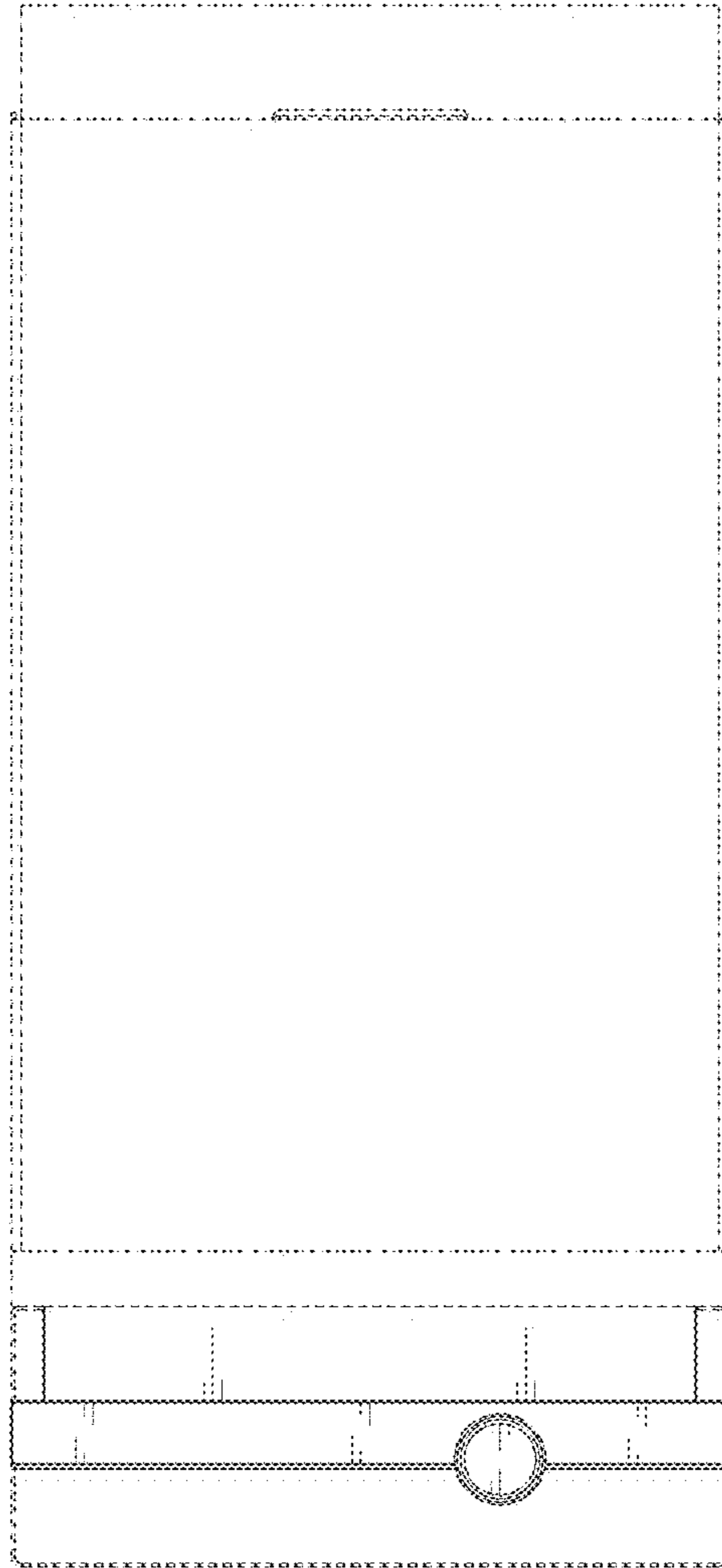


FIG. 6

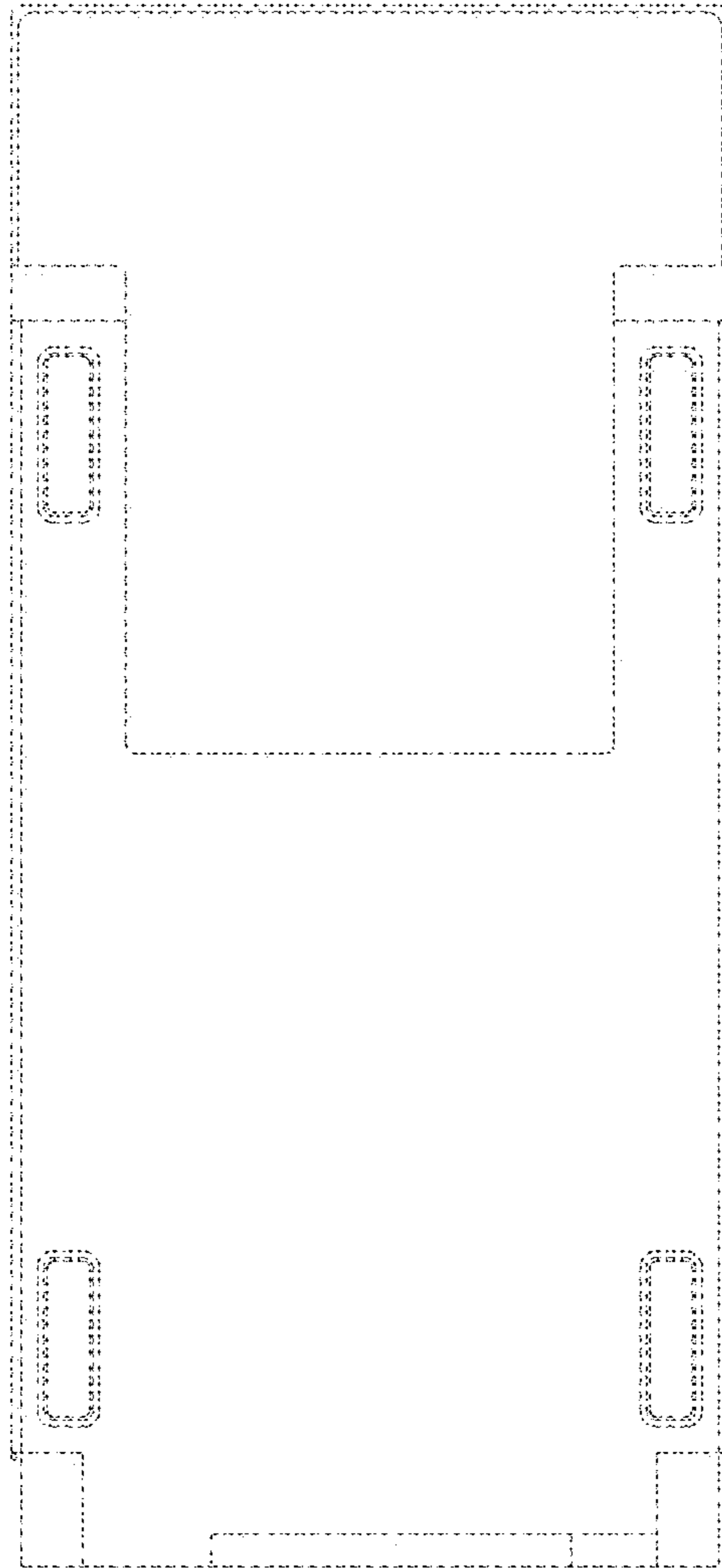


FIG. 7

UNITED STATES PATENT AND TRADEMARK OFFICE
CERTIFICATE OF CORRECTION


PATENT NO. : D973,835 S
APPLICATION NO. : 29/725801
DATED : December 27, 2022
INVENTOR(S) : Bo Seong Seo

Page 1 of 1

It is certified that error appears in the above-identified patent and that said Letters Patent is hereby corrected as shown below:

On the Title Page

Item (73), delete "Ongnam-Do", and insert --Choongcheongnam-do--.

Signed and Sealed this
Sixteenth Day of May, 2023

Katherine Kelly Vidal
Director of the United States Patent and Trademark Office