



US00D973834S

(12) **United States Design Patent**  
**Van Den Heijkant**

(10) **Patent No.:** **US D973,834 S**  
(45) **Date of Patent:** **\*\* Dec. 27, 2022**

(54) **DOSING SYSTEM FOR A WASTEWATER  
MANAGEMENT SYSTEM OF A  
RECREATIONAL VEHICLE**

D379,045 S *	5/1997	Andrus .....	D6/544
D412,550 S *	8/1999	Bell .....	D23/207
D482,100 S *	11/2003	Foy .....	D23/207
D545,394 S *	6/2007	Duplessis .....	C02F 9/005
			D23/207
D742,137 S *	11/2015	Criswell .....	D6/544
D784,726 S *	4/2017	Boyd .....	D6/544
D789,113 S *	6/2017	Levy .....	D6/544
D880,654 S *	4/2020	Sheng .....	D23/209
2009/0236276 A1 *	9/2009	Kurth .....	C02F 9/005
			210/232

(71) Applicant: **THETFORD BV**, Etten-Leur (NL)

(72) Inventor: **Ruud Van Den Heijkant**, Teteringen (NL)

(73) Assignee: **Thetford BV**, Etten-Leur (NL)

(\*\*) Term: **15 Years**

(21) Appl. No.: **29/684,583**

(22) Filed: **Mar. 22, 2019**

(51) **LOC (13) Cl.** ..... **23-01**

(52) **U.S. Cl.**  
USPC ..... **D23/207**

(58) **Field of Classification Search**  
USPC ..... D23/200, 202, 207-210; D6/512, 542,  
D6/544; D7/306-308, 592, 601.1; D8/1,  
D8/391, 448  
CPC ..... B01D 5/006; B01D 35/30; C02F 1/002;  
C02F 1/003; B09C 2101/00; G08B 21/20;  
B23H 3/04  
See application file for complete search history.

(56) **References Cited**

**U.S. PATENT DOCUMENTS**

D258,329 S *	2/1981	Chase .....	D6/544
D298,292 S *	11/1988	Townes .....	D23/239
D339,404 S *	9/1993	Dir .....	D23/208
D342,776 S *	12/1993	Bally .....	D23/207
D366,093 S *	1/1996	Baker .....	D23/208

\* cited by examiner

*Primary Examiner* — Calvin E Vansant

(74) *Attorney, Agent, or Firm* — Harness, Dickey & Pierce, P.L.C.; Stephen T. Olson

(57) **CLAIM**

The ornamental design for a dosing system for a wastewater management system of a recreational vehicle, as shown and described.

**DESCRIPTION**

FIG. 1 is a perspective view of a dosing system for a wastewater management system of a recreational vehicle in accordance with my design.

FIG. 2 is a front view thereof.

FIG. 3 is a rear view thereof.

FIG. 4 is a right side view thereof.

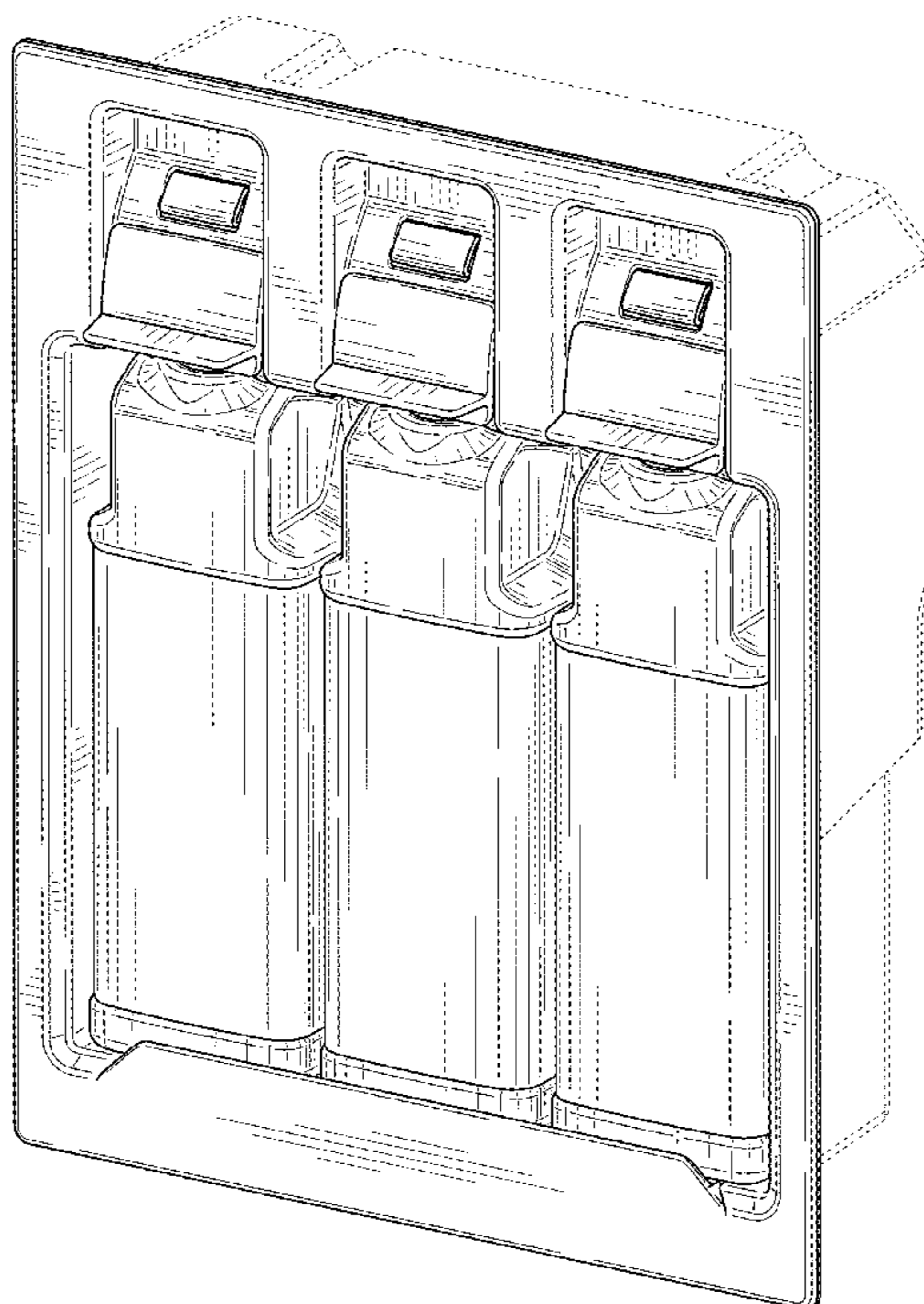
FIG. 5 is a left side view thereof.

FIG. 6 is a top view thereof; and,

FIG. 7 is a bottom view thereof.

The broken lines throughout the drawings depict portions of the dosing system for wastewater management system of a recreational vehicle that form no part of the claimed design.

**1 Claim, 5 Drawing Sheets**



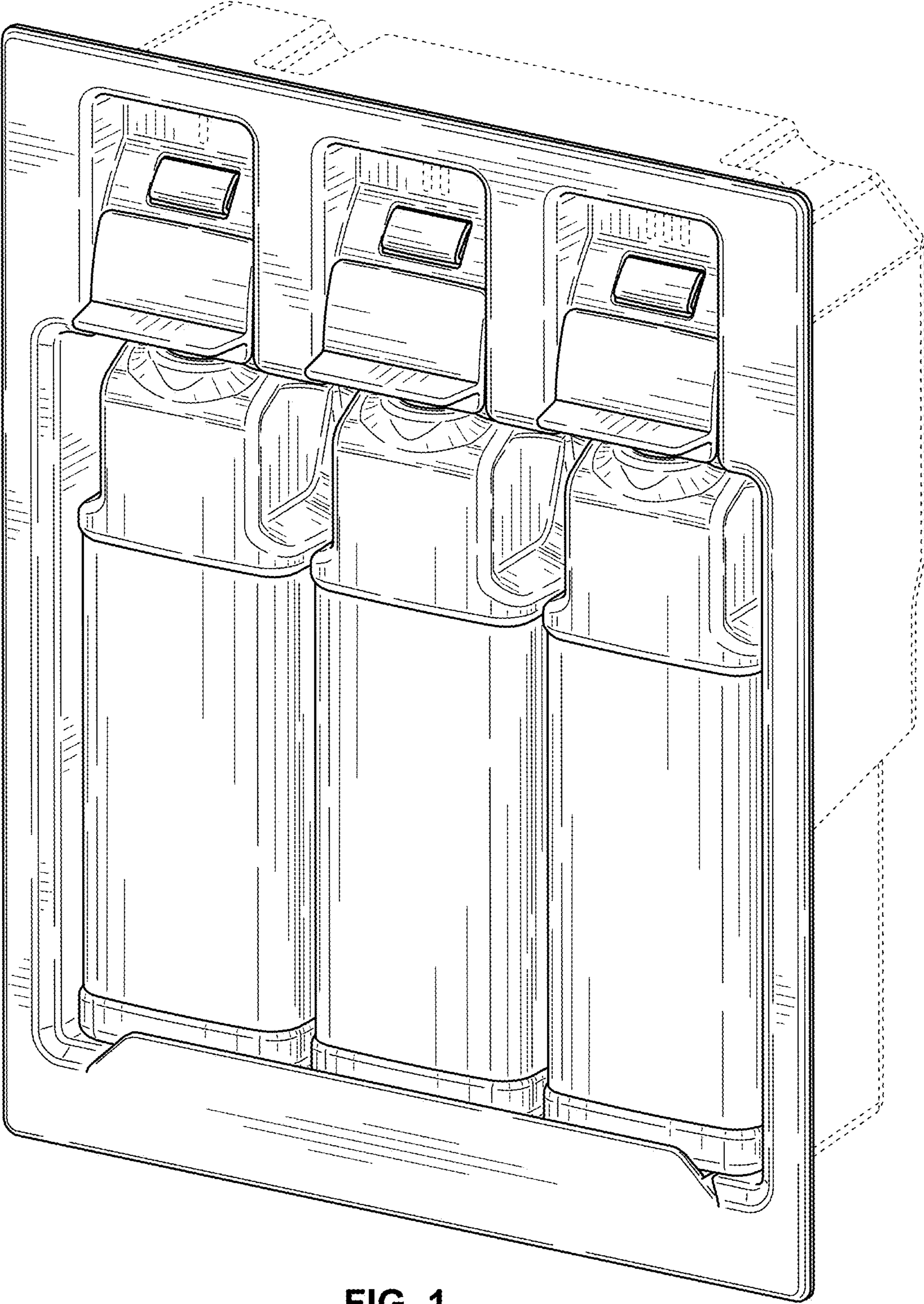


FIG. 1

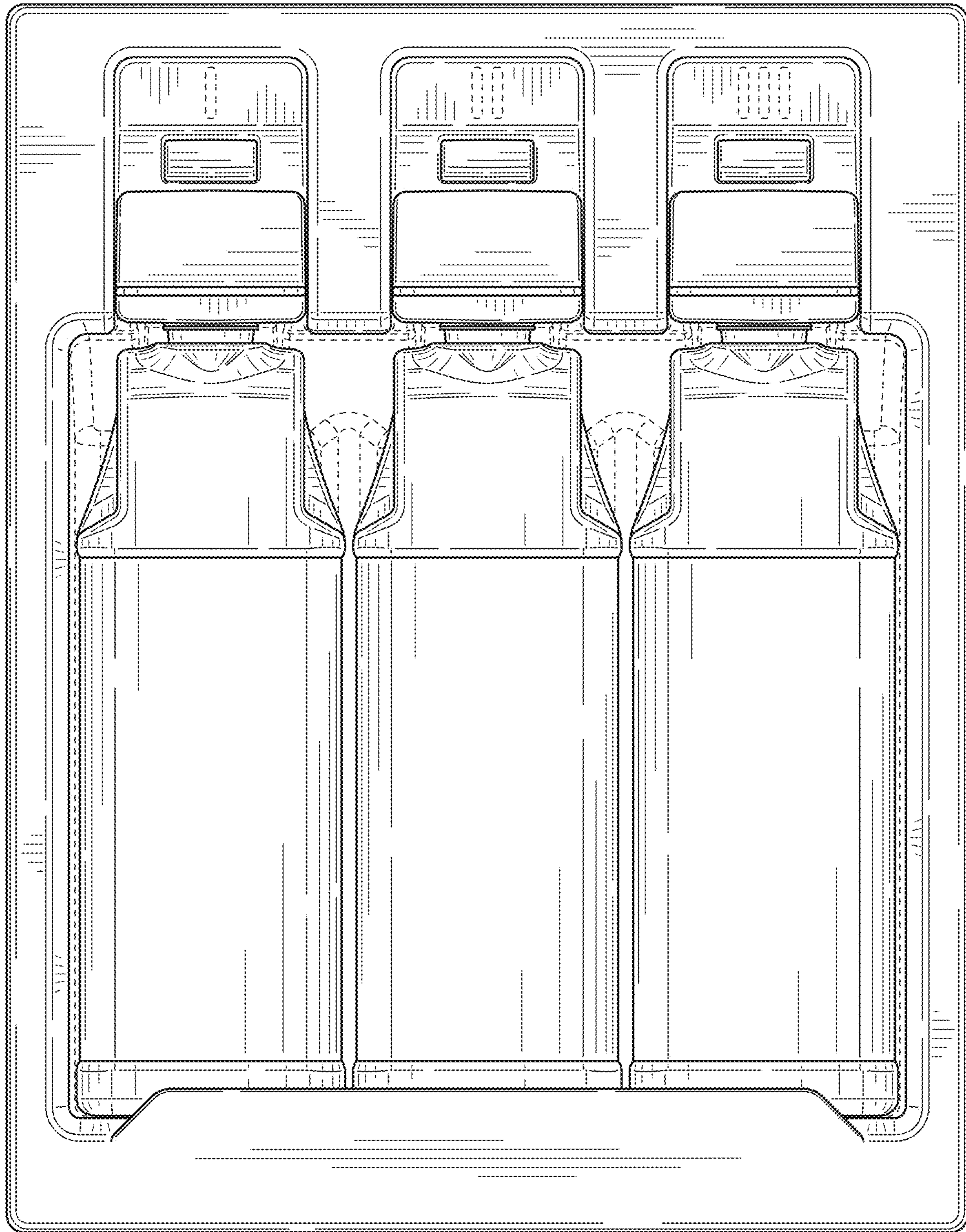


FIG. 2

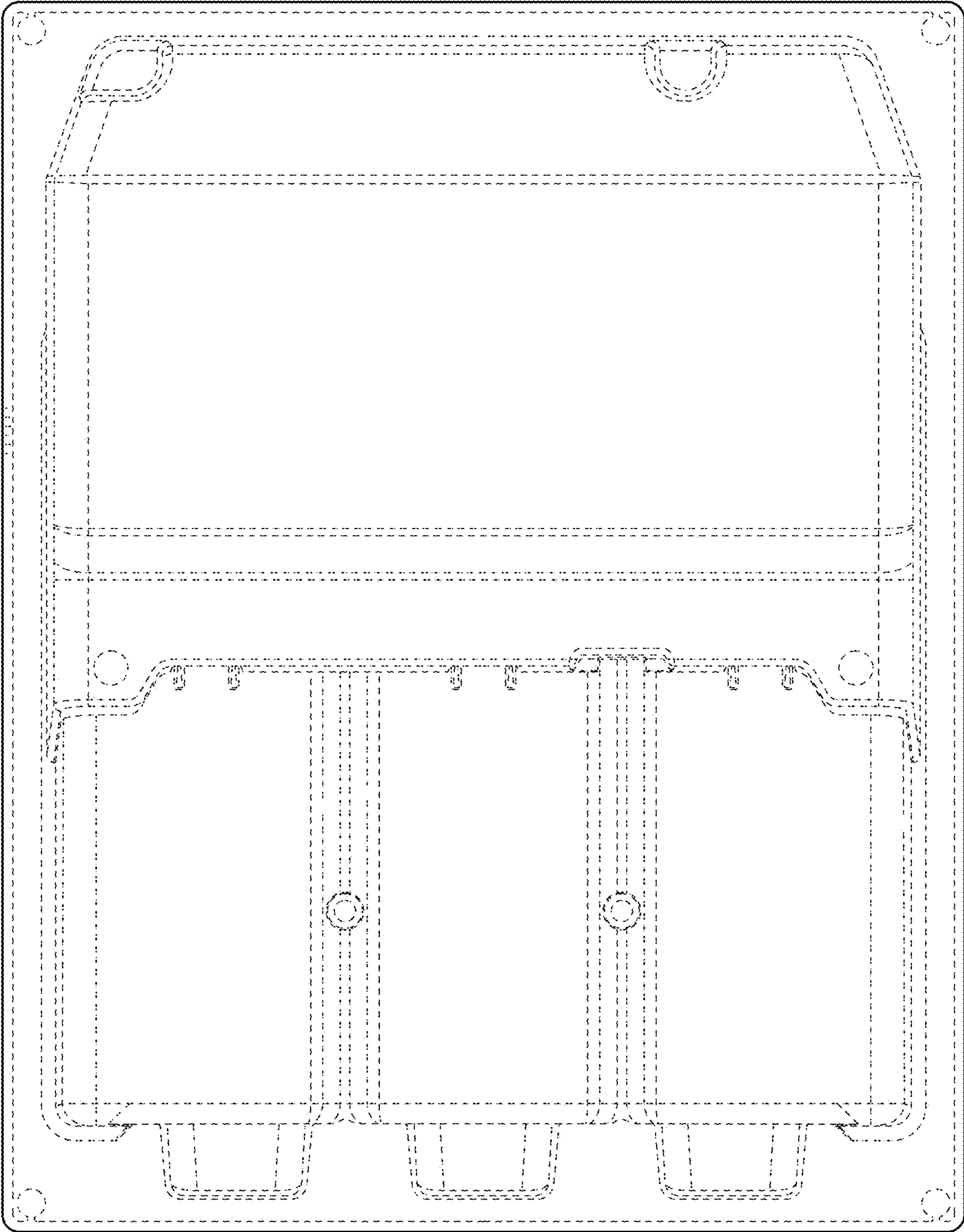


FIG. 3

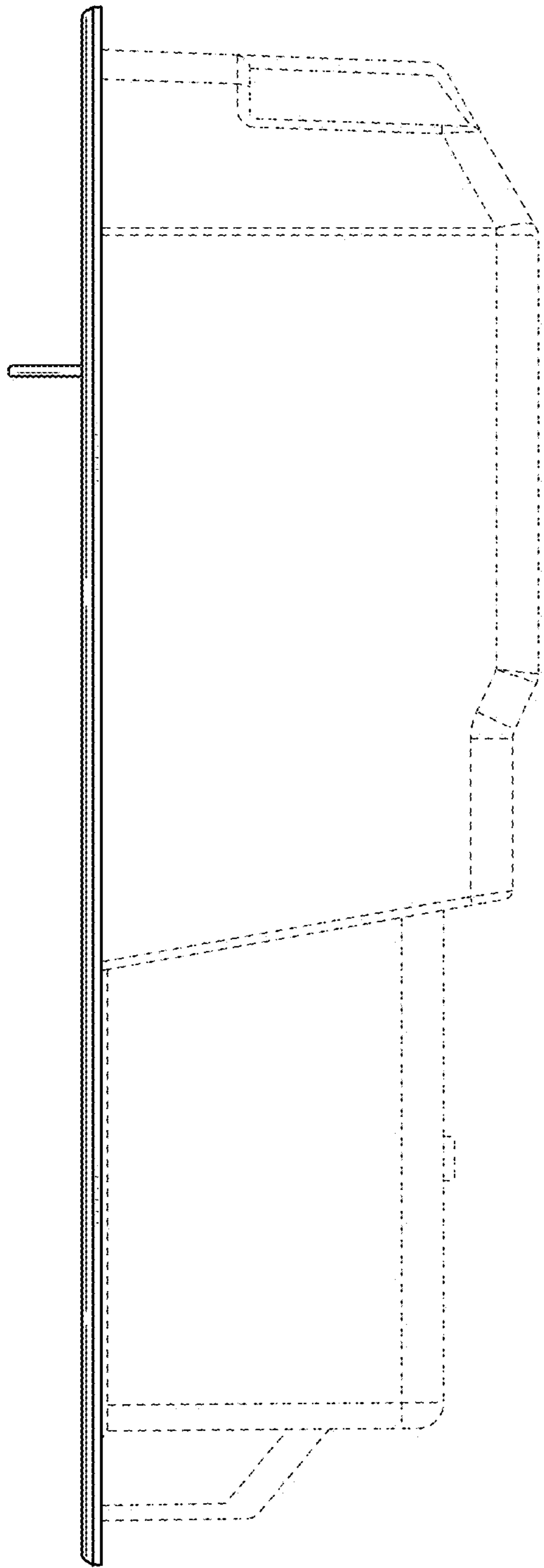


FIG. 4

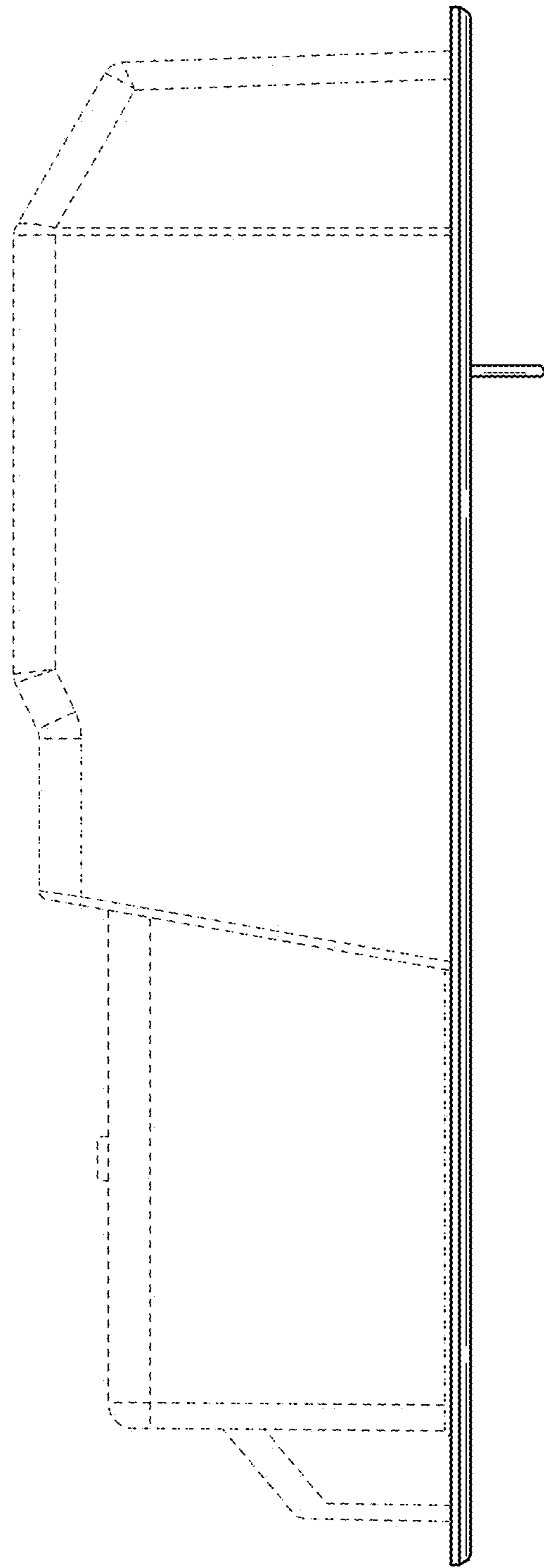


FIG. 5

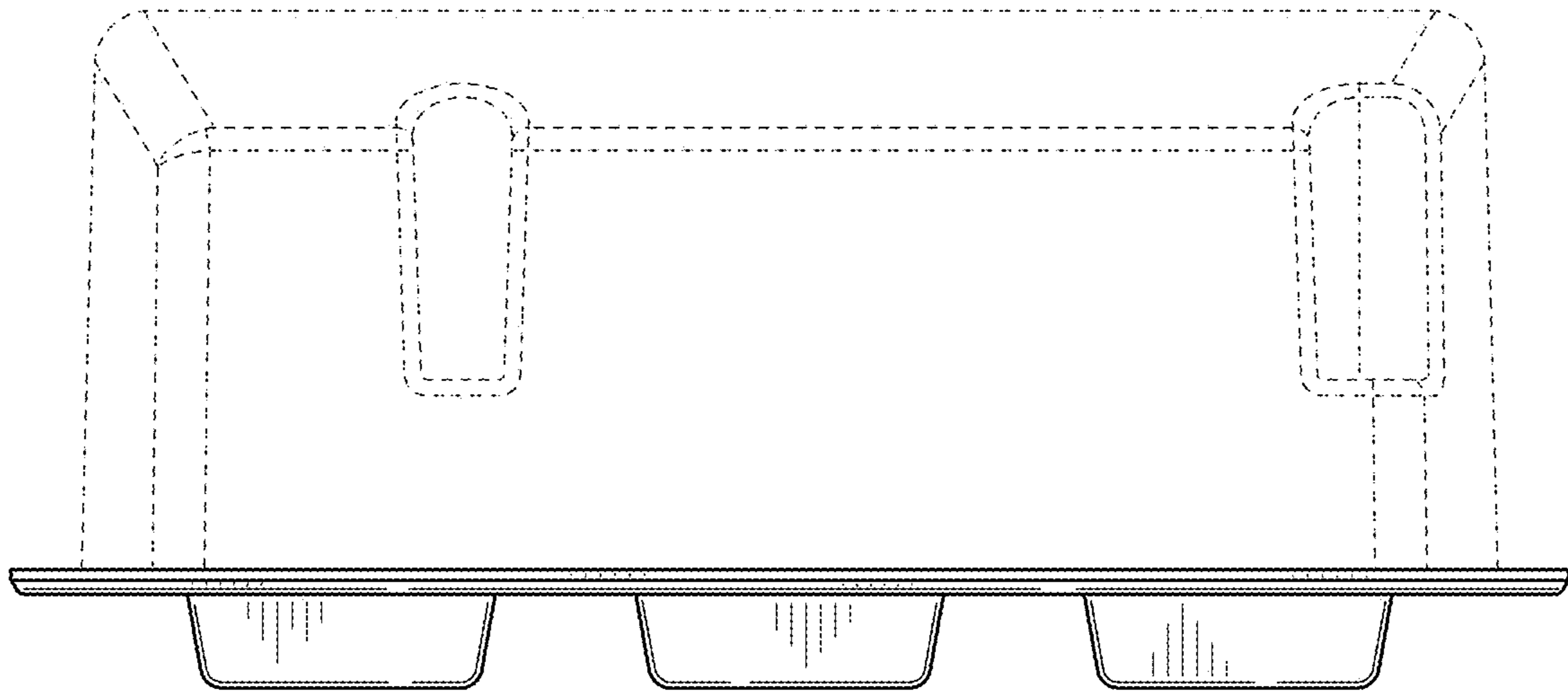


FIG. 6

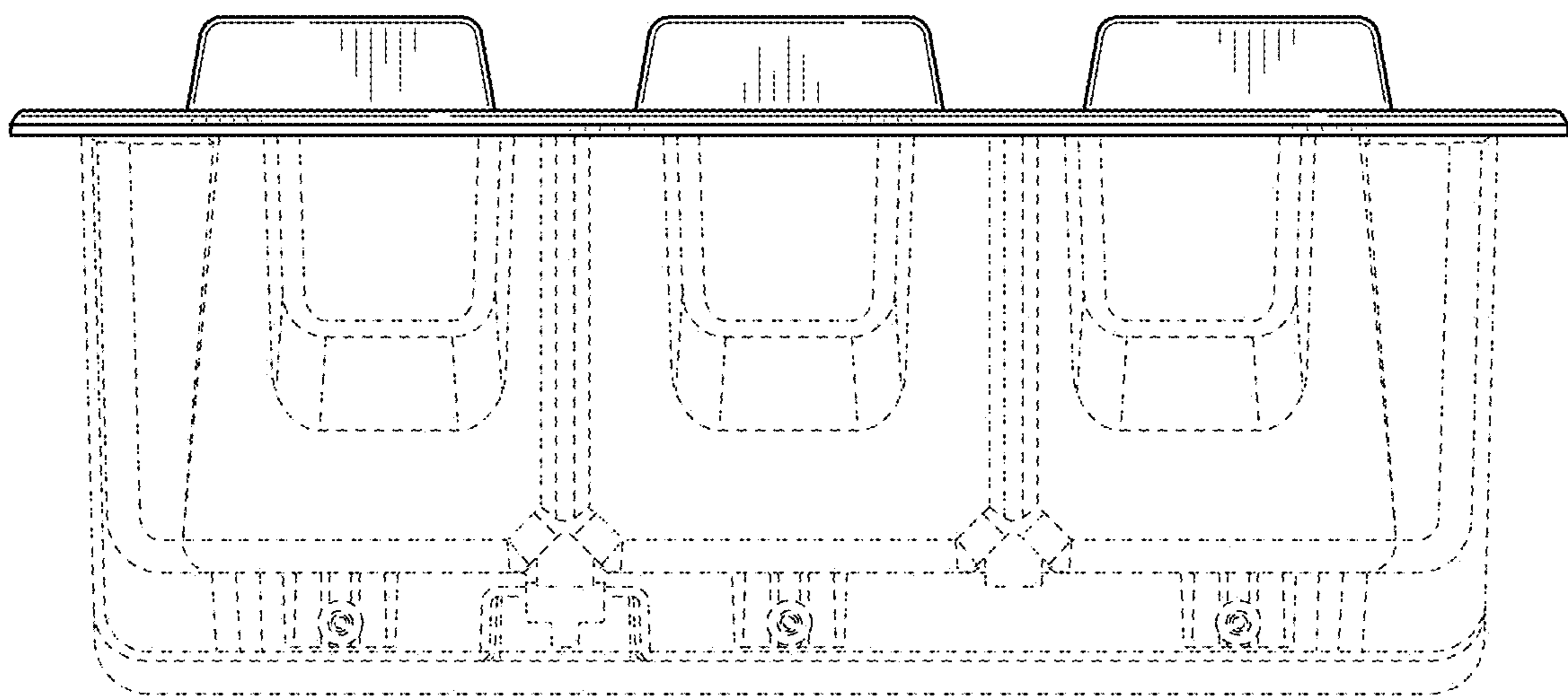


FIG. 7